

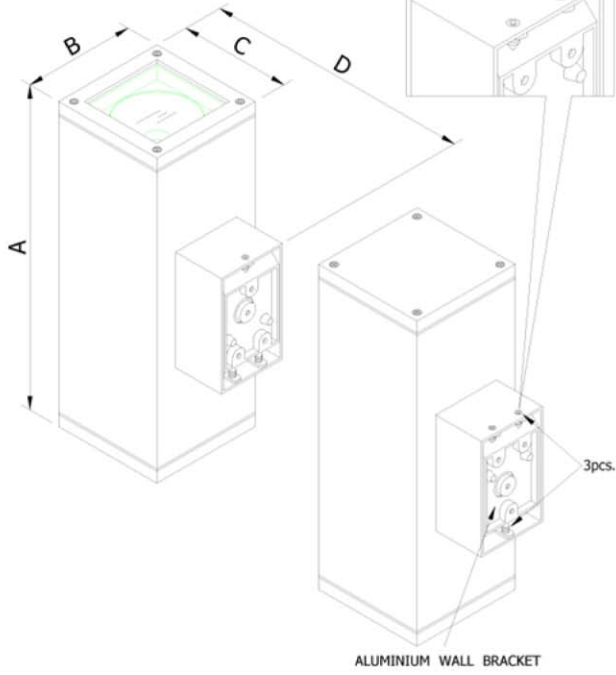
# INSTRUCTION MANUAL FOR DL-3120



1

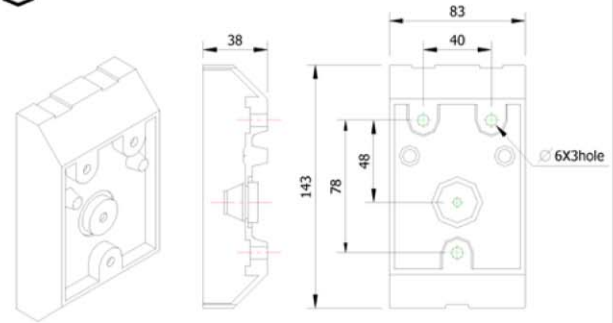
DIMENSION

	A	B	C	D
OD - 5101	430	150	150	225



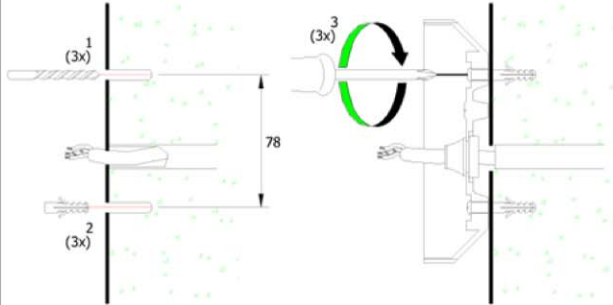
2

ALUMINIUM WALL BRACKET

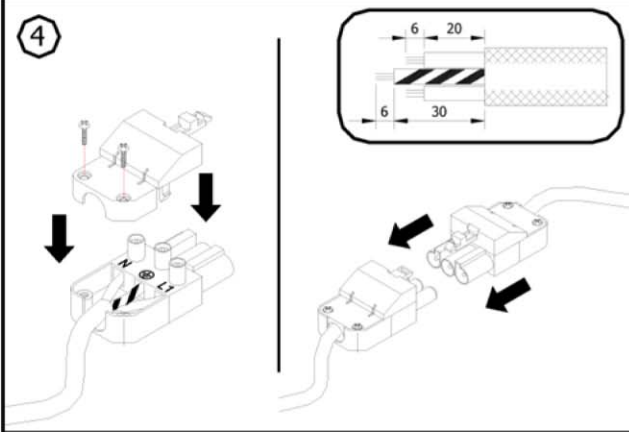


All Dimension are in millimeter

3



4



Applicable lamp :

1	230V 50Hz MAX HIT 2X70W

REMARK :

- 1 INSTALLATION SHOULD BE CARRIED OUT BY A QUALIFIED ELECTRICIAN IN ACCORDANCE WITH APPROPRIATE NATIONAL WIRING REGULATION.
- 2 DISCONNECT THE POWER BEFORE CHANGING THE LAMP.
- 3 THIS IS CLASS 1 LIGHTING FIXTURE AND MUST BE EARTHED.
- 4 DO NOT EXCEED THE MAXIMUM WATTAGE.



5

