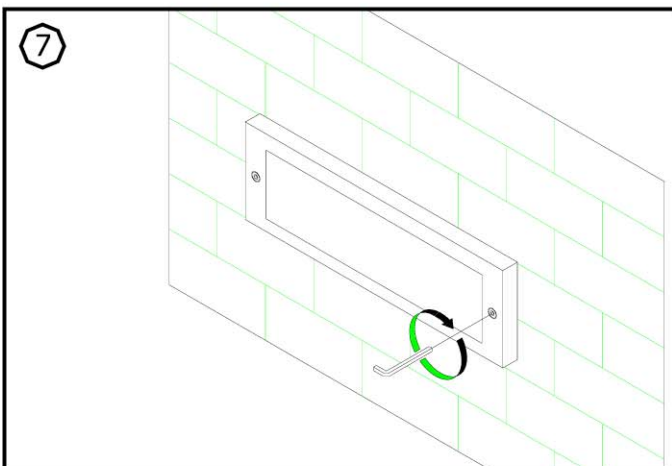
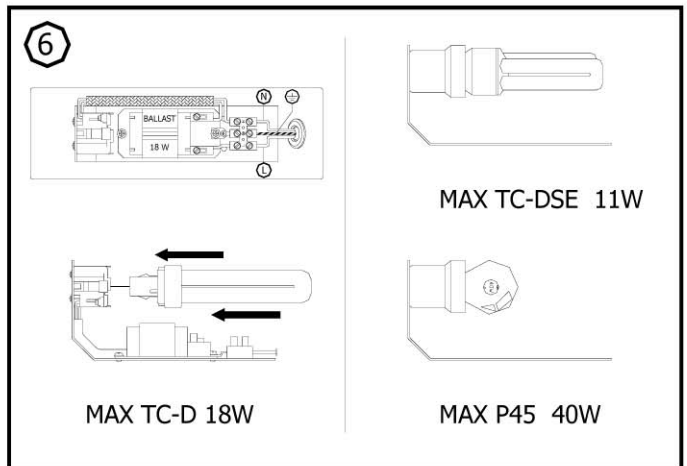
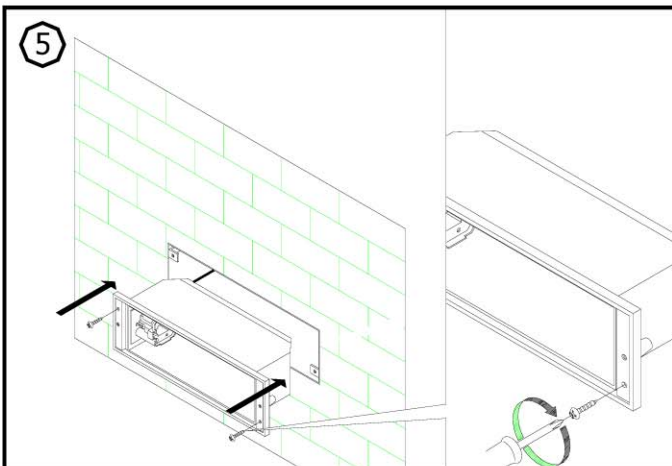
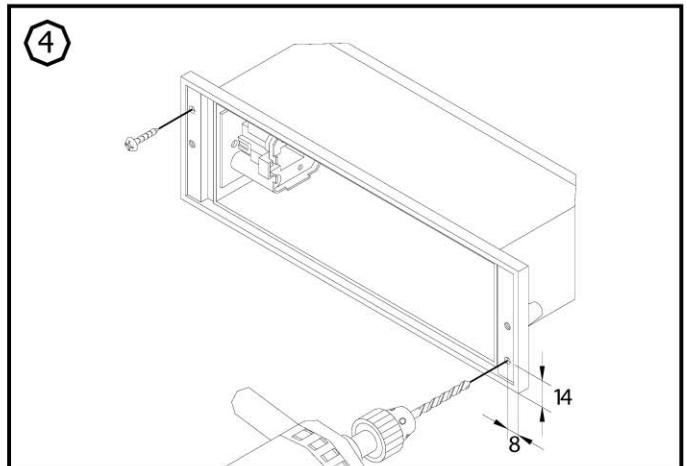
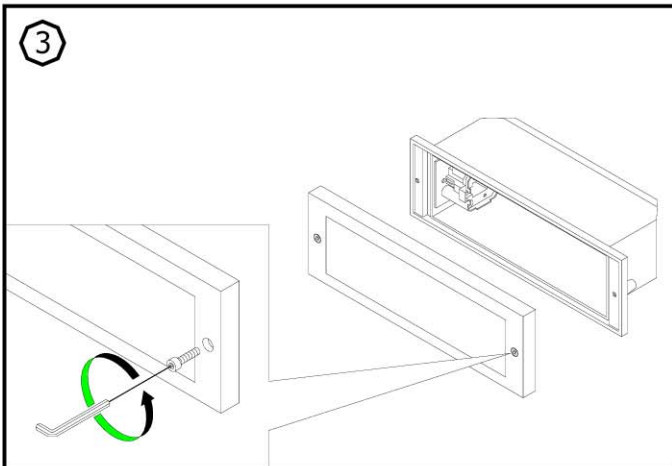
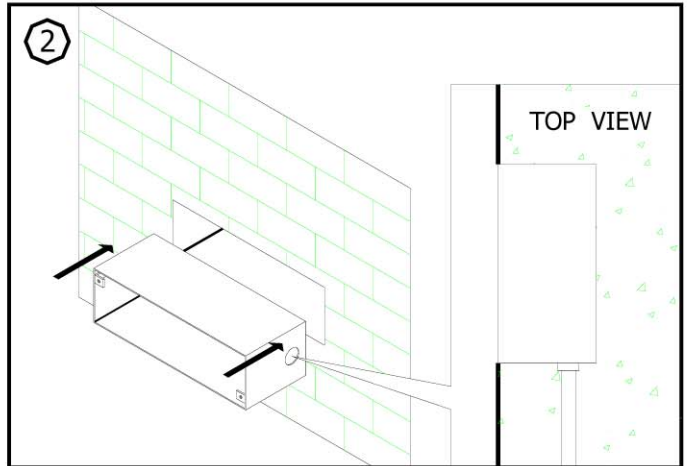
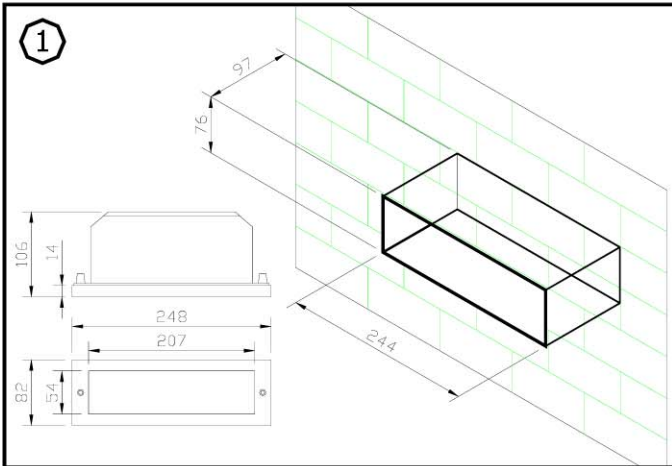


INSTRUCTION MANUAL FOR DL-3501



Applicable lamp :

- 230V 50Hz MAX TC-D 18W
- 230V 50Hz MAX TC-DSE 11W
- 230V 50Hz MAX P45 40W

REMARK :

- 1 INSTALLATION SHOULD BE CARRIED OUT BY A QUALIFIED ELECTRICIAN IN ACCORDANCE WITH APPROPRIATE NATIONAL WIRING REGULATION.
- 2 DISCONNECT THE POWER BEFORE CHANGING THE LAMP.
- 3 THIS IS CLASS 1 LIGHTING FIXTURE AND MUST BE EARTHED.
- 4 DO NOT EXCEED THE MAXIMUM WATTAGE.

