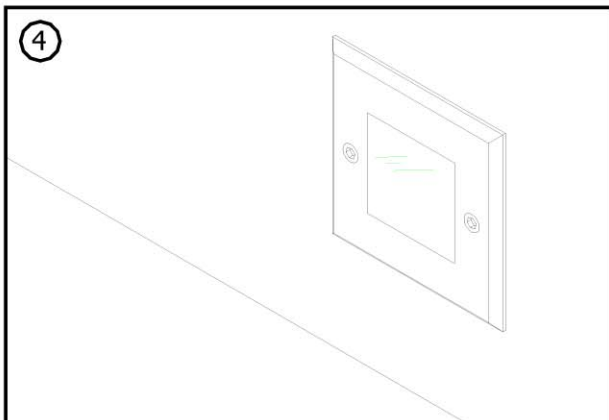
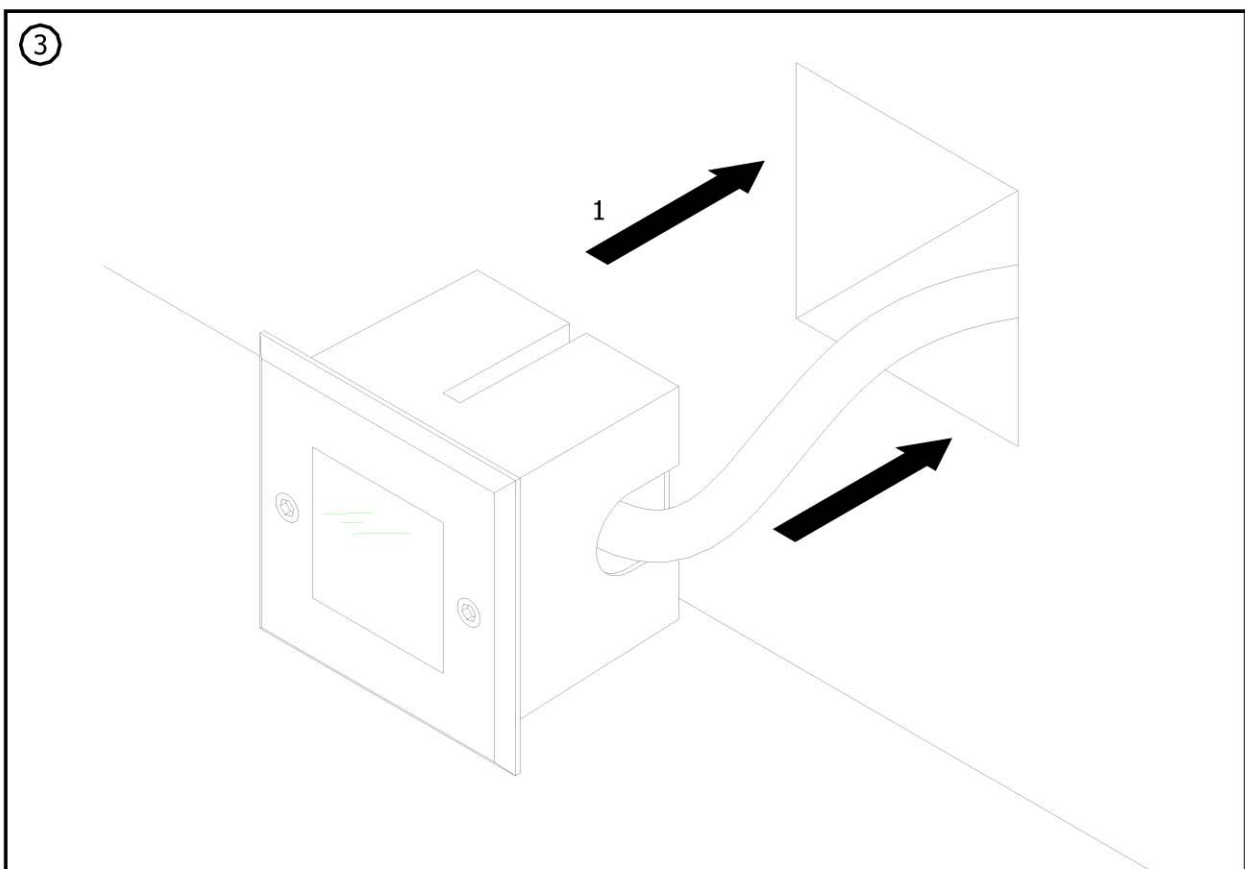
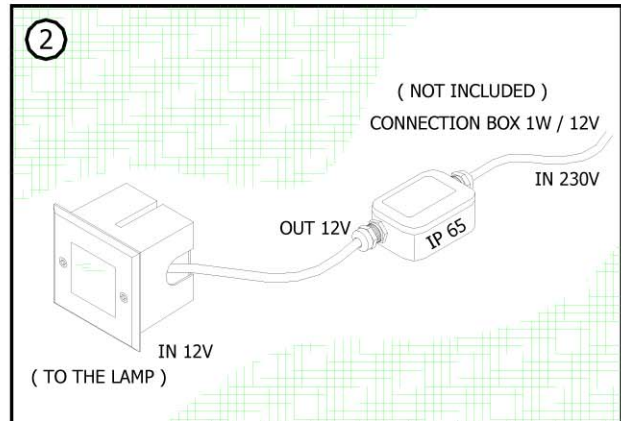
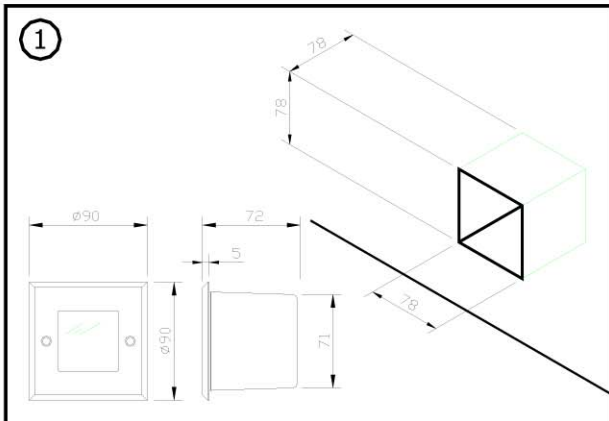


INSTRUCTION MANUAL FOR DL-3710



Applicable lamp :

1	12V 50Hz MAX LED 1W

REMARK :

1. INSTALLATION SHOULD BE CARRIED OUT BY A QUALIFIED ELECTRICIAN IN ACCORDANCE WITH APPROPRIATE NATIONAL WIRING REGULATION.
2. DISCONNECT THE POWER BEFORE CHANGING THE LAMP.
3. THIS IS CLASS 3 LIGHTING FIXTURE (SAFETY EXTRA - LOW VOLTAGE)
4. DO NOT EXCEED THE MAXIMUM WATTAGE.

