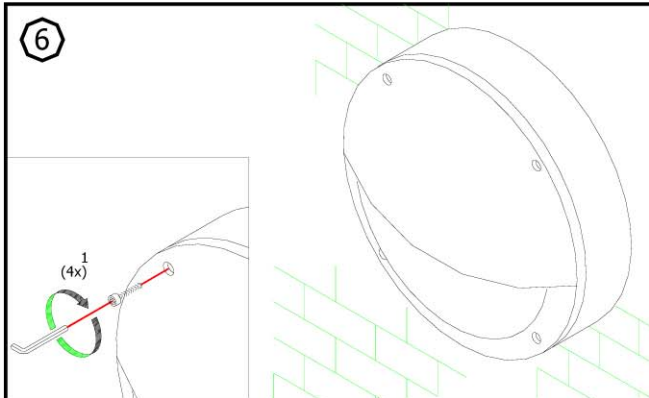
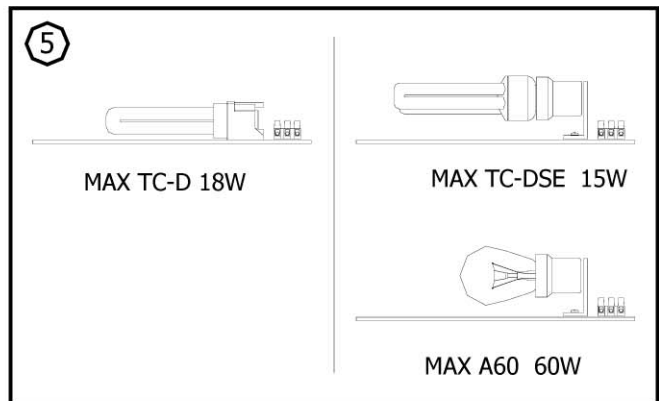
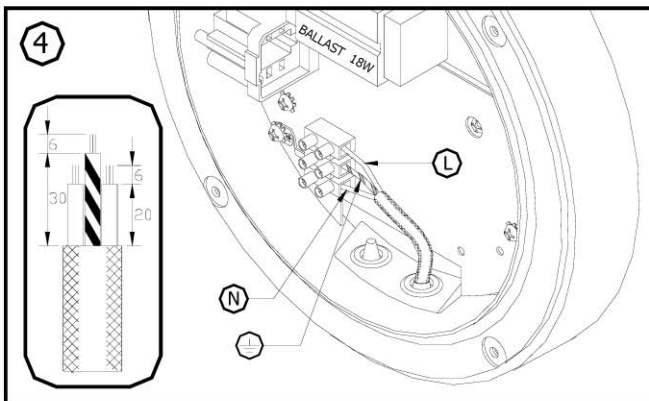
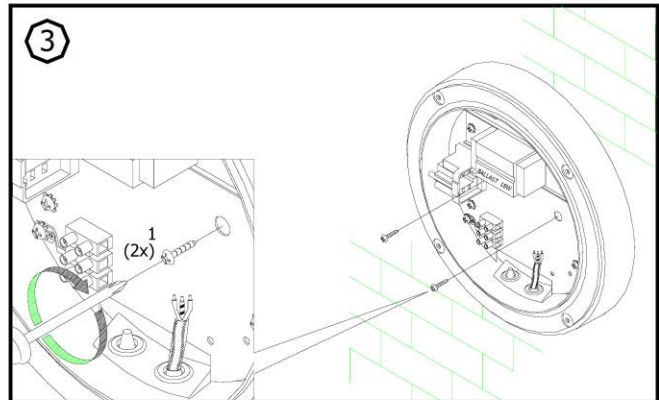
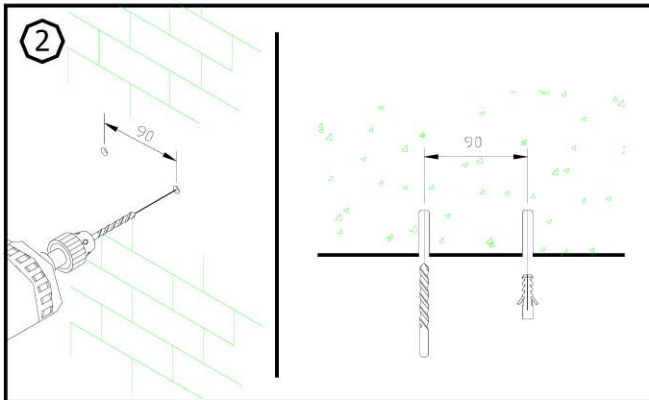
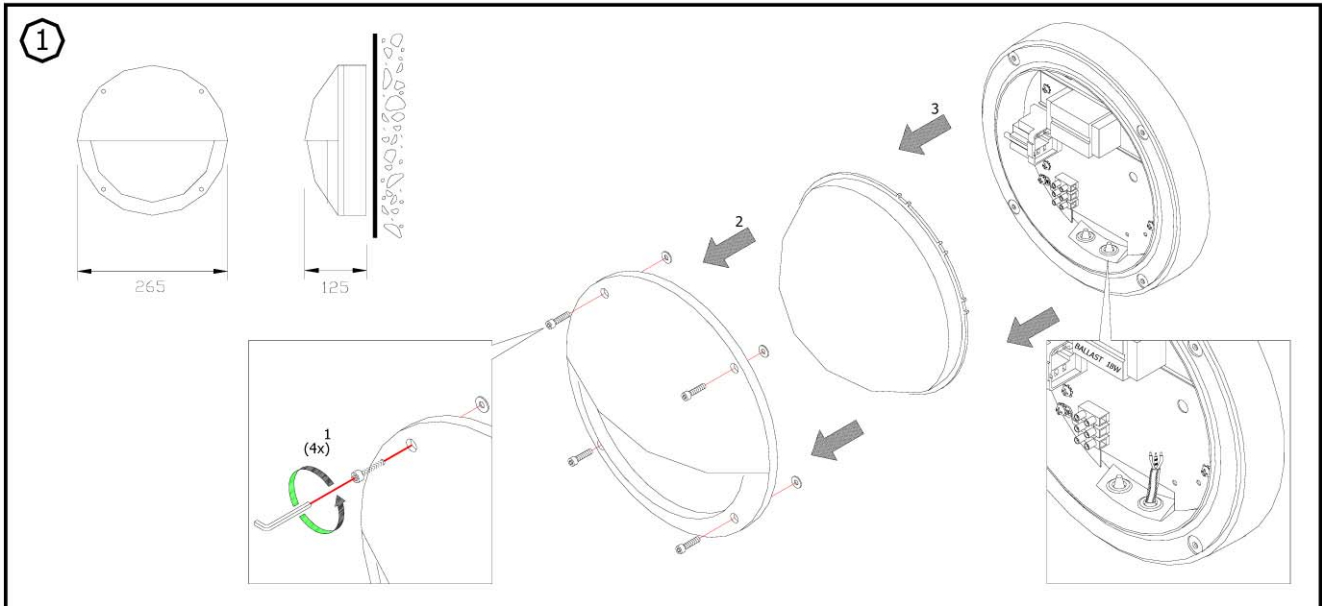


INSTRUCTION MANUAL FOR DL-3931



Applicable lamp :

230V 50Hz MAX TC-D 18W

230V 50Hz MAX TC-DSE 15W

230V 50Hz MAX A60 60W

REMARK :

1 INSTALLATION SHOULD BE CARRIED OUT BY A QUALIFIED ELECTRICIAN IN ACCORDANCE WITH APPROPRIATE NATIONAL WIRING REGULATION.

2 DISCONNECT THE POWER BEFORE CHANGING THE LAMP.

3 THIS IS CLASS 1 LIGHTING FIXTURE AND MUST BE EARTHED.

4 DO NOT EXCEED THE MAXIMUM WATTAGE.

