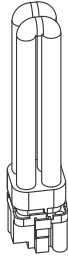


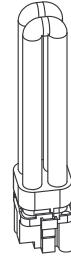
INSTALLATION MANUAL



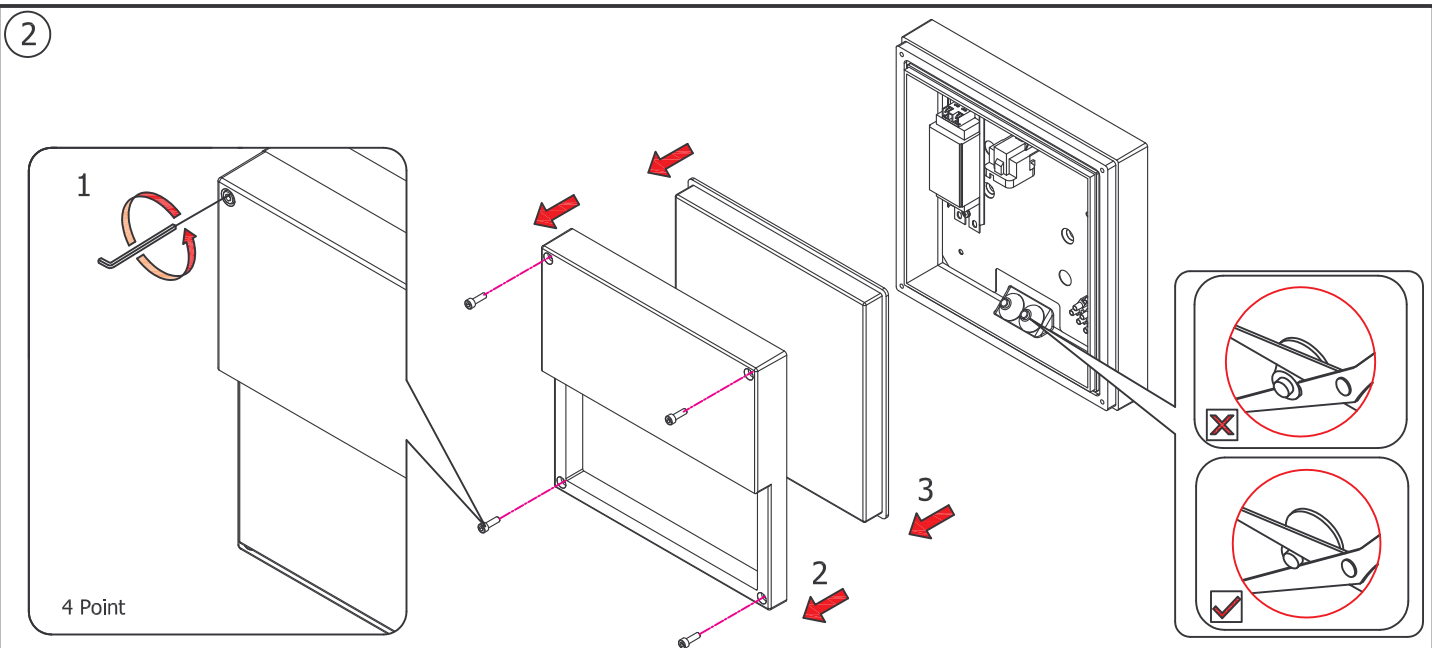
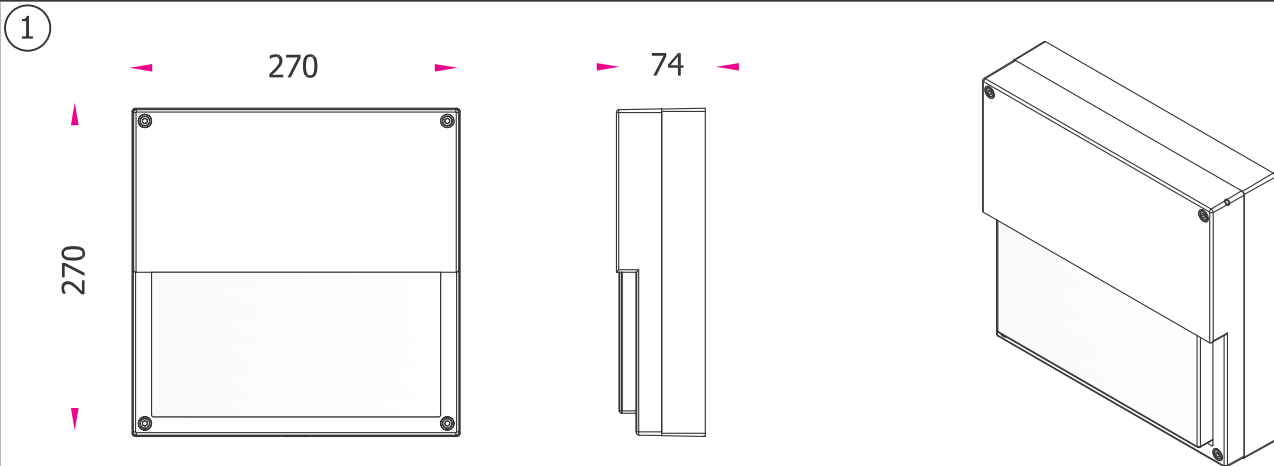
| No. | Applicable lamp |
|-----|------------------------|
| 1. | 230V 50Hz MAX TC-D 18W |
| 2. | 230V 50Hz MAX TC-D 26W |
| | |
| | |
| | |
| | |
| | |
| | |
| | |

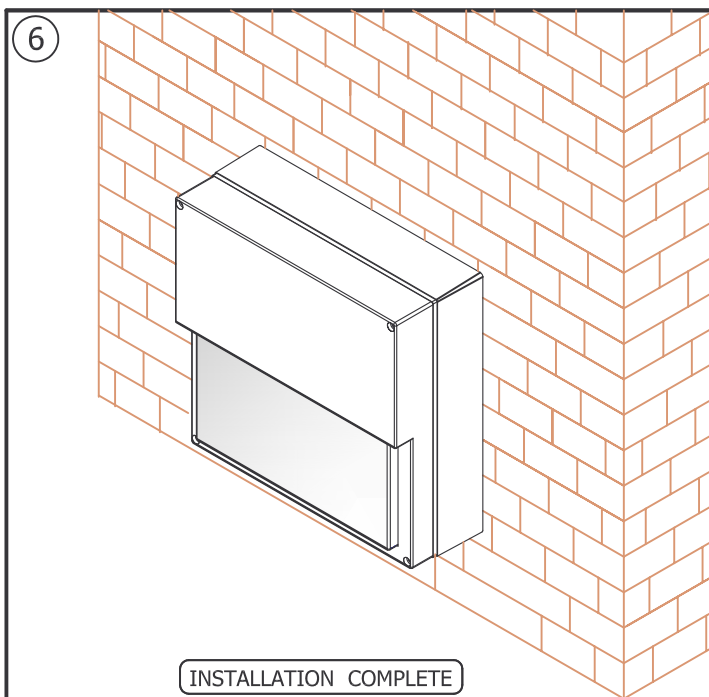
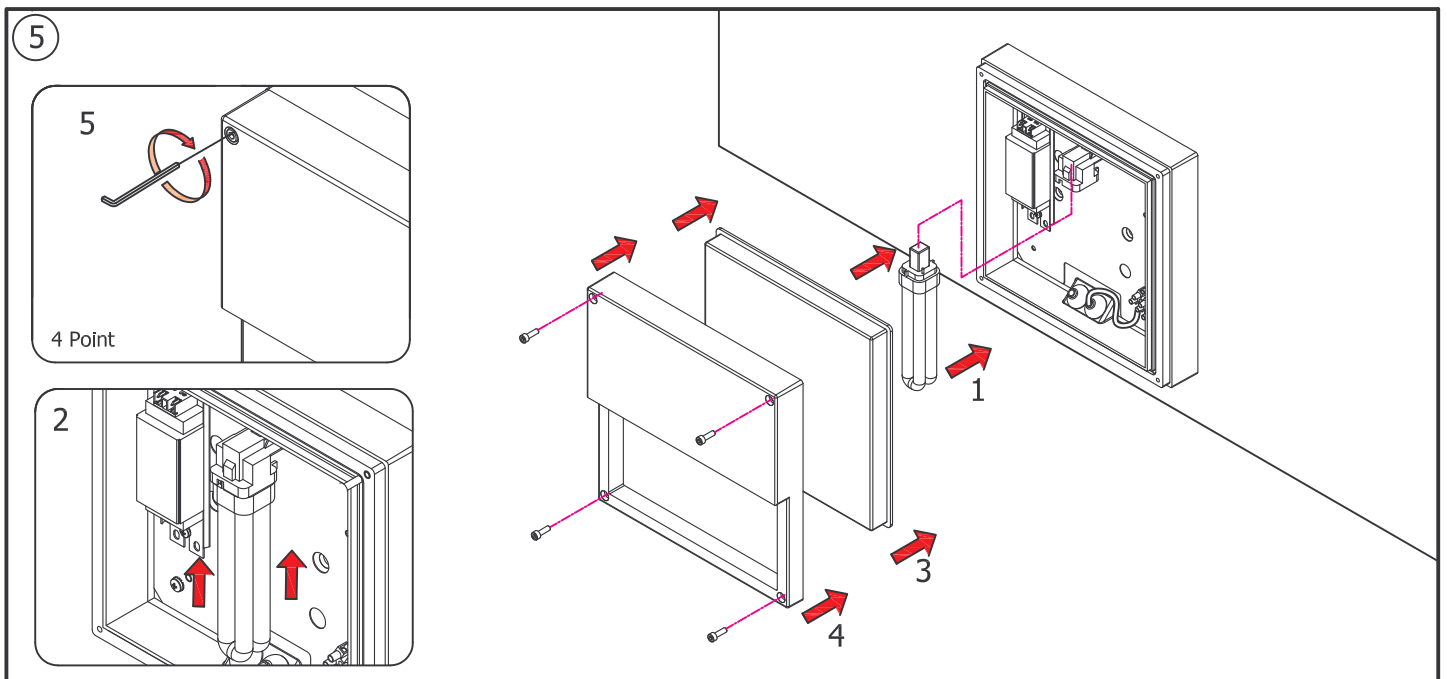
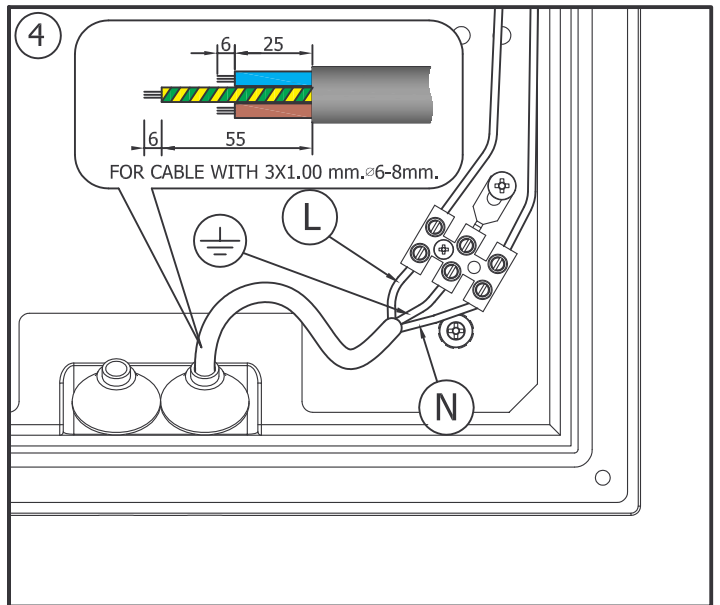
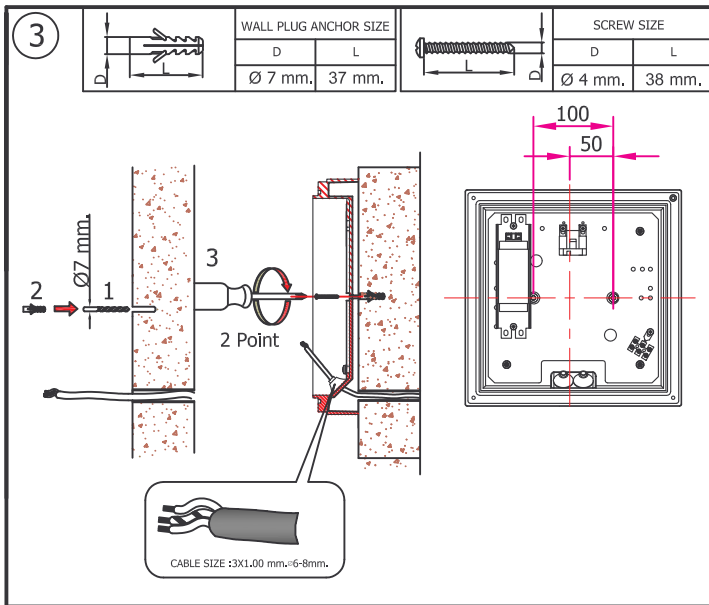


①
Compact fluorescent Lamp
G24d-2



②
Compact fluorescent Lamp
G24d-3





REMARK :

1. INSTALLATION SHOULD BE CARRIED OUT BY A QUALIFIED ELECTRICIAN IN ACCORDANCE WITH APPROPRIATE NATIONAL WIRING REGULATION.
2. DISCONNECT THE POWER BEFORE CHANGING THE LAMP.
3. THIS IS CLASS 1 LIGHTING FIXTURE AND MUST BE EARTHED.
4. DO NOT EXCEED THE MAXIMUM WATTAGE.

WARNING

1. THE MANUFACTURER WILL NOT BE LIABLE OR HELD RESPONSIBLE FOR ANY INCORRECT INSTALLATION , MISUSE OR IMPROPER USE AND UNAUTHORISED MODIFICATION ON THE FITTINGS. FAILURE TO COMPLY WITH MENTIONED WARNING MAY CAUSED SERIOUS DAMAGE OR SERIOUS INJURY TO THE PERSONS ANIMALS OR OBJECTS . IN CASE OF MODIFICATION IS REQUIRED PLEASE CONSULT YOU DEALER FOR THE DETAILS.
2. IN CASE OF DAMAGE HAS OCCURED TO THE FITTINGS,PLEASE MAKE THE REPLACEMENT WITH STANDARD PART(S) BEFORE USE.