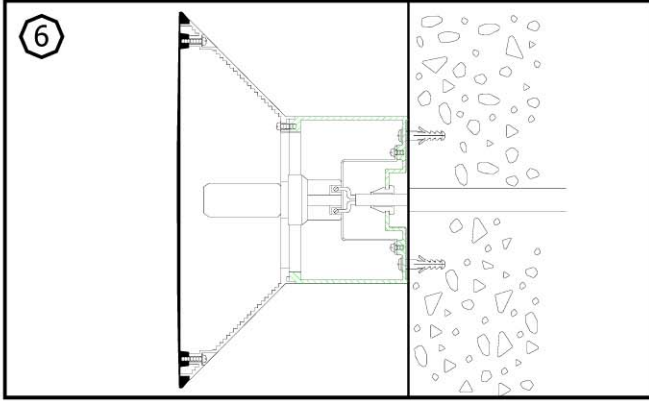
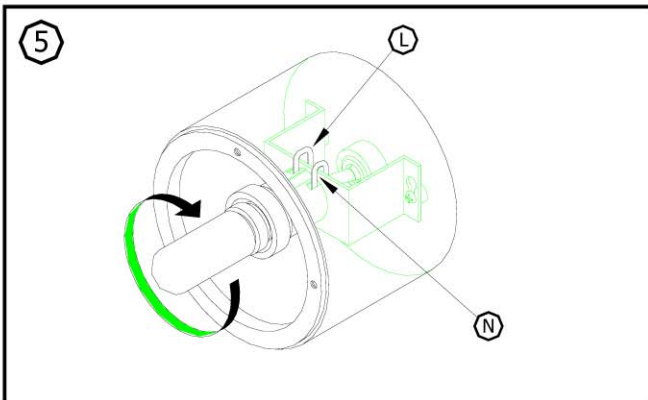
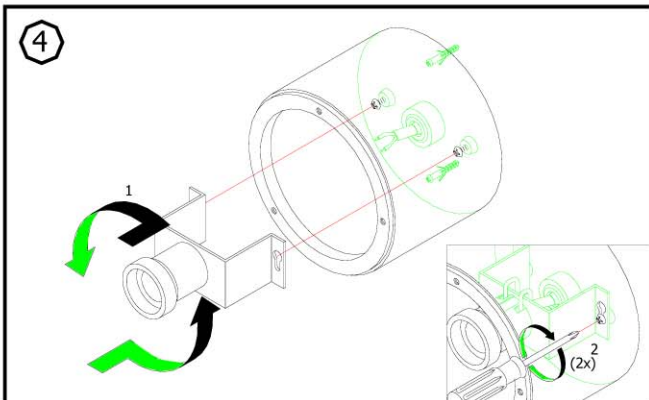
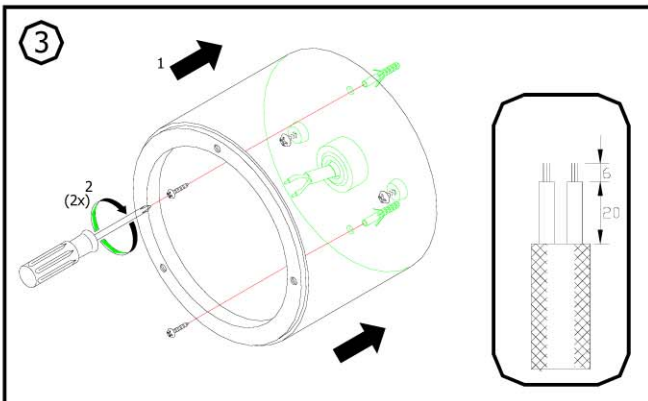
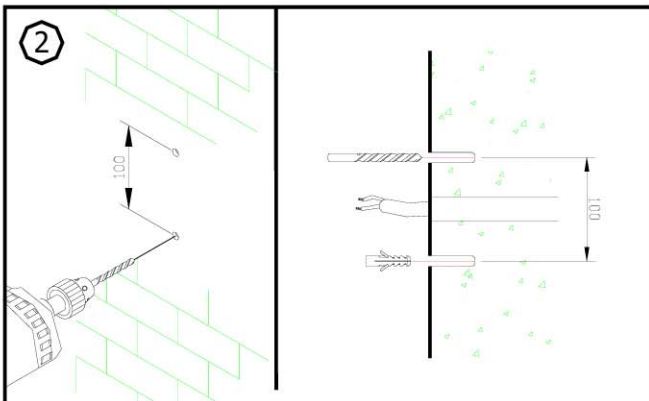
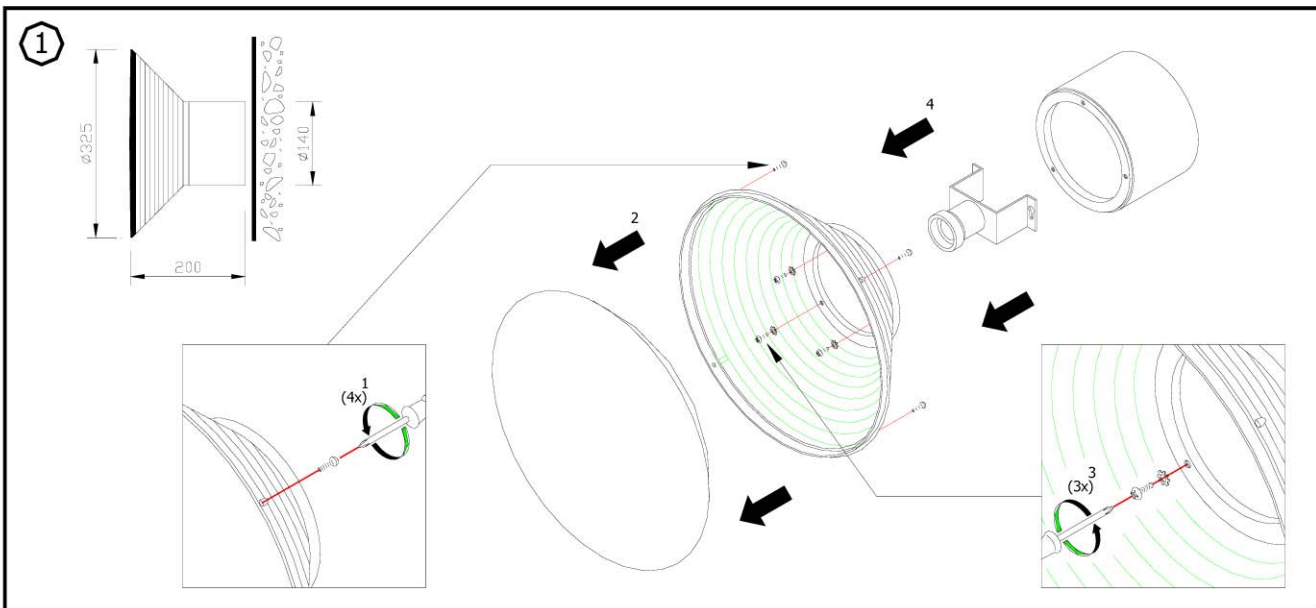


INSTRUCTION MANUAL FOR DL-3991



Applicable lamp :

1	230V 50Hz MAX QT32 60W

- REMARK :
- 1 INSTALLATION SHOULD BE CARRIED OUT BY A QUALIFIED ELECTRICIAN IN ACCORDANCE WITH APPROPRIATE NATIONAL WIRING REGULATION.
  - 2 DISCONNECT THE POWER BEFORE CHANGING THE LAMP.
  - 3 THIS IS CLASS 1 LIGHTING FIXTURE AND MUST BE EARTHED.
  - 4 DO NOT EXCEED THE MAXIMUM WATTAGE.

