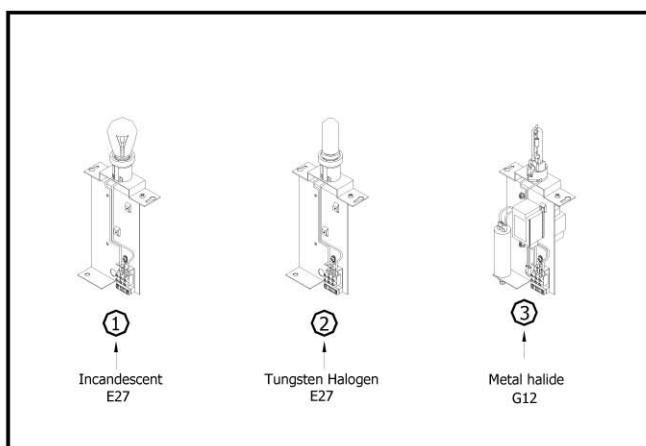
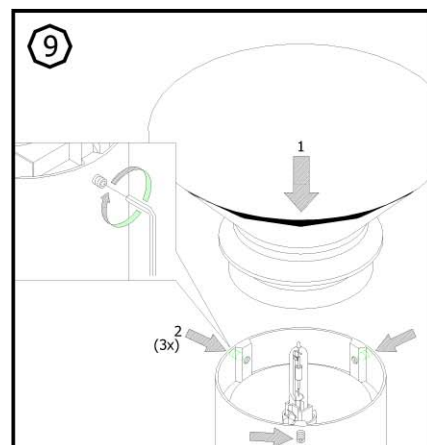
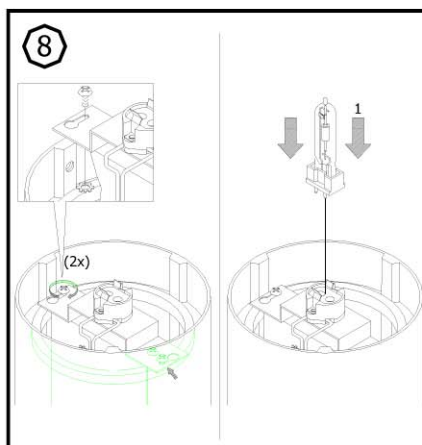
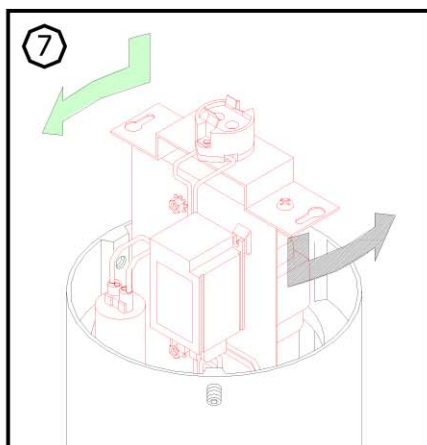
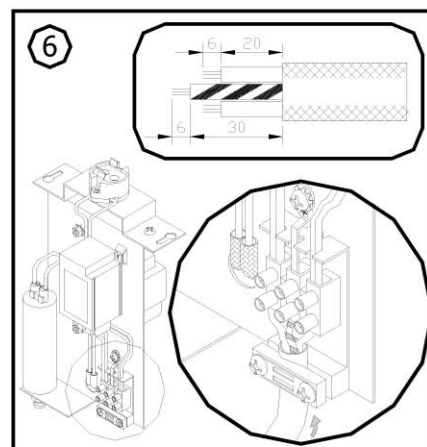
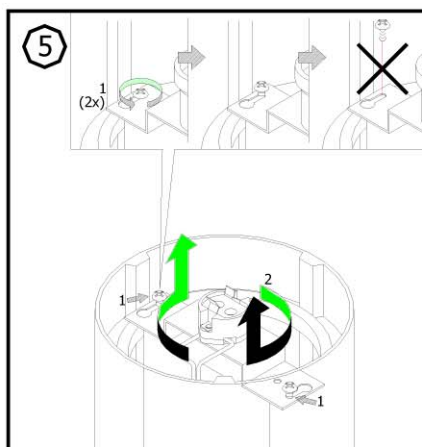
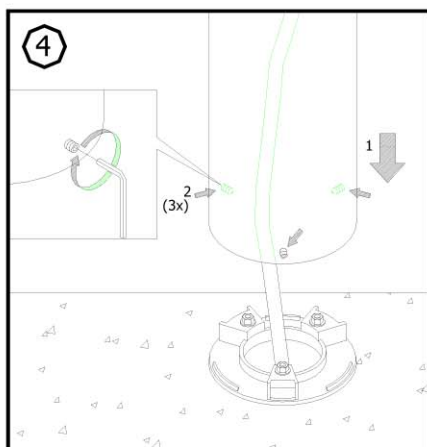
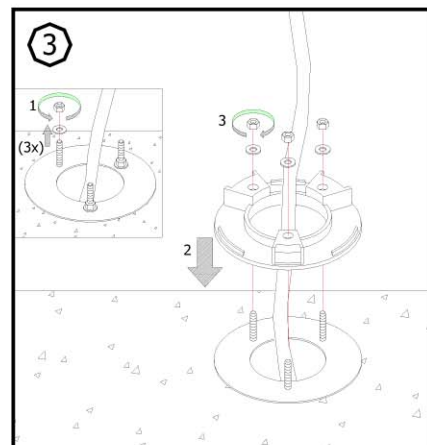
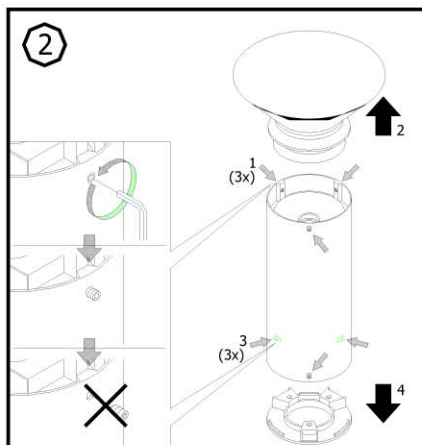
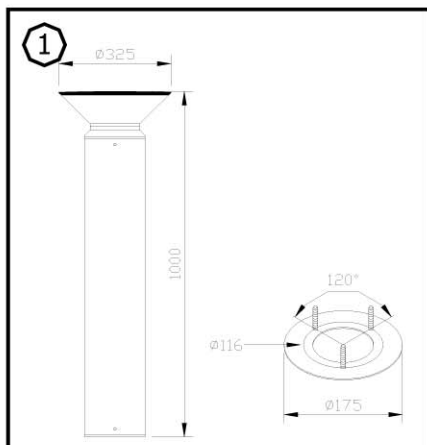


# INSTRUCTION MANUAL FOR DL-4050



IP54



## Applicable lamp :

- |   |                         |
|---|-------------------------|
| 1 | 230V 50Hz MAX A60 100W  |
| 2 | 230V 50Hz MAX QT32 100W |
| 3 | 230V 50Hz MAX HIT 35W   |

## REMARK :

- 1 INSTALLATION SHOULD BE CARRIED OUT BY A QUALIFIED ELECTRICIAN IN ACCORDANCE WITH APPROPRIATE NATIONAL WIRING REGULATION.
- 2 DISCONNECT THE POWER BEFORE CHANGING THE LAMP.
- 3 THIS IS CLASS 1 LIGHTING FIXTURE AND MUST BE EARTHED.
- 4 DO NOT EXCEED THE MAXIMUM WATTAGE.

**ilmax**