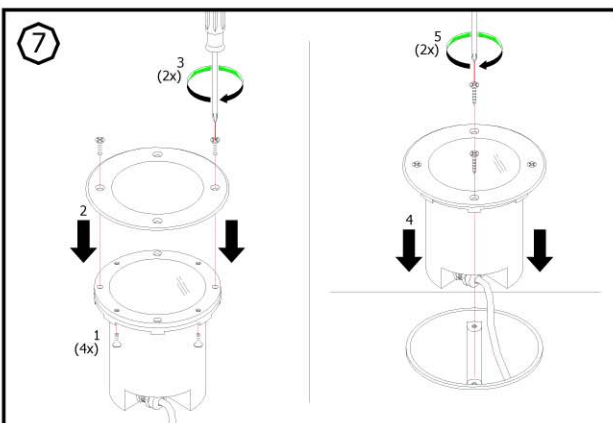
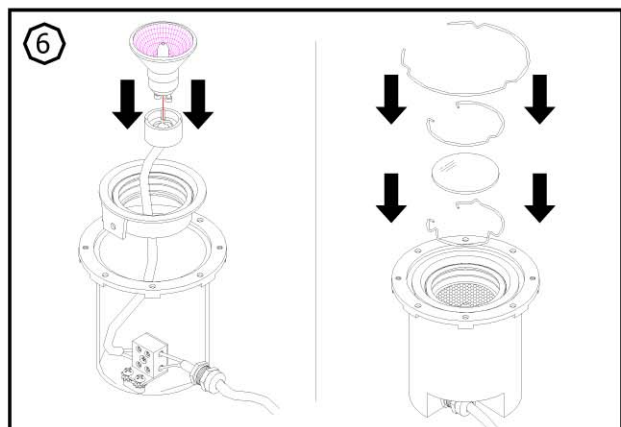
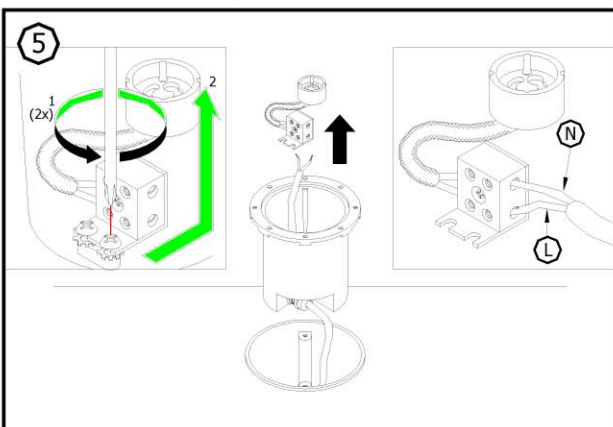
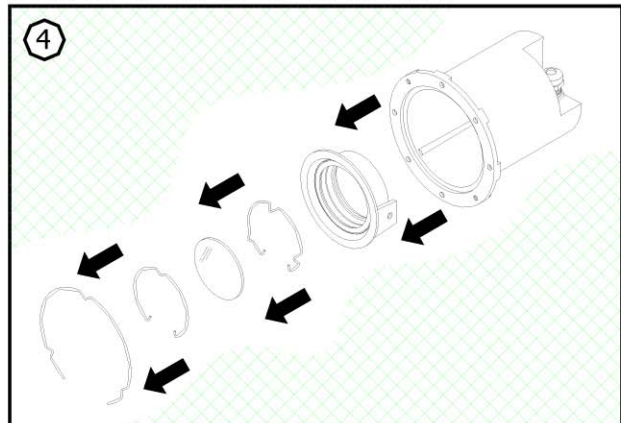
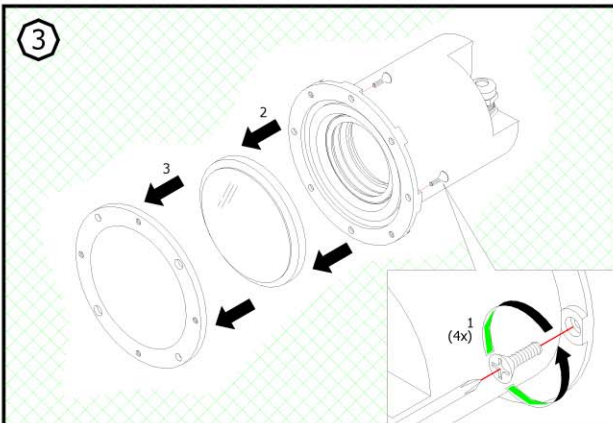
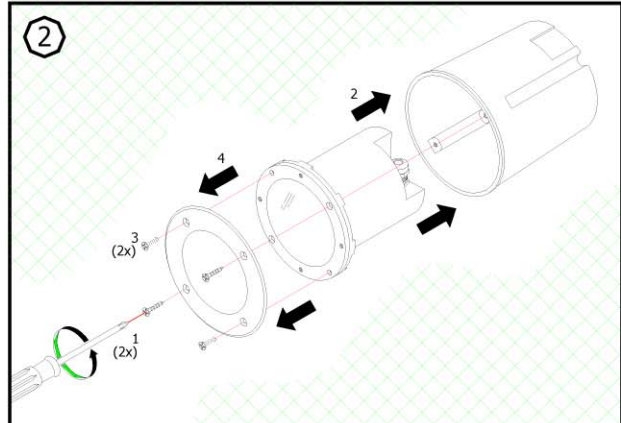
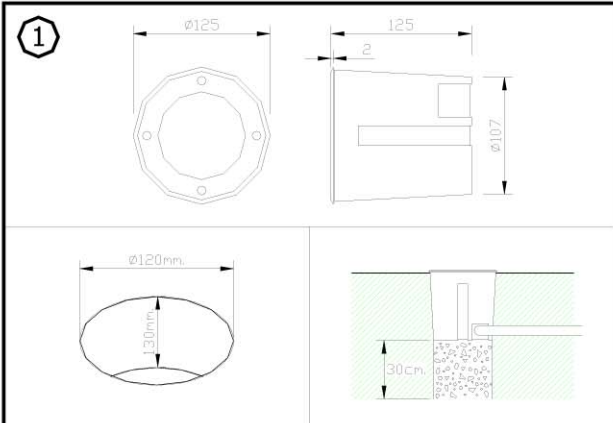


INSTRUCTION MANUAL FOR DL-5201



Applicable lamp :

1	12V 50W MAX QPAR16 25°
2	12V 50W MAX QPAR16 50°

REMARK :

- 1 INSTALLATION SHOULD BE CARRIED OUT BY A QUALIFIED ELECTRICIAN IN ACCORDANCE WITH APPROPRIATE NATIONAL WIRING REGULATION.
- 2 DISCONNECT THE POWER BEFORE CHANGING THE LAMP.
- 3 THIS IS CLASS 3 LIGHTING FIXTURE (SAFETY EXTRA - LOW VOLTAGE)
- 4 DO NOT EXCEED THE MAXIMUM WATTAGE.

