

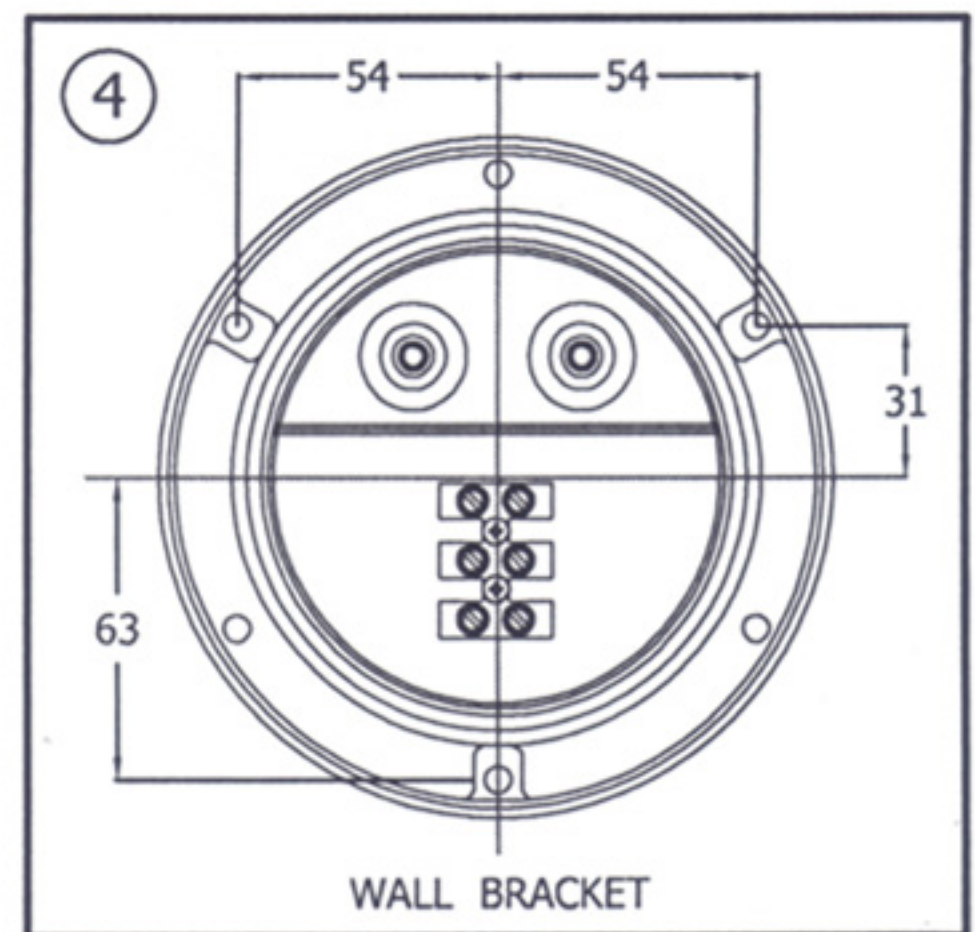
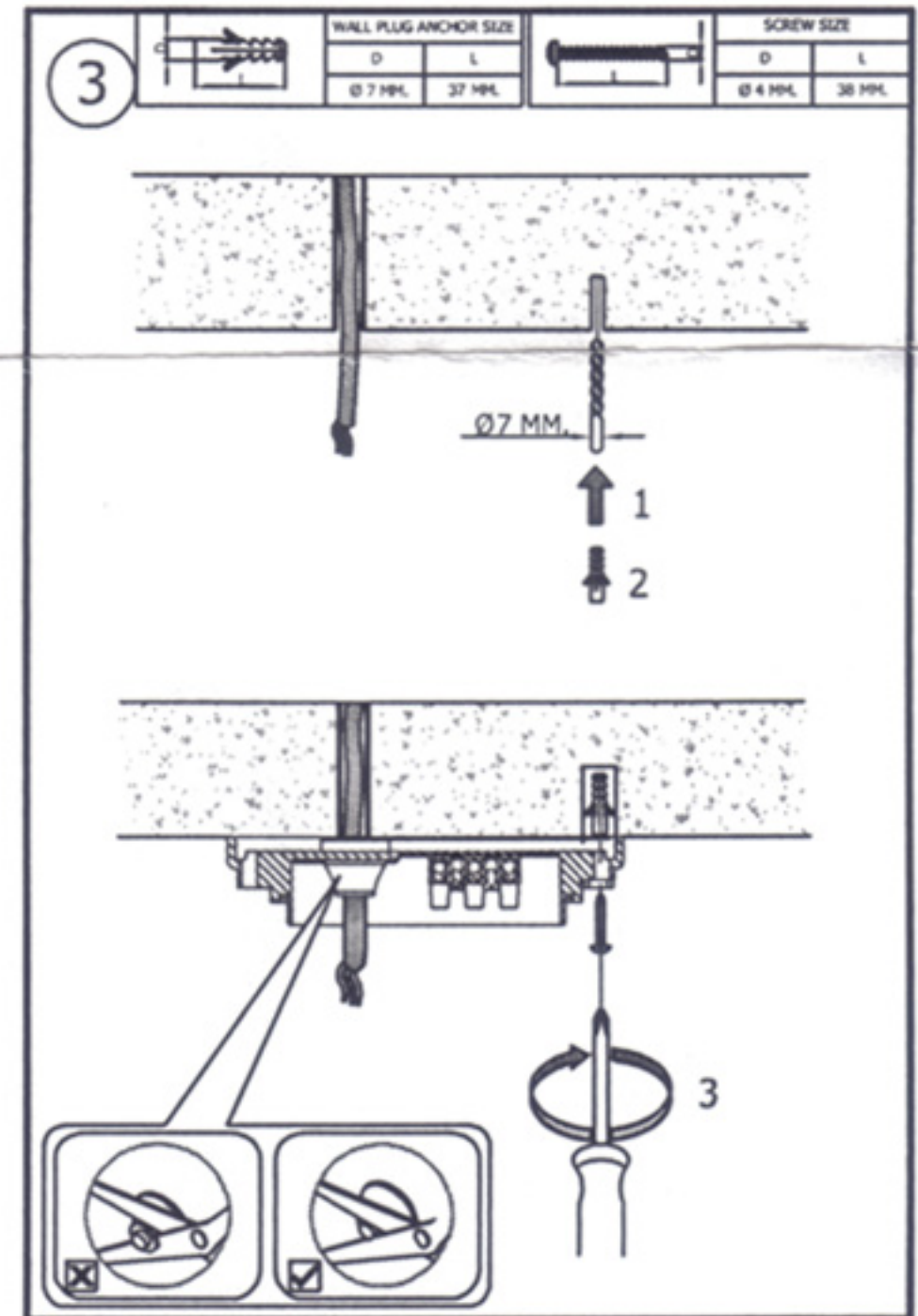
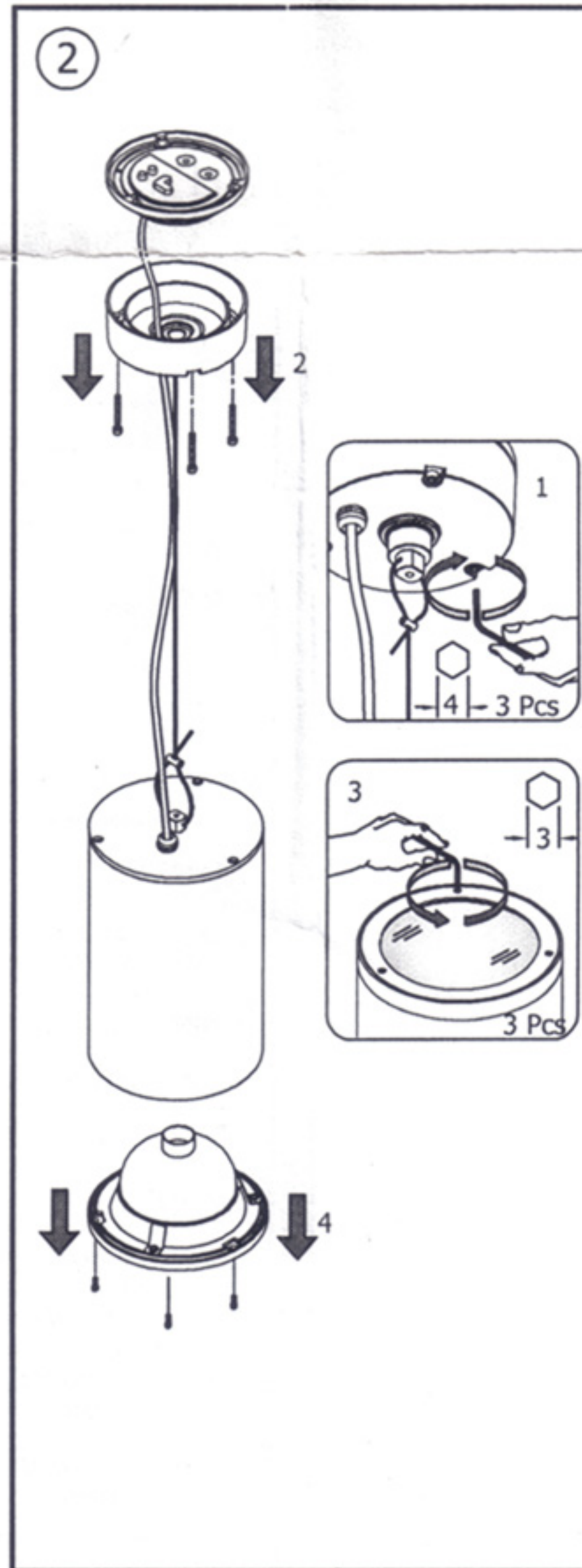
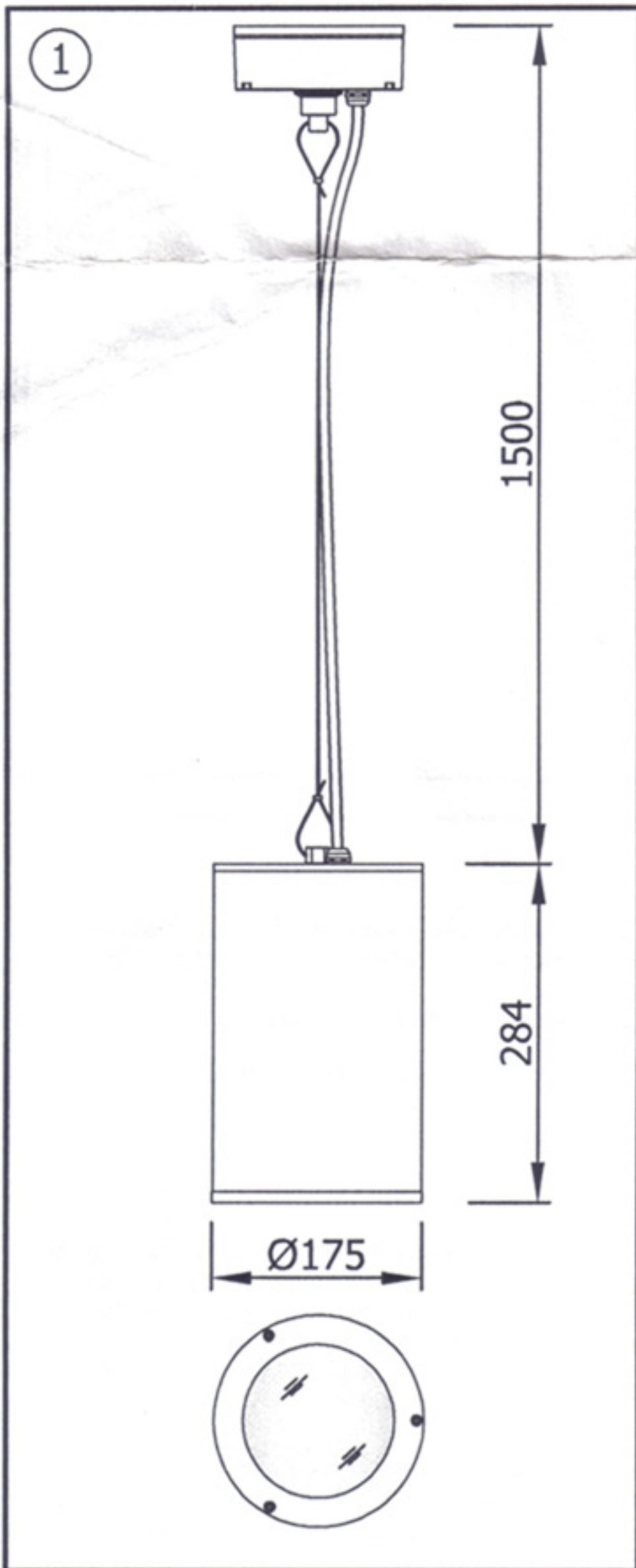
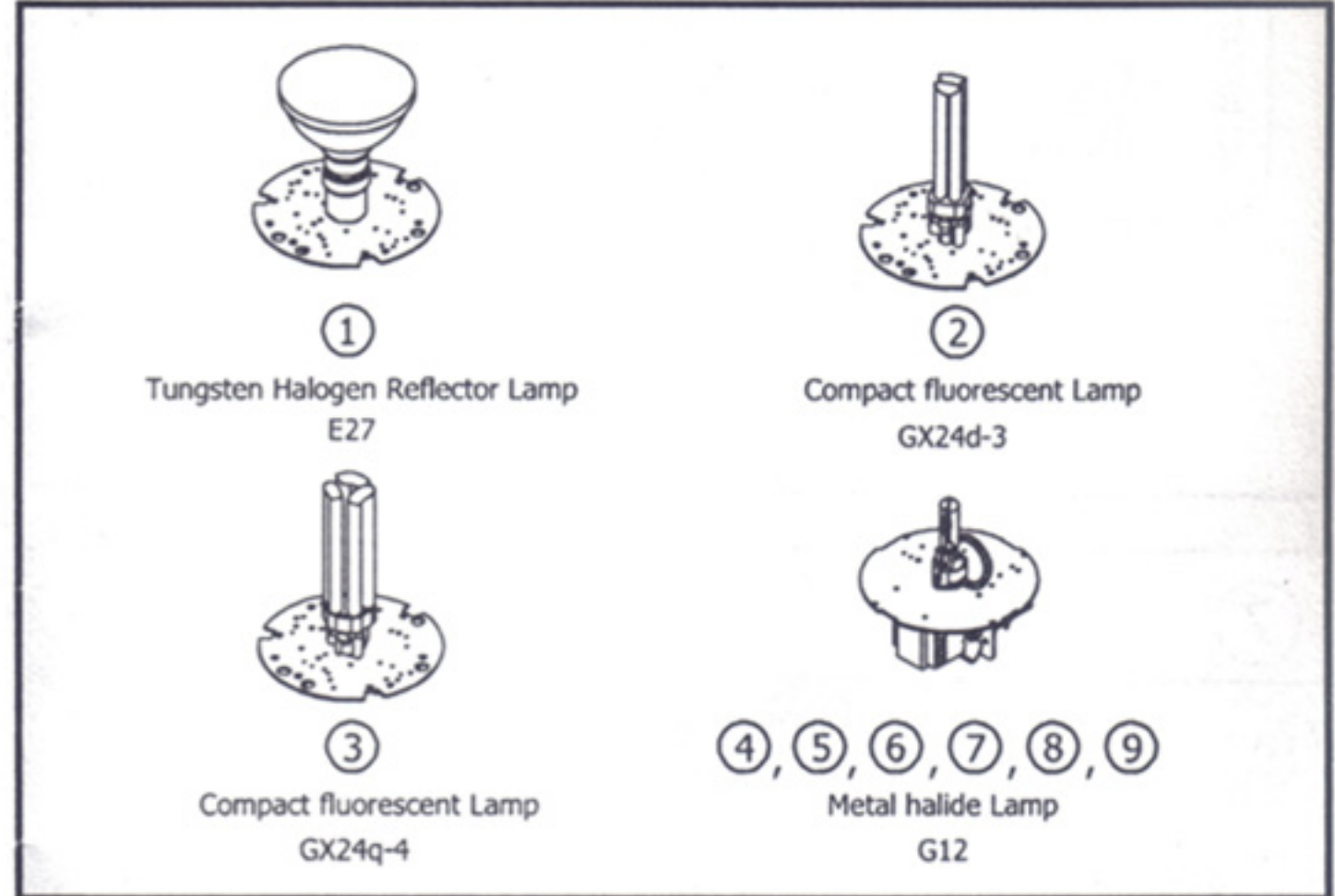
INSTALLATION MANUAL FOR DL-5410

PRODUCT NAME : DON



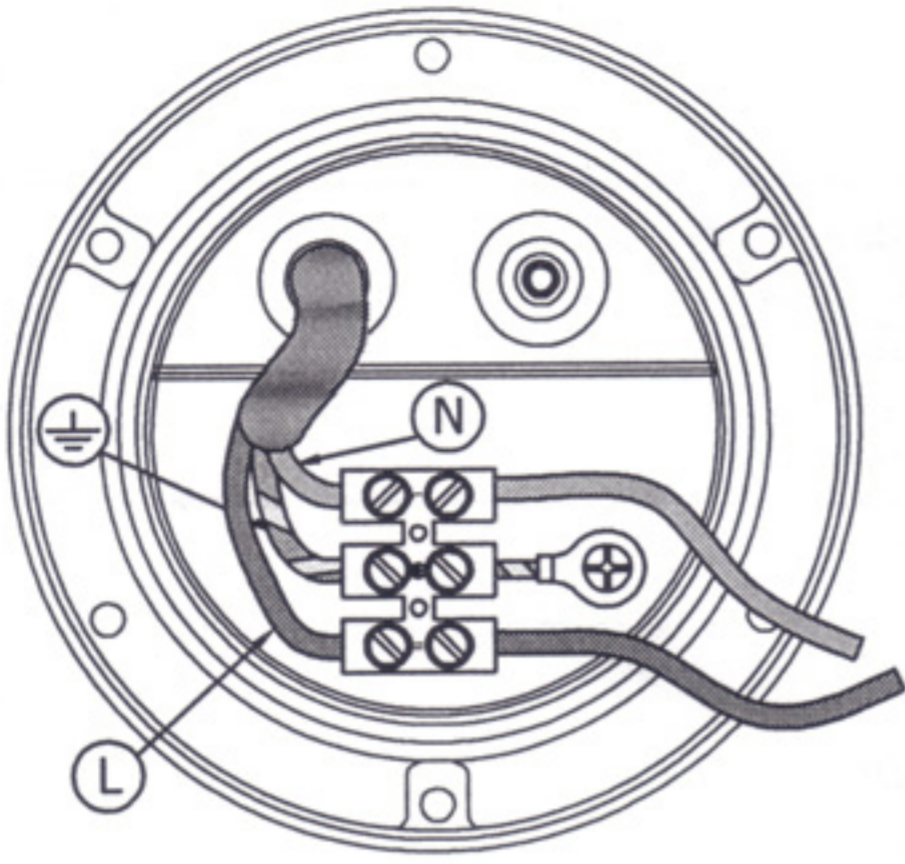
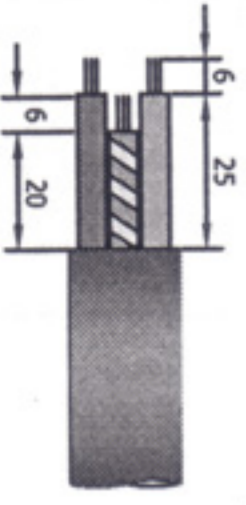
IP65 IK10

No.	Applicable lamp
1.	230V 50Hz MAX PAR38 120W
2.	230V 50Hz MAX TC-D 26W
3.	230V 50Hz MAX TC-TEL 42W
4.	230V 50Hz MAX HIT-CE 35W
5.	230V 50Hz MAX HIT-CE 35W
6.	230V 50Hz MAX HIT-CE 35W
7.	230V 50Hz MAX HIT-CE 70W
8.	230V 50Hz MAX HIT-CE 70W
9.	230V 50Hz MAX HIT-CE 70W



5

CABLE SIZE : HO7RN-F 3X1.00 MM.

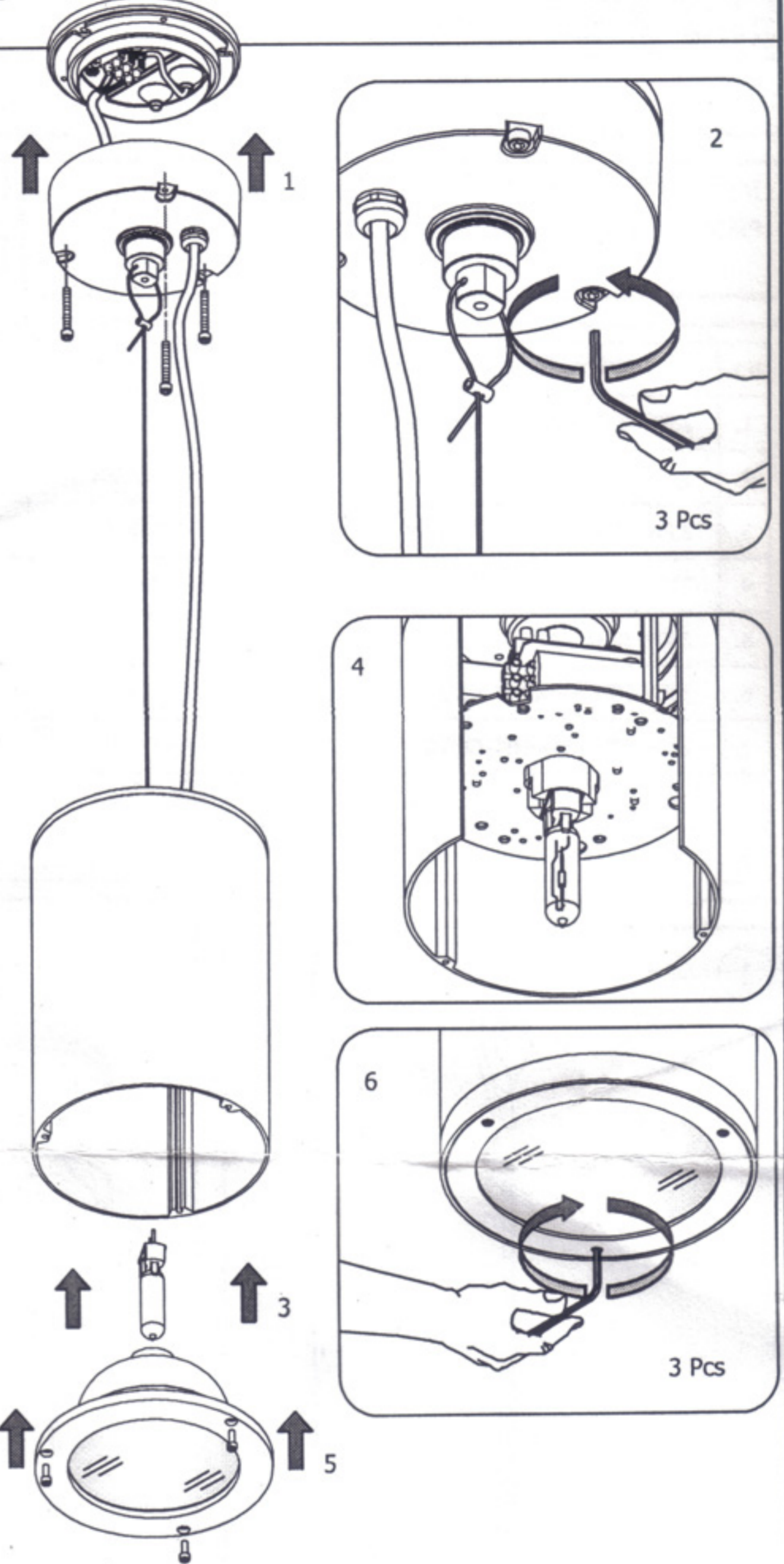


7



INSTALLATION COMPLETE

6



REMARK :

1. INSTALLATION SHOULD BE CARRIED OUT BY A QUALIFIED ELECTRICIAN IN ACCORDANCE WITH APPROPRIATE NATIONAL WIRING REGULATION.
2. DISCONNECT THE POWER BEFORE CHANGING THE LAMP.
3. THIS IS CLASS 1 LIGHTING FIXTURE AND MUST BE EARTHED.
4. DO NOT EXCEED THE MAXIMUM WATTAGE.

WARNING

1. THE MANUFACTURER WILL NOT BE LIABLE OR HELD RESPONSIBLE FOR ANY INCORRECT INSTALLATION , MISUSE OR IMPROPER USE AND UNAUTHORISE MODIFICATION ON THE FITTINGS. FAILURE TO COMPLY WITH MENTIONED WARNING MAY CAUSED SERIOUS DAMAGE OR SERIOUS INJURY TO THE PERSONS ANIMALS OR OBJECTS . IN CASE OF MODIFICATION IS REQUIRED PLEASE CONSULT YOU DEALER FOR THE DETAILS.
2. IN CASE OF DAMAGE HAS OCCURED TO THE FITTINGS,PLEASE MAKE THE REPLACEMENT WITH STANDARD PART(S) BEFORE USE.