

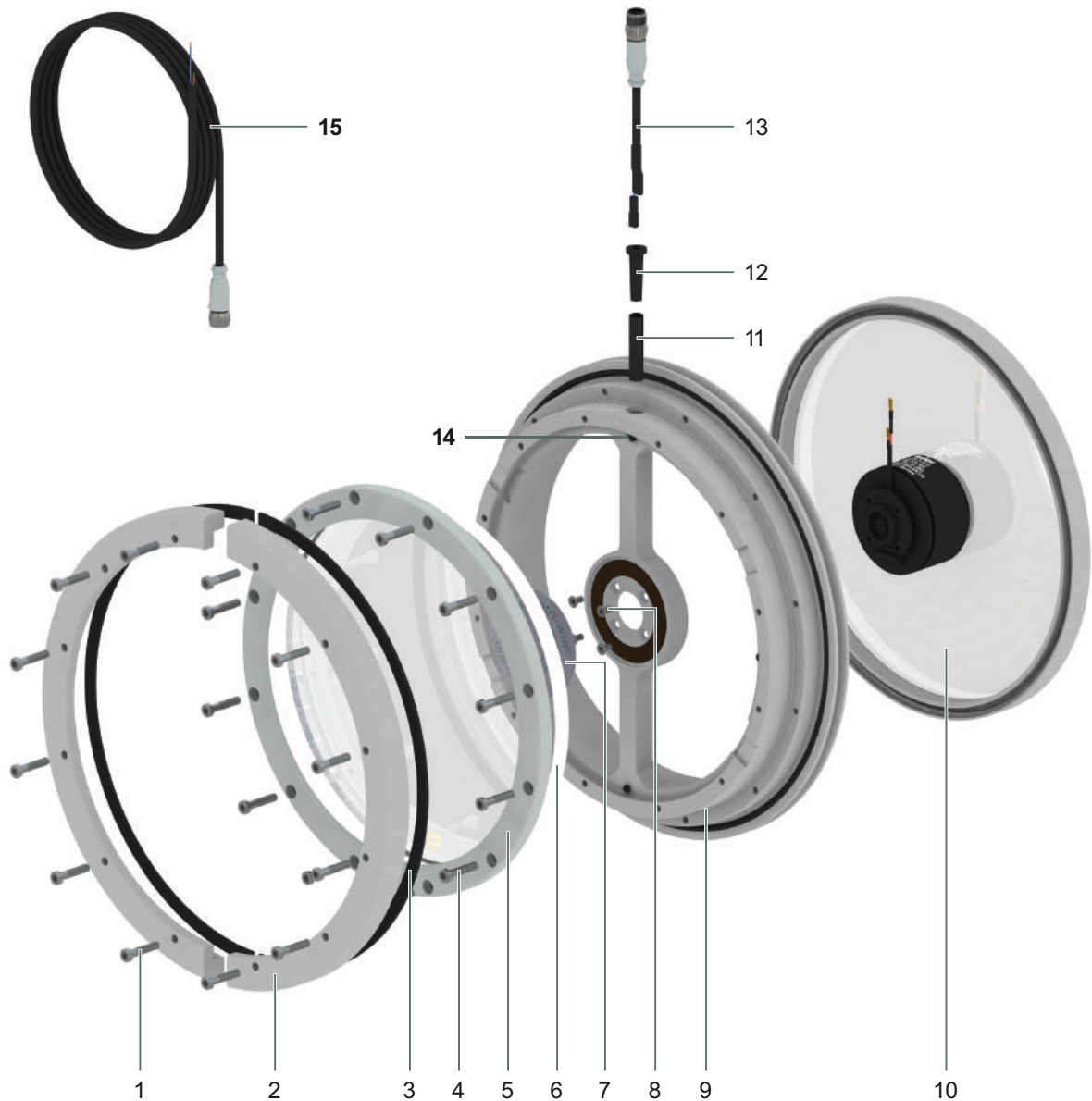
centri-win[®]

EXTERNAL INTERNAL ADHESIVE

Mains voltage:	24VDC
Power input:	12W
Current consumption:	0.4A (initial current 3A/24V)
Revolution speed:	2300 RPM
Rotating disk:	5.0mm ESG tempered safety glass



DESCRIPTION OF COMPONENTS EXTERNAL



1 Screws, clamping flange/ M5x25 / 12 pcs.

2 Clamping flange / 2 pcs.

3 Protective underlay / 2 pcs.

4 Screws Mounting flange / M5x25/ 12 pcs

5 Ring for safety pane

6 Safety pane

7 Cover plate with logo

8 Screws, motor / M4x8/ 4 pcs.

9 Housing / external

10 Rotation device / dynamically balanced

11 Protective tubing / Ø 9x15

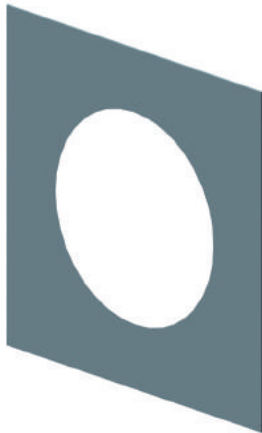
12 Grommet

13 Connector / M12

14 Threaded pin (polyamide) / M5x6

15 Connection cable / 10 m

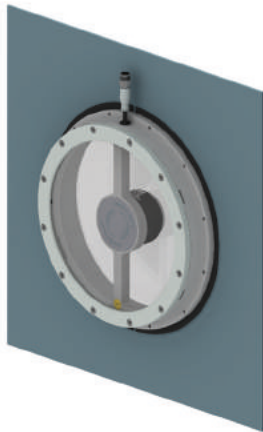
INSTALLATION EXTERNAL



Prepare 282 mm cut out
/ see cut out



Installation of the rotation
window at the internal
side of the machine tool



Attach protective underlay
/ 2 pcs.



Panes < 14 mm
Attach clamping flange
/ 2 pcs.



Panes \geq 15 mm
Attach clamping flange
reversed / 2 pcs.



Connect and install
connecting cable
/ see connecting cable

TECHNICAL DRAWING

