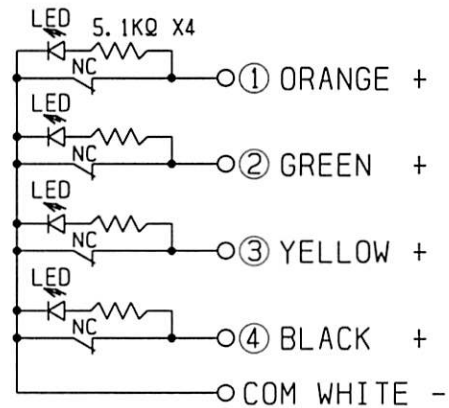


SENSOR HEAD
H4A-30H

SOCKET CABLE 5m
CN3-5-5



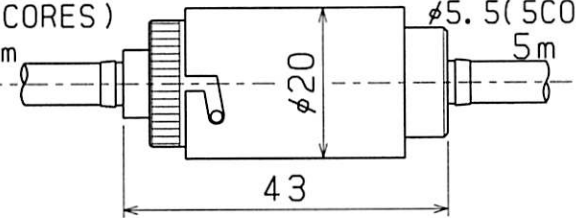
PINS' LAYOUT
OF PROBE SIDE

PINS' LAYOUT
OF MACHINE SIDE



CABLE OIL PROOF
φ5.5 (5 SCORES)
0.3m

CABLE OIL PROOF
φ5.5 (5 SCORES)
5m



SET NUMBER: H4A-30S

COMPOSITION

SENSOR HEAD	H4A-30H
SOCKET CABLE 5m	CN3-5-5
POLARITY CONVERTOR UNIT	BA-4A

	NAME	TOOL SETTING PROBE
A 4	DRAWING NUMBER	H4A-30S
1 : 1		