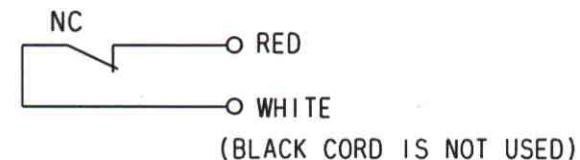


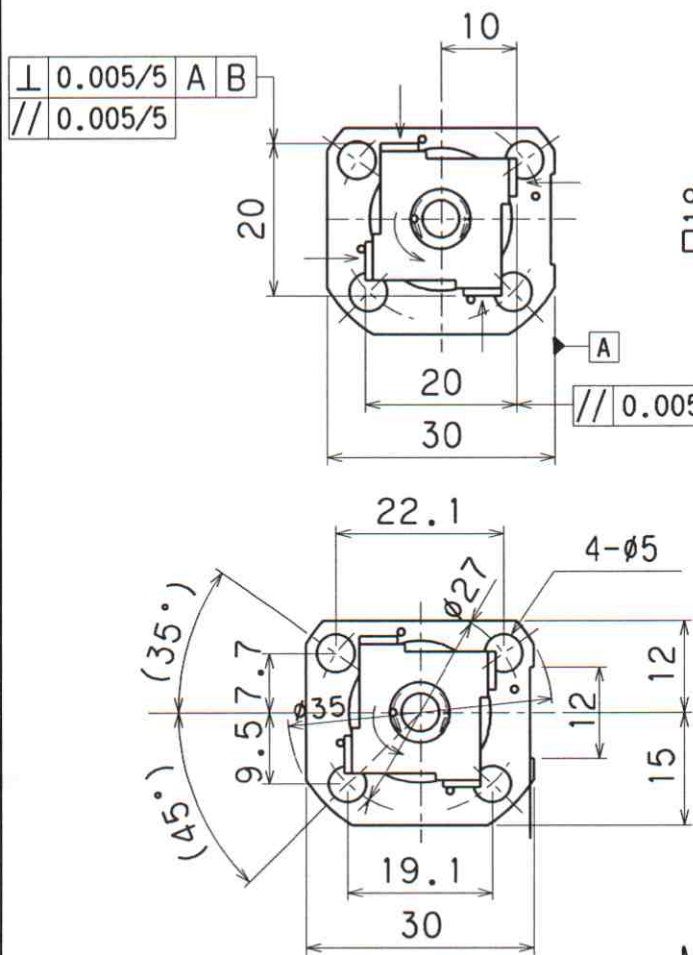
OPERATION MODE : NORMALLY CLOSED
 REPEATABILITY OF SKIP SIGNAL : 0.001mm
 RECOMMENDED OPERATING SPEED : 50~200mm/min
 RATING : DC24V 20mA(Max)
 (RECOMMENDED 10mA) NON-INDUCTIVE LOAD
 DEGREES OF PROTECTION : IEC IP67

SET NUMBER : H4D-06-04S

COMPOSITION [SENSOR HEAD H4D-06-04H
 EXTENSION CABLE CC2-5H4D

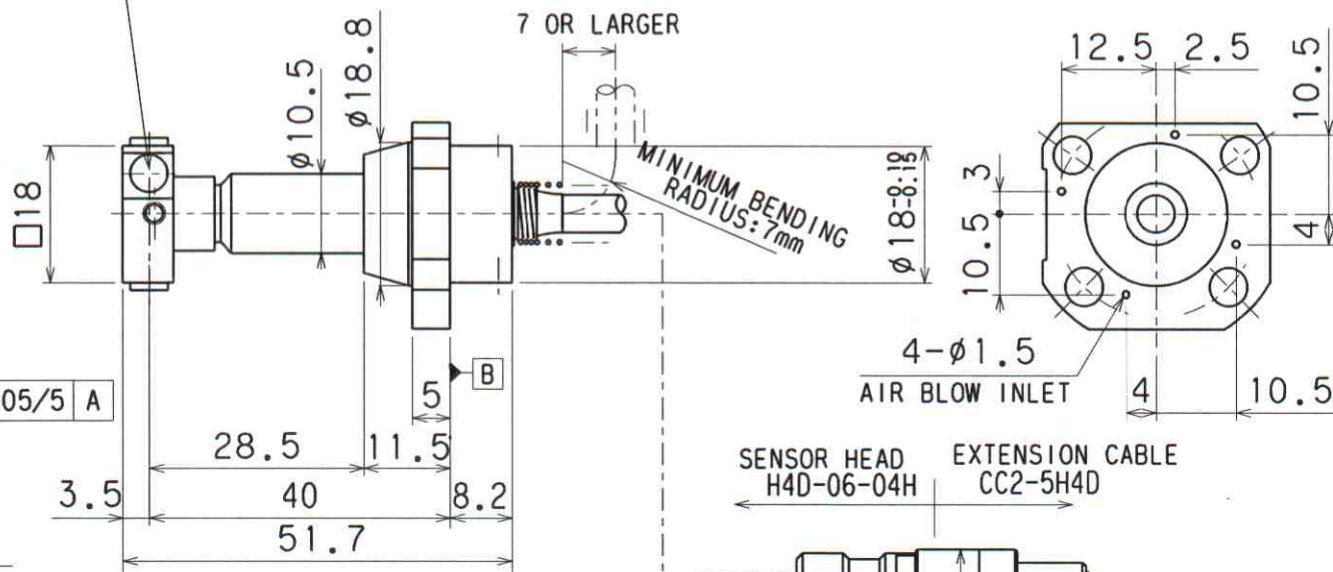


⊥	0.005/5	A	B
//	0.005/5		



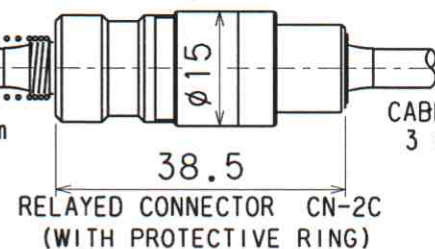
4-φ5 TUNGSTEN CARBIDE

STROKE : 2
 CONTACT FORCE : 0.8^{±0.2}N



SENSOR HEAD H4D-06-04H
 EXTENSION CABLE CC2-5H4D

CABLE OIL PROOF 0.37m
 3 CORES, φ5
 (BLACK CORD IS NOT USED)
 WIRE BRAID 0.37m



CABLE OIL PROOF 5m
 3 CORES, φ5
 (BLACK CORD IS NOT USED)



MINIMUM BENDING RADIUS:7mm

REVISION 15.11.2005.

APR	CHK	DRA
		05.06.09
		MIURA

	NAME	TOOL SETTING PROBE
	DRAWING NUMBER	H4D-06-04S

1/1		METROL LTD.
-----	--	-------------