

MODEL CS/CF

CARTRIDGE FILTER

0.5 MPa



Model CS

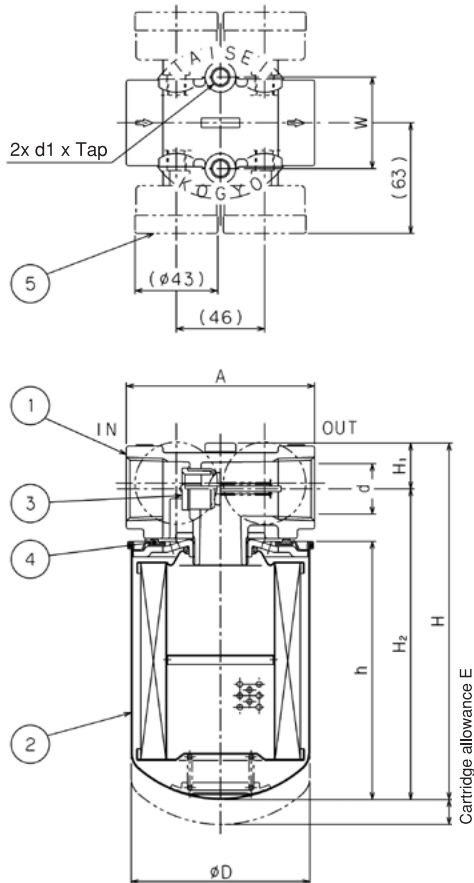


Model CF

1. Maximum operating pressure: 0.5 MPa
2. Standard filtration rating: 10U (10 microns)
3. Cartridge type for easy replacement.
4. Built-in relief valve (Opening pressure 0.1 MPa)
5. Pressure gauge is available in additional option for Model CF only and installed on four positions; in-port, outlet, right and left on filter.
Note: To install pressure gauge, please remove plug at installation position.
6. Applicable fluid : Mineral oil as standard

Part List

Part No.	Part Name	Material	Qty	Remarks
5	Pressure gauge			R1/8 Option(For CF)
4	Packing	NBR	1	
3	Relief valve		1	
2	Cartridge		1	
1	Body	ADC12	1	



Model Code

CF — Inner Diameter — 10U — Pressure Gauge ※Model CF only
(CS)

Code	Inner Dia.
06	Rc 3/4
08	Rc1
(04)	(Rc 1/2)

Code	Qty
Blank	None
P1	1
P2	2
P3	3
P4	4

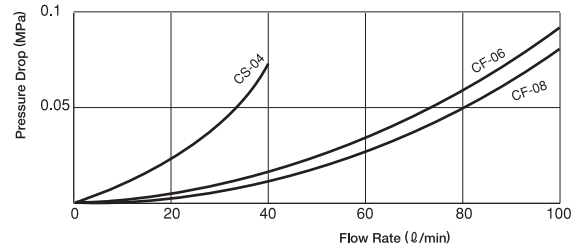
Coding example CF-08-10U-P2

Spare Cartridge

CS-04	S-810-1
CF-06/08	F-913-1

Flow Rate Chart

● ISO VG32 ● Viscosity: 32 cSt (40°C)



Dimensions and Standard Flow Rates

Model	Symbol	d	A	D	H	H ₁	H ₂	h	E	W	d1×L	Mass (kg)	Standard Flow Rate (l/min)
CS-04	Rc 1/2		88	80	140	19	121	100	25	38	M8×14	0.49	25
CF-06	Rc 3/4		98	93	187	24	163	135.5	13	48	M10×19	0.92	45
CF-08	Rc 1	70											