

7 PIN SMART ECU WIRING KIT

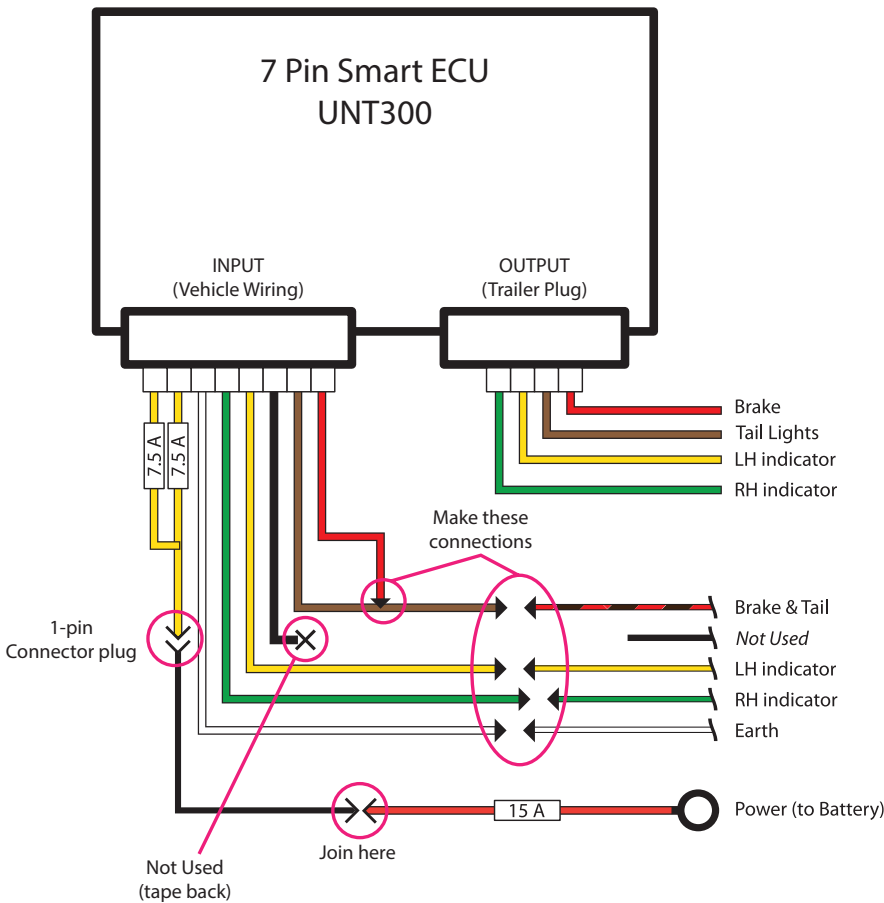
THIS UNIT IS DESIGNED TO CATER FOR VEHICLES WITH DUAL VOLTAGE WIRING FOR BRAKE & TAIL LIGHTS, BUT CAN ALSO BE USED ON OTHER VEHICLES.

Please note: this unit may require dealer coding. Also if you have fog lights, reverse sensors or stability control features, this unit will not connect to them.

PART NO.
UNT300

ATTENTION!

Read This Before Installation



Pin No.	Wire Colour	Function
1.	Yellow	Left indicator light
2.	Black	Spare / reverse lights
3.	White	Earth
4.	Green	Right indicator light
5.	Blue	Not used
6.	Red	Brakes lights
7.	Brown	Tail light, number plate light

FITTING GUIDE:

1. When mounting the ecu box, make sure it is in a secure location away from moisture.
2. Be sure to ground the earth correctly to the body.
3. Make sure to inform your customer there is a 15amp blade fuse on the THICK BLACK (with RED inside) wire where ever you have placed this new unit in the event the fuse needs to be replaced. Kindly show them where they can access it.

Please give this copy of instructions to your customer!!!