

SS580HF SAFARI V-SPEC SNORKEL

Land Rover Defender with Duratec 2.4 litre
Common-Rail Diesel Engine



26/08/2008

ITEM	DESCRIPTION	QTY	PART NO
1	BODY - SNORKEL	1	810-133-500
2	3 ½" AIR RAM ASSEMBLY	1	000-135-800
3	BRACKET - UPPER MOUNTING	1	810-032-200
4	GASKET - UPPER MOUNTING BRACKET	1	810-435-200
5	BOLT - HEX - 6mm x 1.0 x 14mm	3	000-002-100
6	STUD - S/S - 8mm x 1.25 x 25mm	3	000-110
7	WASHER - BODY - S/S - 8mm x 30mm	3	000-311-300
8	NUT - NYLOC - S/S - 8mm x 1.25mm	3	000-205-300
9	SCREW - S/T - 4.2mm x 13mm	4	000-951
10	POP RIVET - 4.8mm x 15.75mm	6	000-958-500
11	GASKET - FOAM BODY - SELF ADHESIVE	1	810-016-500
12	TEMPLATE	1	810-017-500
13	GASKET - SEALING	1	810-016-400
14	HOSE CLAMP - SIZE 56 (BLACK)	1	000-914/B

Installation Guide

1

Fitment to:

- Right Hand Side

Fitting Time:

- 120min

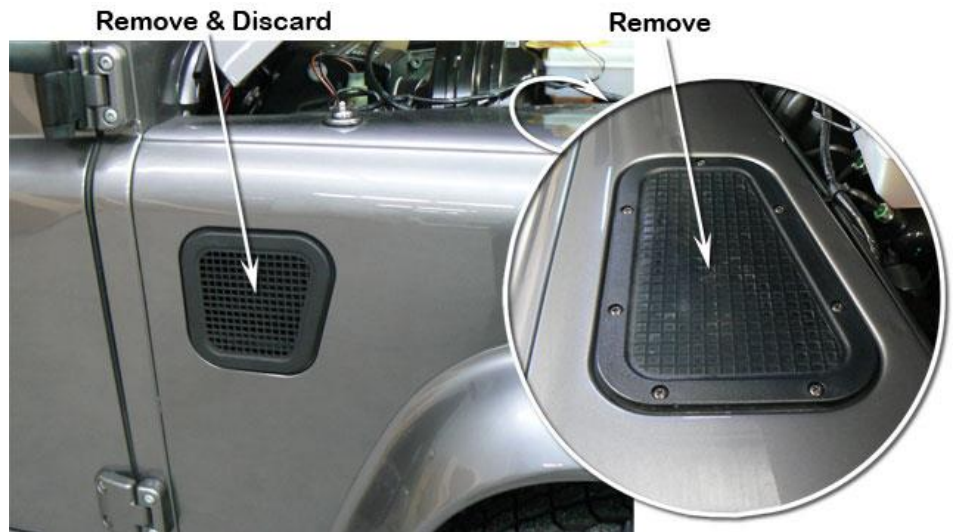
Special Tools:

- Step Drill
- 3.5mm drill bit
- Sikaflex 227 adhesive sealant
- Pop-rivet gun
- Masking Tape
- Touch-up paint
- Loctite threadlock Blue Removable

Prior to commencing the installation, it is the installer's responsibility to verify that all components and particularly the template (Item 12) are correct.

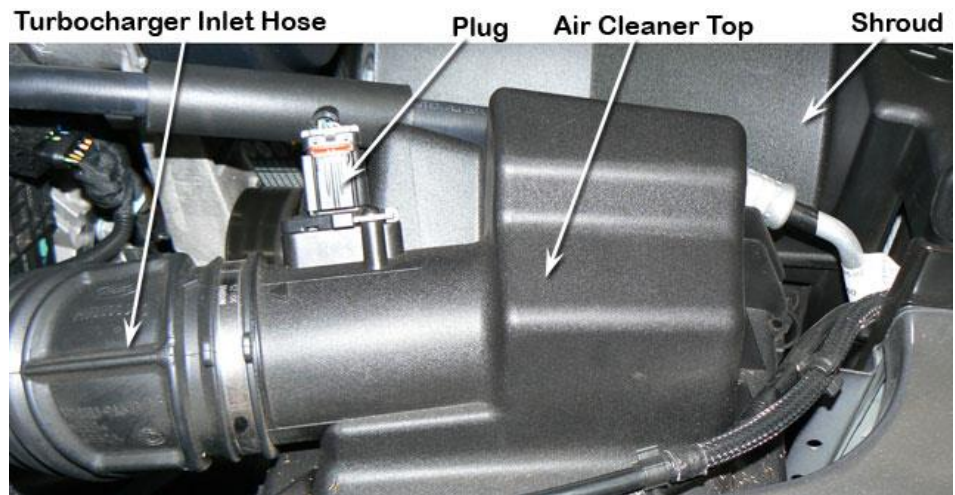
2

Remove and discard the panel mounted air intake grille. Remove the guard inspection plate and the wheel arch flare in accordance with the factory service manual.



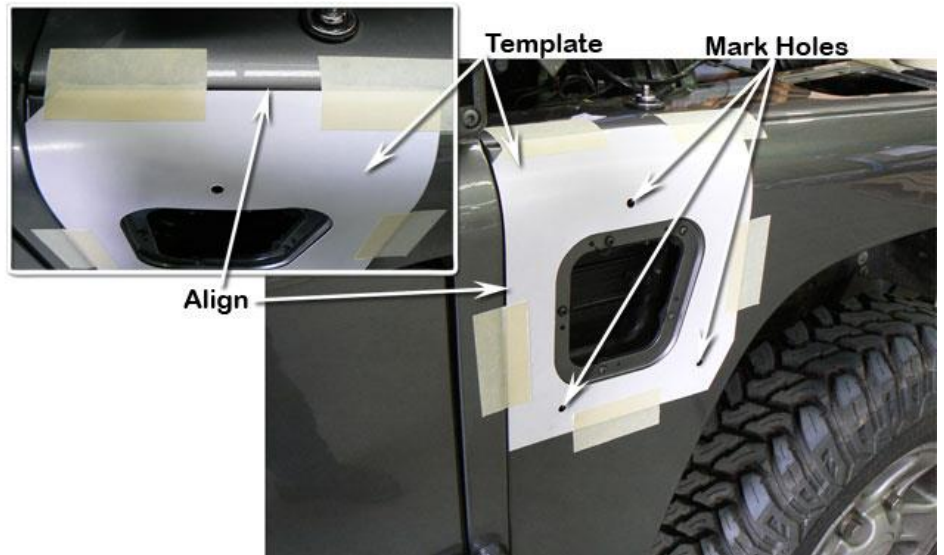
3

Remove the upper radiator shroud, air cleaner top, air cleaner element and turbocharger inlet hose in accordance with the factory service manual.



4

Align the snorkel template (Item 12) to the areas shown and tape into position. Mark the 3 snorkel mounting holes using a felt tip pen and remove the template.

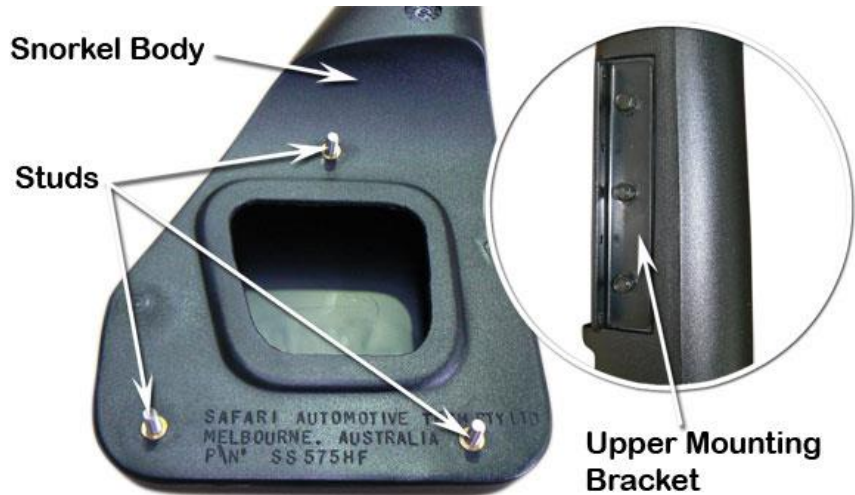


5

Drill a pilot hole for each of the 3 snorkel mounting hole positions and then drill to 16mm using a step drill. Deburr and paint holes.

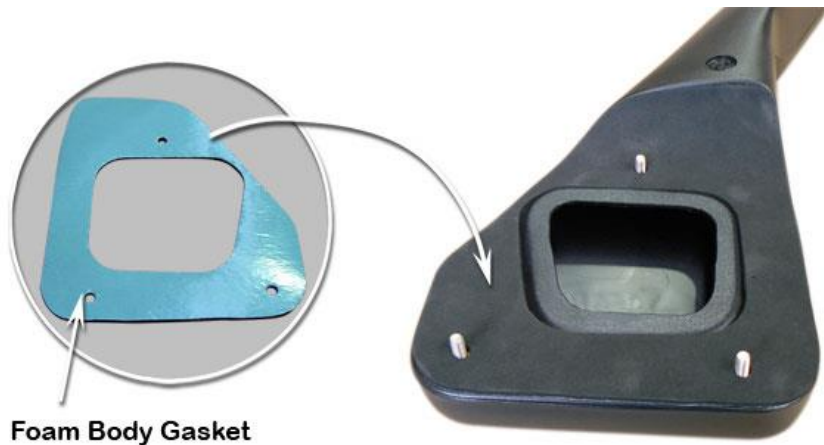
6

Install the upper mounting bracket (Item 3) to the snorkel body (Item 1) with hex bolts (Item 5). Apply Loctite to each of the snorkel mounting studs (Item 6) and install into the snorkel body mounting inserts.



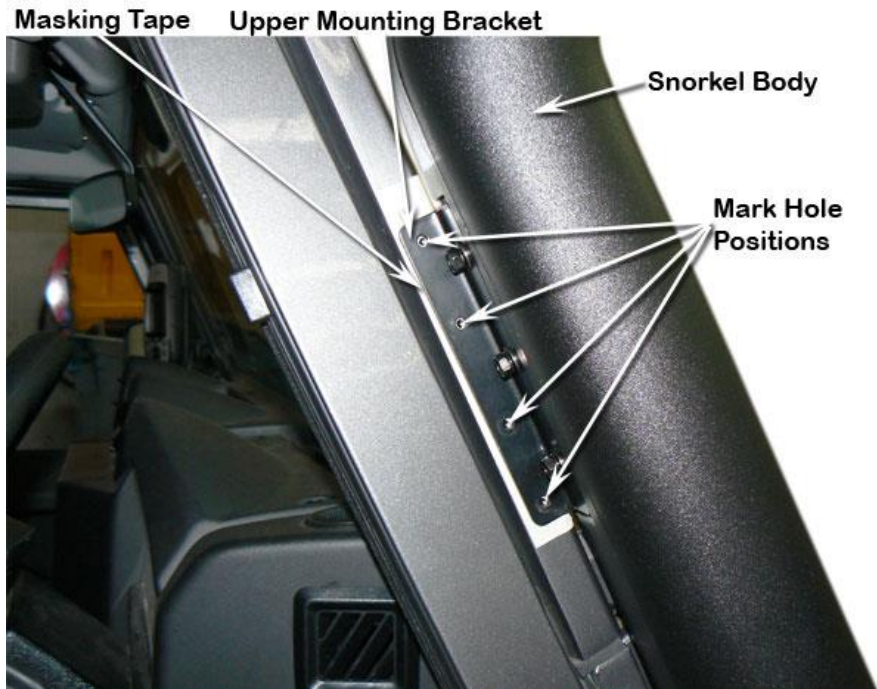
7

Remove the self adhesive backing from the foam body gasket (Item 11) and install onto the snorkel body (Item 1) as shown.



8

Place a strip of masking tape along the A-Pillar and install the snorkel body (Item 1) to the guard panel. When the snorkel body (Item 1) is correctly positioned, mark the 4 upper mounting bracket (Item 3) hole positions as shown.

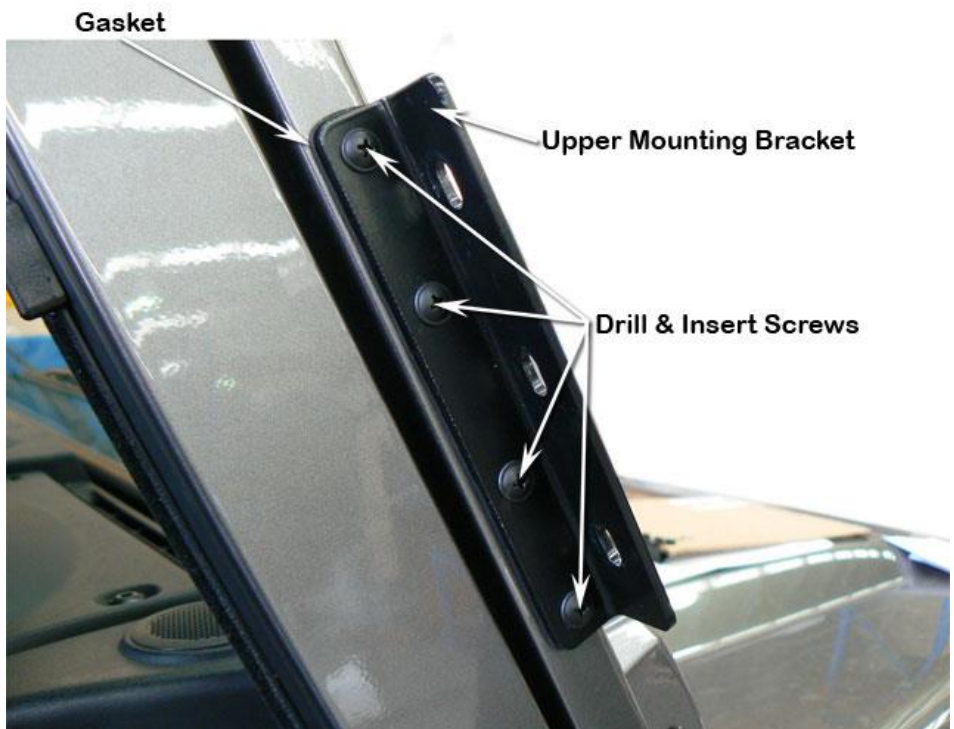


9 Remove the snorkel body (Item 1) from the vehicle and remove the upper mounting bracket (Item 3) from the snorkel body (Item 1).

10

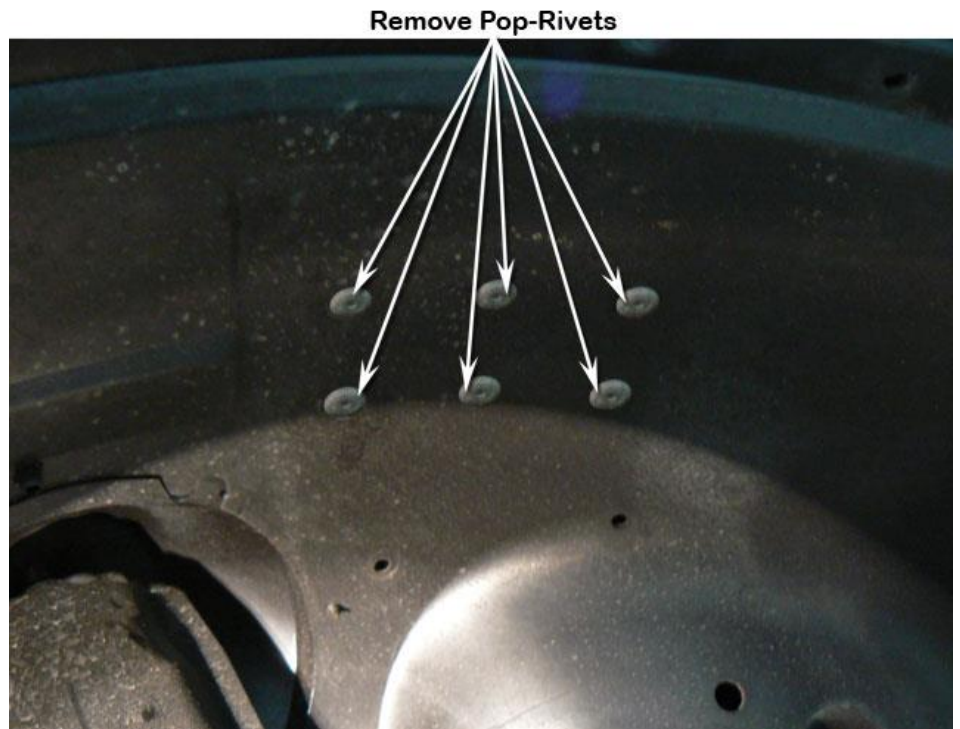
Drill a 3.5mm hole at each of the 4 marked upper mounting bracket hole positions. Deburr and paint holes.

Install the upper mounting bracket gasket (Item 4) and the upper mounting bracket (Item 3) to the A-Pillar and secure using 4 self tapping screws (Item 9).



11

Drill out the 6 air cleaner base side mounting bracket pop rivets. Remove the air cleaner base from its mounts. Raise the air cleaner base into a position that allows access to the air cleaner inlet snout and to the corresponding end of the air entry duct. Clean both mating surfaces with suitable wax and grease solvent.



12

Installer's Option:

The air cleaner housing base/underside has a drain opening that may permit water to enter the air intake.

It is up to the installer to decide whether the drain should be sealed.



- 13** Apply a generous amount of Sikaflex adhesive sealant to the outer surface of the air entry duct only. Apply a very light coating of Sikaflex adhesive sealant to the inner surface of the air cleaner base inlet snout. Install the air entry duct to the air cleaner base inlet snout and install the air cleaner base back into position. Install the air cleaner base side mounting bracket and secure with the 6 new pop-rivets (Item 10).



- 14** Install the air cleaner element, air cleaner lid, turbocharger inlet hose and upper radiator shroud. Reconnect the air mass sensor plug.

15

Remove the 5 air intake retaining screws from the guard panel, push the intake back slightly to apply Sikaflex adhesive sealant to the mating faces and reinstall the air intake. Apply Sikaflex sealant to the air entry duct junction as shown.



16

Installer's Option:

The air intake duct has a drain opening that may permit water to enter the air intake.

It is up to the installer to decide whether the drain should be sealed.

Option: Seal Drain



17

Remove the self adhesive backing from the sealing gasket (Item 13) and install to the guard panel as shown. Apply Sikaflex adhesive sealant to the sealing gasket and the corresponding mating surface of the snorkel body outlet (Item 1).

Sealing Gasket

Adhesive Sealant



18

Install the snorkel body (Item 1) to the guard panel and align to the upper mounting bracket (Item 3). When correctly positioned on the guard panel, secure the snorkel body (Item 1) with body washers (Item 7) and nyloc nuts (Item 8). Secure the snorkel body (Item 1) to the upper mounting bracket (Item 3) with 3 hex bolts (Item 5).

Upper Mounting Bracket

Body Washer & Nut



19

Loosely install the black hose clamp (Item 14) to the base of the air ram (Item 2) and install the air ram to the snorkel body (Item 1). Align the air ram and tighten the hose clamp (Item 14).



20 Install the guard inspection plate, wheel arch flare (and any other items that may have been removed) in accordance with the factory service manual.

It is the installer's responsibility to ensure that all connections are watertight.