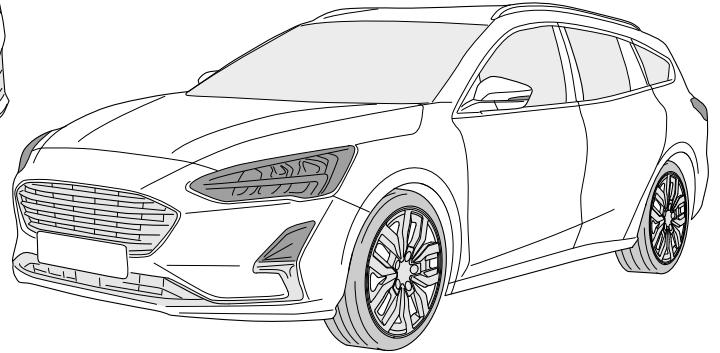
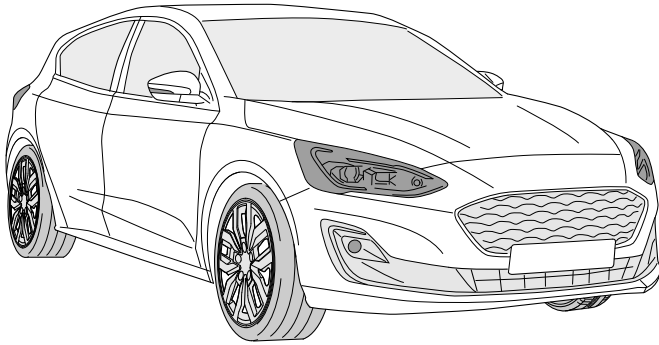




ERICH JAEGER

Installation instructions



750109EJ

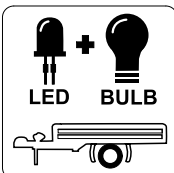
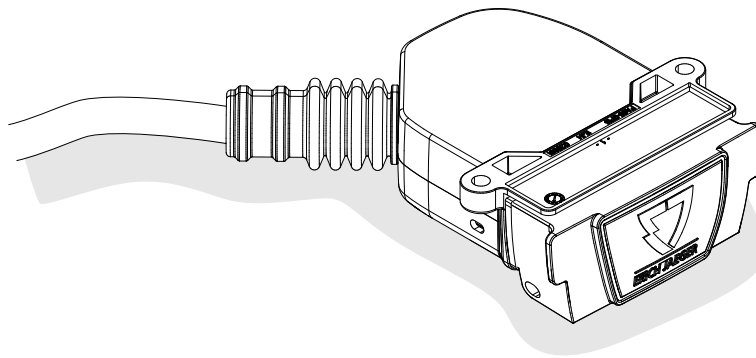
FORD Focus
FORD Focus Combi

04/18 >>

04/18 >>



SCAN FOR
LATEST
INSTRUCTIONS



Reference:

The following information must be reviewed before beginning the assembly:

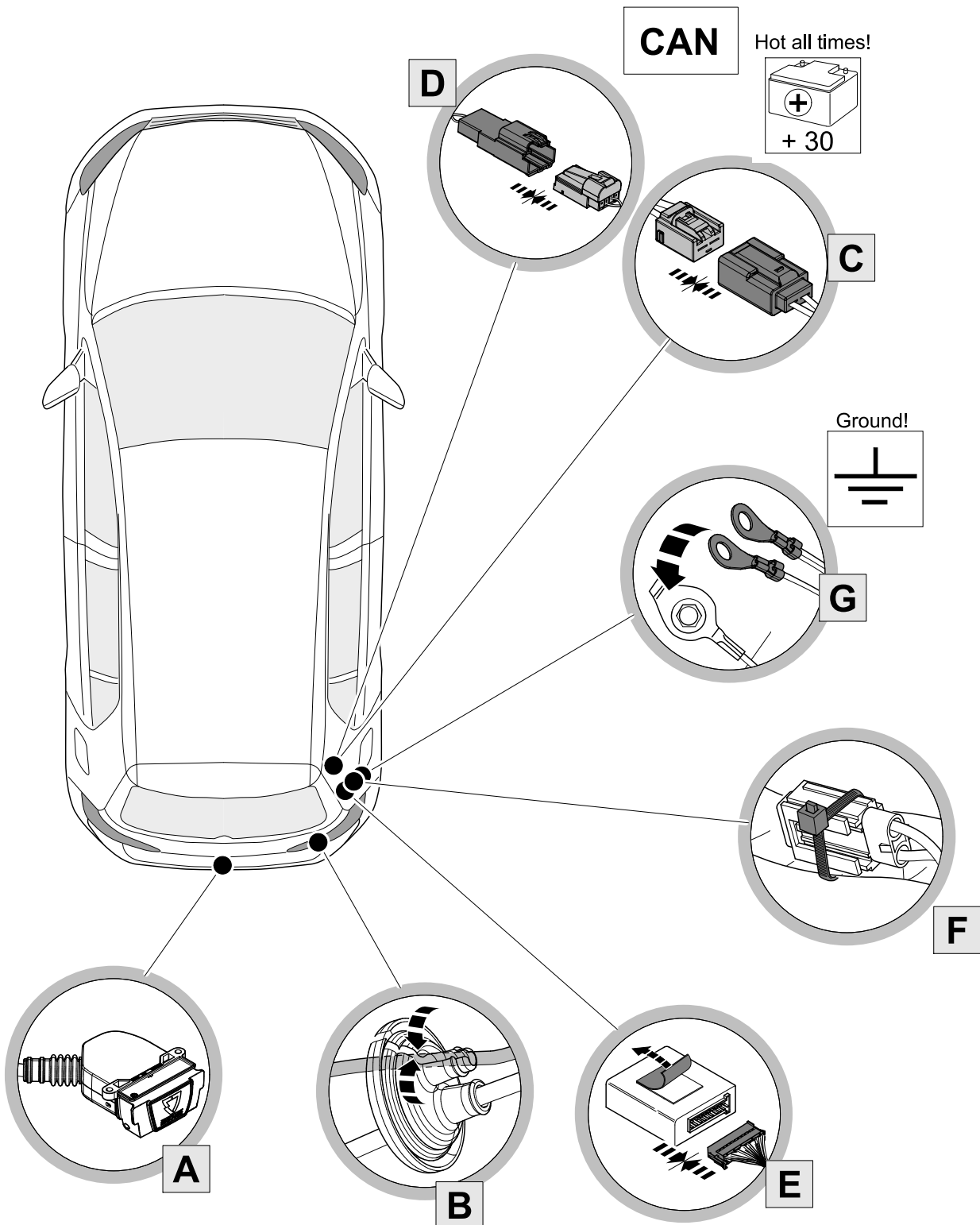
The installation instructions are to be thoroughly read.

The installation should be carried out by qualified personnel with the relevant technical knowledge. The vehicle manufacturers' current technical notices and information on retrofitting must be followed. The removal and replacement instructions found in the current repair manuals must be followed.

It must be ensured that the vehicle is technically suitable for the installation of a trailer hitch.

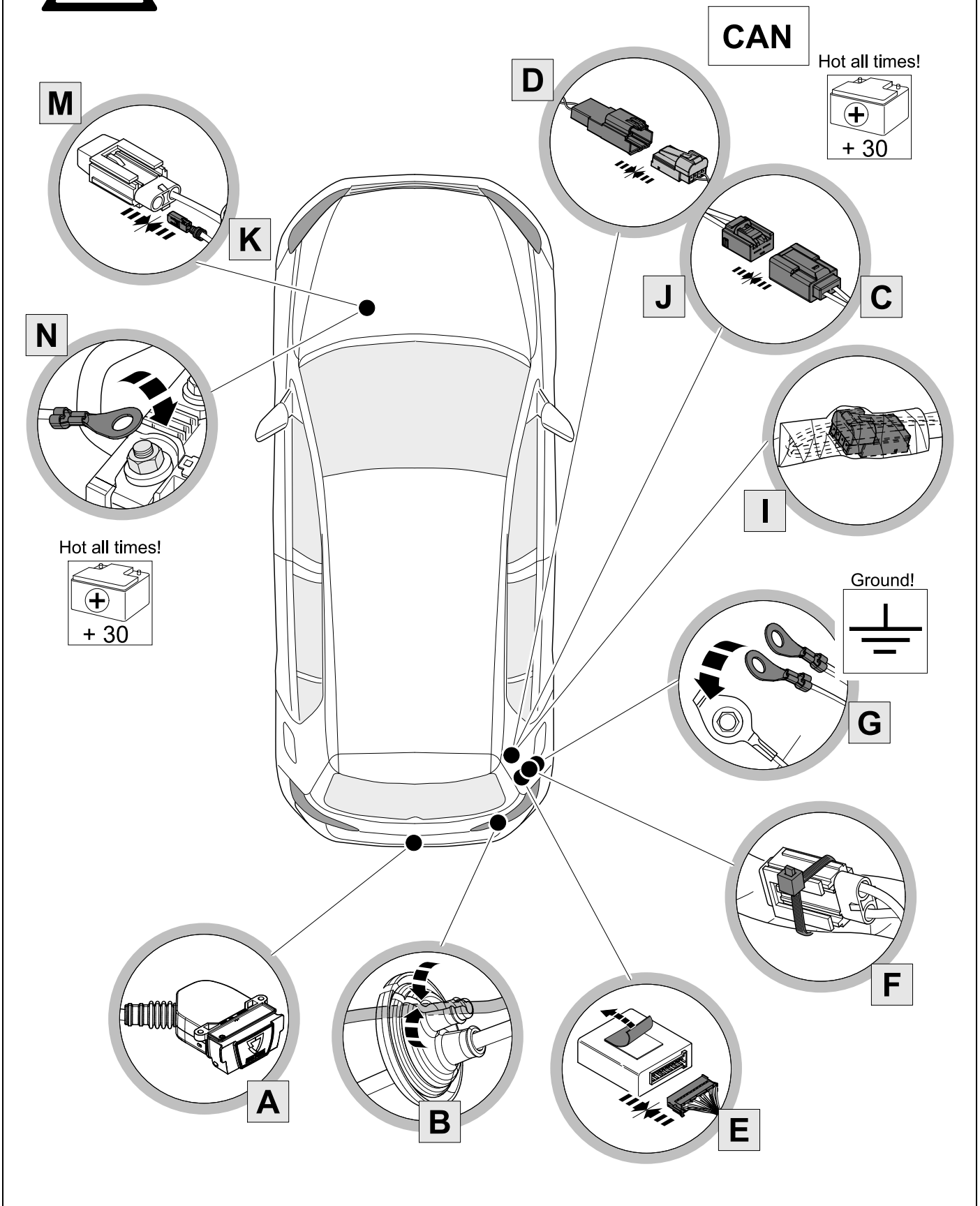


Vehicle with preparation (full function)



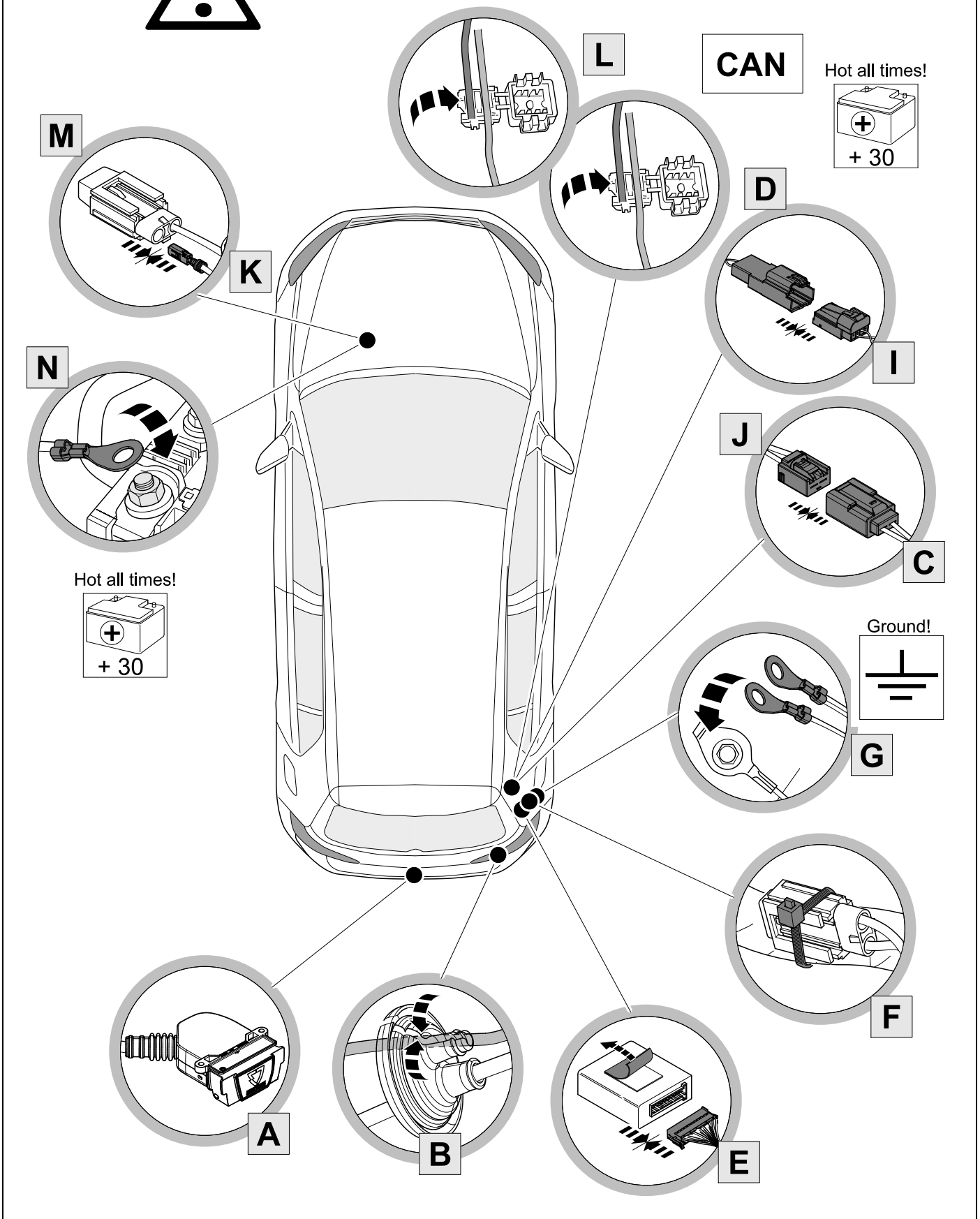


Vehicle with preparation except power supply

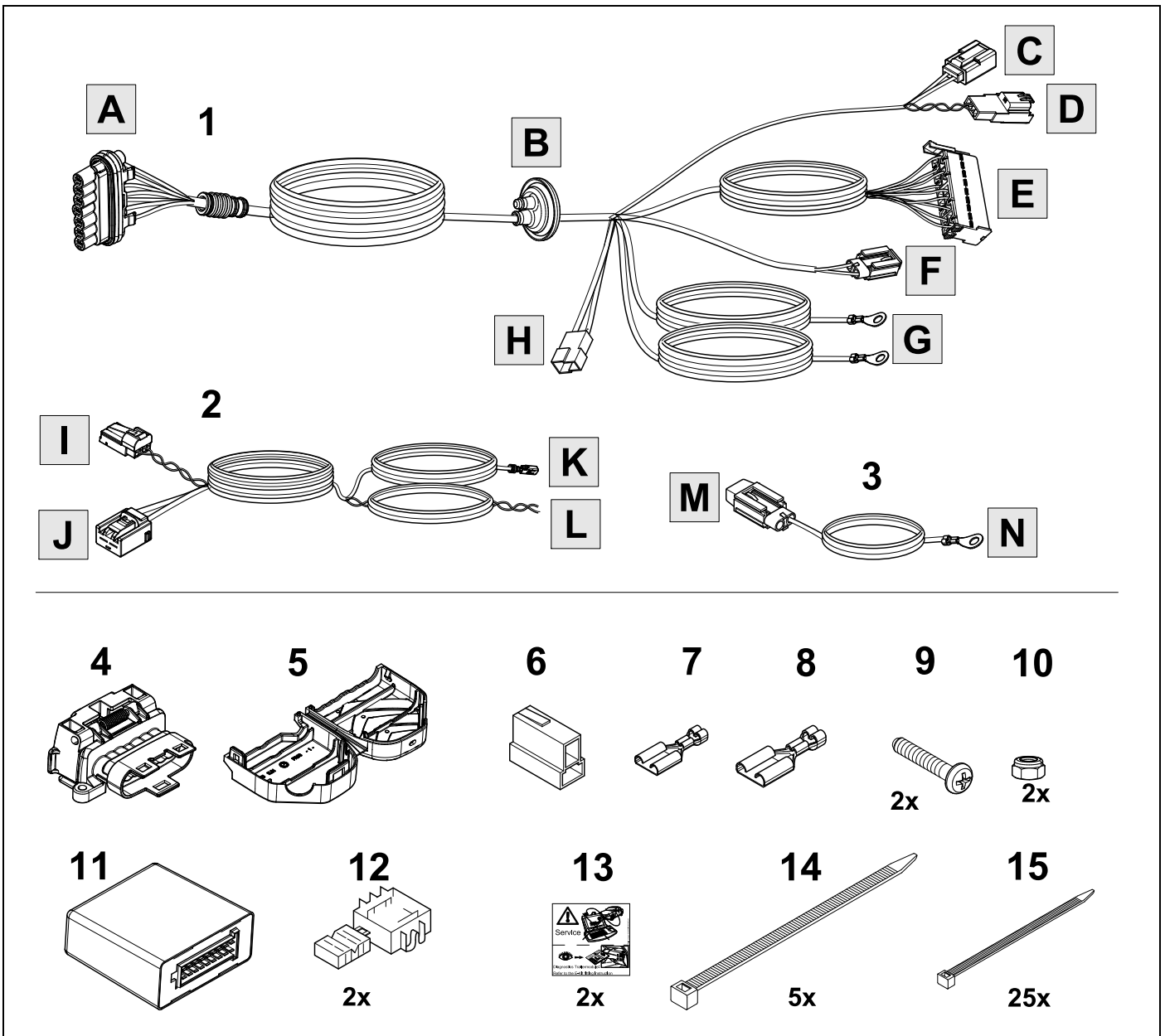




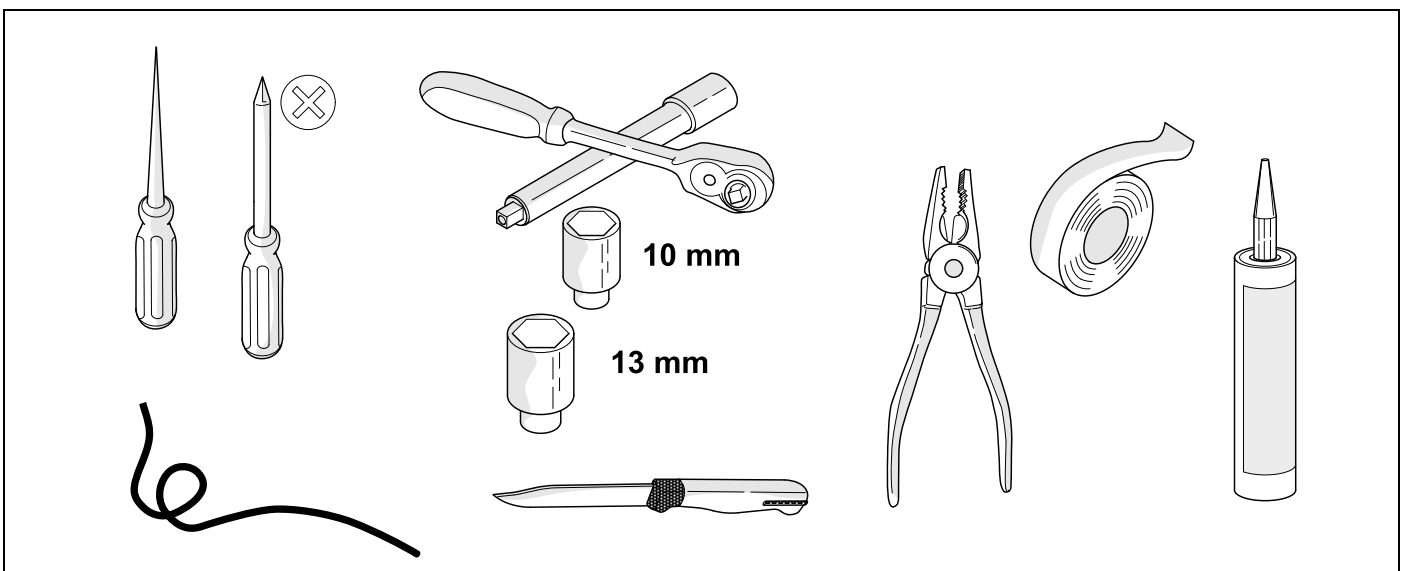
Vehicle without preparation



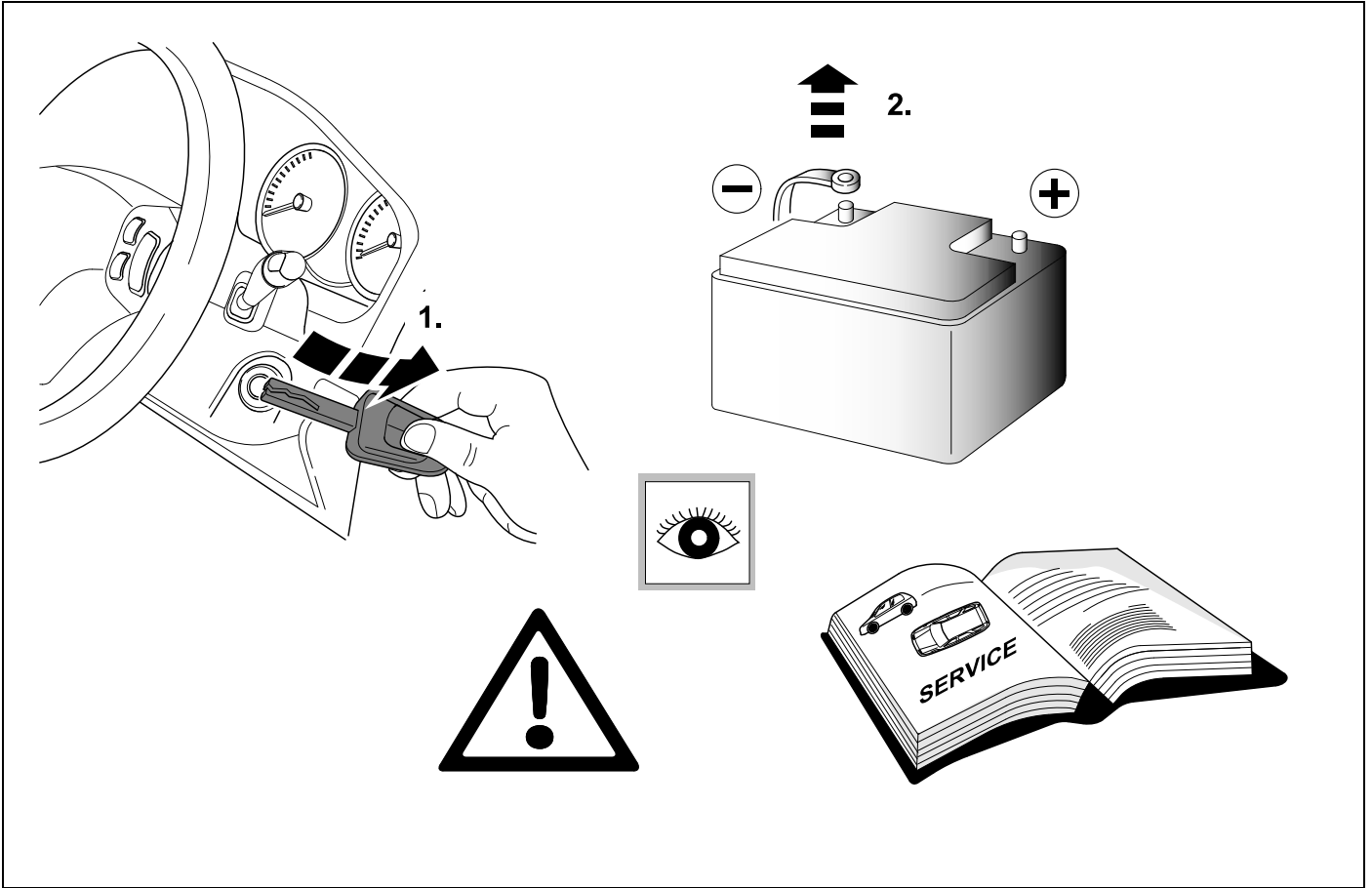
KIT



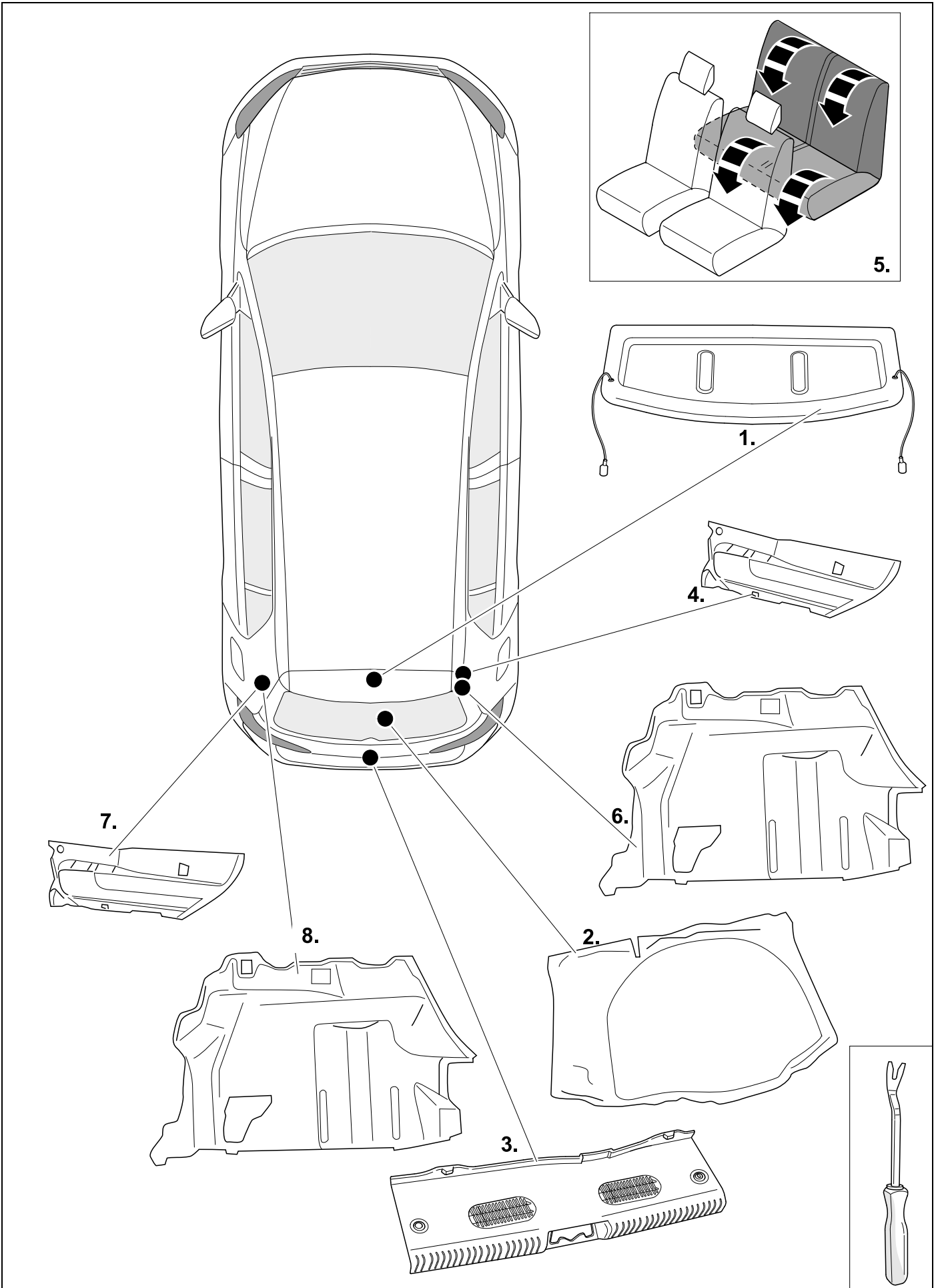
TOOLS



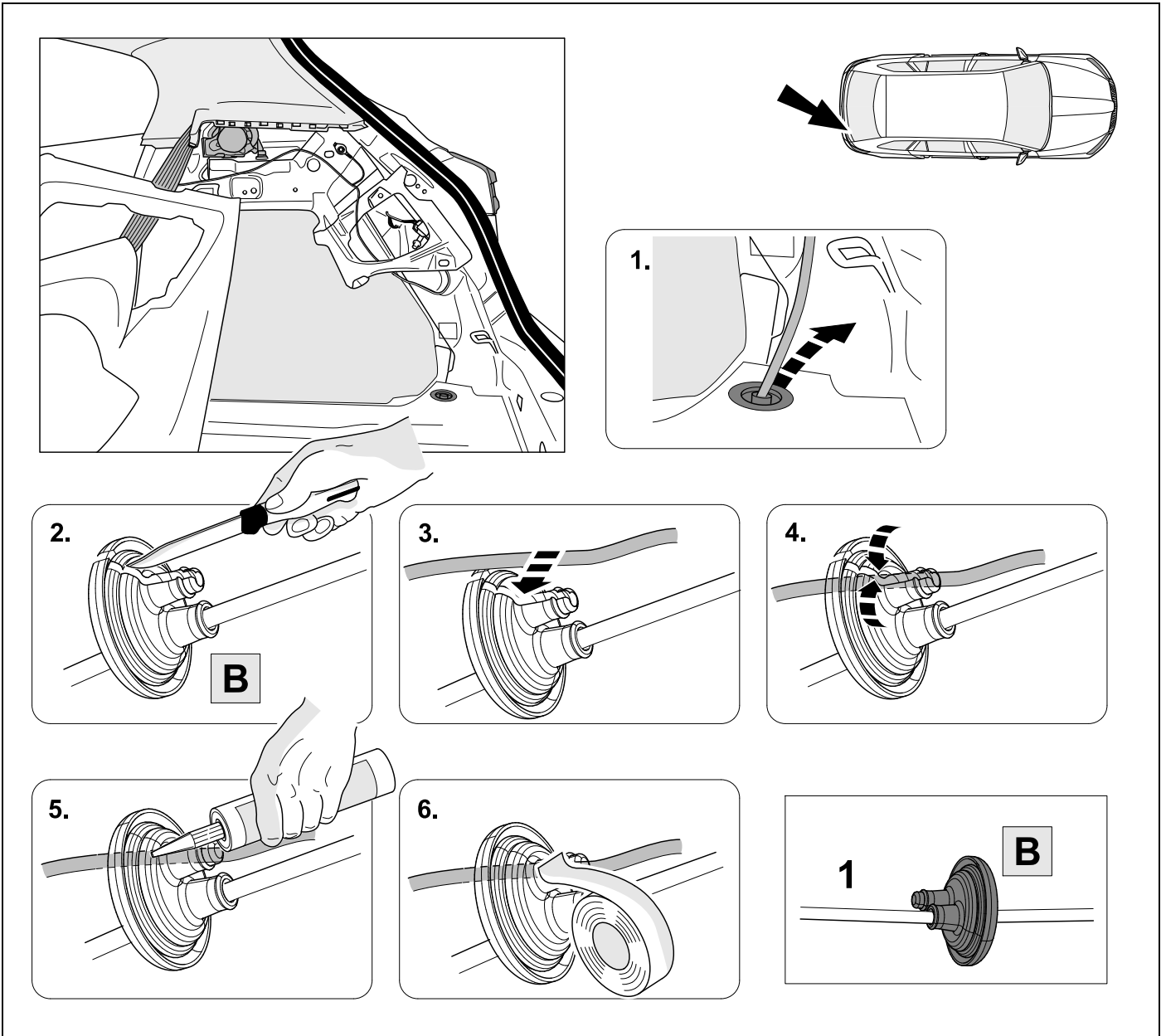
1



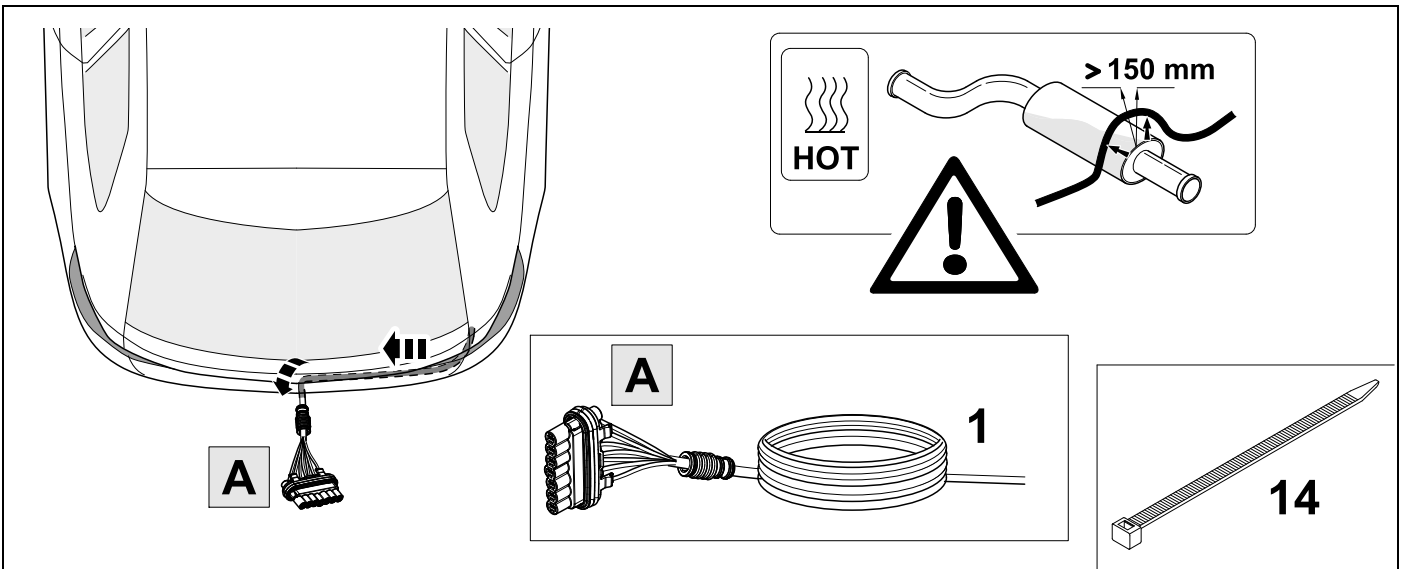
2 REMOVE



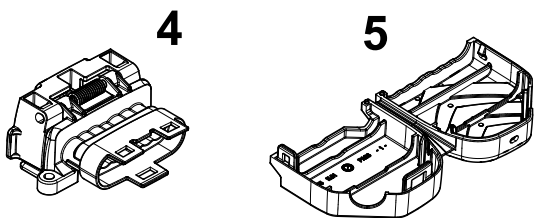
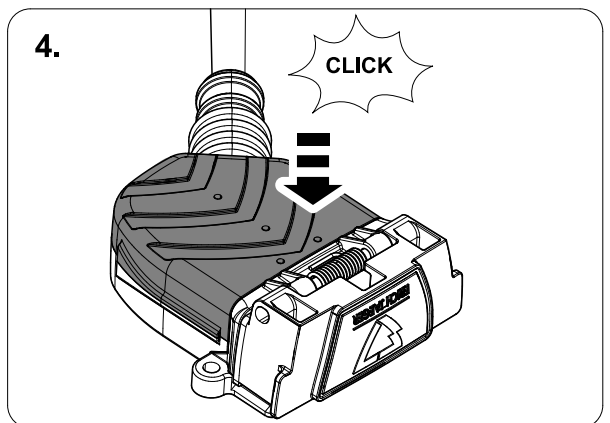
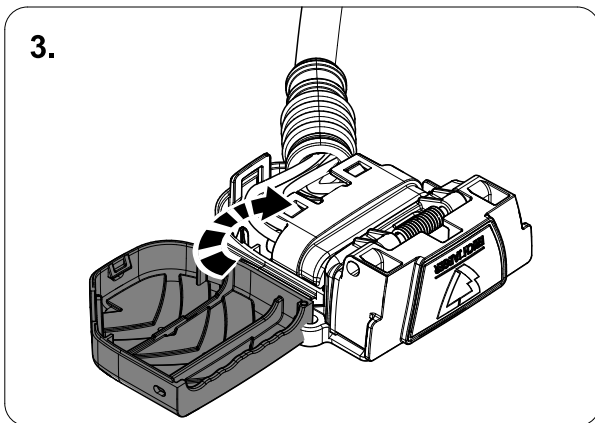
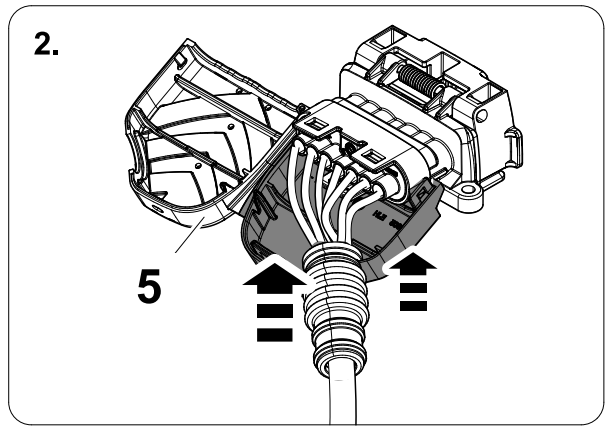
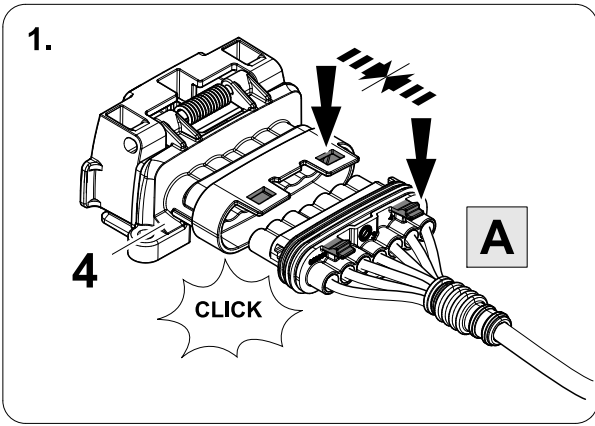
3



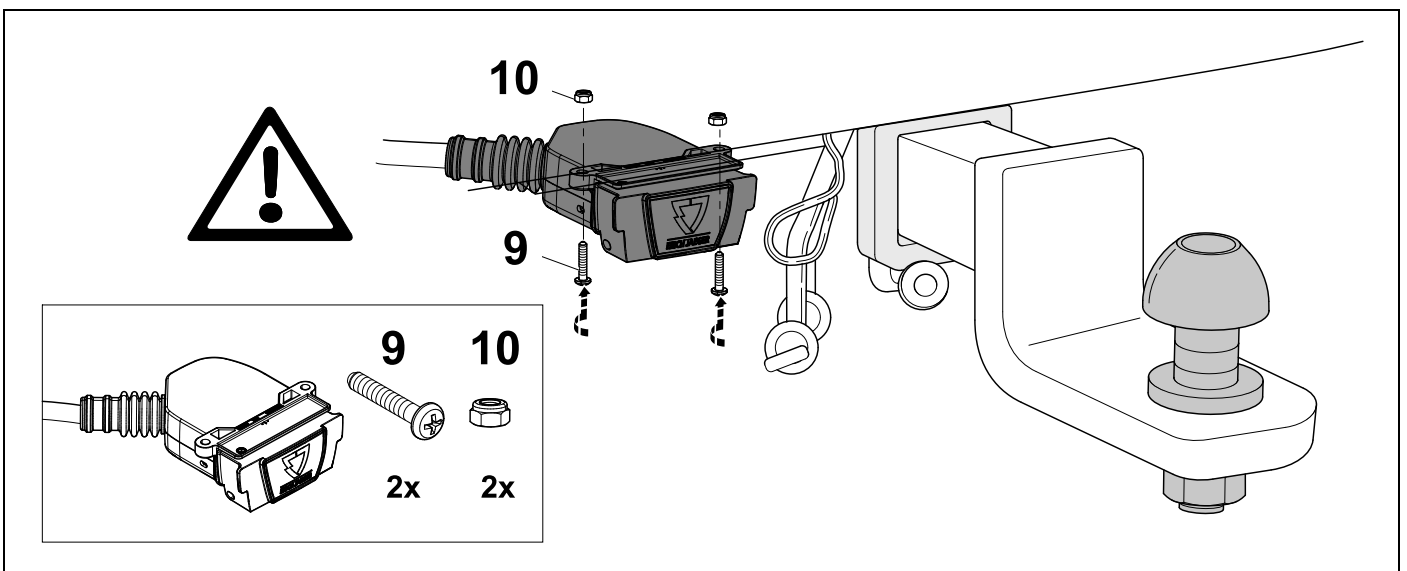
4



5



6



7



8

1	ye	
2	bk	
3	wh	
4	gn	
5	bu	
6	rd	
7	bn	

8	bk	wh	gy	gn	rd	bu	ye	bn	pu	or	no
---	----	----	----	----	----	----	----	----	----	----	----

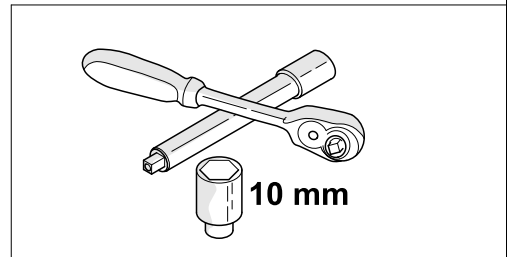
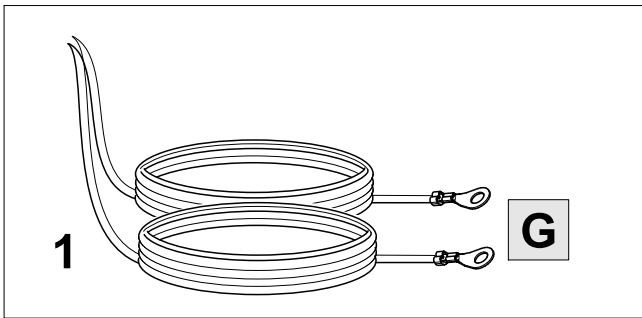
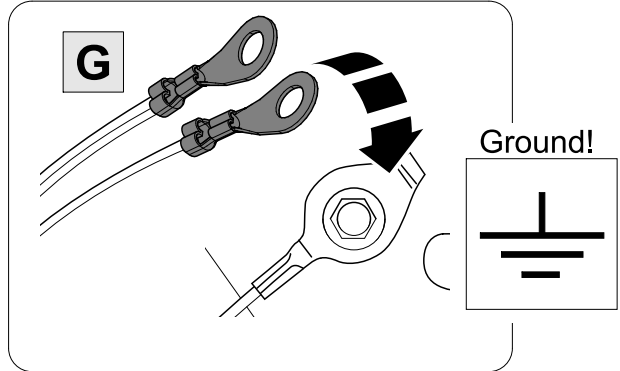
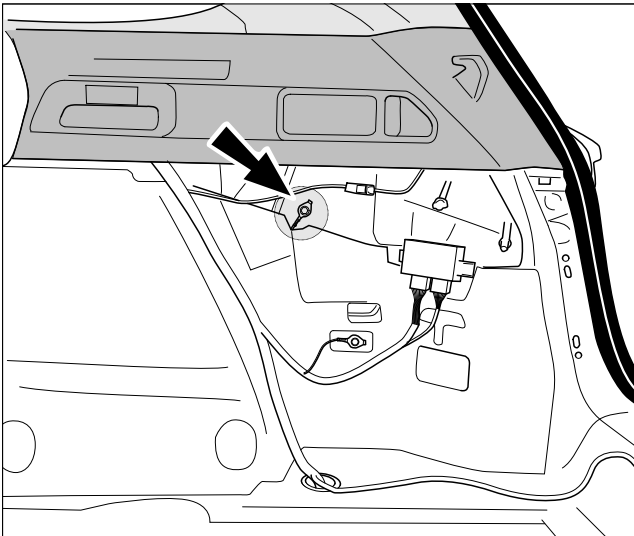
	black	white	grey	green	red	blue	yellow	brown	purple	orange	not occupied
--	-------	-------	------	-------	-----	------	--------	-------	--------	--------	--------------

9

Focus

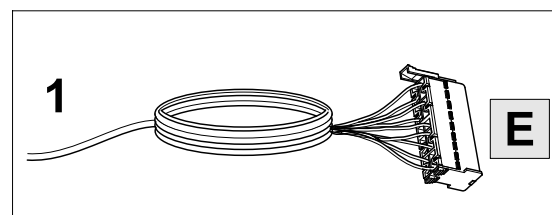
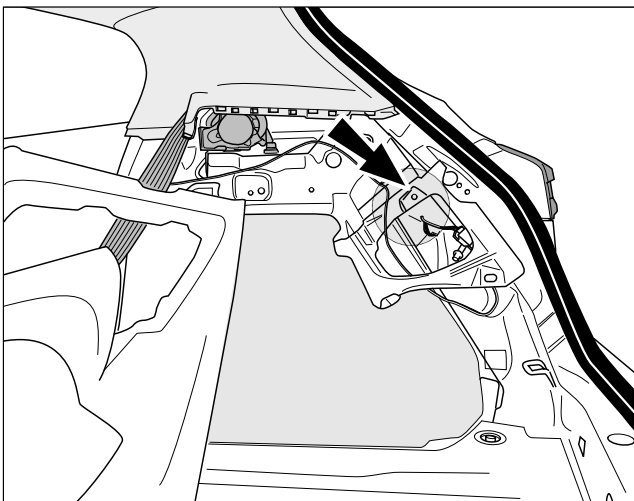
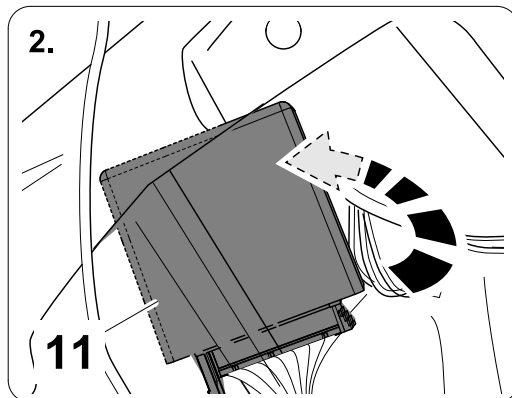
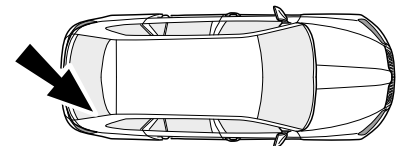
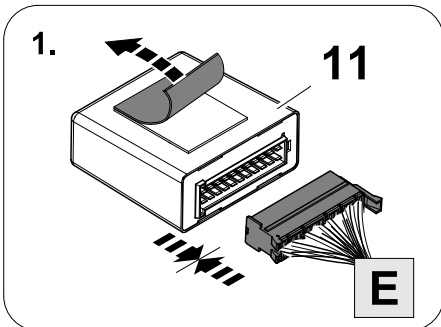
10

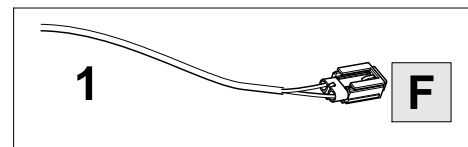
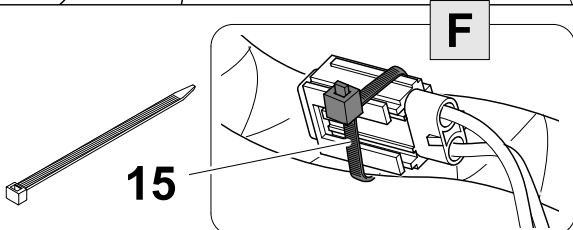
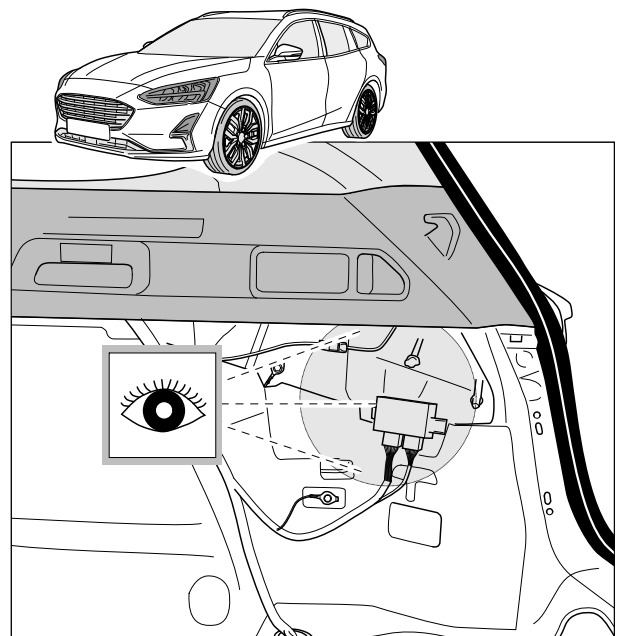
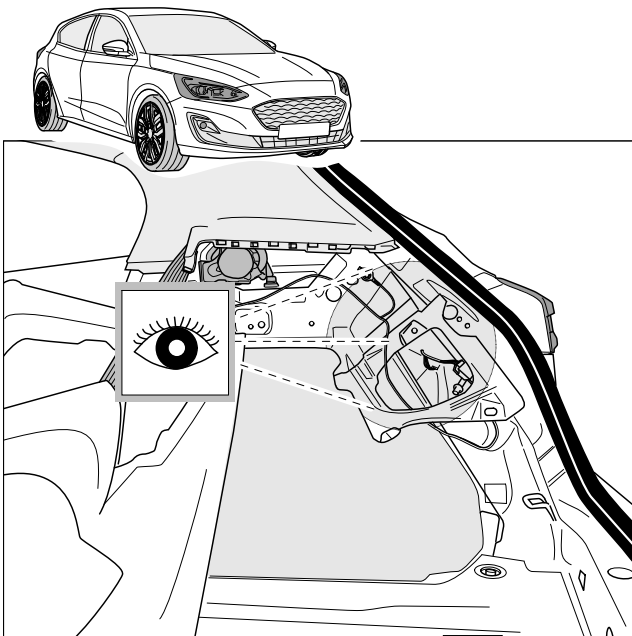
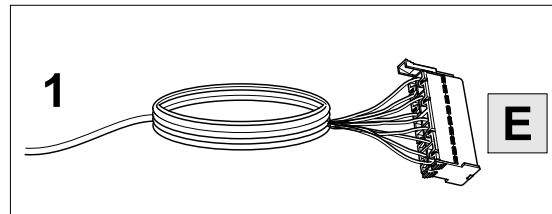
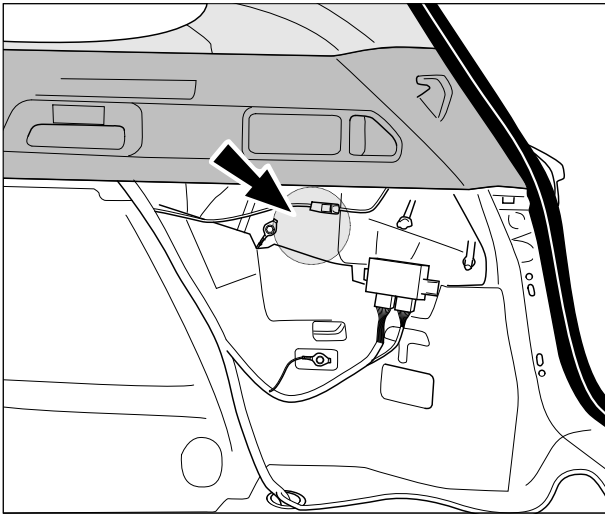
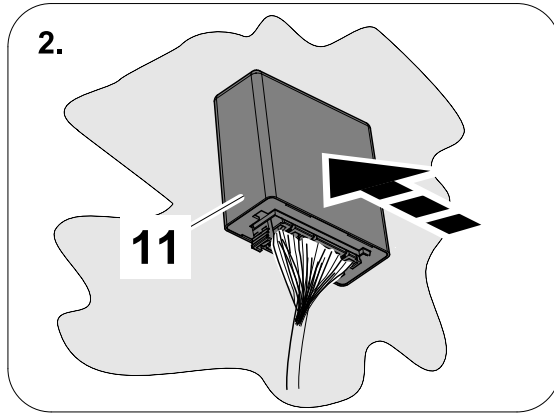
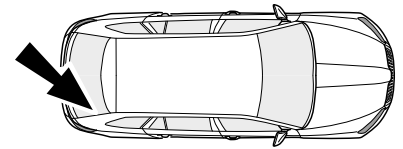
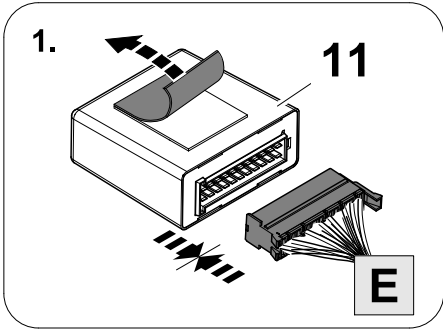
Focus Combi

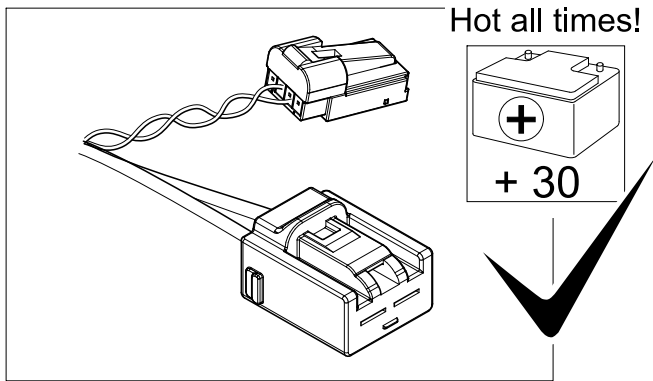
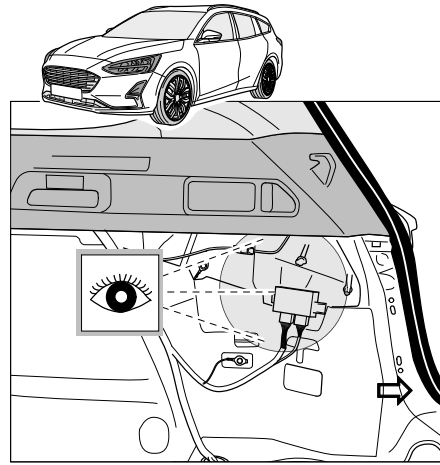
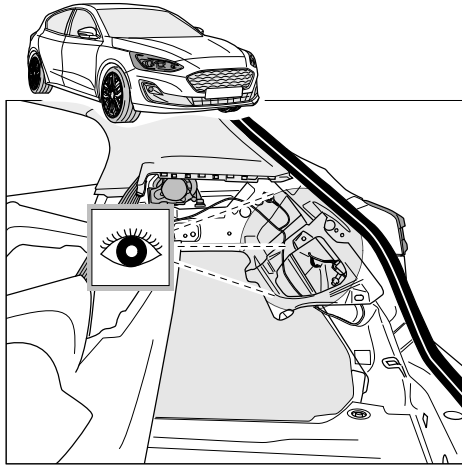


11

Focus



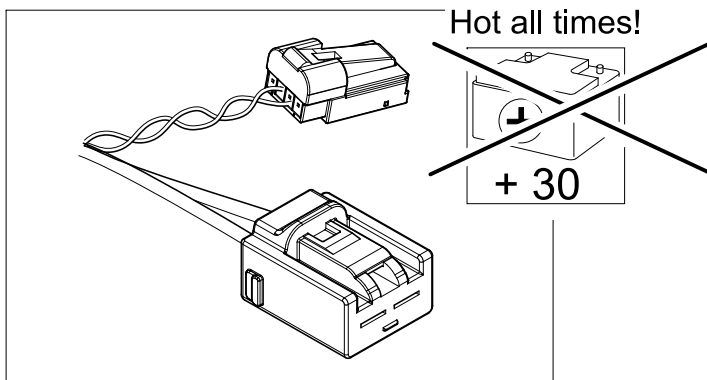




OPTION 1

15

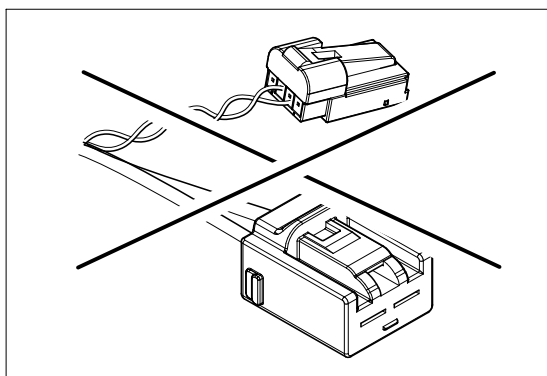
32 ⇒ **38**



OPTION 2

16 ⇒ **23**

32 ⇒ **38**

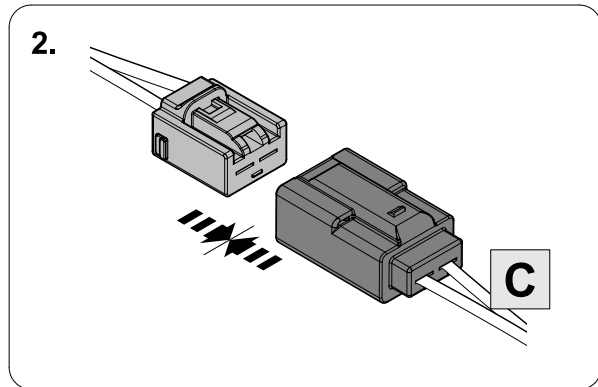
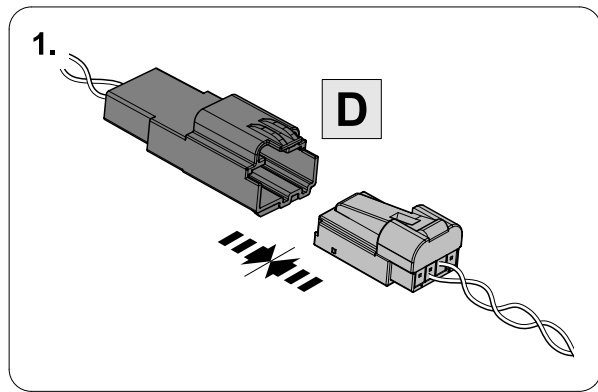
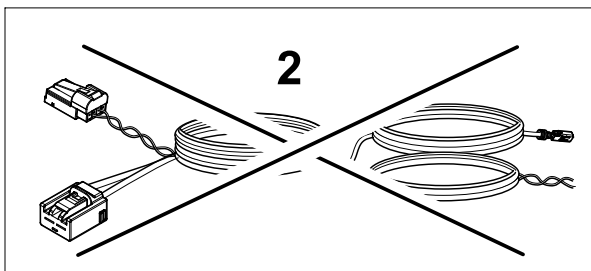
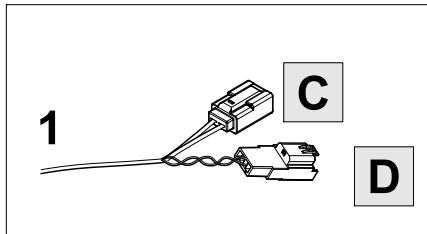
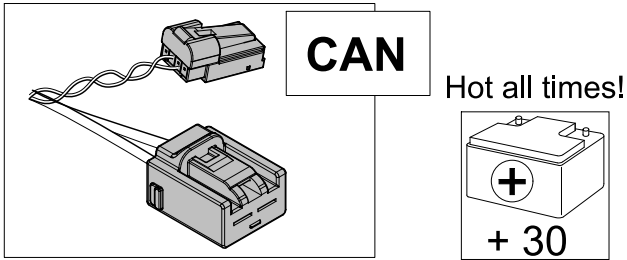


OPTION 3

24 ⇒ **38**

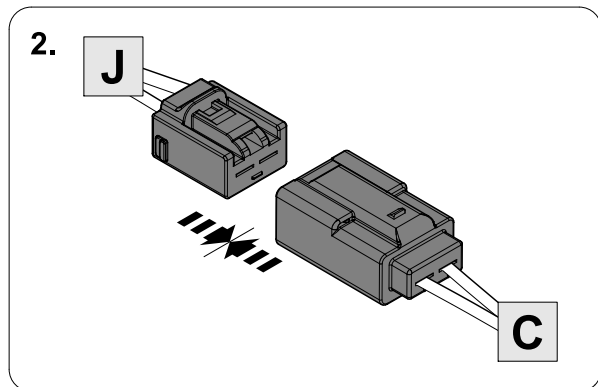
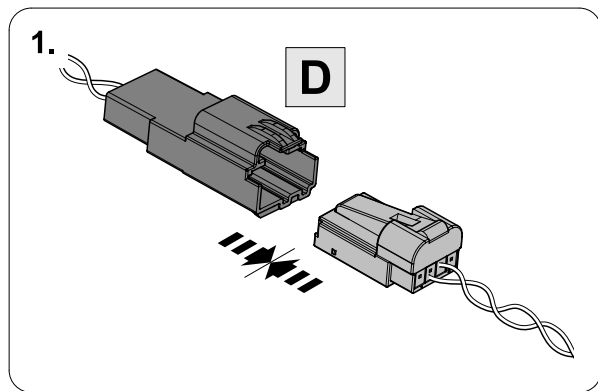
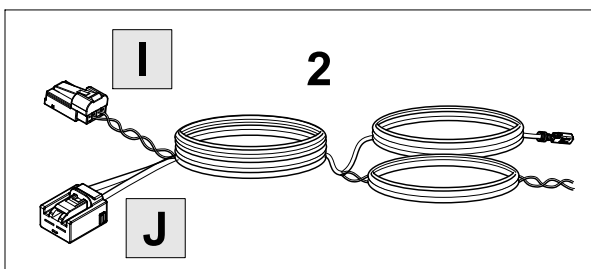
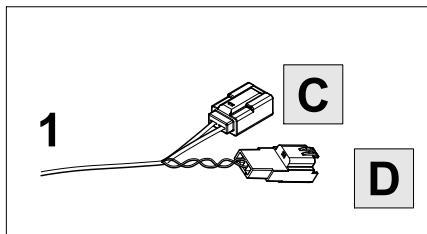
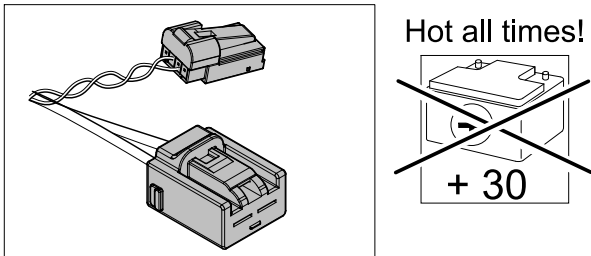
15

OPTION 1



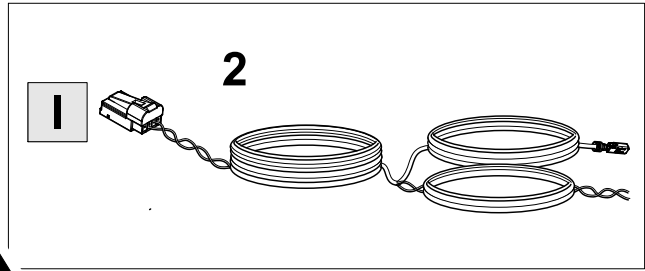
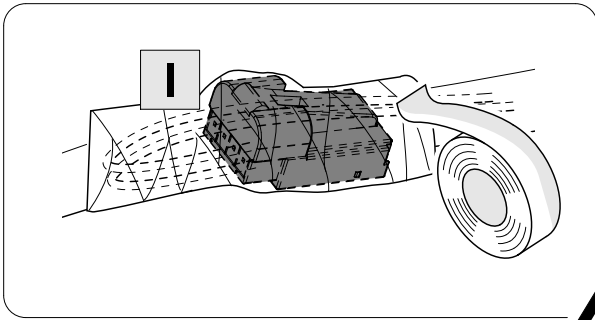
16

OPTION 2



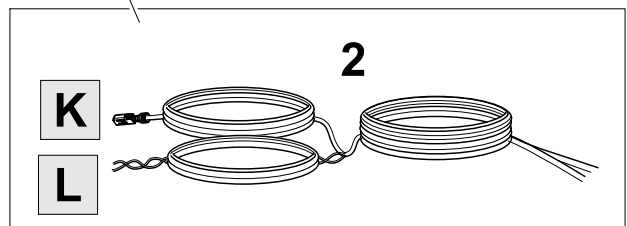
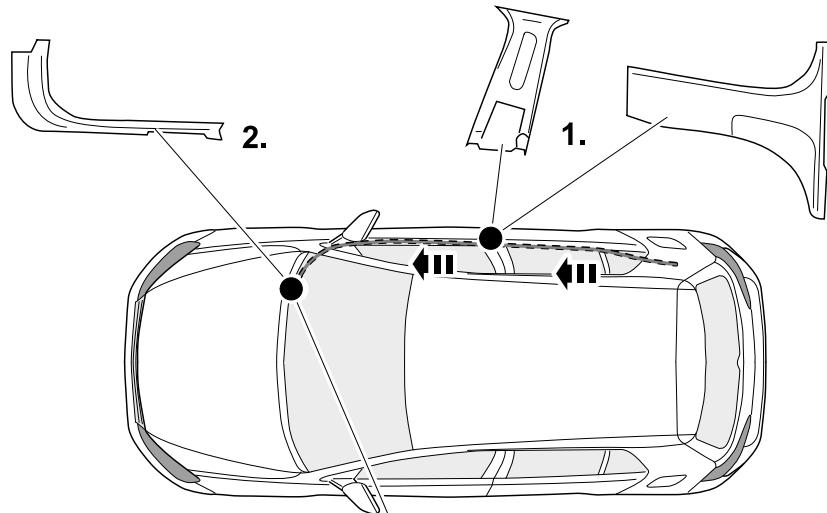
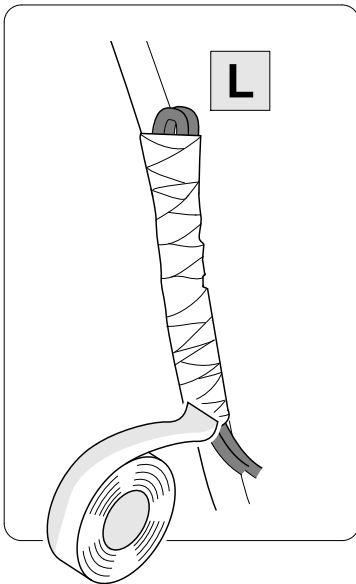
17

OPTION 2



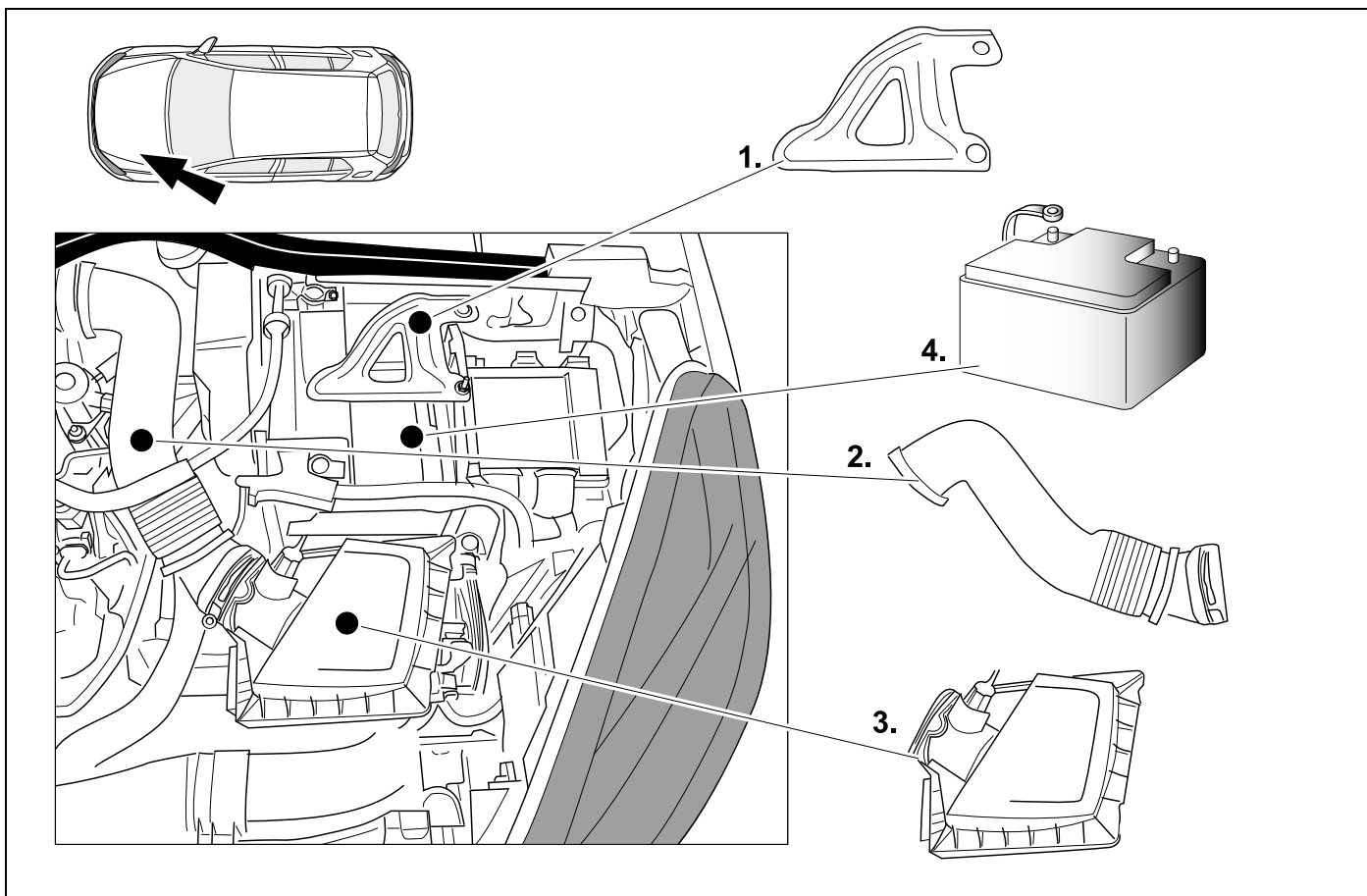
18 REMOVE

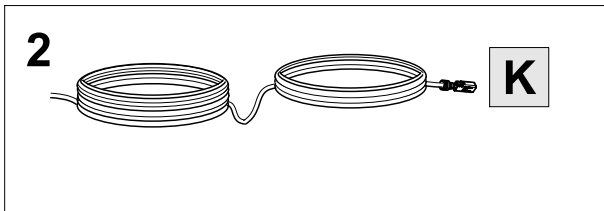
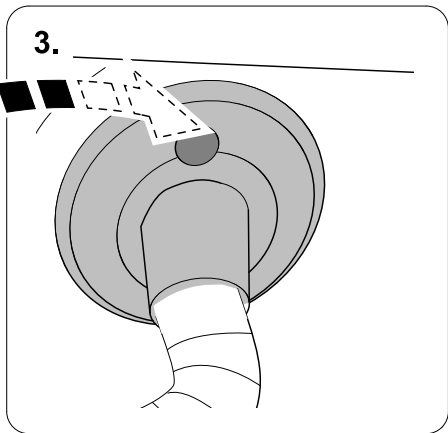
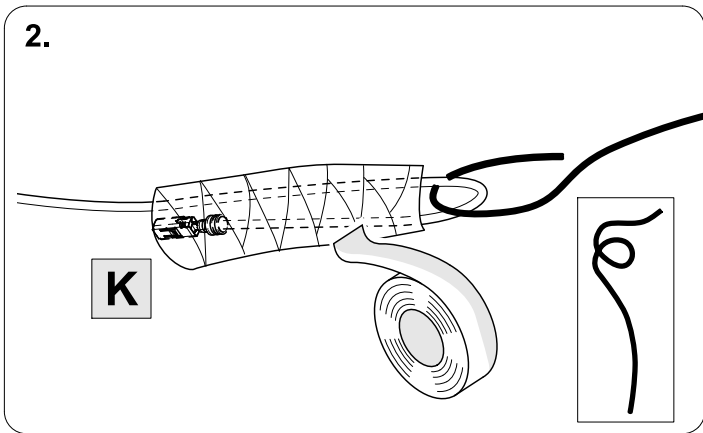
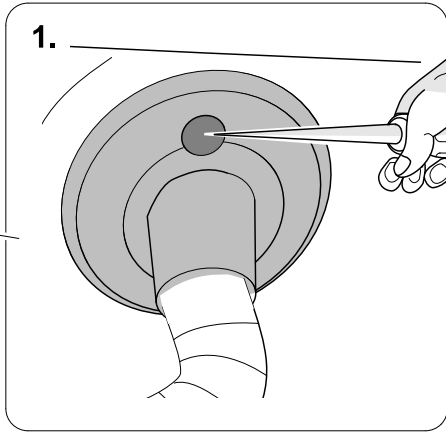
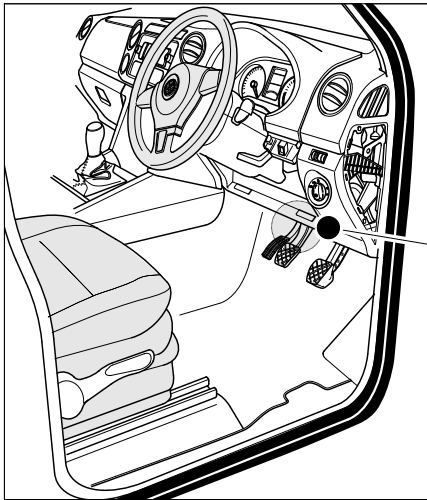
OPTION 2



19 REMOVE

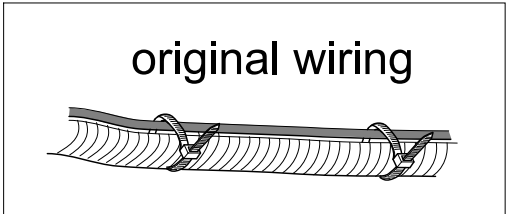
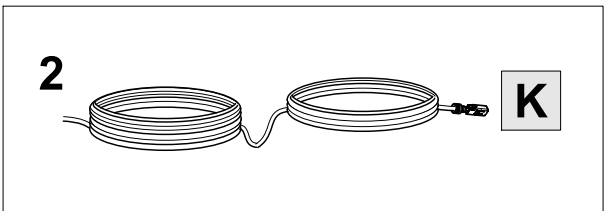
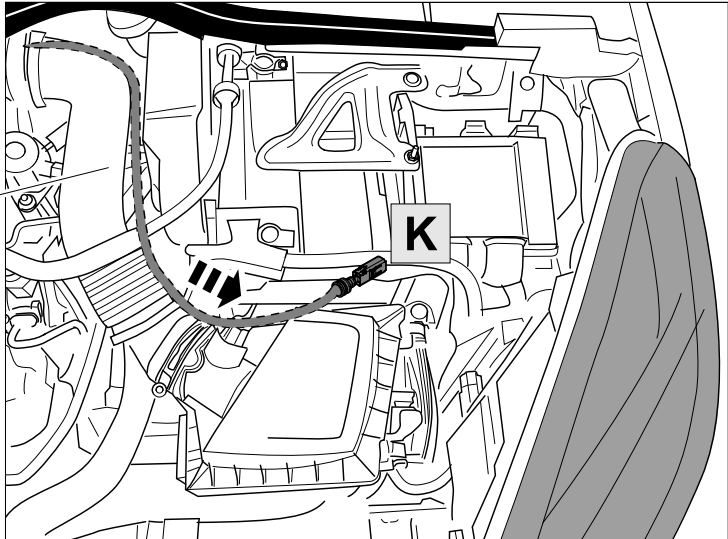
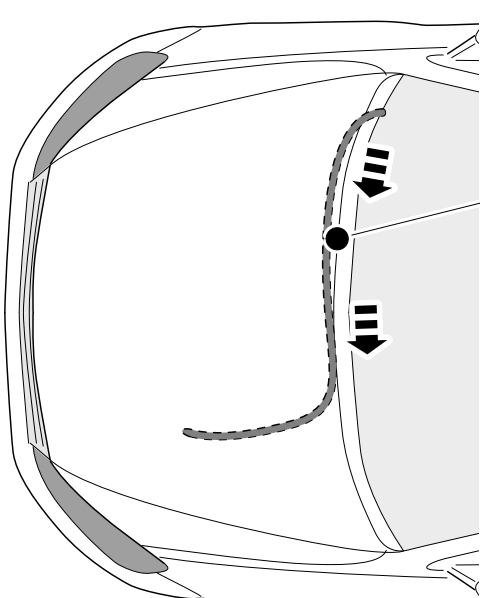
OPTION 2





21

OPTION 2

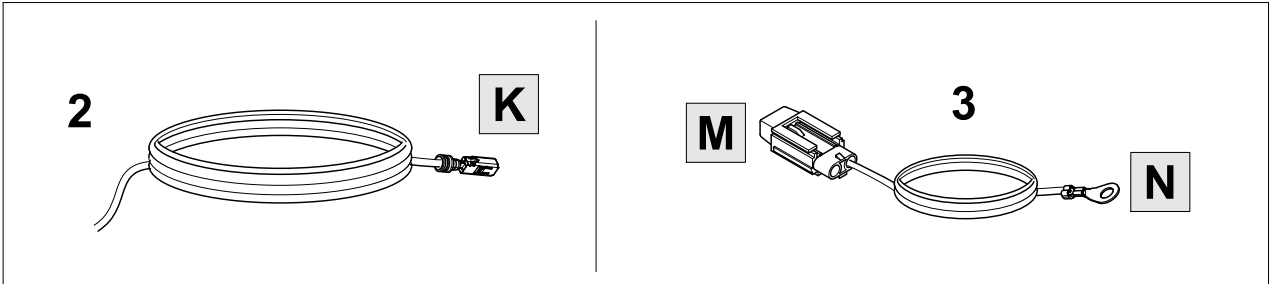
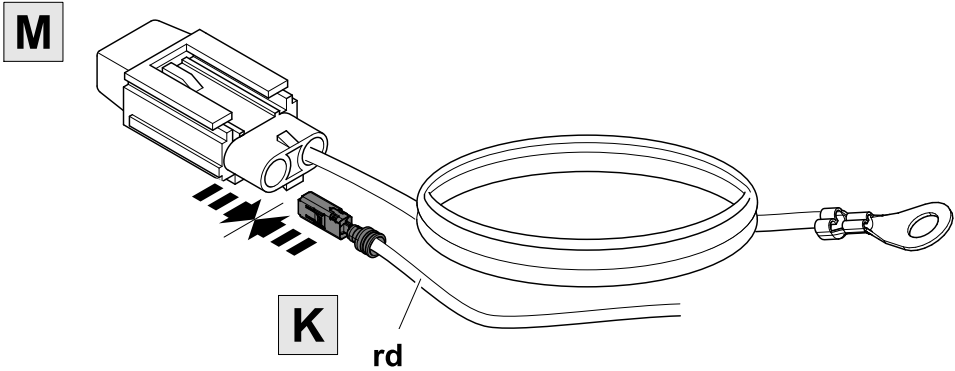


22



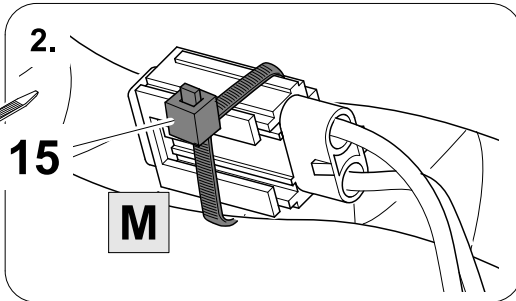
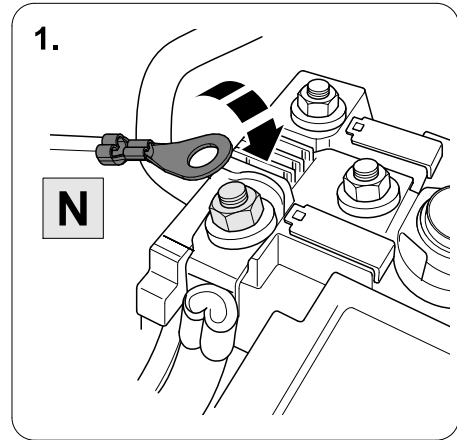
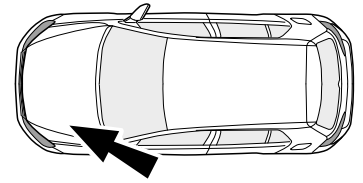
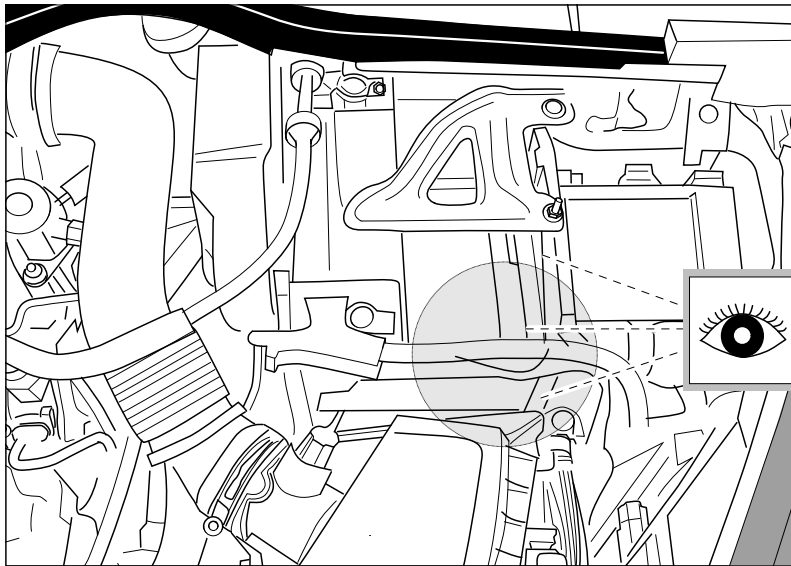
8 + 35

OPTION 2

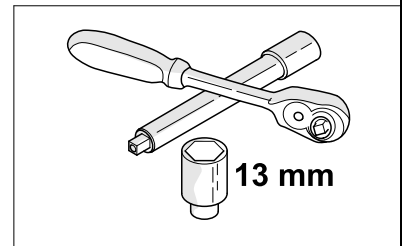
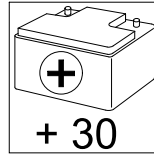




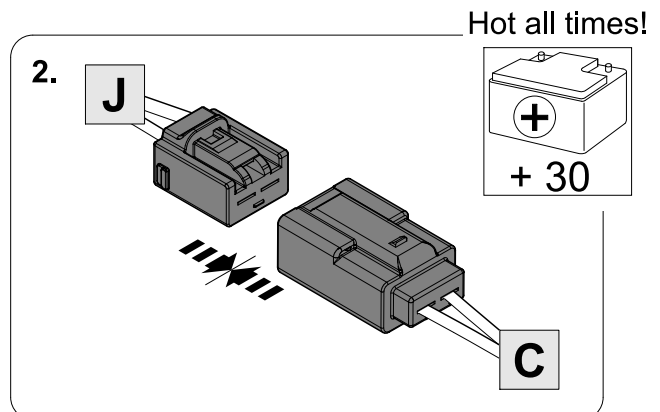
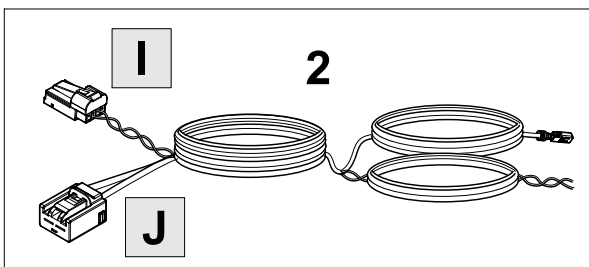
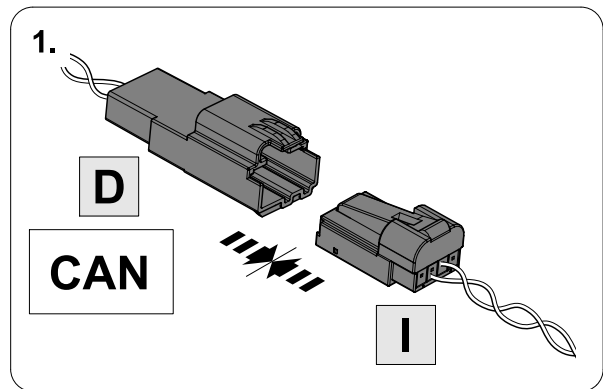
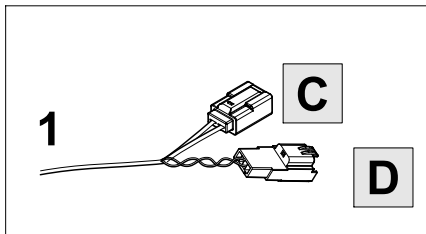
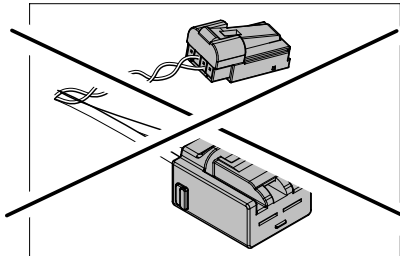
OPTION 2



Hot all times!

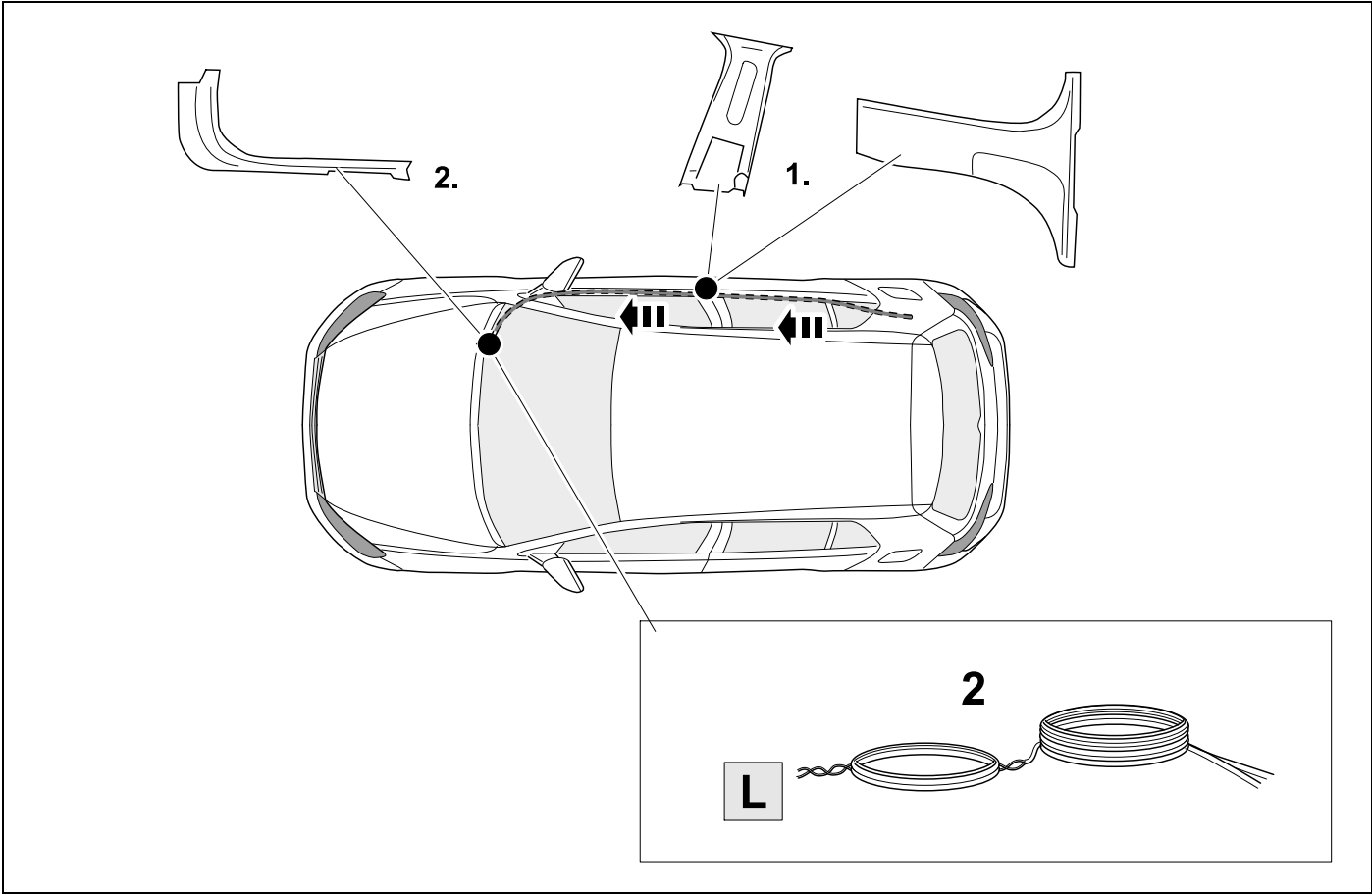


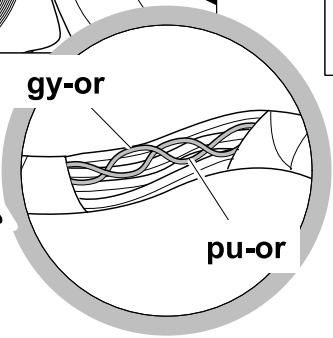
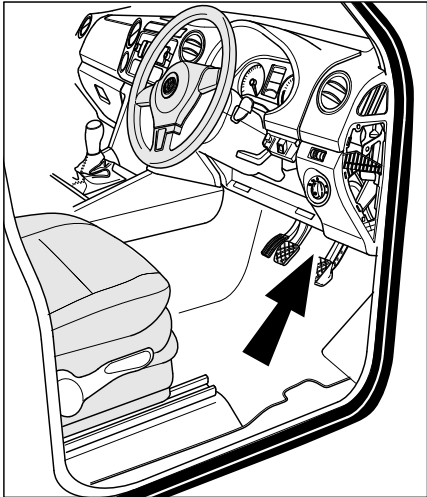
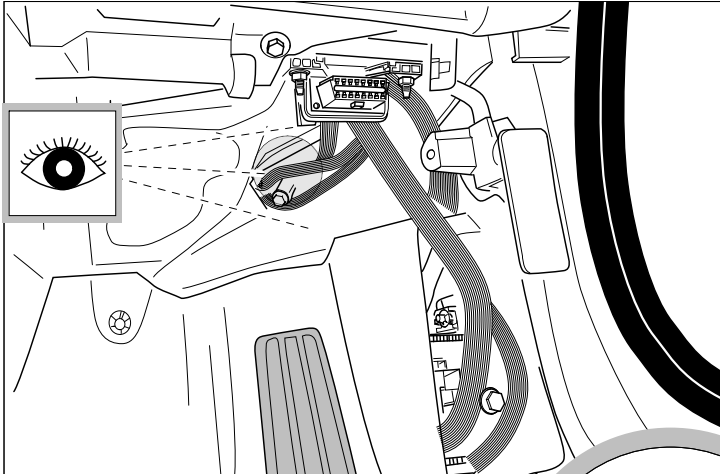
OPTION 3



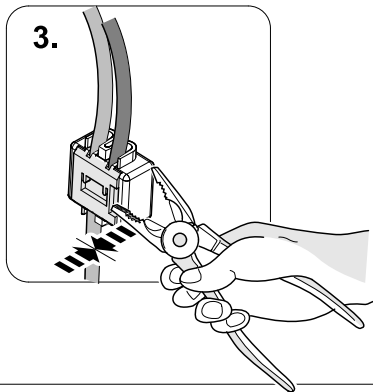
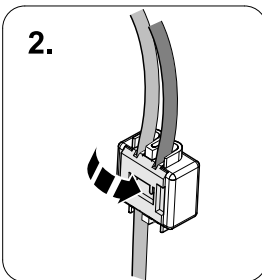
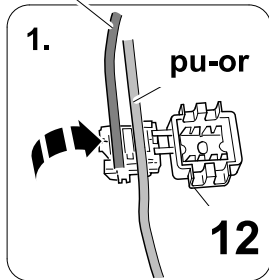
25 REMOVE

OPTION 3

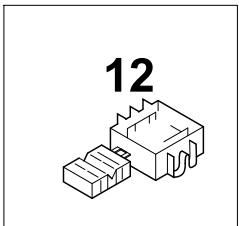
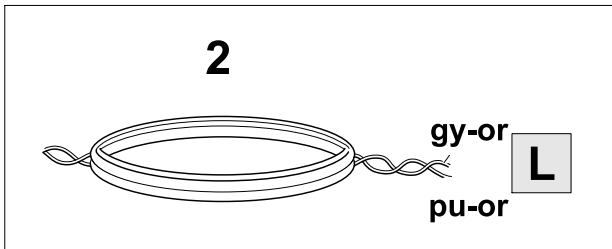
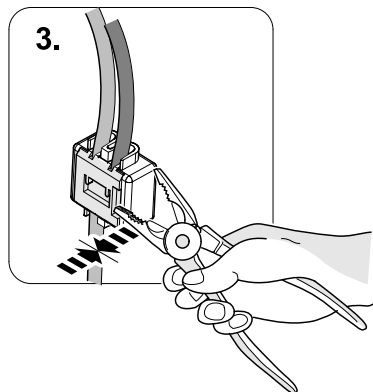
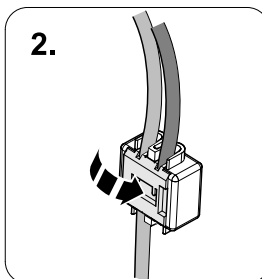
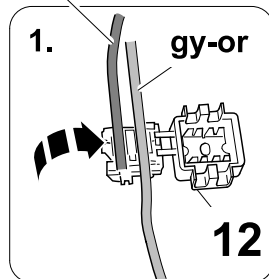




pu-or **L**

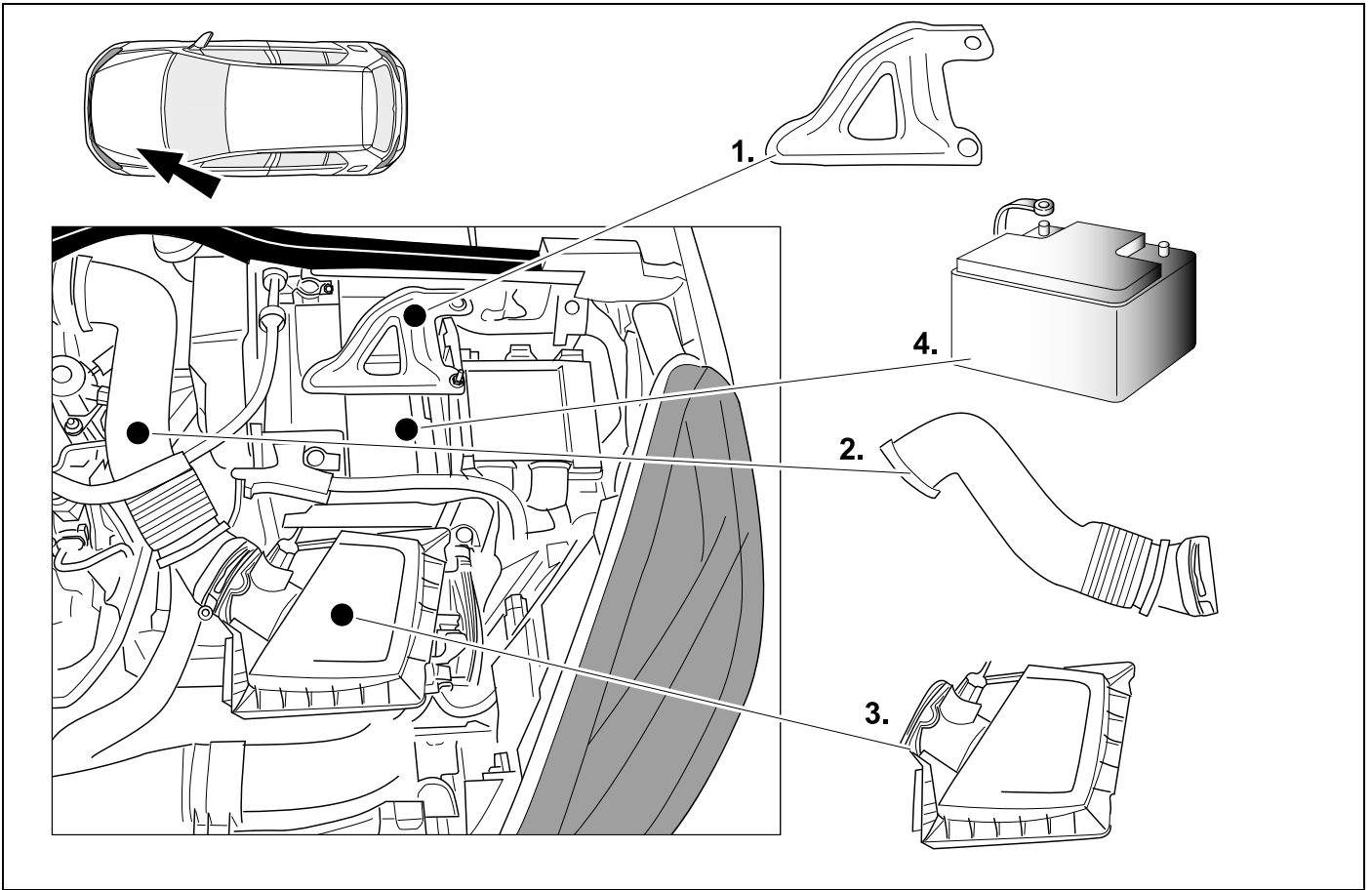


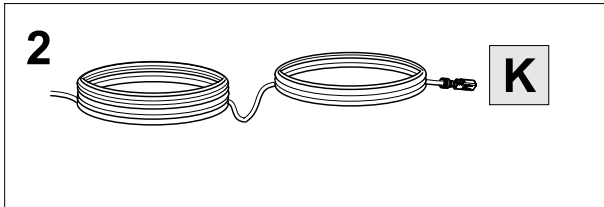
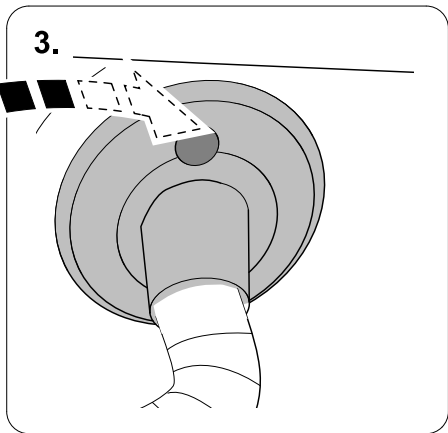
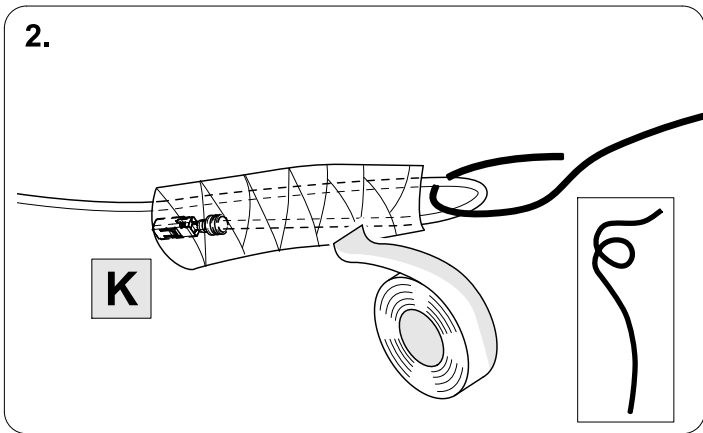
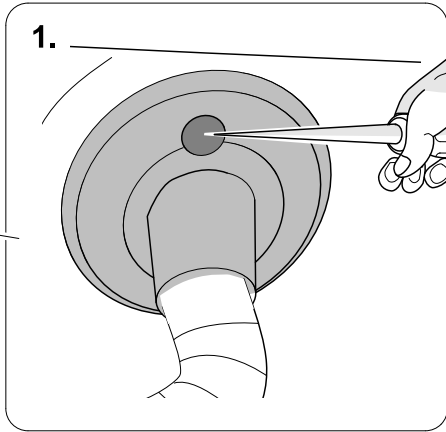
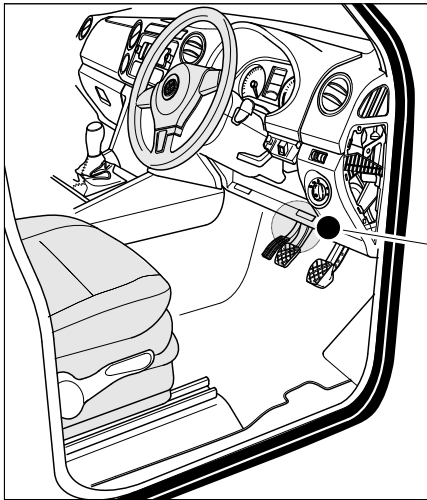
gy-or **L**

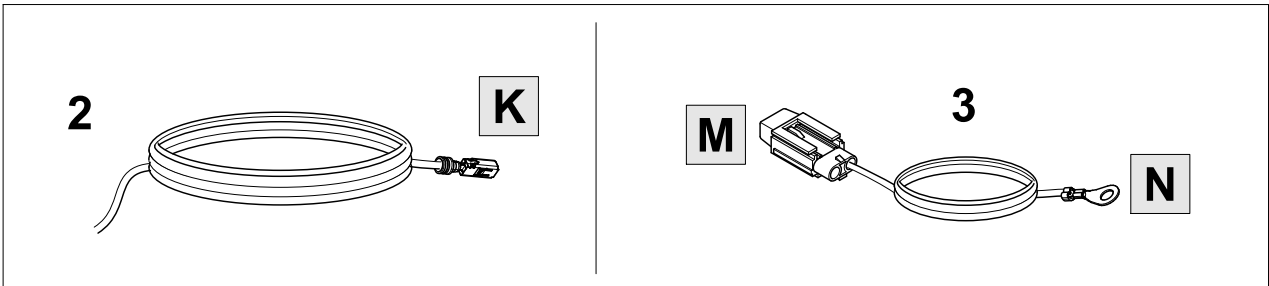
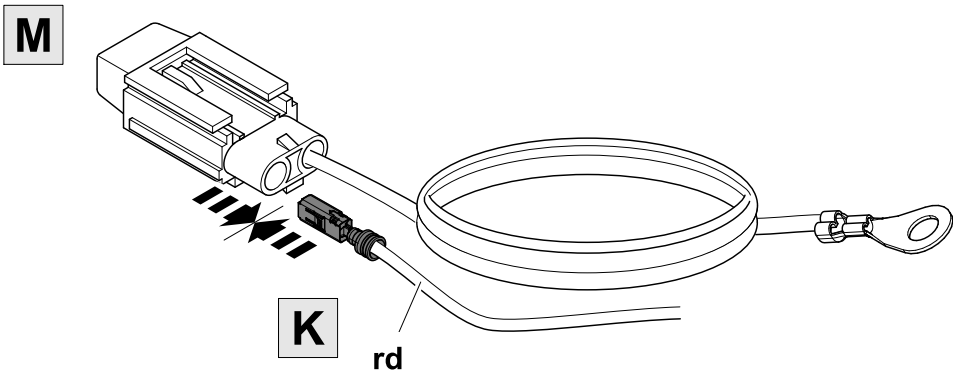
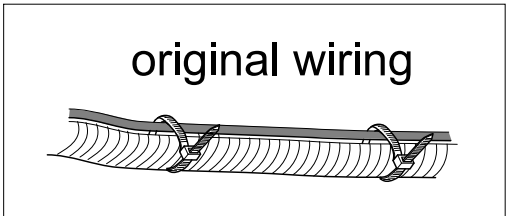
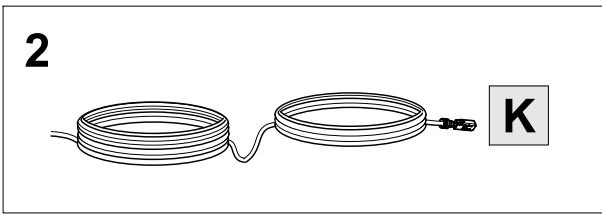
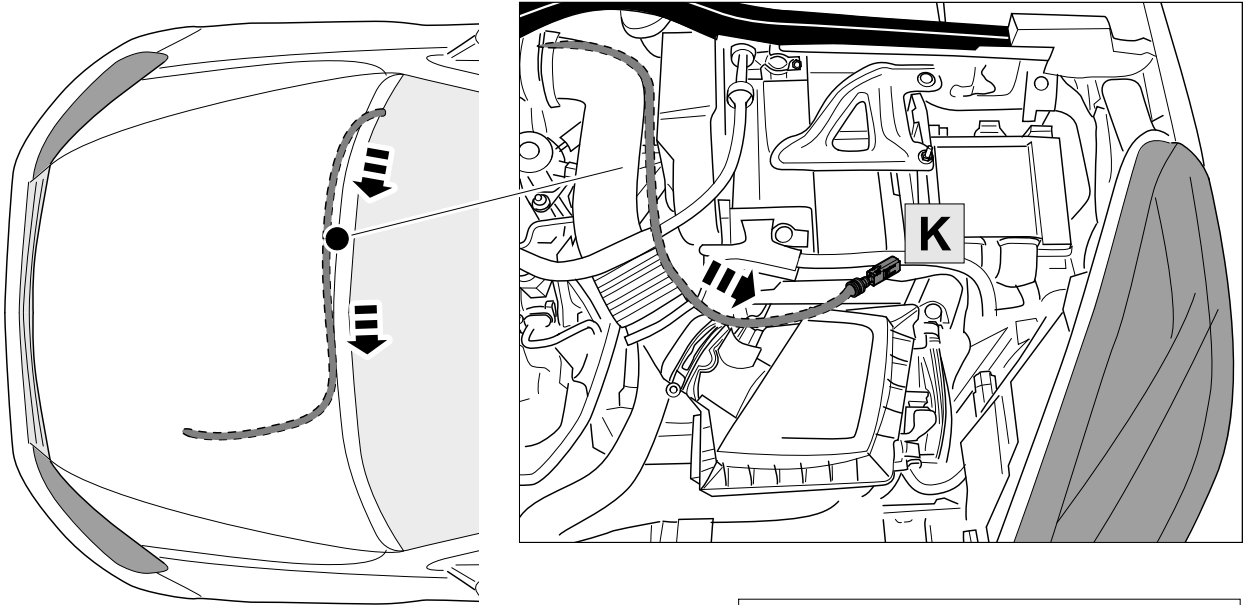


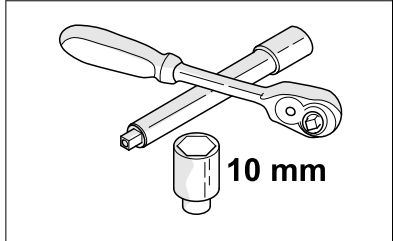
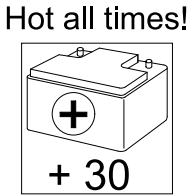
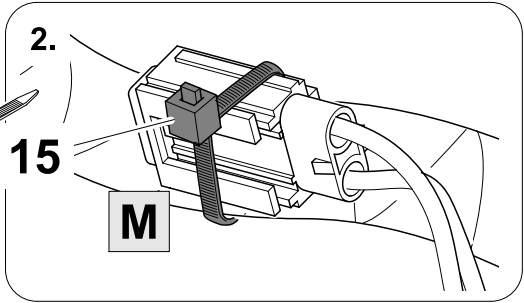
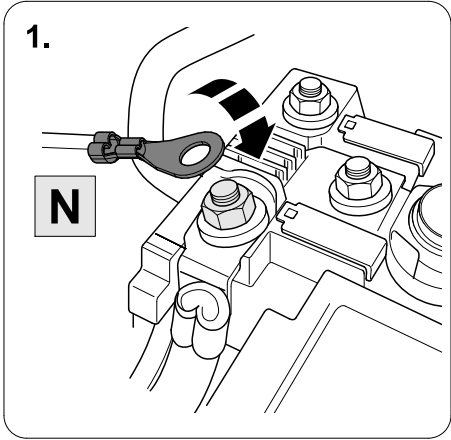
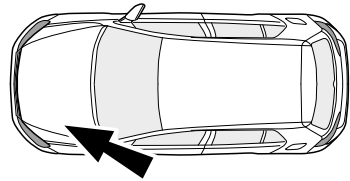
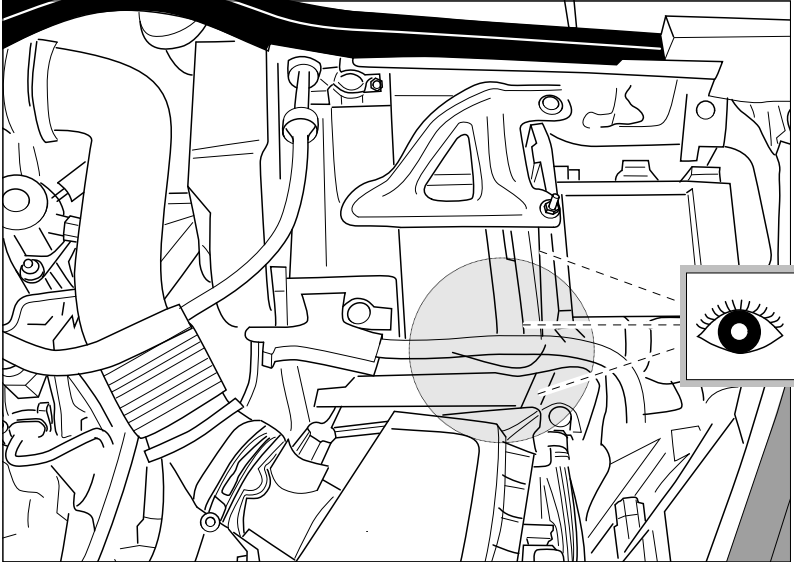
27 REMOVE

OPTION 3



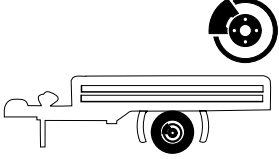




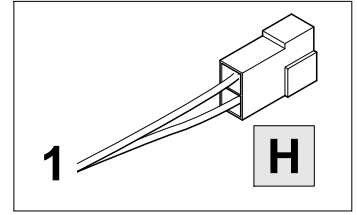




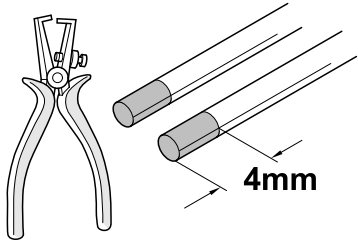
**BRAKE
CONTROLLER
PREPARED**



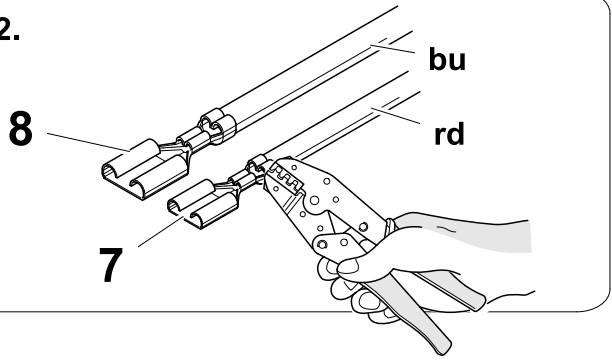
Trailer Brake Preparation



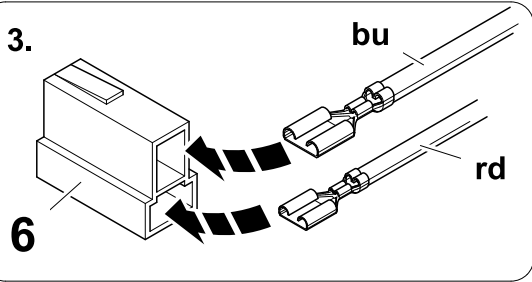
1.



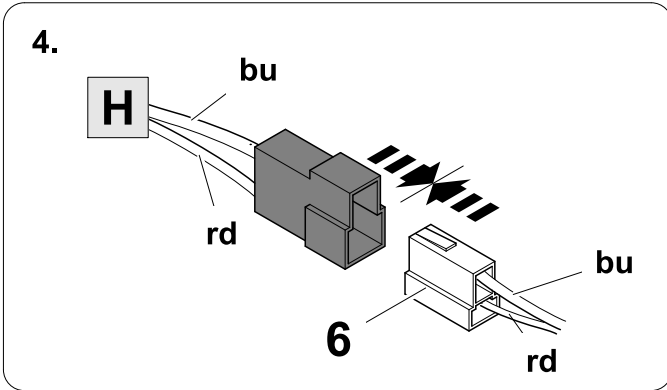
2.



3.



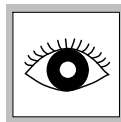
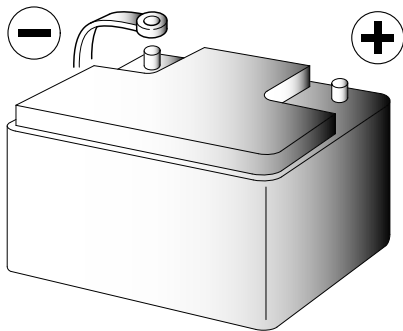
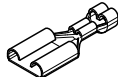
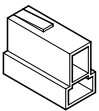
4.



6

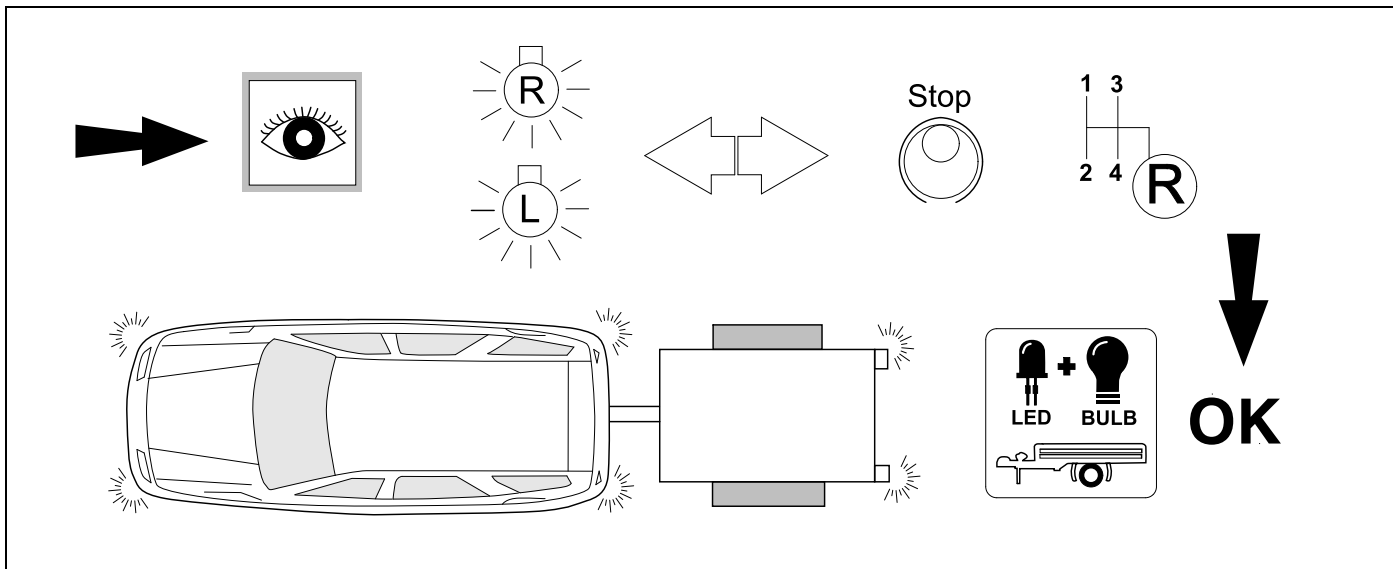
7

8



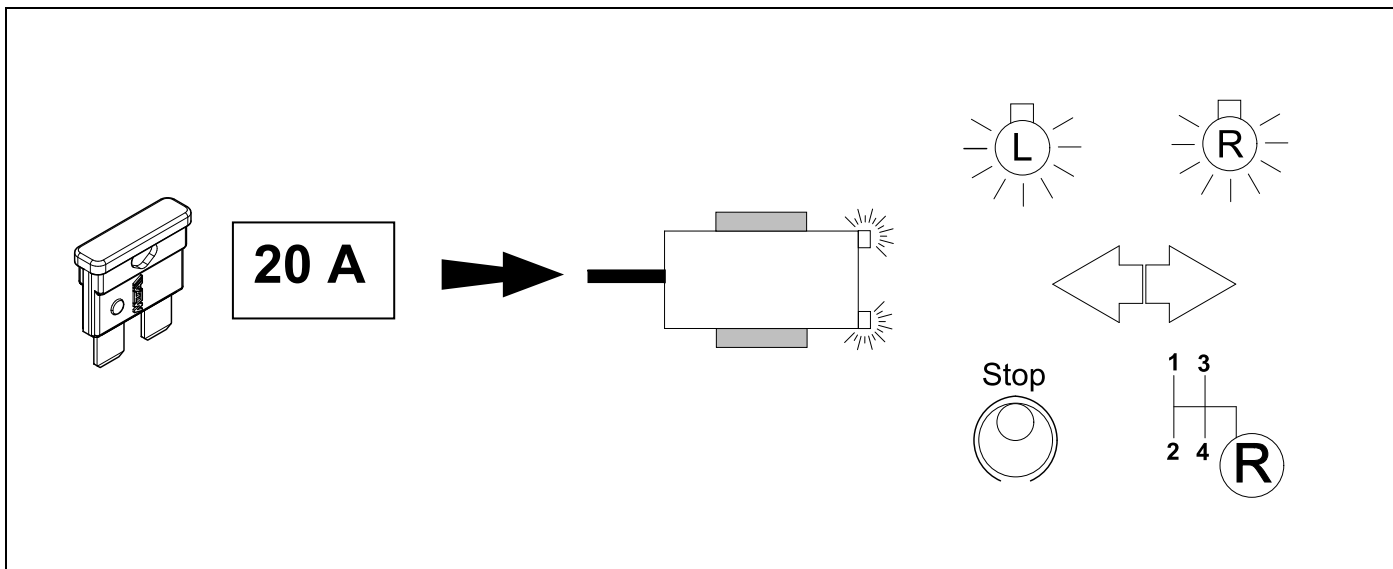
34

CHECK ALL LIGHTING FUNCTIONS



35

👁️ ⇒ 13 23 31



36

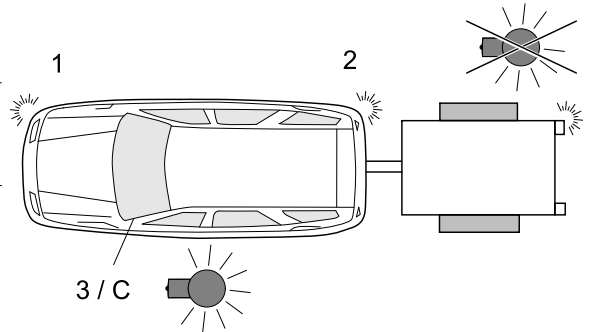
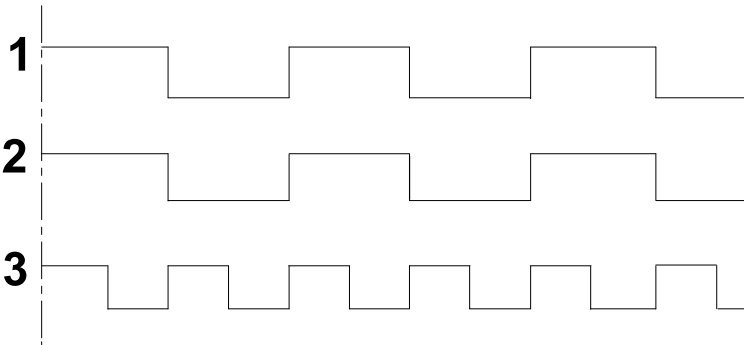
VEHICLE CODING

- . **Connect with FordEtis**
- . **Dealer registration**
- . **Vehicle: enter VIN**
- . **Vehicle software**
- . **Changes and Upgrades**
- . **Configuration of towbar**

37

CHECK BULB OUT DETECTION

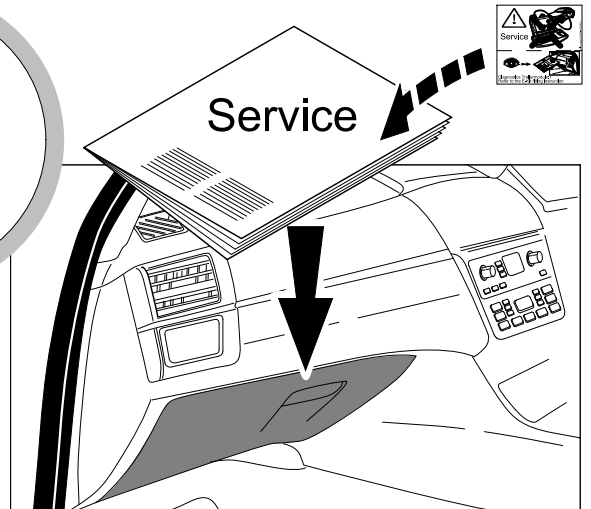
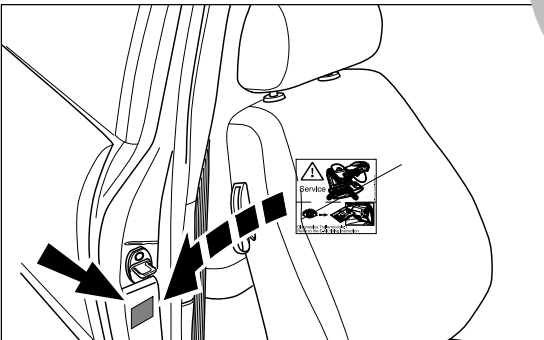
BULB OUT CONDITION INDICATED WITH INCREASED INDICATOR FREQUENCY



38

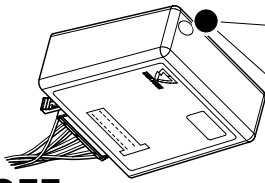
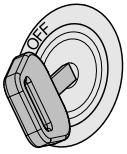


2x 13



Status LED for self-diagnosis

Operation support



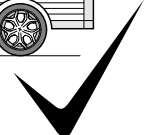
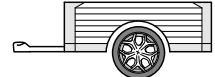
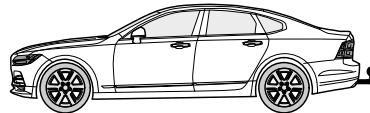
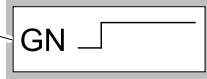
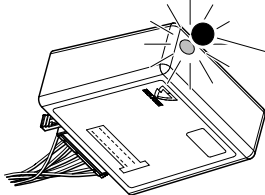
No CAN-Data =



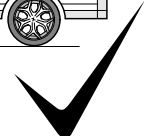
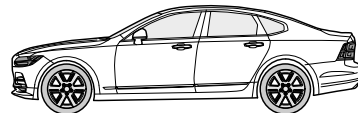
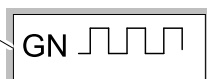
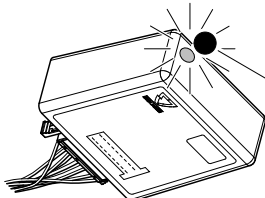
Standby / Sleepmode



Ignition OFF



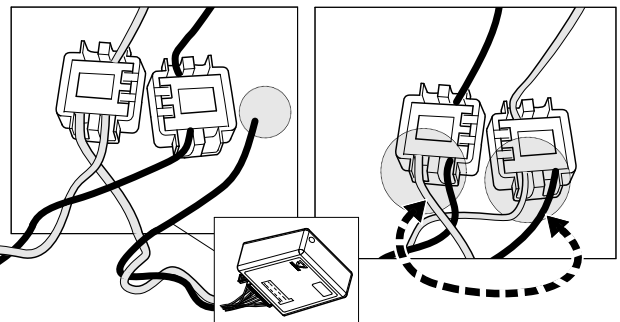
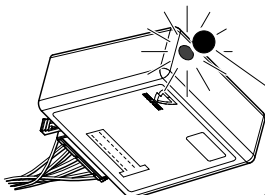
Ignition ON



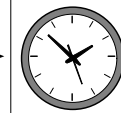
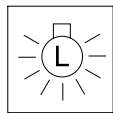
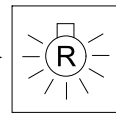
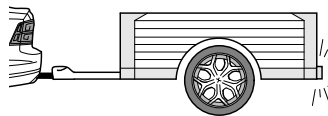
Ignition ON

Failure support

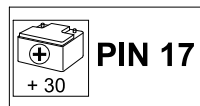
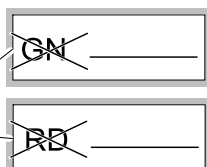
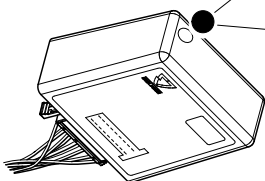
Check CAN-Data Wire



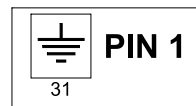
Ignition ON



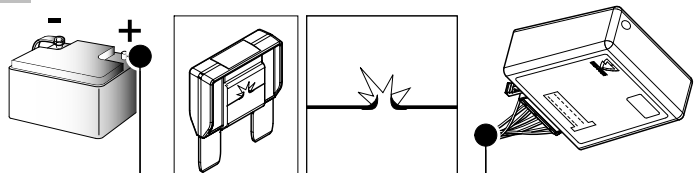
1x max 5 min.

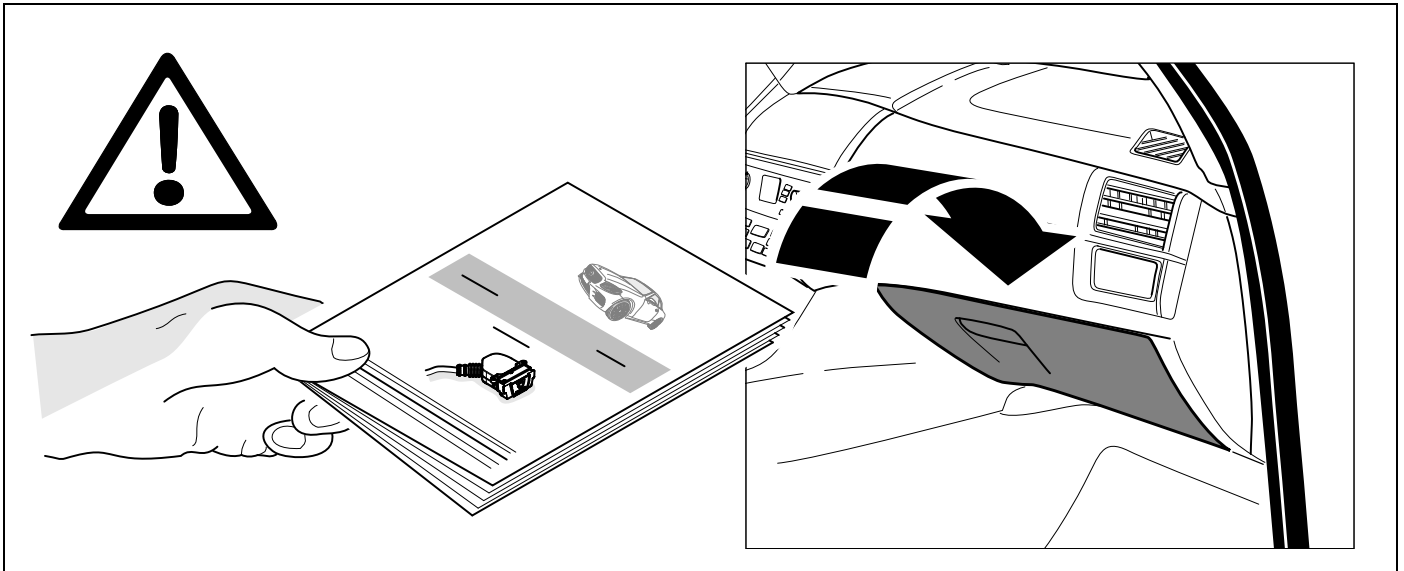


oder / or



Ignition ON





Subject to change in terms of construction, equipment and colour, and may contain errors.
The information and illustrations are non-binding.

Scan this for our full E-Kit catalogue

