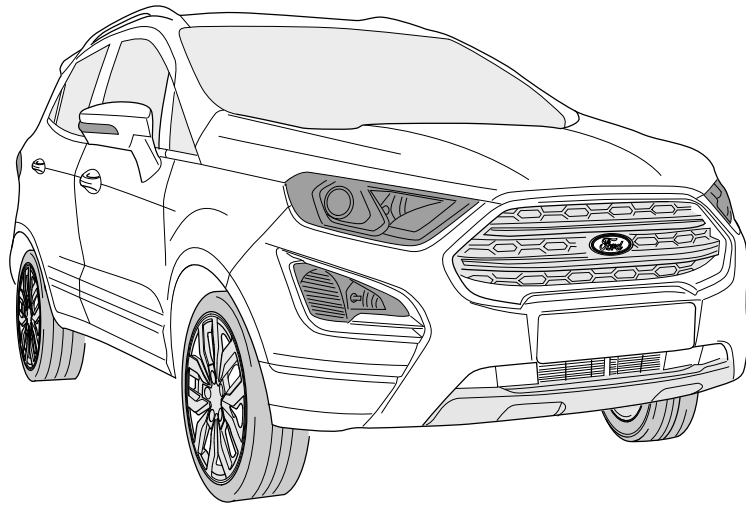




ERICH JAEGER

# Installation instructions



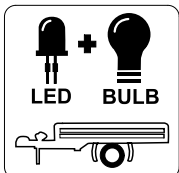
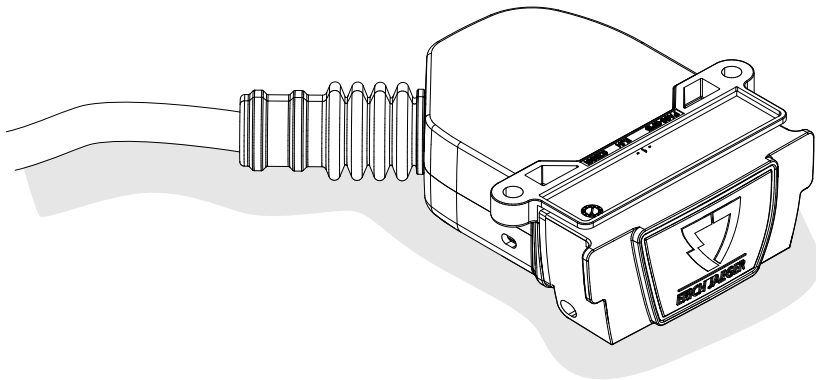
## 750111EJ

### FORD Ecosport

01/18 >>



SCAN FOR  
LATEST  
INSTRUCTIONS



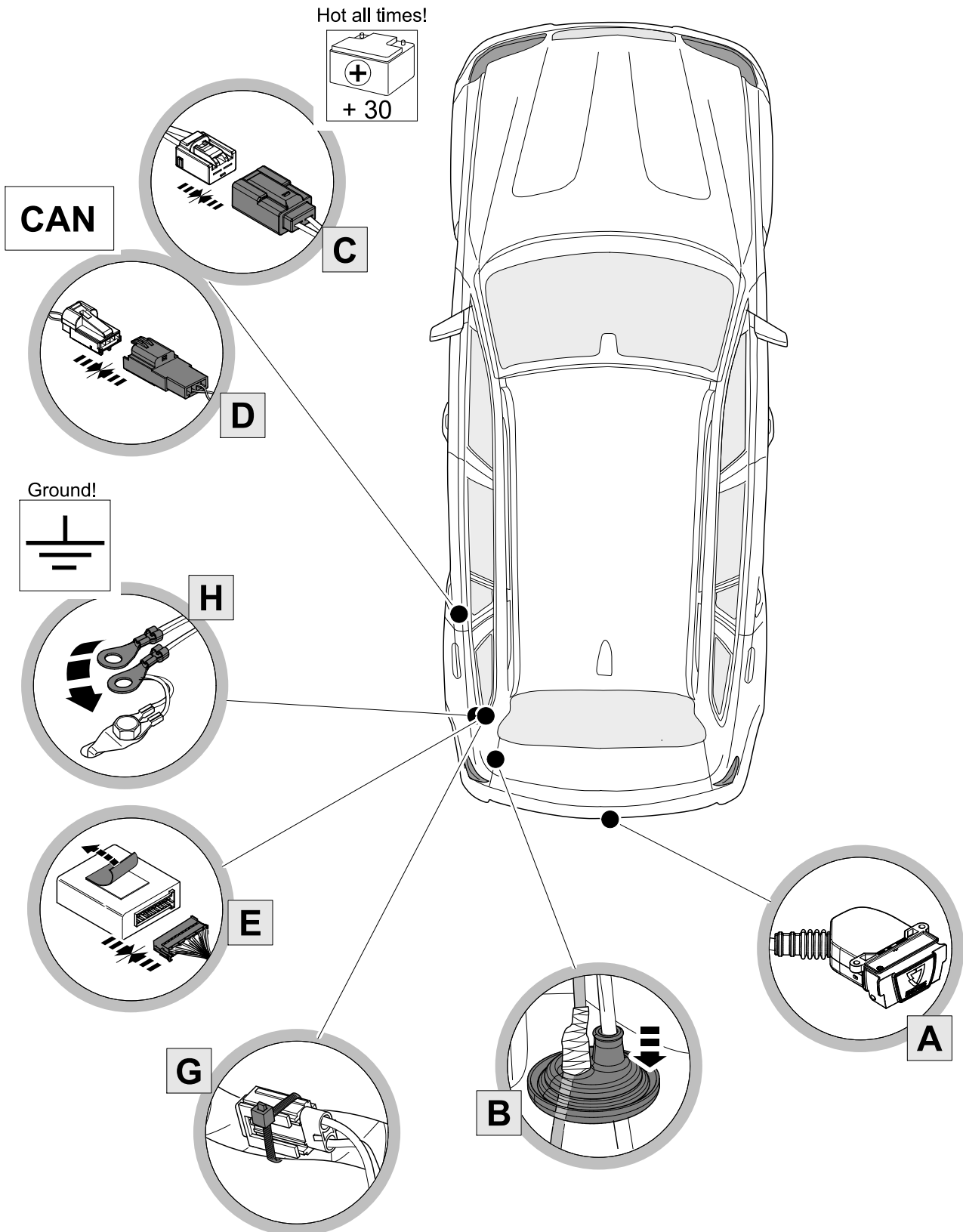
### Reference:

The following information must be reviewed before beginning the assembly:

- The installation instructions are to be thoroughly read.
- The installation should be carried out by qualified personnel with the relevant technical knowledge.
- The vehicle manufacturers' current technical notices and information on retrofitting must be followed.
- The removal and replacement instructions found in the current repair manuals must be followed.
- It must be ensured that the vehicle is technically suitable for the installation of a trailer hitch.

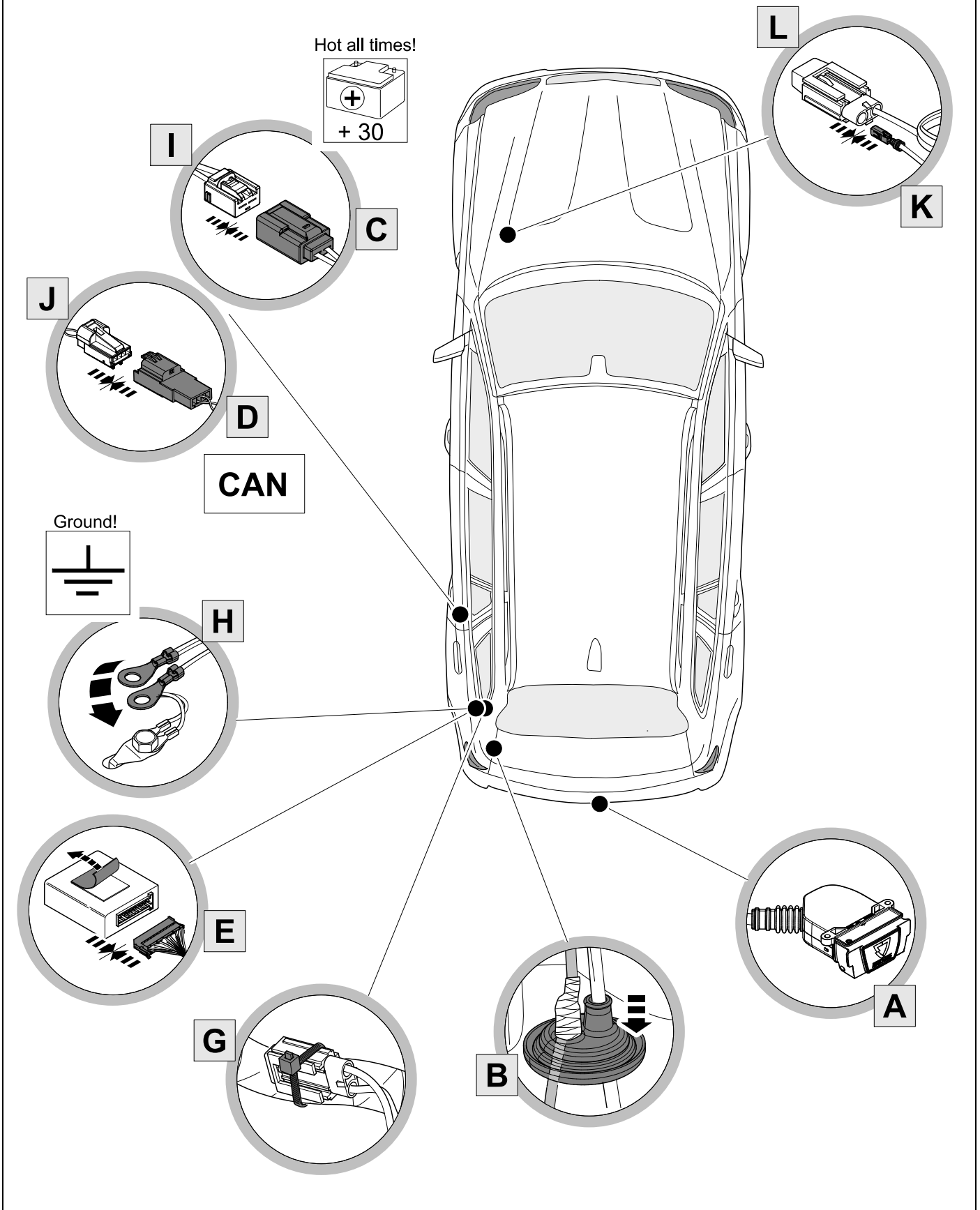
# OVERVIEW

## Vehicle with preparation (full function)



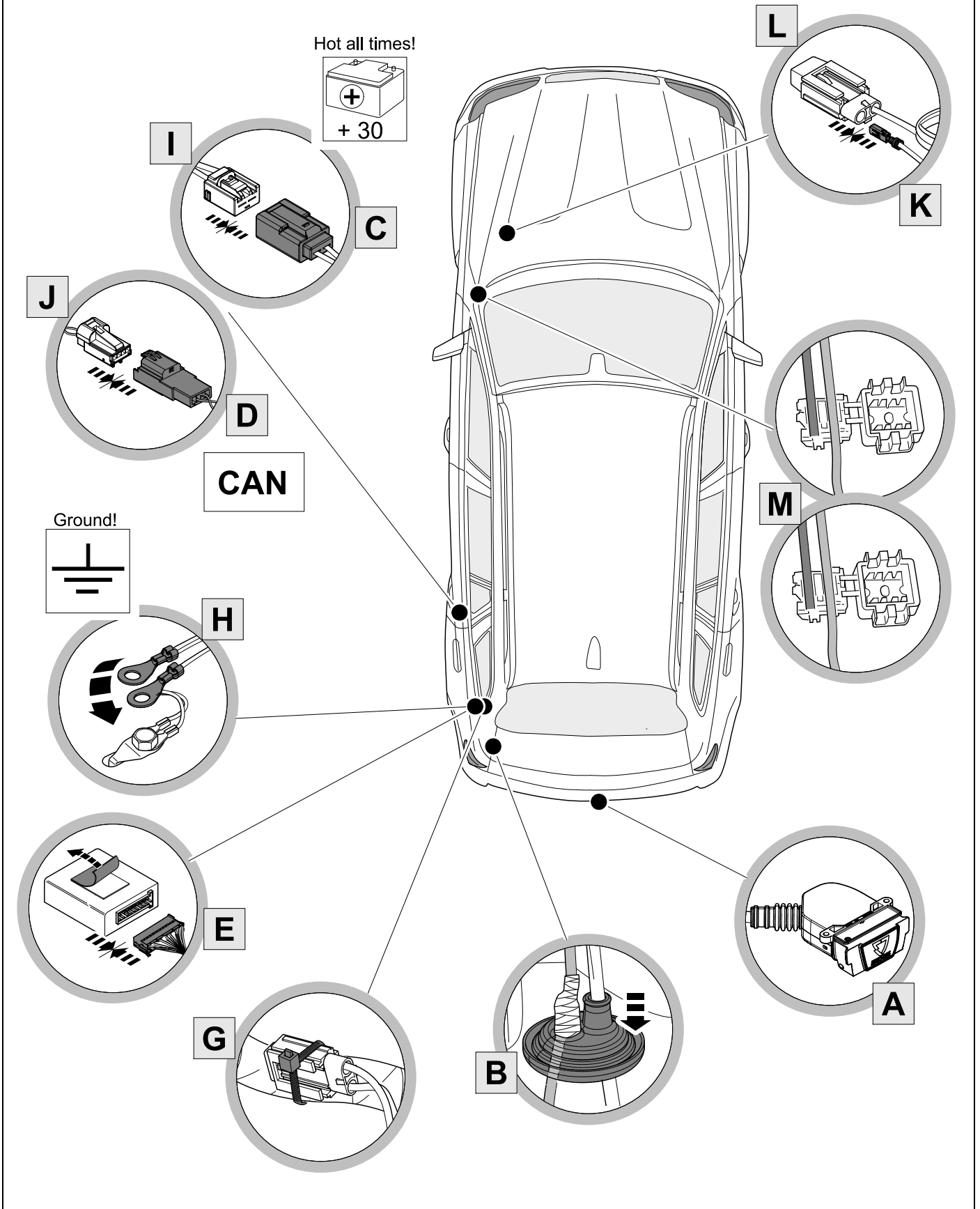
# OVERVIEW

## Vehicle with preparation except power supply

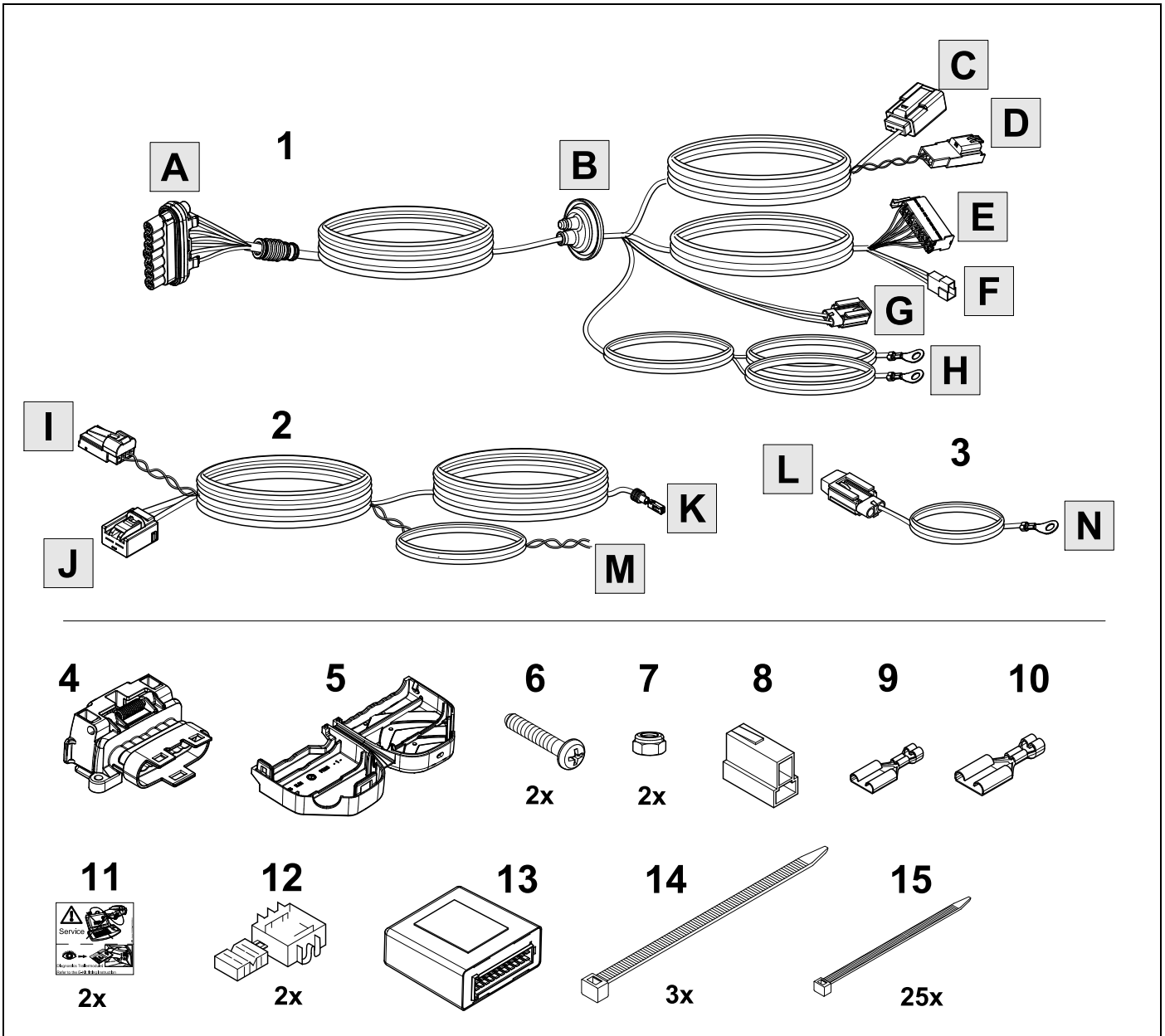


# OVERVIEW

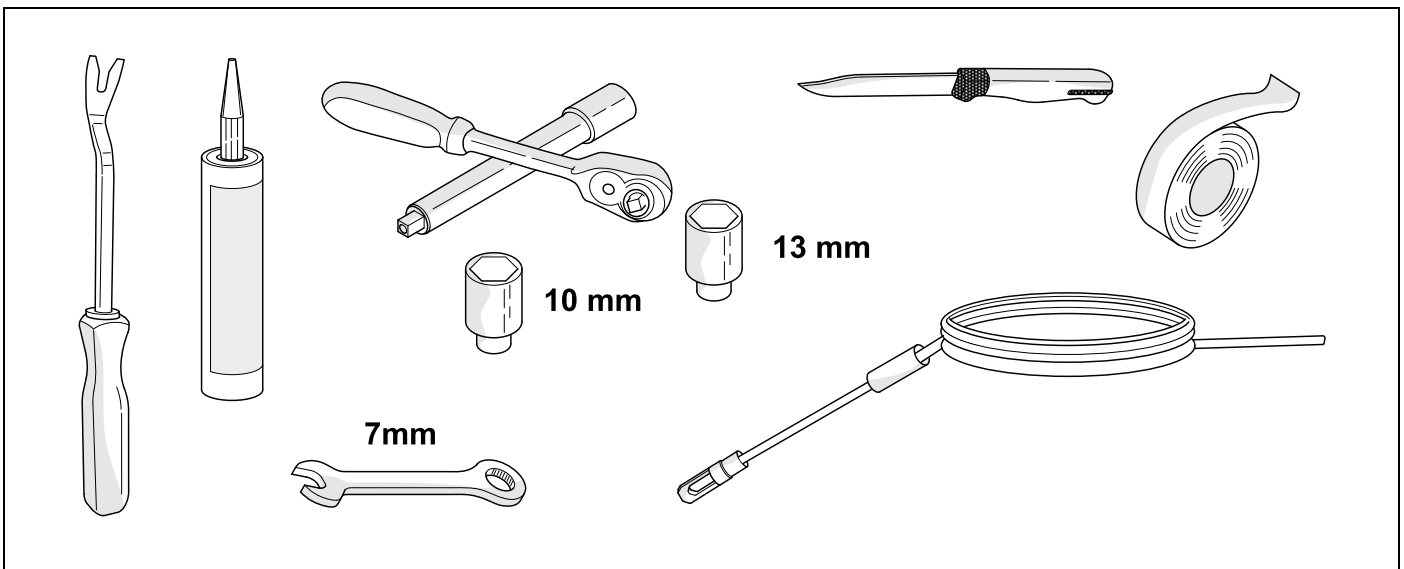
## Vehicle without preparation



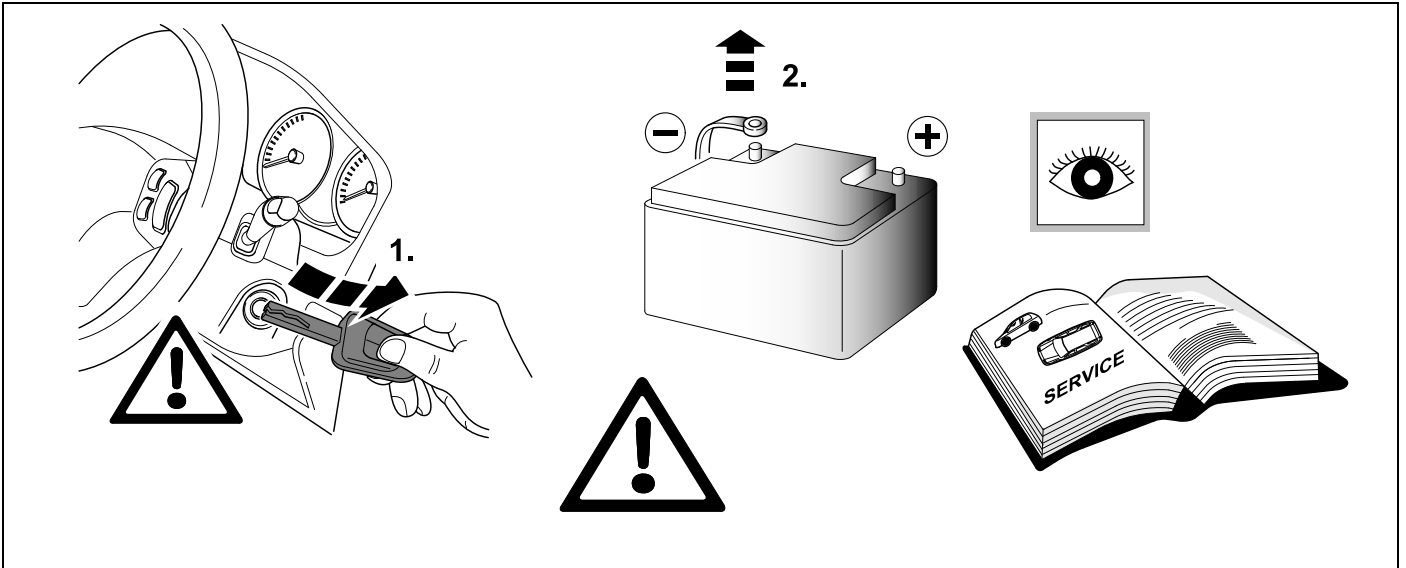
# KIT



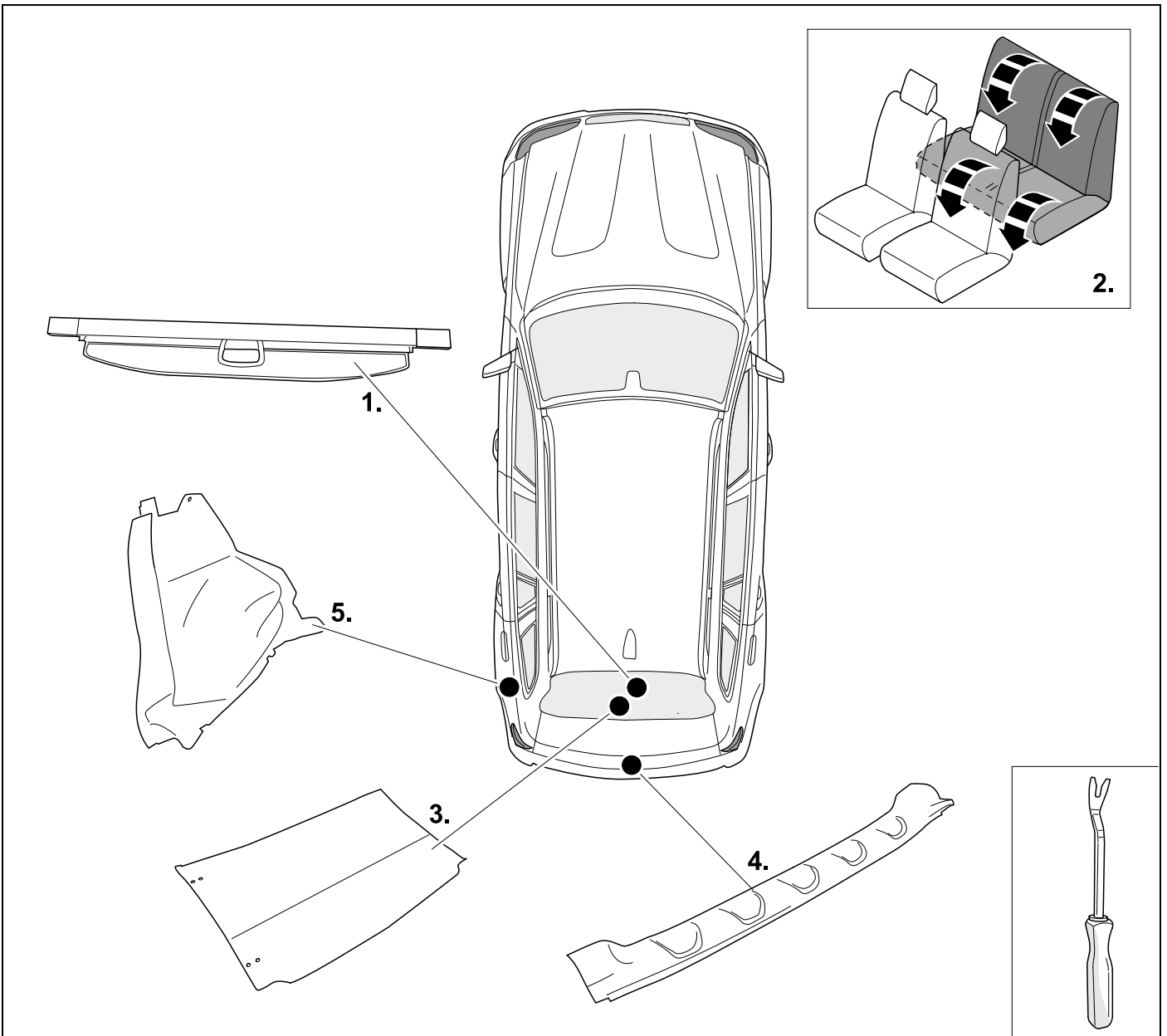
# TOOLS



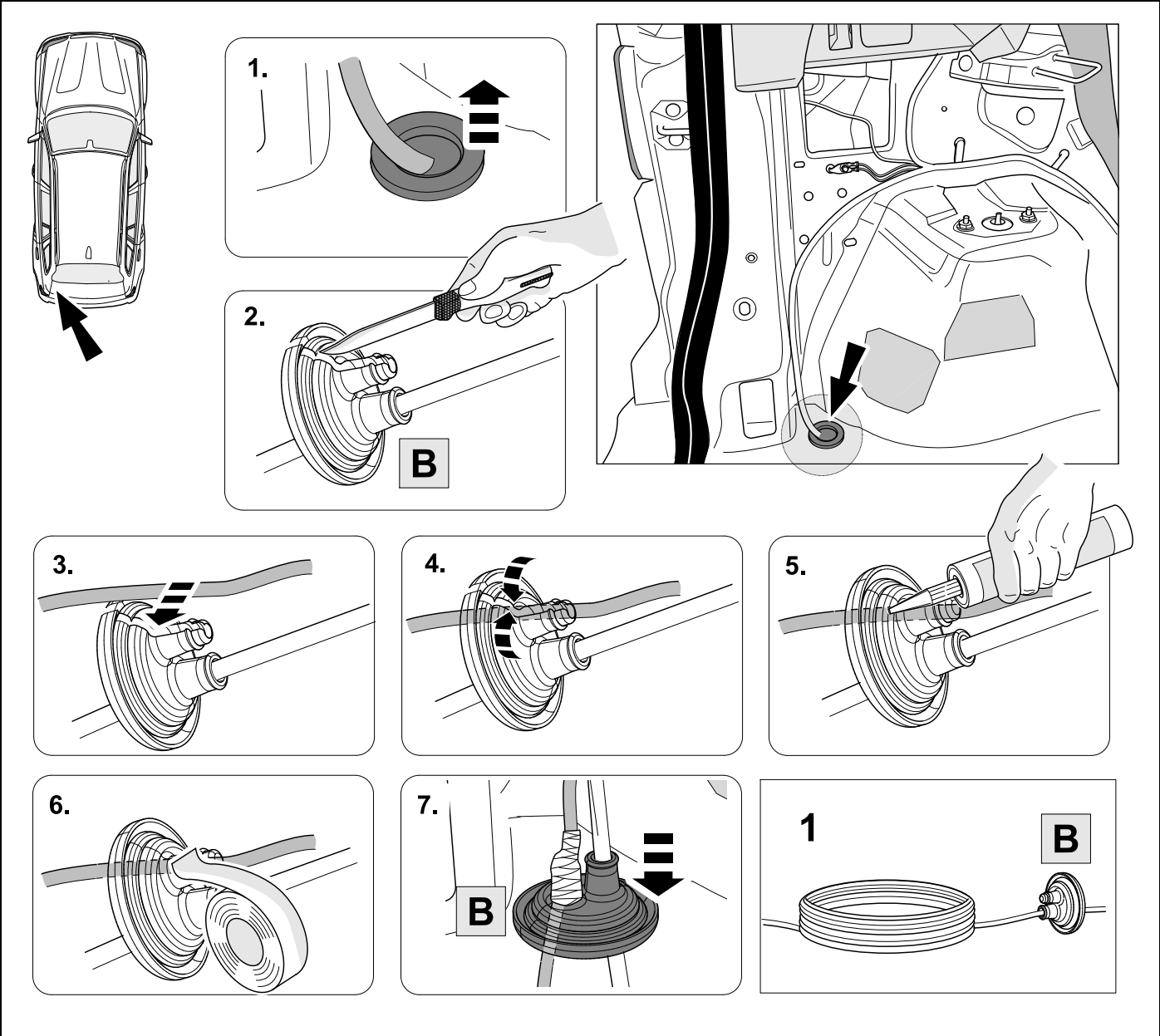
1



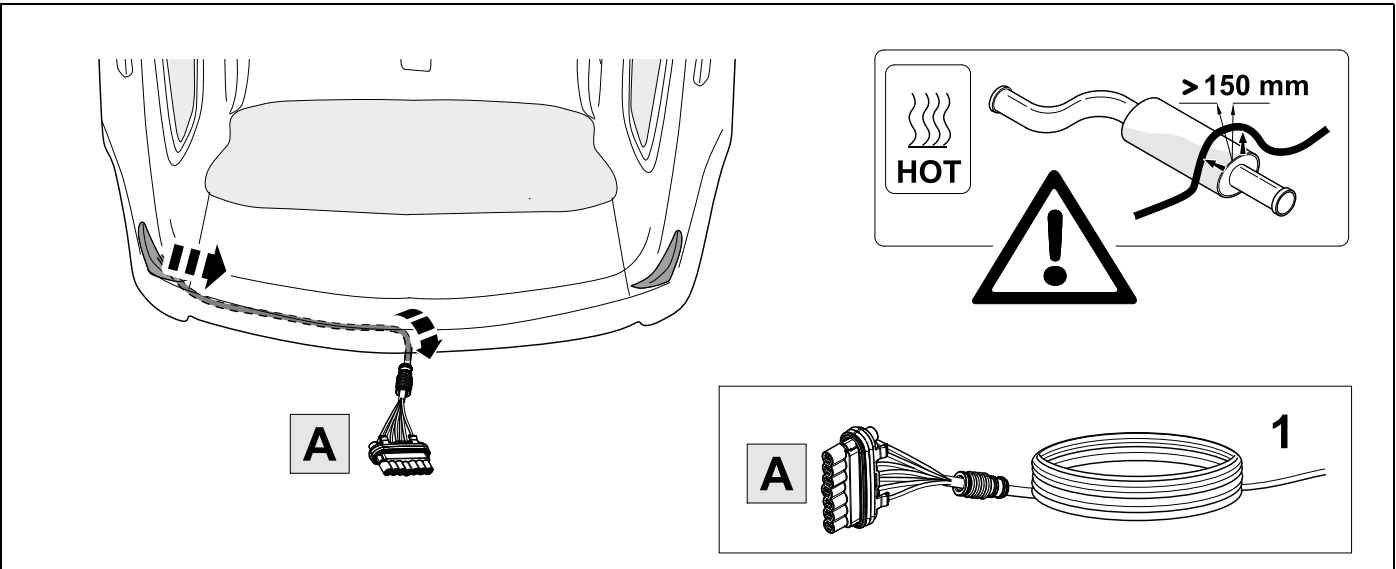
## 2 REMOVE



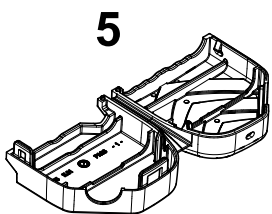
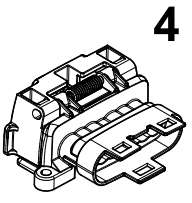
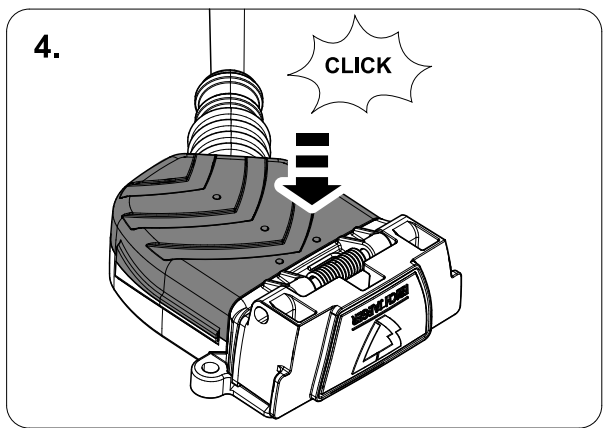
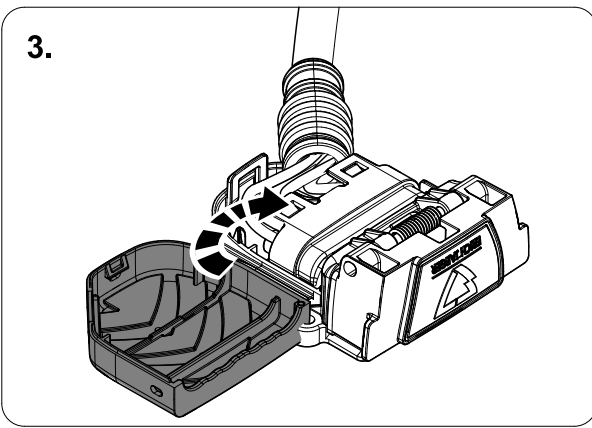
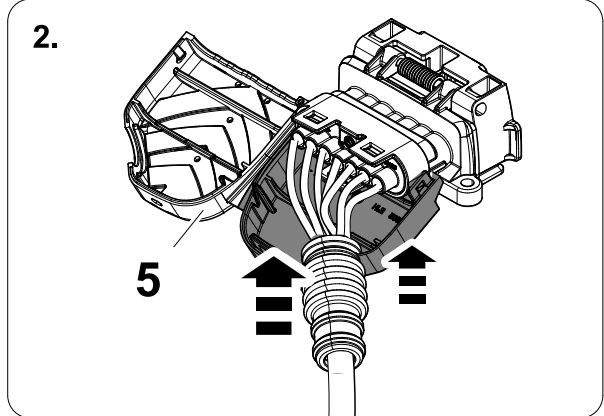
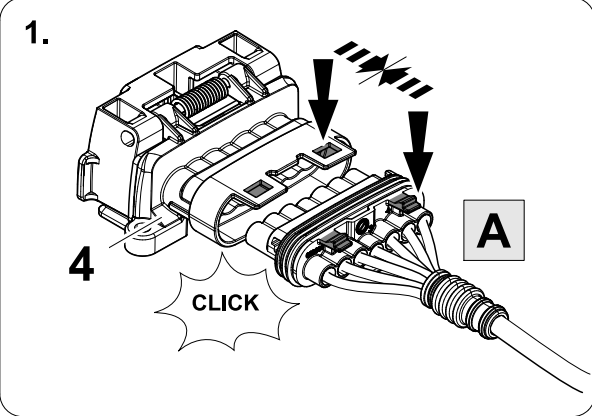
3



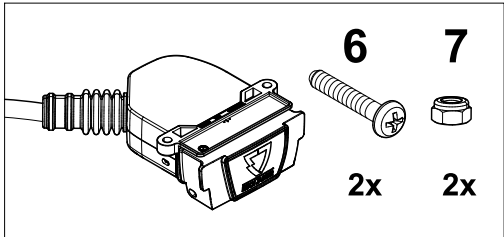
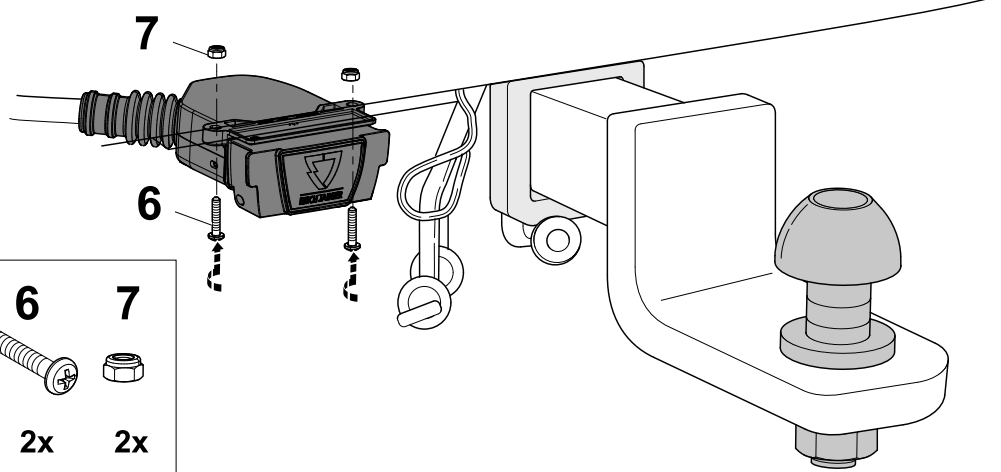
4



5



6





7



8

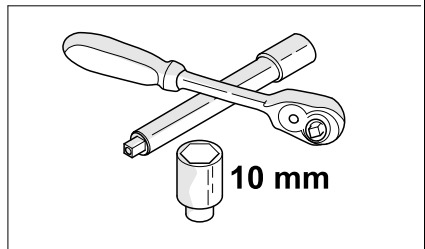
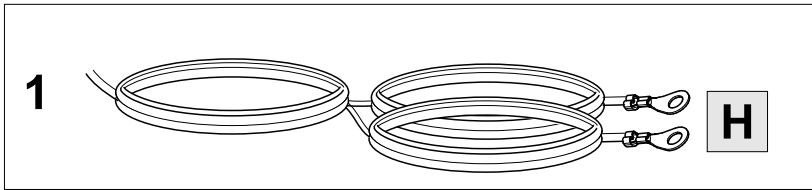
1	ye	
2	bk	
3	wh	
4	gn	
5	bu	
6	rd	
7	bn	

8	bk	wh	gy	gn	rd	bu	ye	bn	pu	or	no
---	----	----	----	----	----	----	----	----	----	----	----

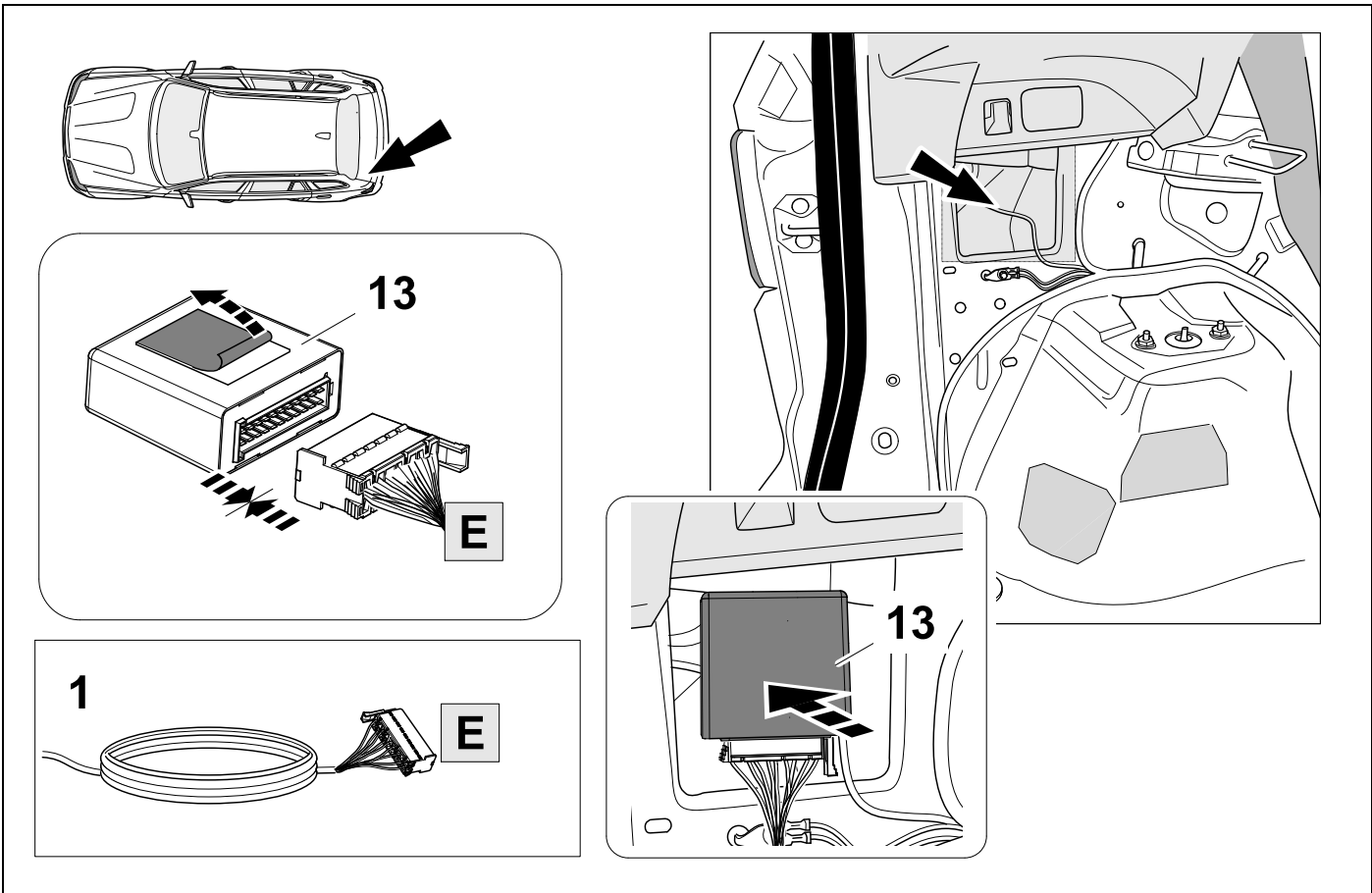
	black	white	grey	green	red	blue	yellow	brown	purple	orange	not occupied
--	-------	-------	------	-------	-----	------	--------	-------	--------	--------	--------------

9

The diagram shows a top-down view of a car with an arrow pointing to the rear. Below it, a wiring harness is shown with a terminal labeled 'H' and a ground symbol labeled 'Ground!'. To the right, a detailed view of the car's interior shows the wiring being connected to a terminal in the trunk area.

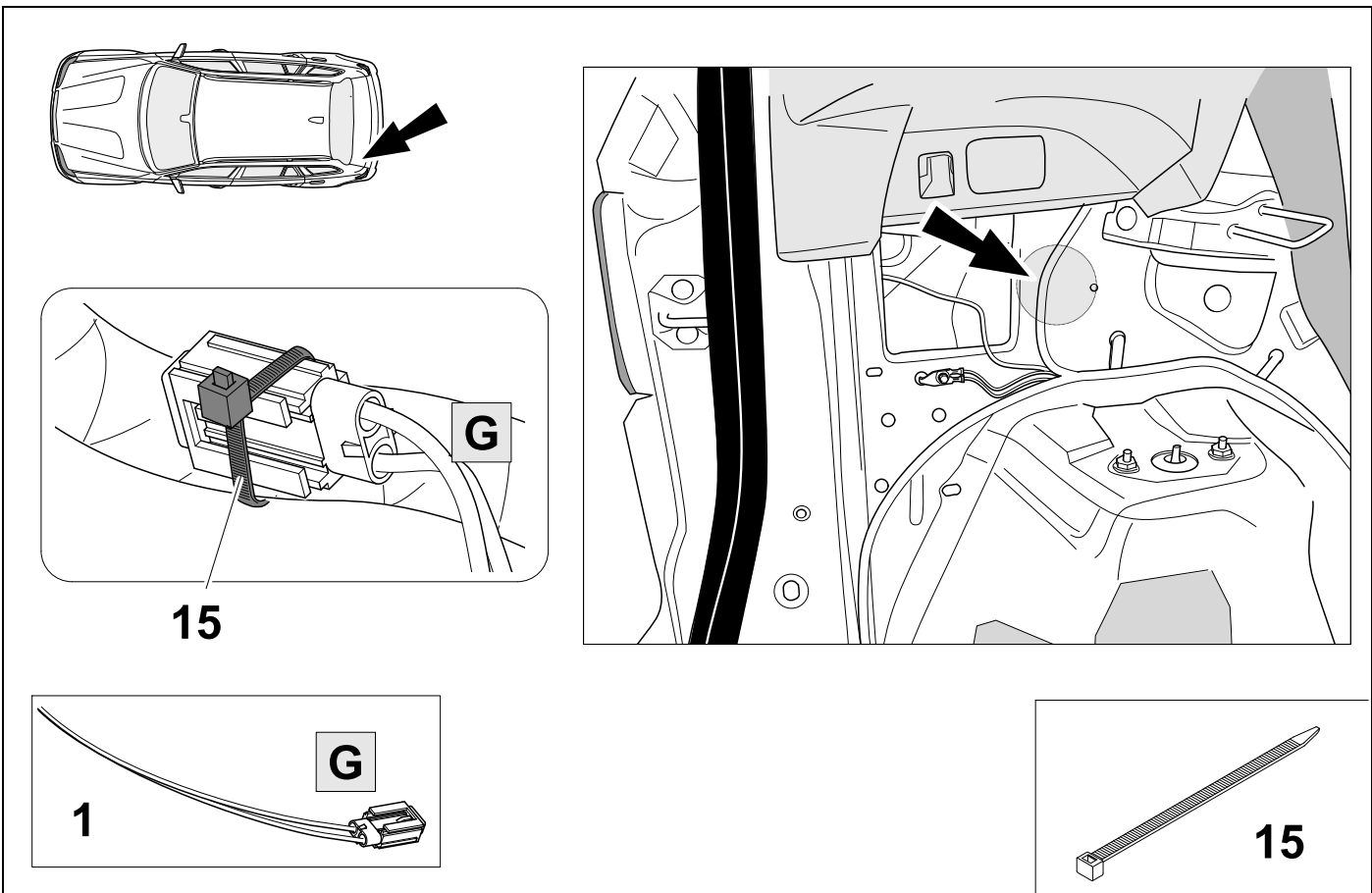


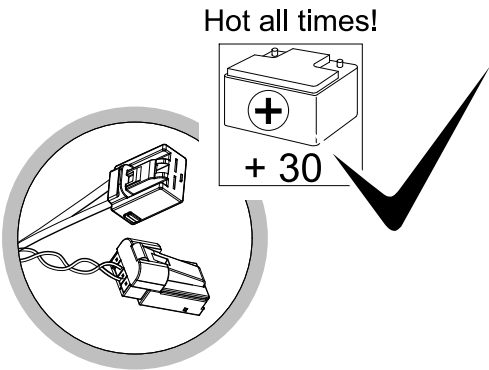
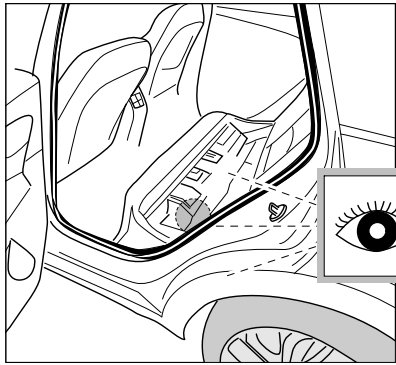
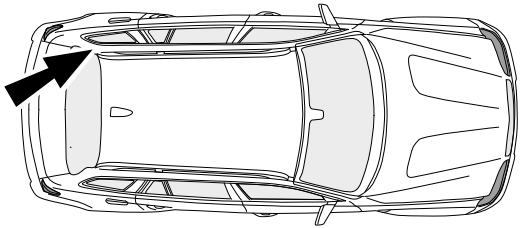
10



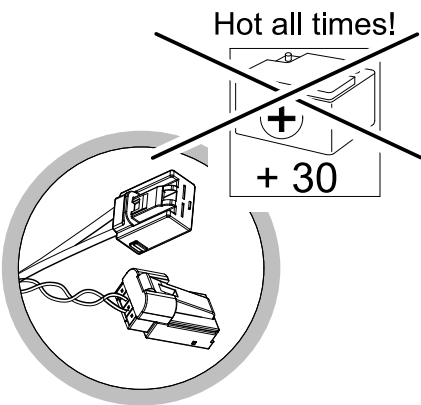
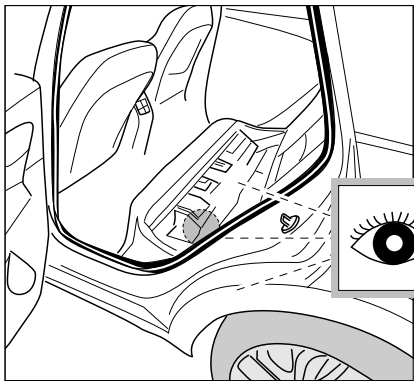
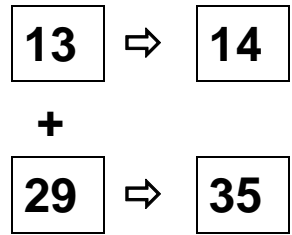
11

👁️ ⇒ 32

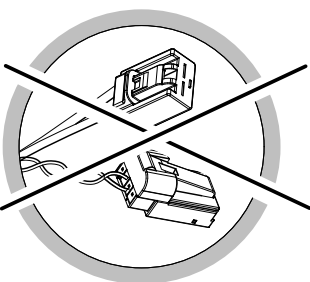
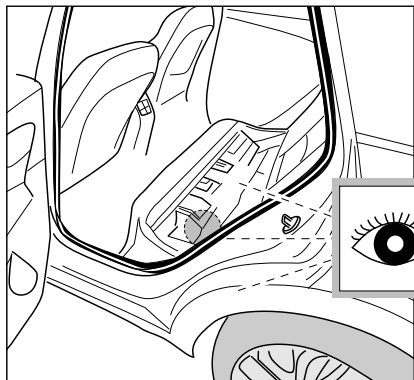
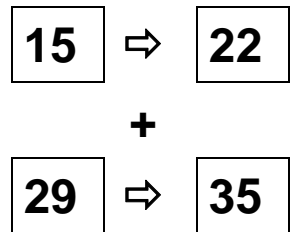




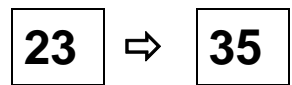
### OPTION 1



### OPTION 2

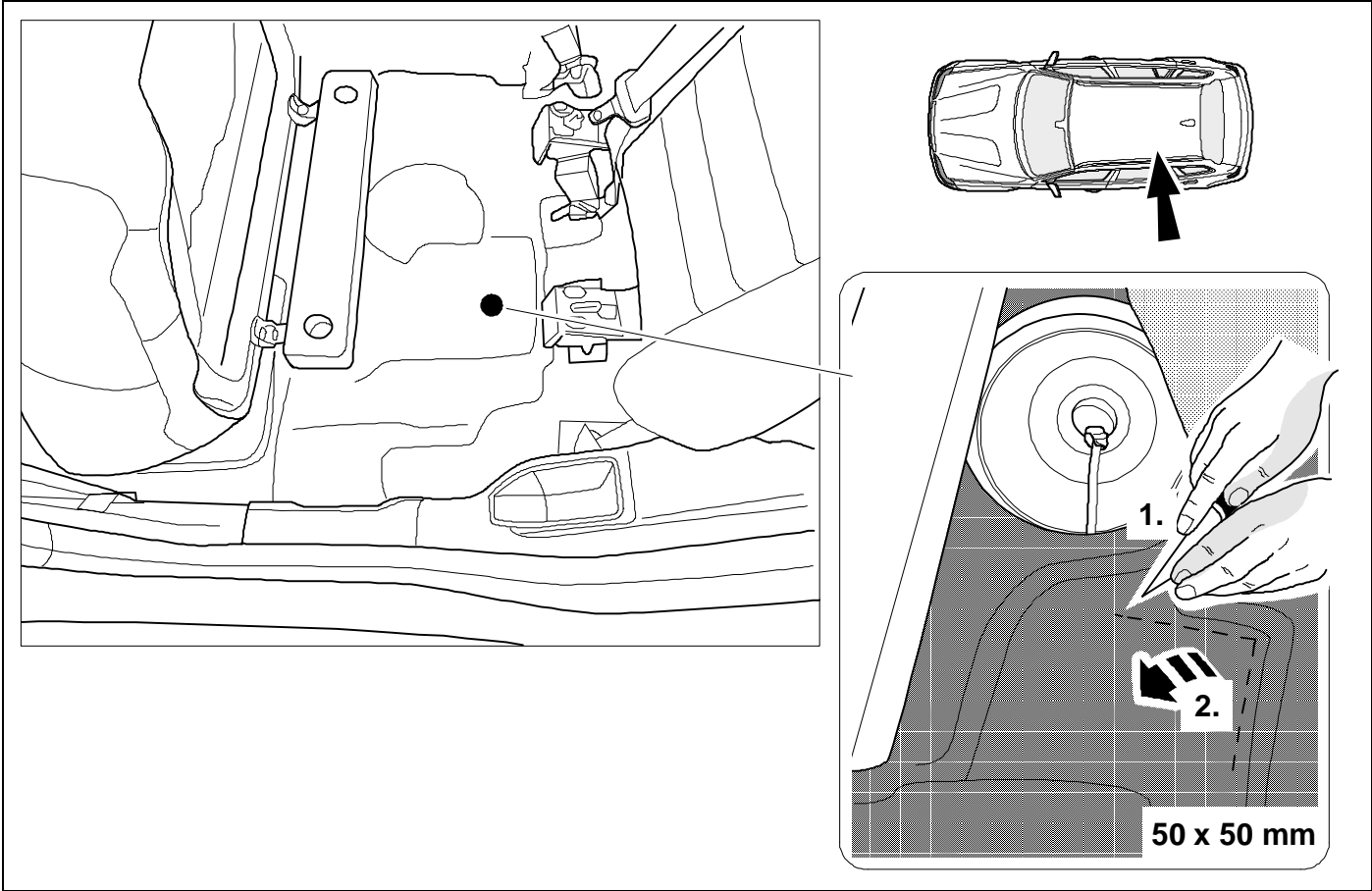


### OPTION 3



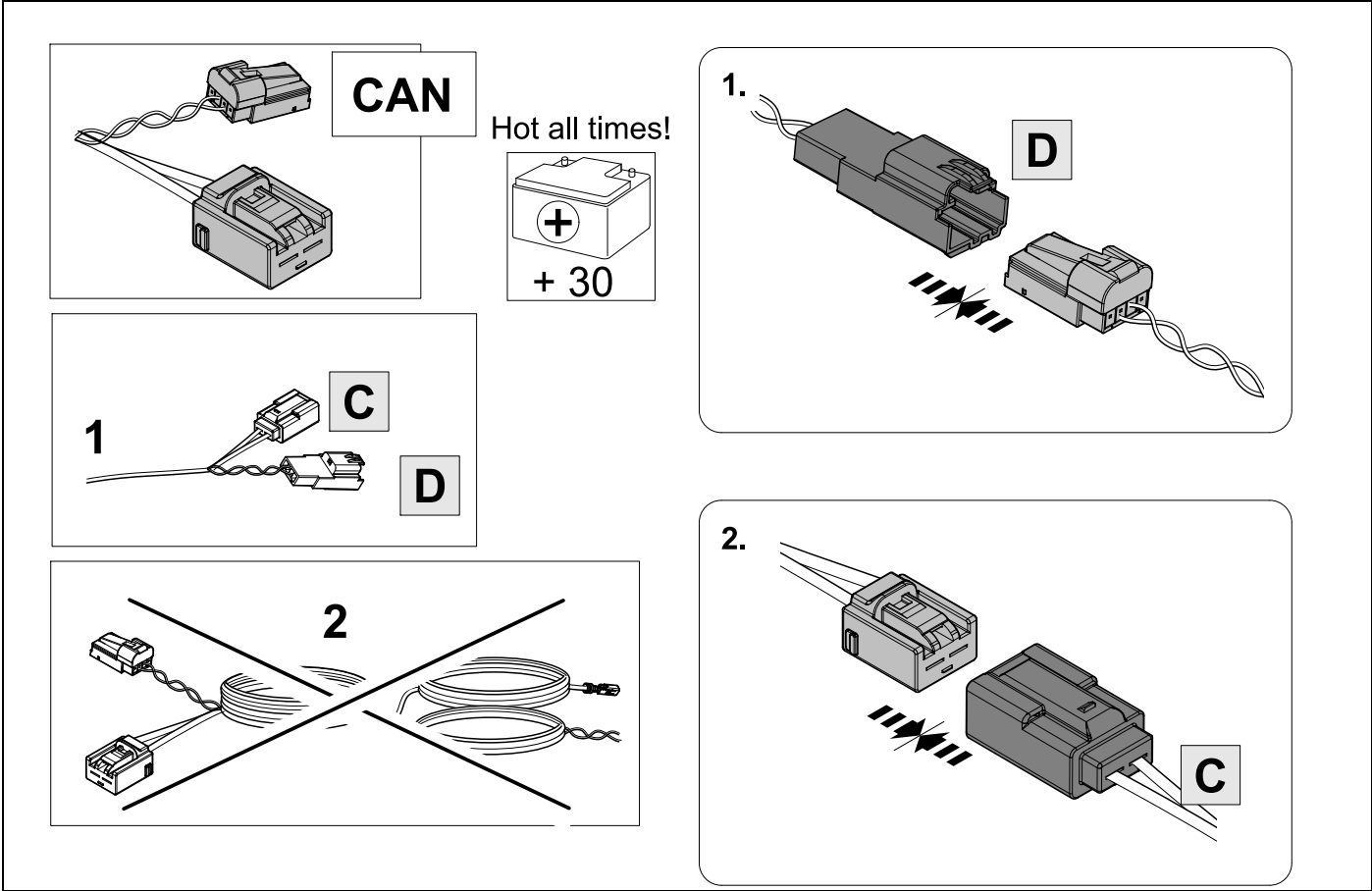
13

OPTION 1



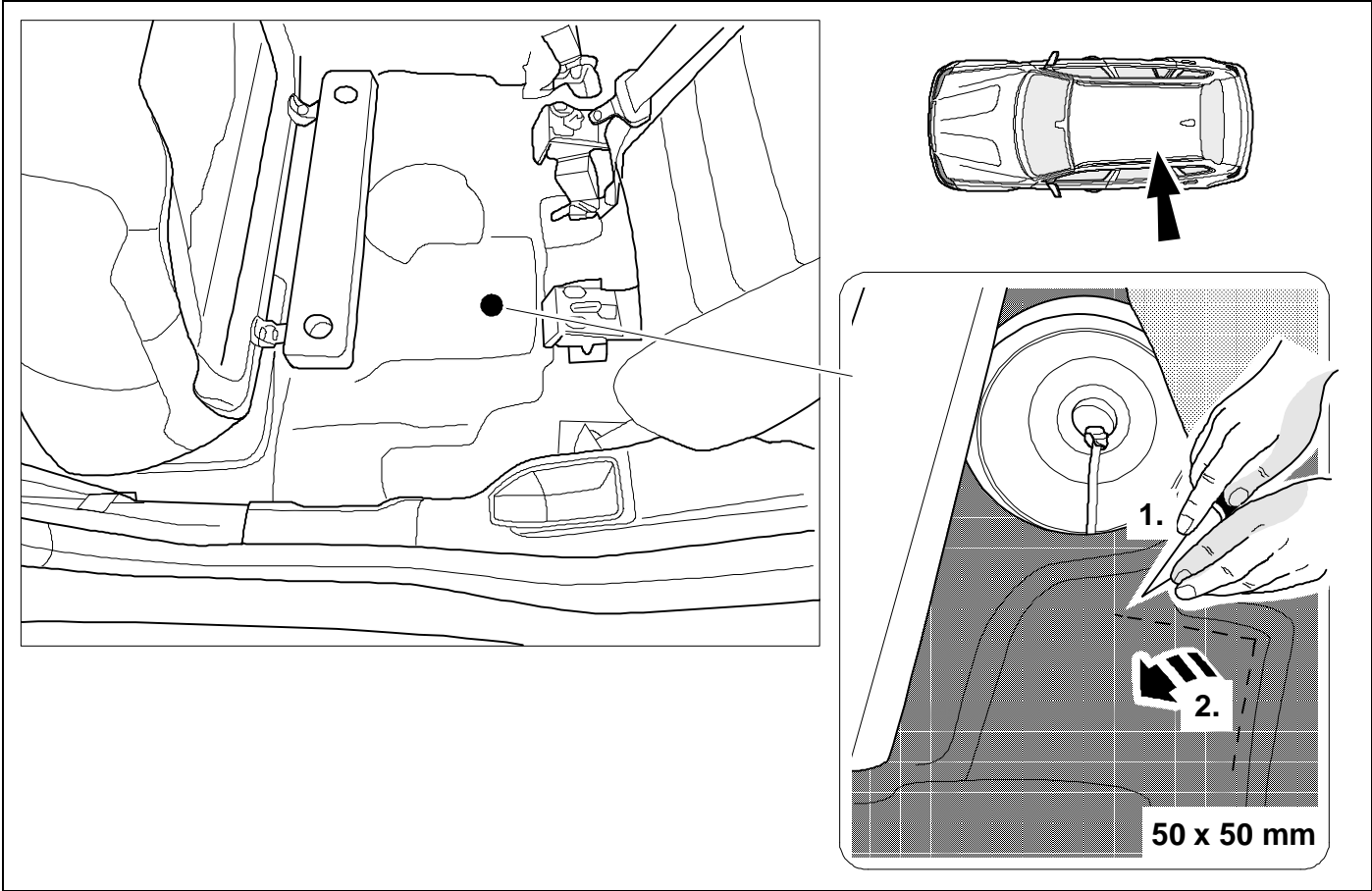
14

OPTION 1



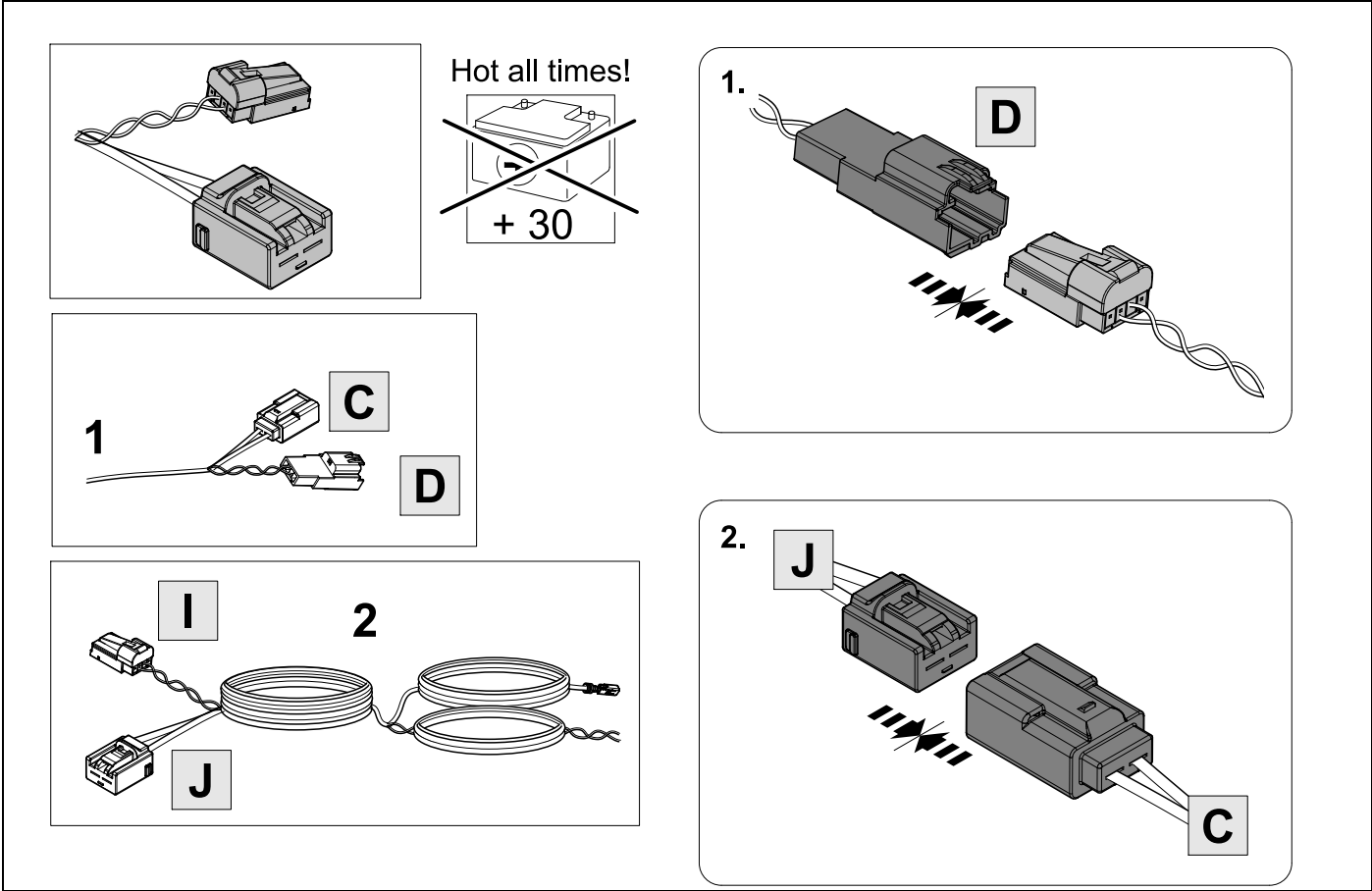
15

OPTION 2



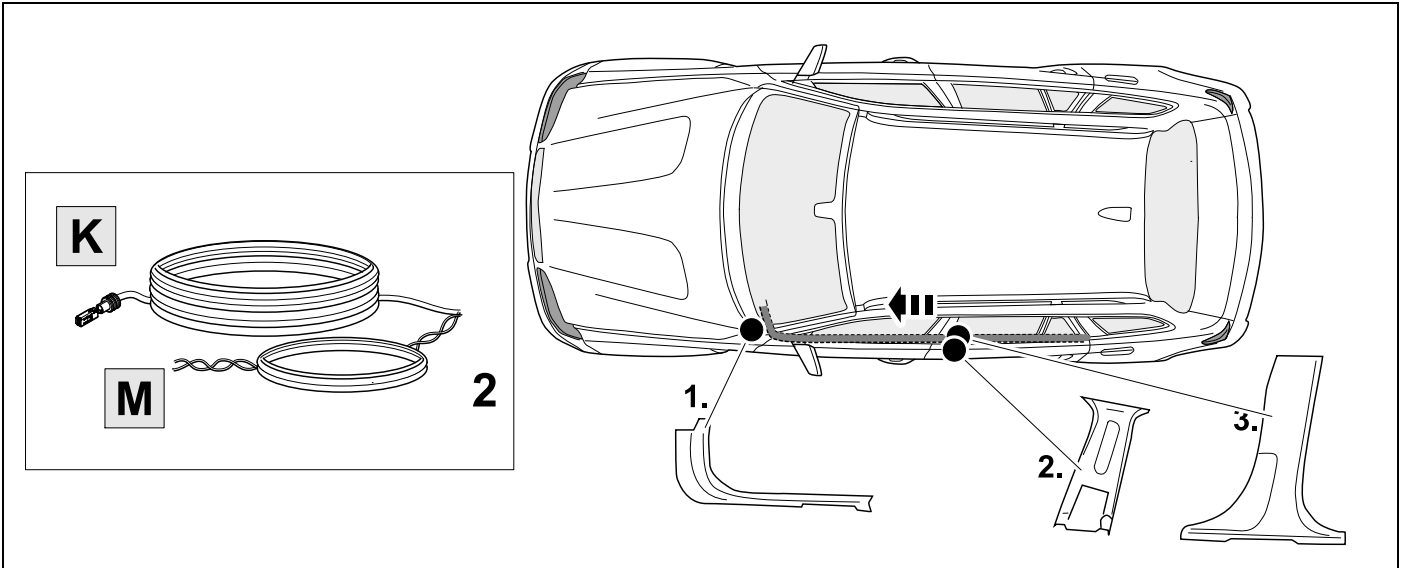
16

OPTION 2



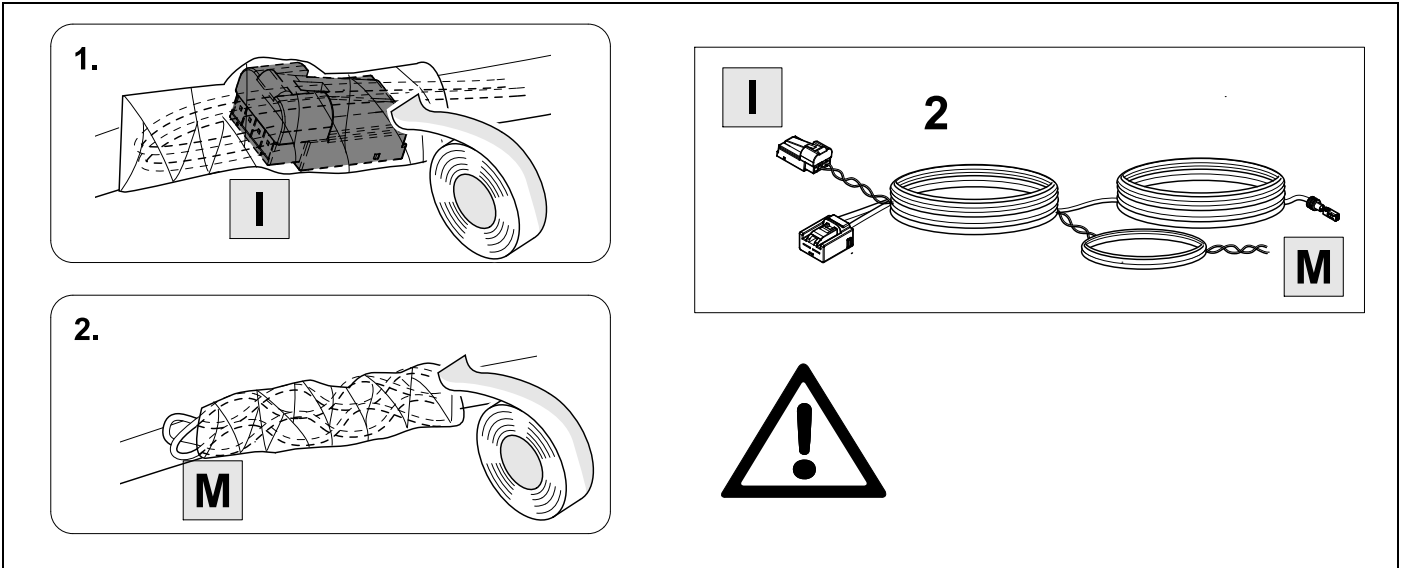
17

OPTION2



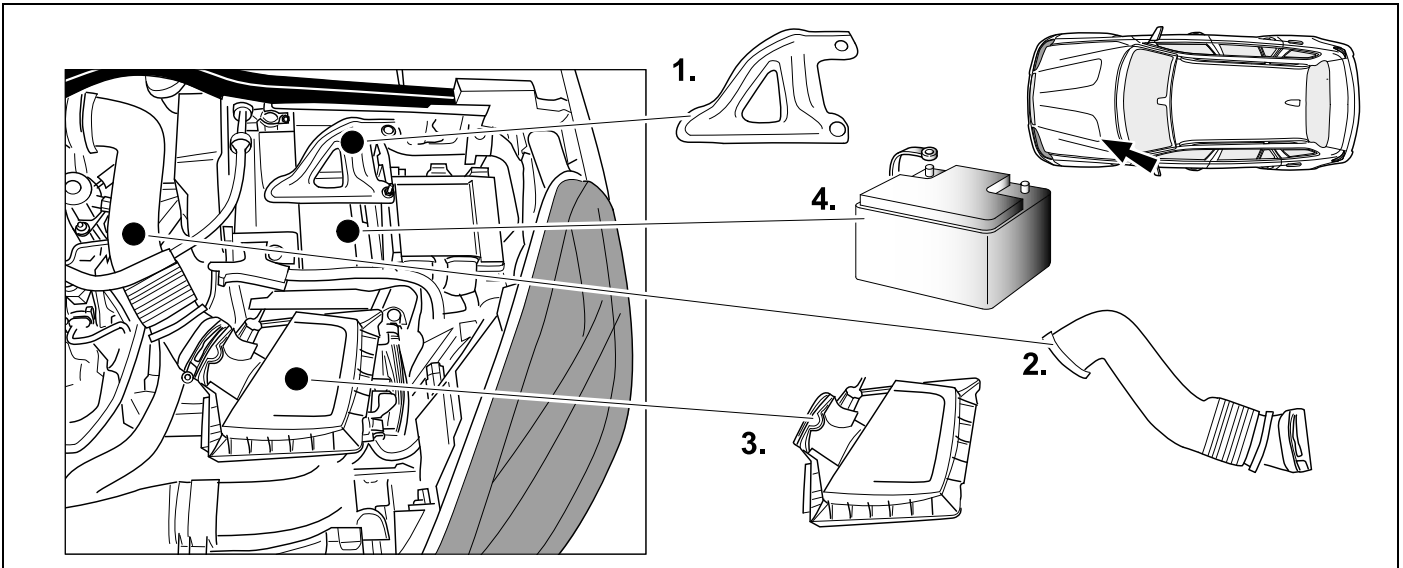
18

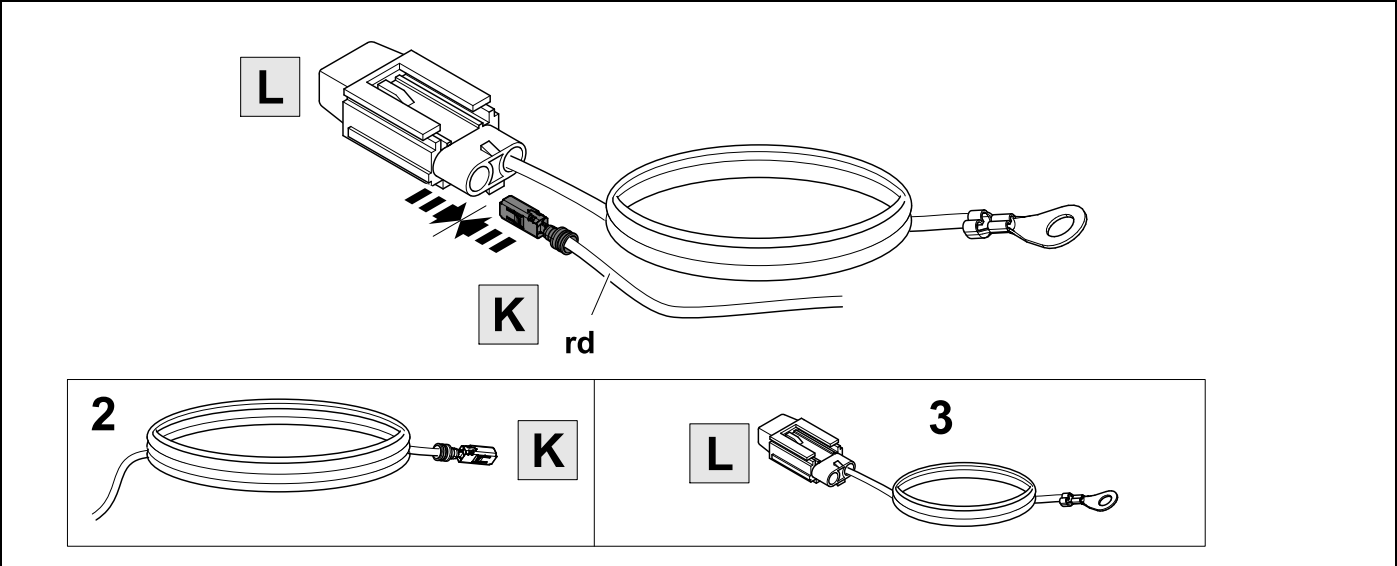
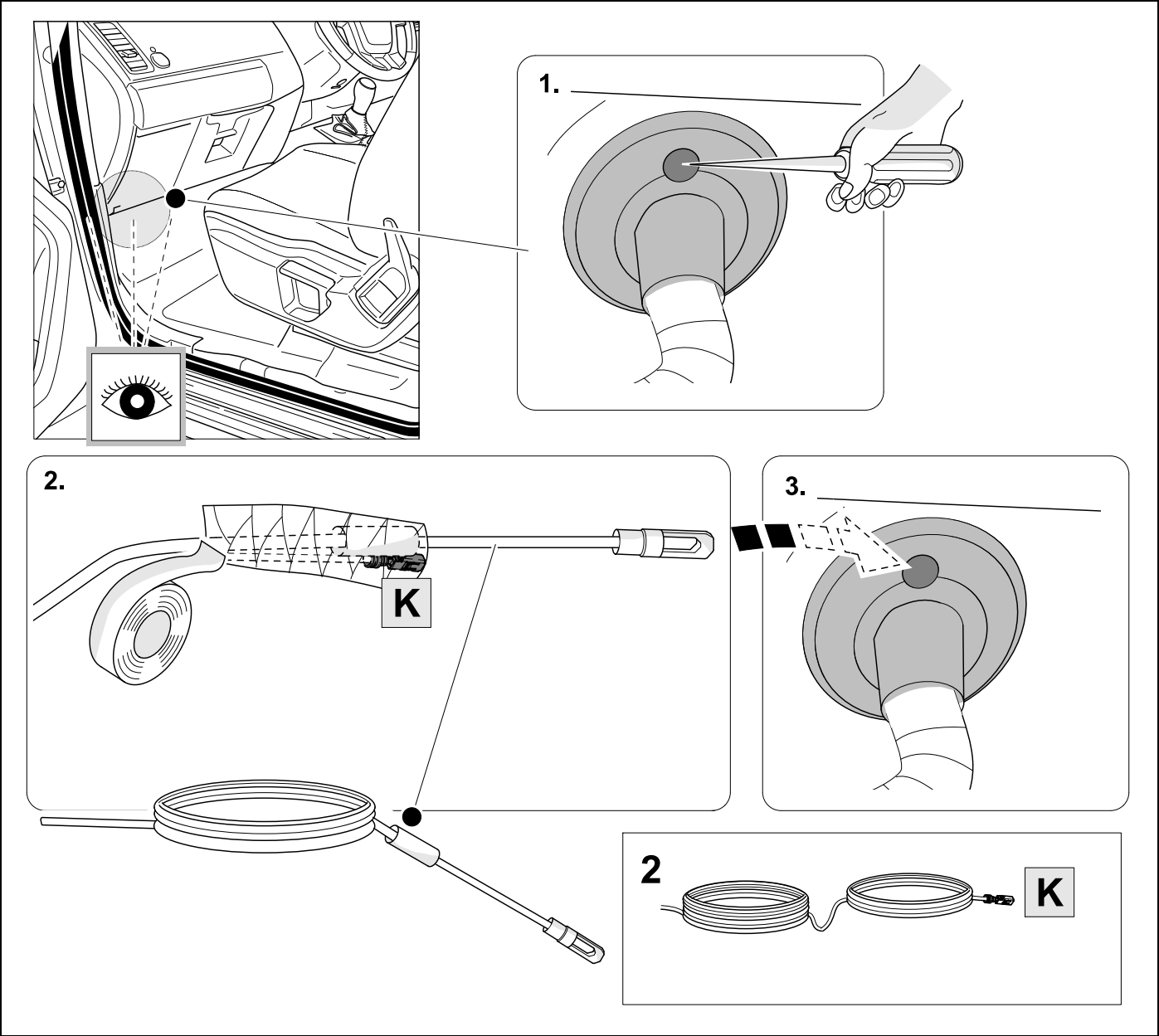
OPTION 2



19

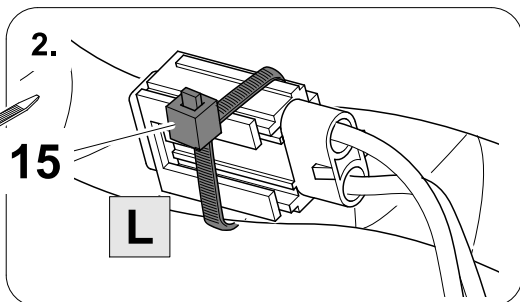
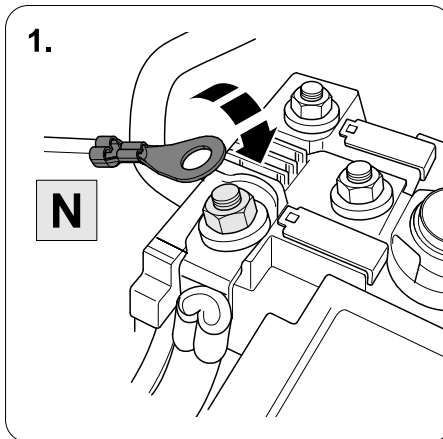
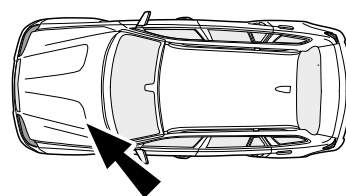
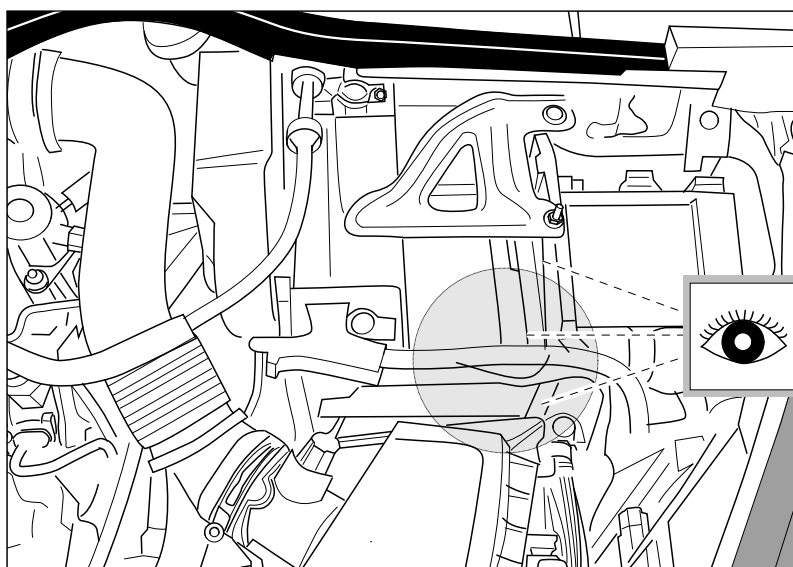
OPTION 2



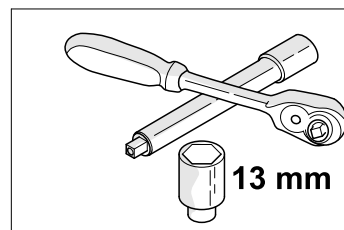
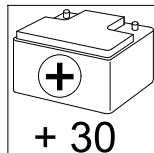




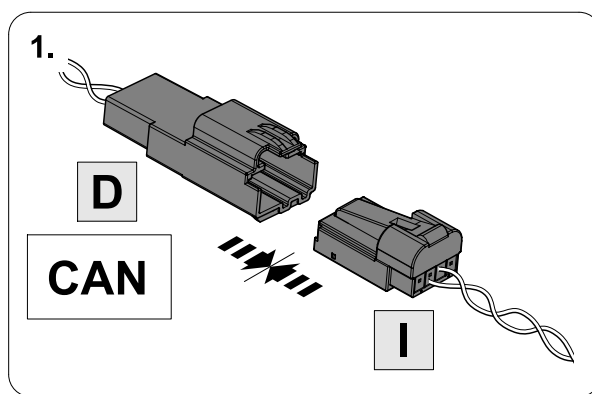
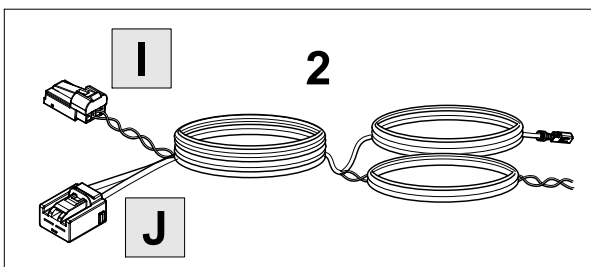
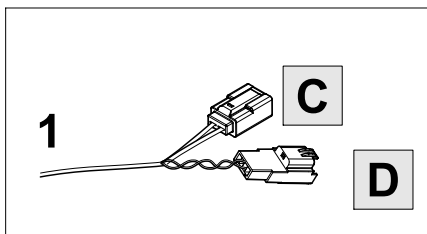
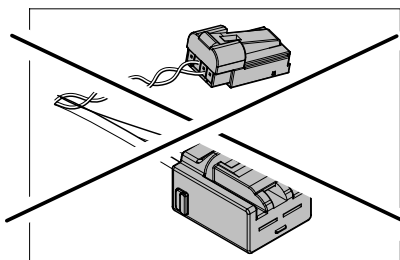
### OPTION 2



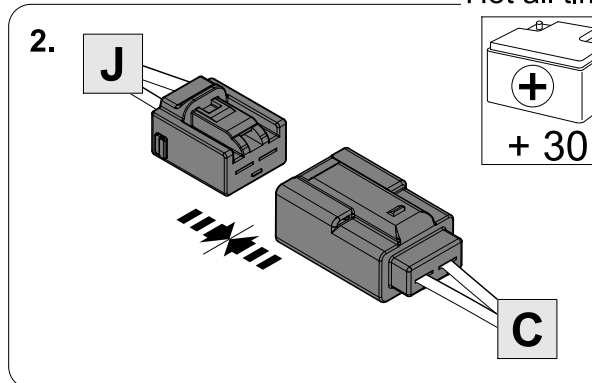
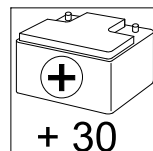
Hot all times!



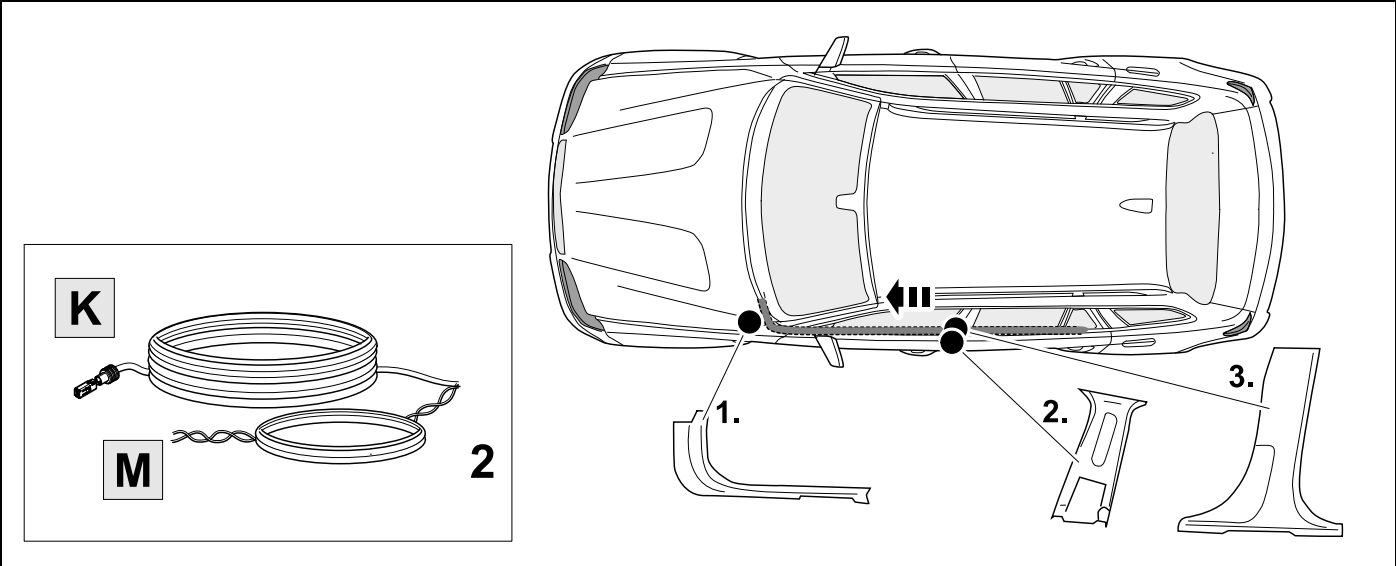
### OPTION 3

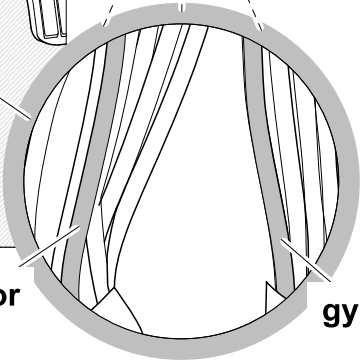
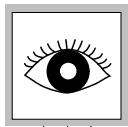
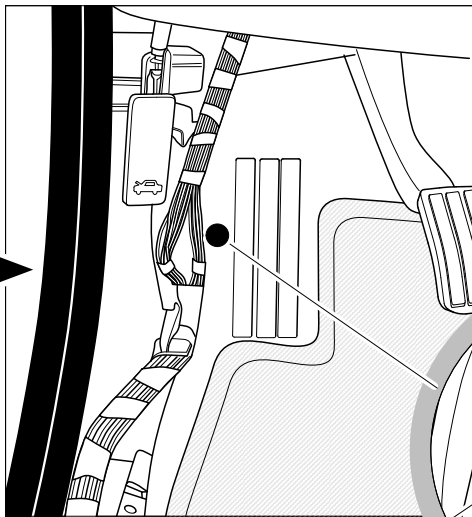
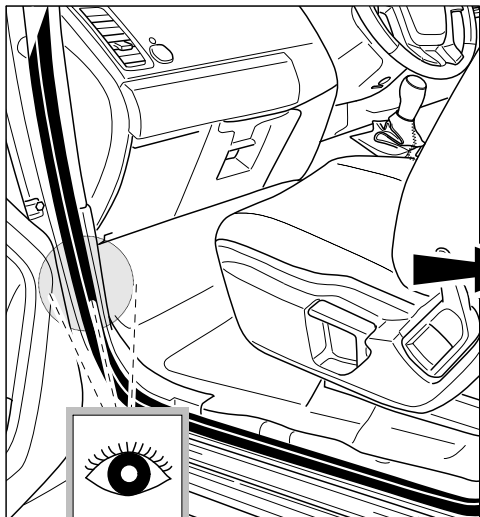


Hot all times!



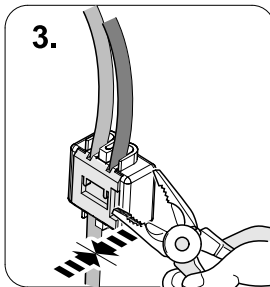
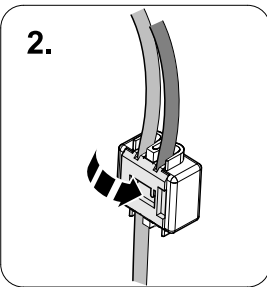
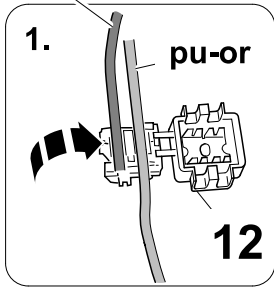




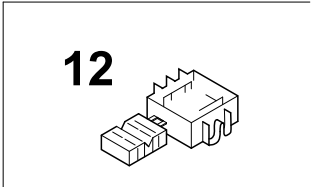
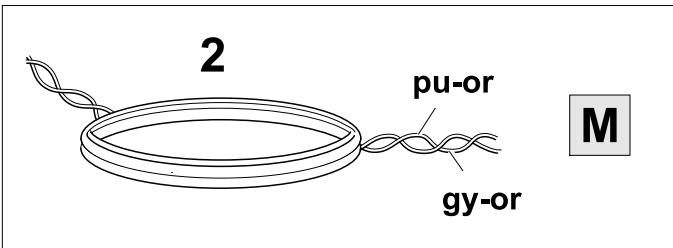
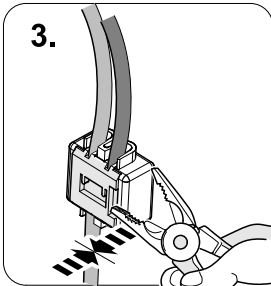
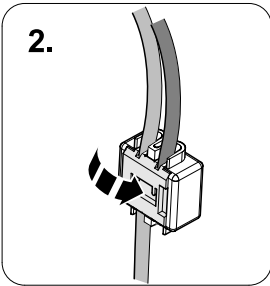
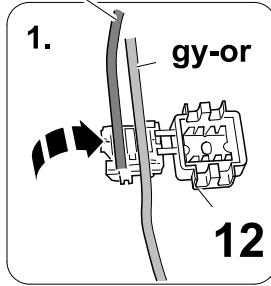


CAN

pu-or M

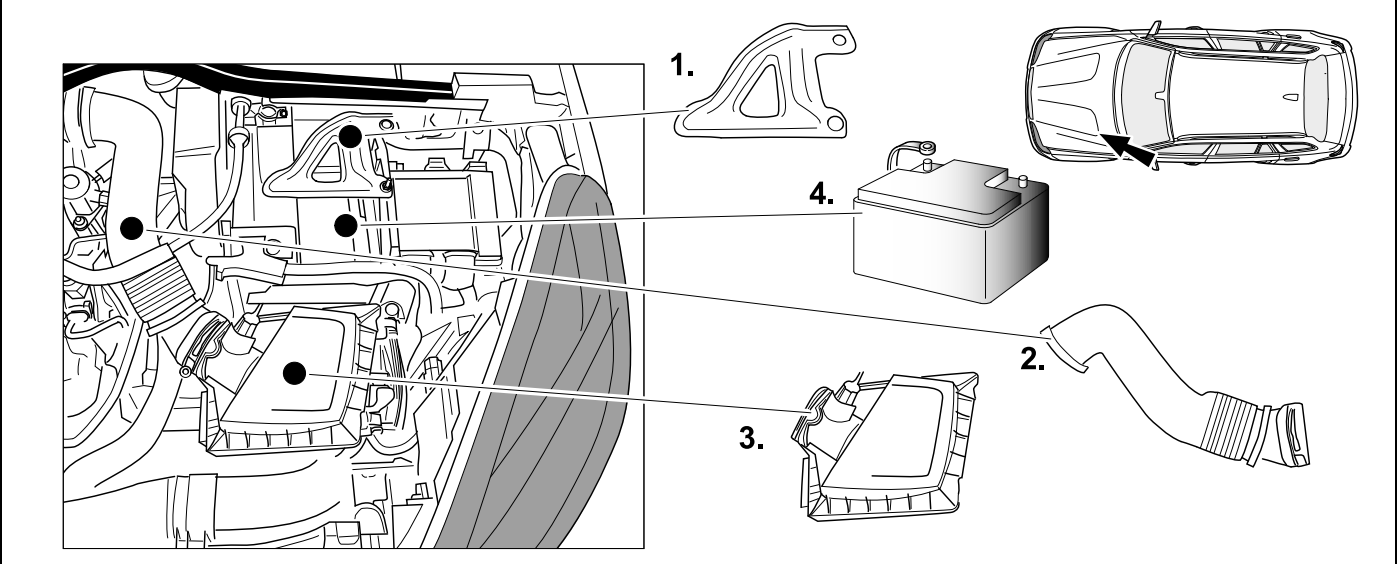


gy-or M



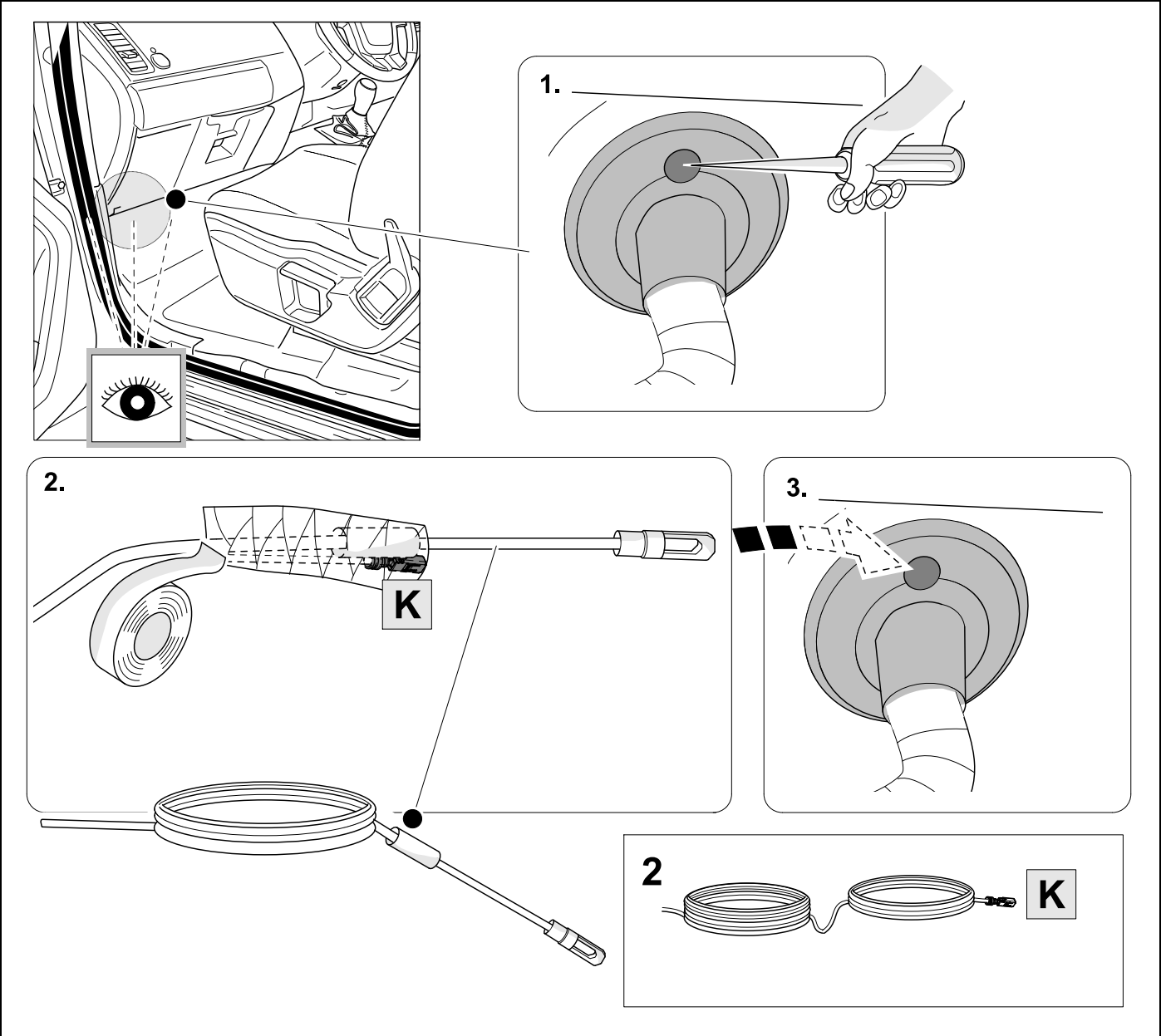
26

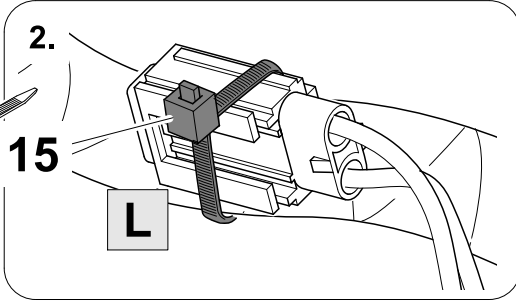
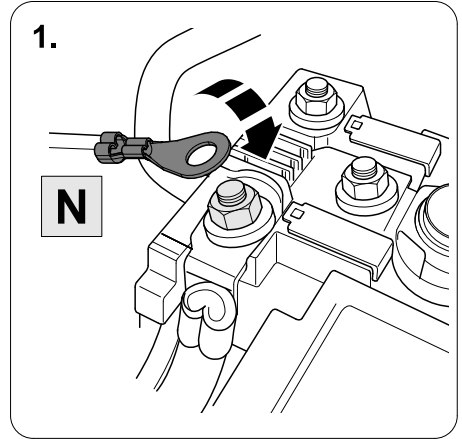
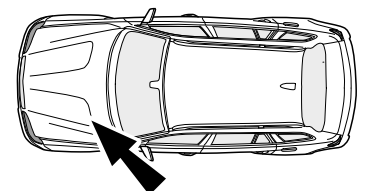
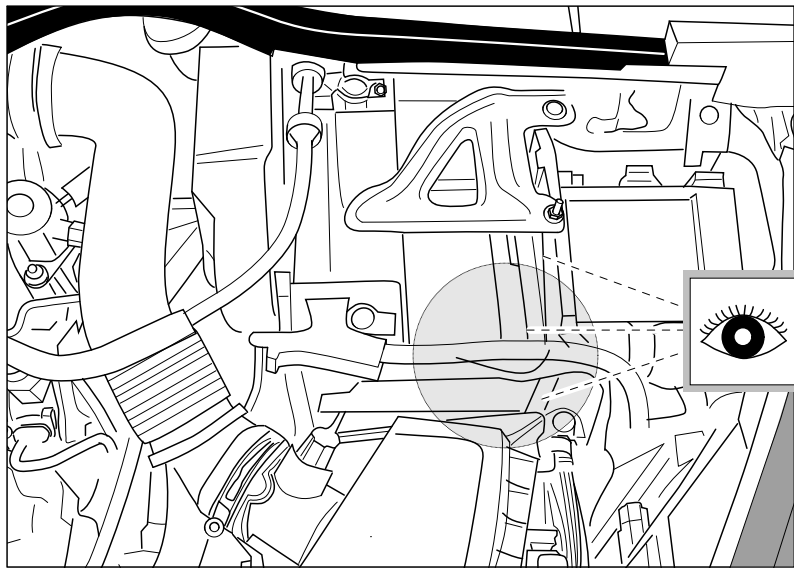
OPTION 3



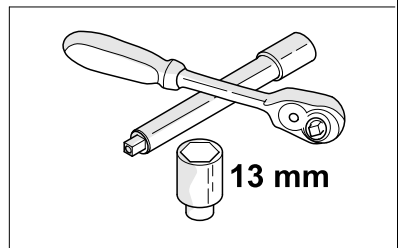
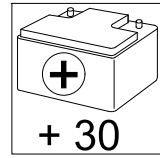
27

OPTION 3



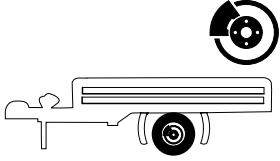


Hot all times!

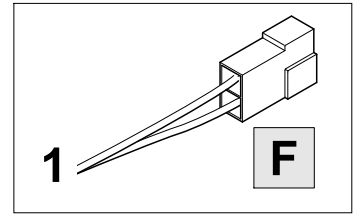




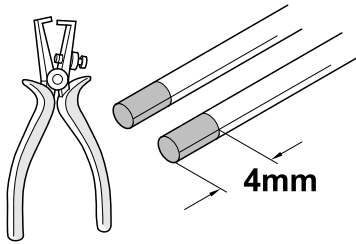
**BRAKE  
CONTROLLER  
PREPARED**



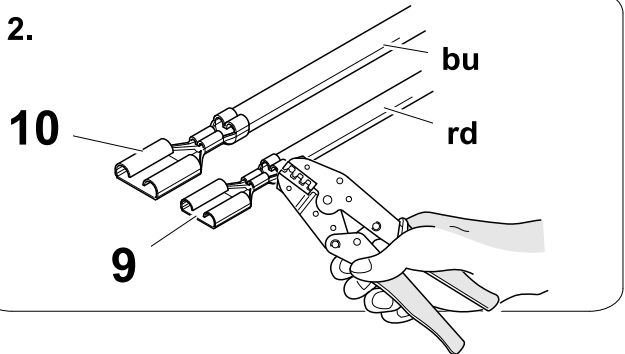
**Trailer Brake Preparation**



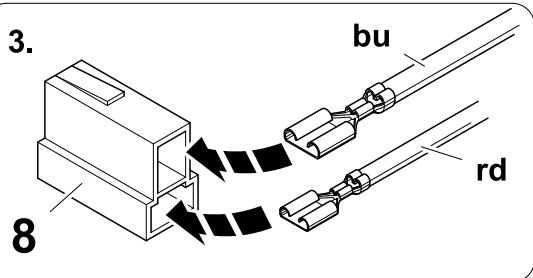
1.



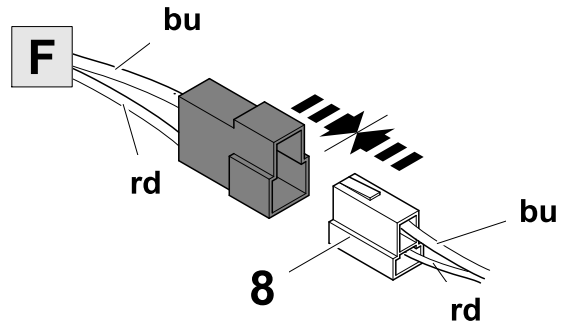
2.



3.



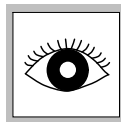
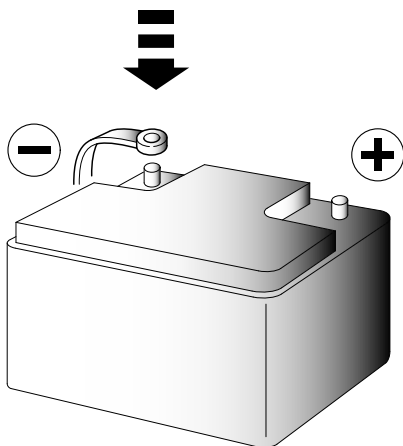
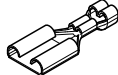
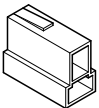
4.



8

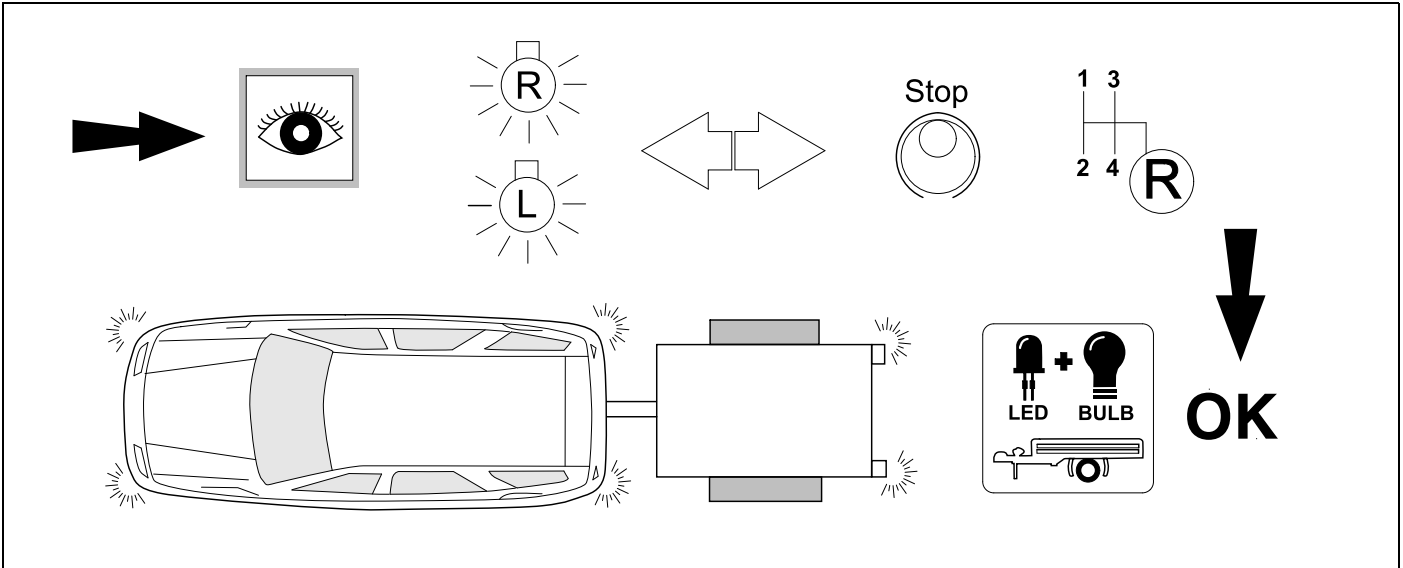
9

10



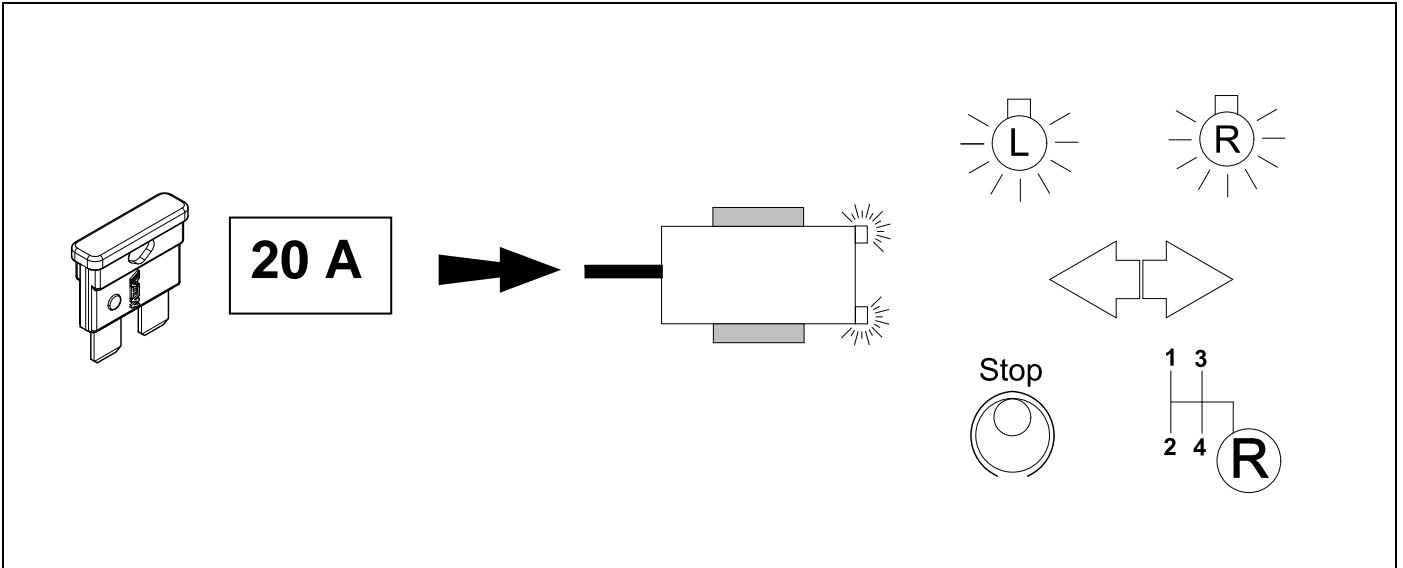
**31**

# CHECK ALL LIGHTING FUNCTIONS



**32**

👁️ ⇒ **11** + **22** + **28**



**33**

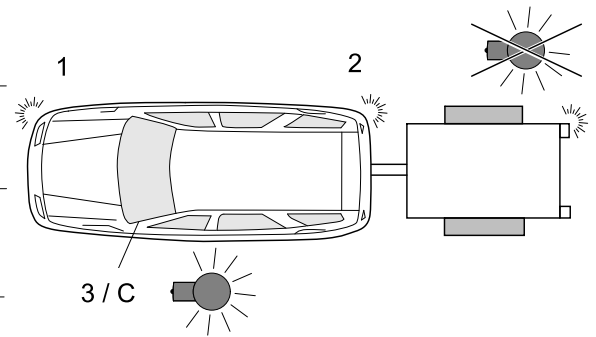
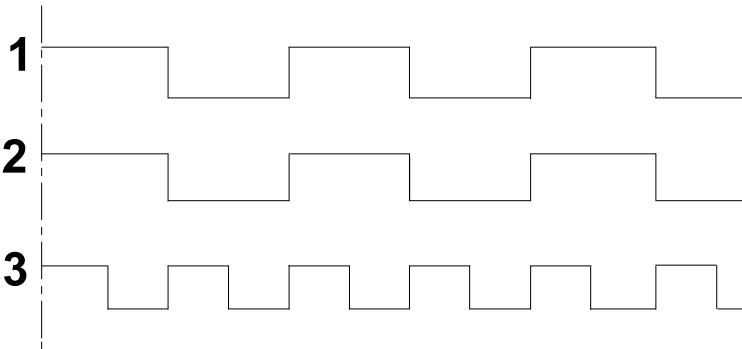
# VEHICLE CODING

- . **Connect with FordEtis**
- . **Dealer registration**
- . **Vehicle: enter VIN**
- . **Vehicle software**
- . **Changes and Upgrades**
- . **Configuration of towbar**

**34**

**CHECK BULB OUT DETECTION**

BULB OUT CONDITION INDICATED WITH INCREASED INDICATOR FREQUENCY



**35**

Service 2x 11

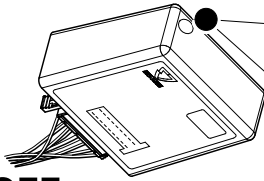
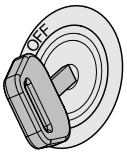
Service

Diagnostics Trailermodule: Refer to the E-Ki filing instruction

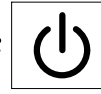
Service

# Status LED for self-diagnosis

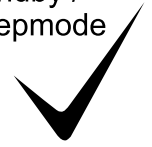
## Operation support



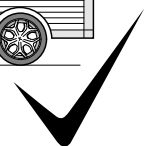
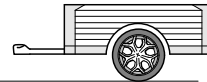
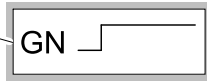
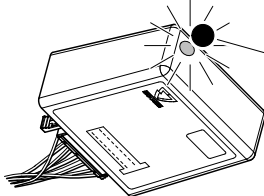
No CAN-Data =



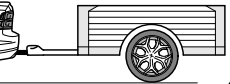
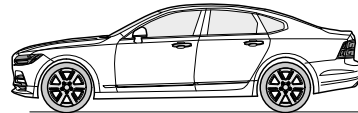
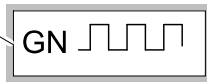
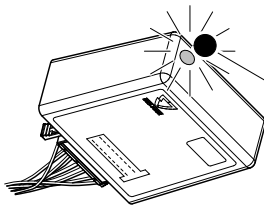
Standby / Sleepmode



Ignition OFF



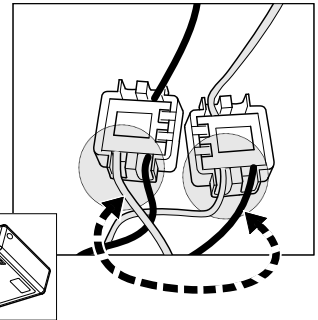
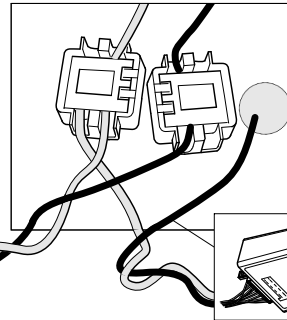
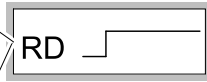
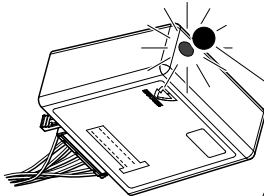
Ignition ON



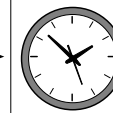
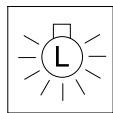
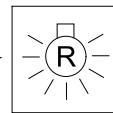
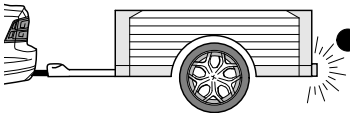
Ignition ON

## Failure support

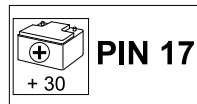
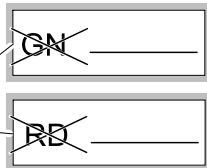
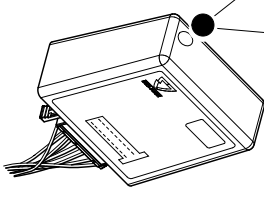
Check CAN-Data Wire



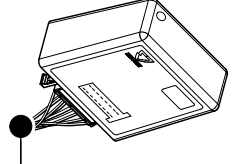
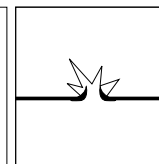
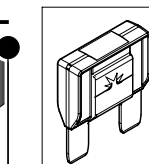
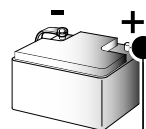
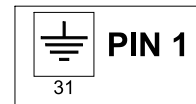
Ignition ON



1x max 5 min.



oder / or



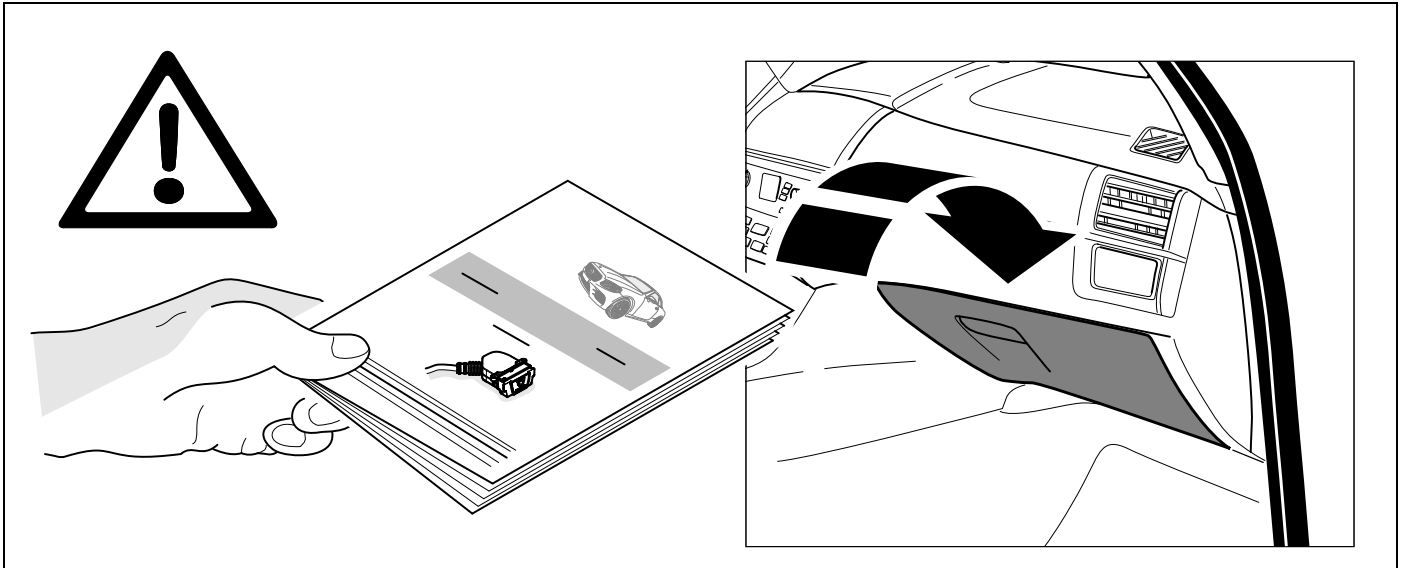
Ignition ON











Subject to change in terms of construction, equipment and colour, and may contain errors.  
The information and illustrations are non-binding.