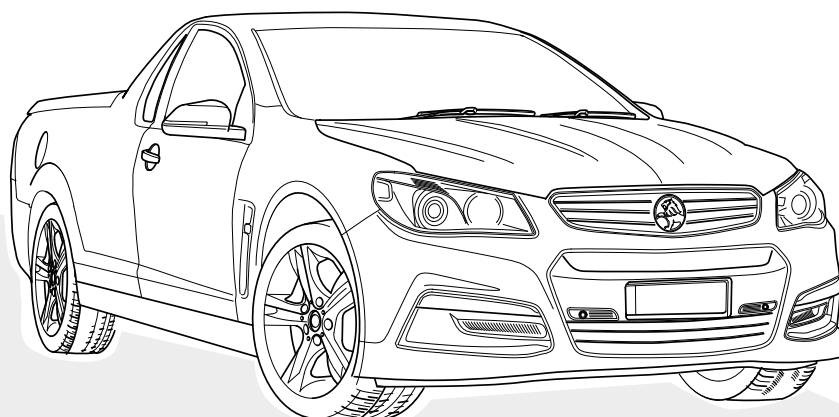
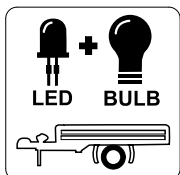




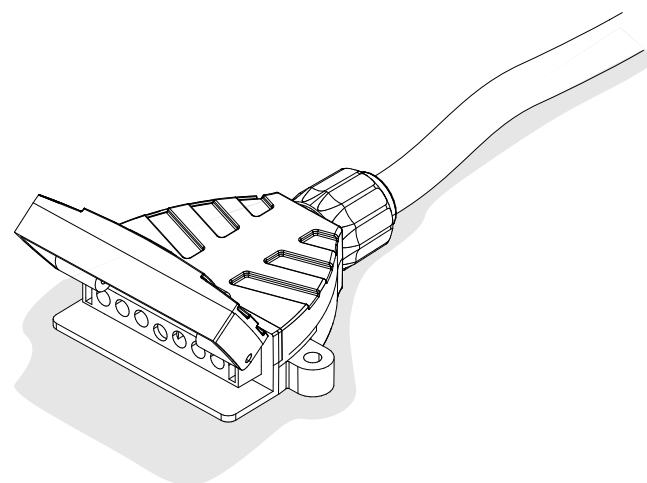
ERICH JAEGER



HOLDEN VF UTE

07/13 >>

750042



5DDFCJ98 CERTIFIED AND TESTED WITH



**SPECTRUM™
BRAKE CONTROL**



Installation instructions

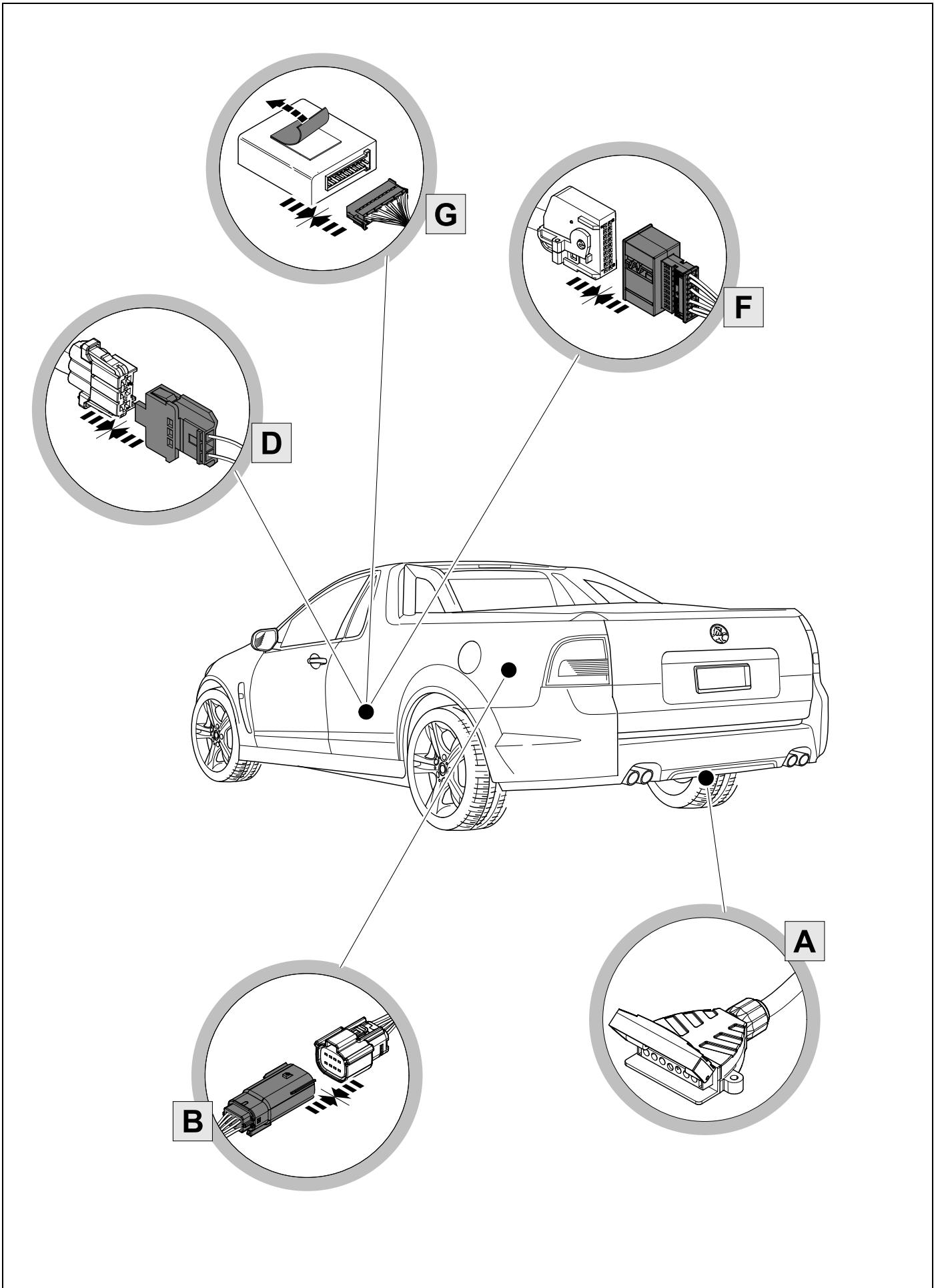
Reference:

The following information must be reviewed before beginning the assembly:

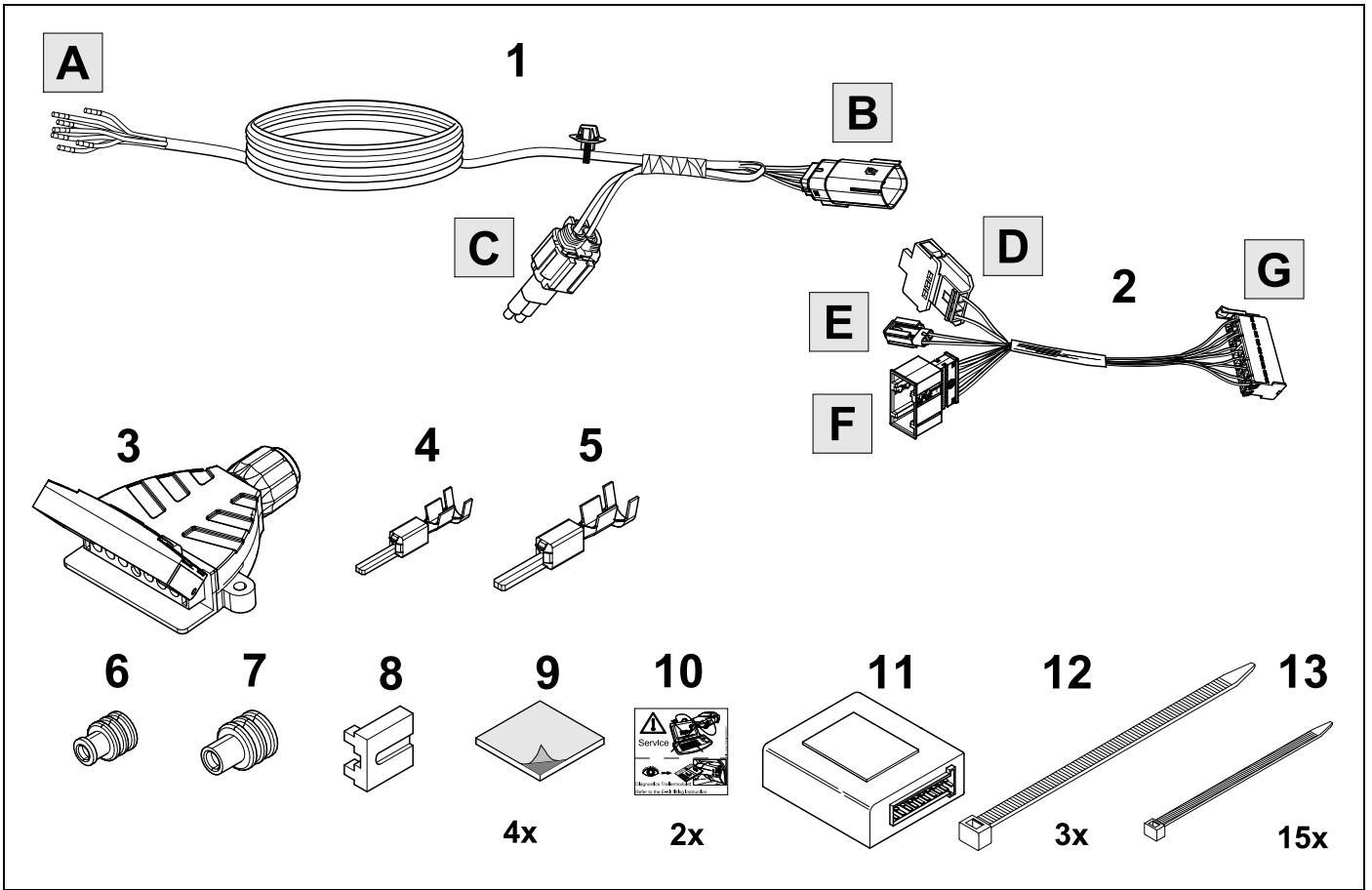
The installation instructions are to be thoroughly read.

The installation should be carried out by qualified personnel with the relevant technical knowledge. The vehicle manufacturers' current technical notices and information on retrofitting must be followed. The removal and replacement instructions found in the current repair manuals must be followed.

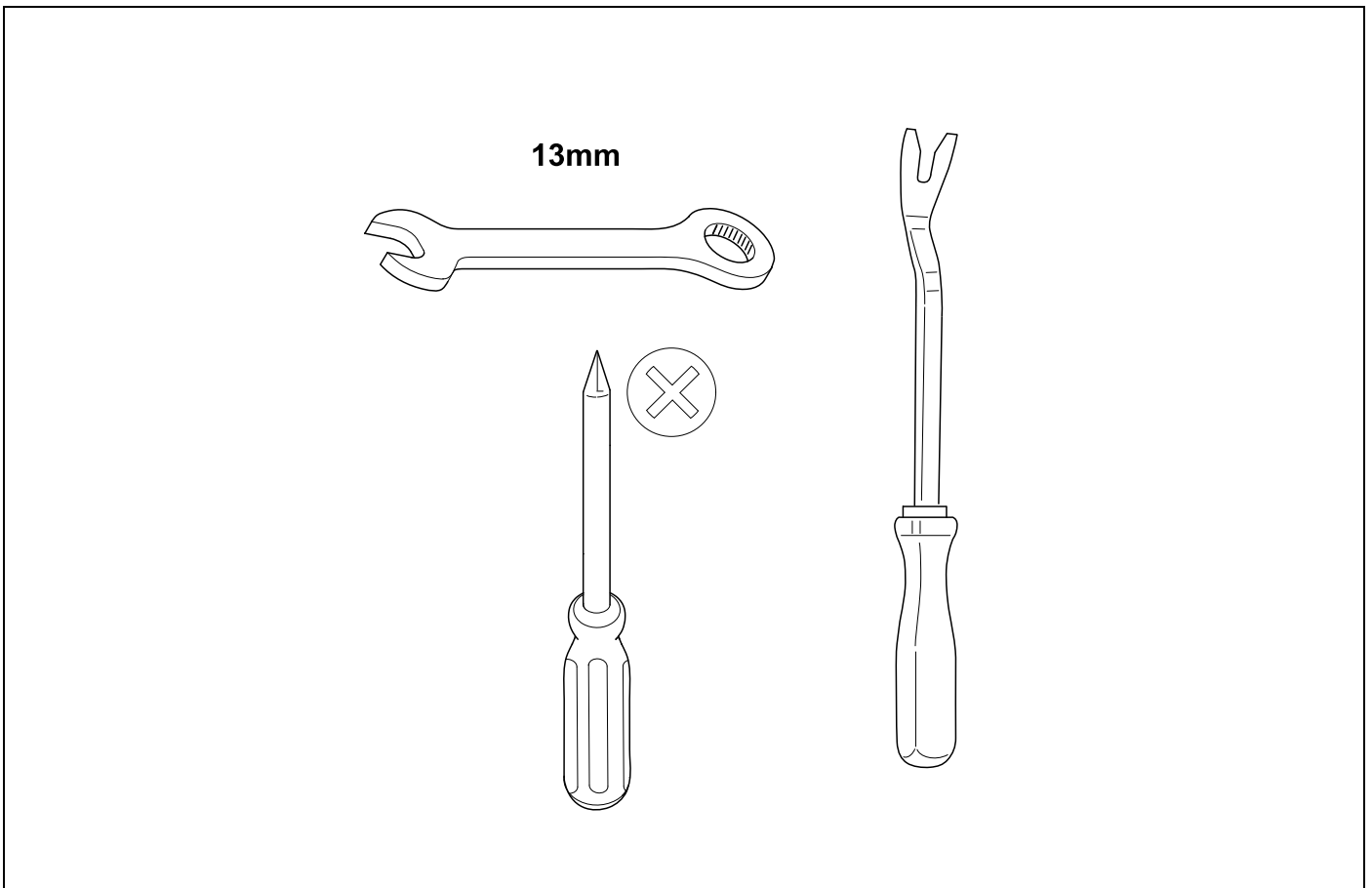
It must be ensured that the vehicle is technically suitable for the installation of a trailer hitch.



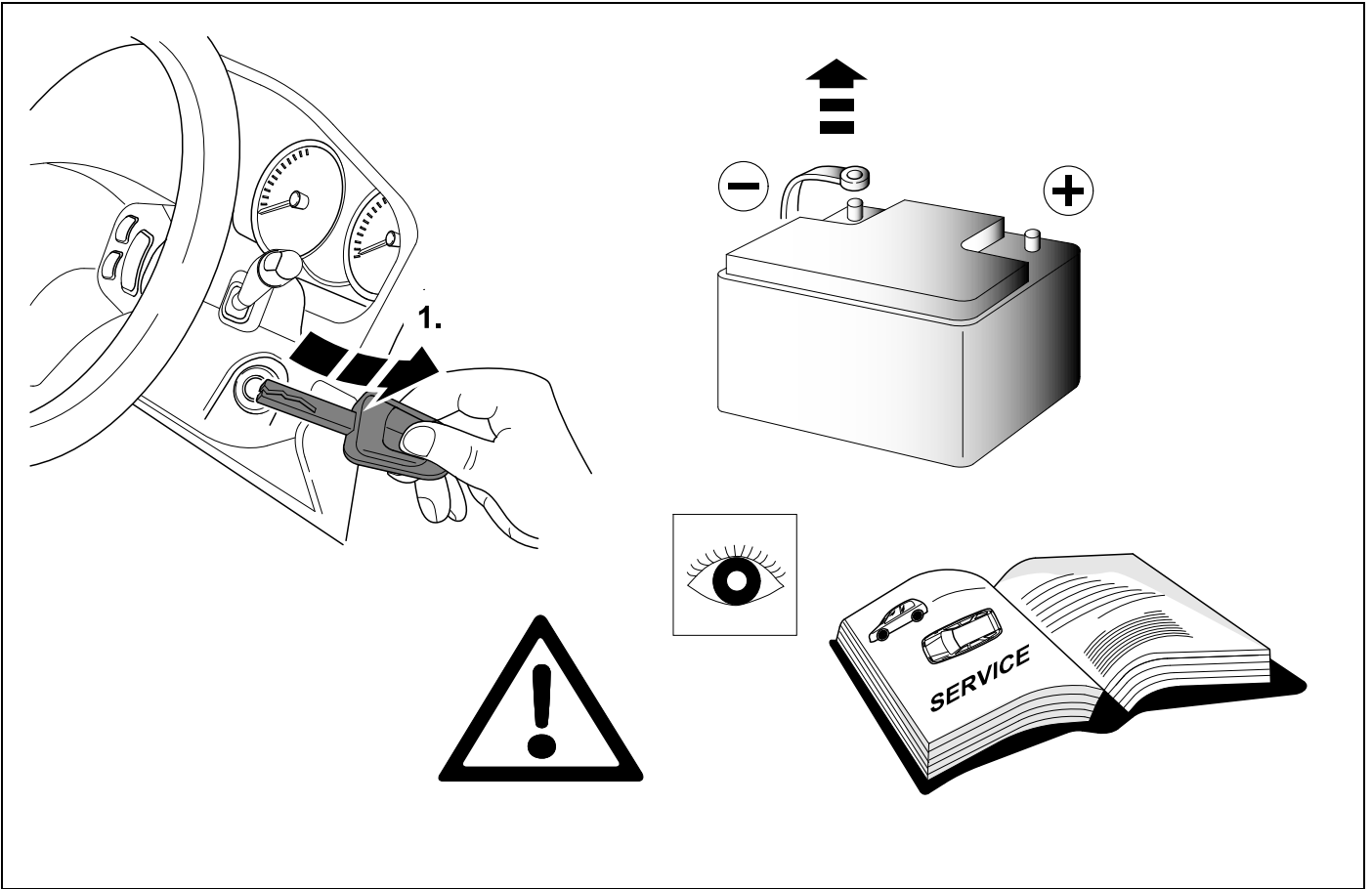
KIT



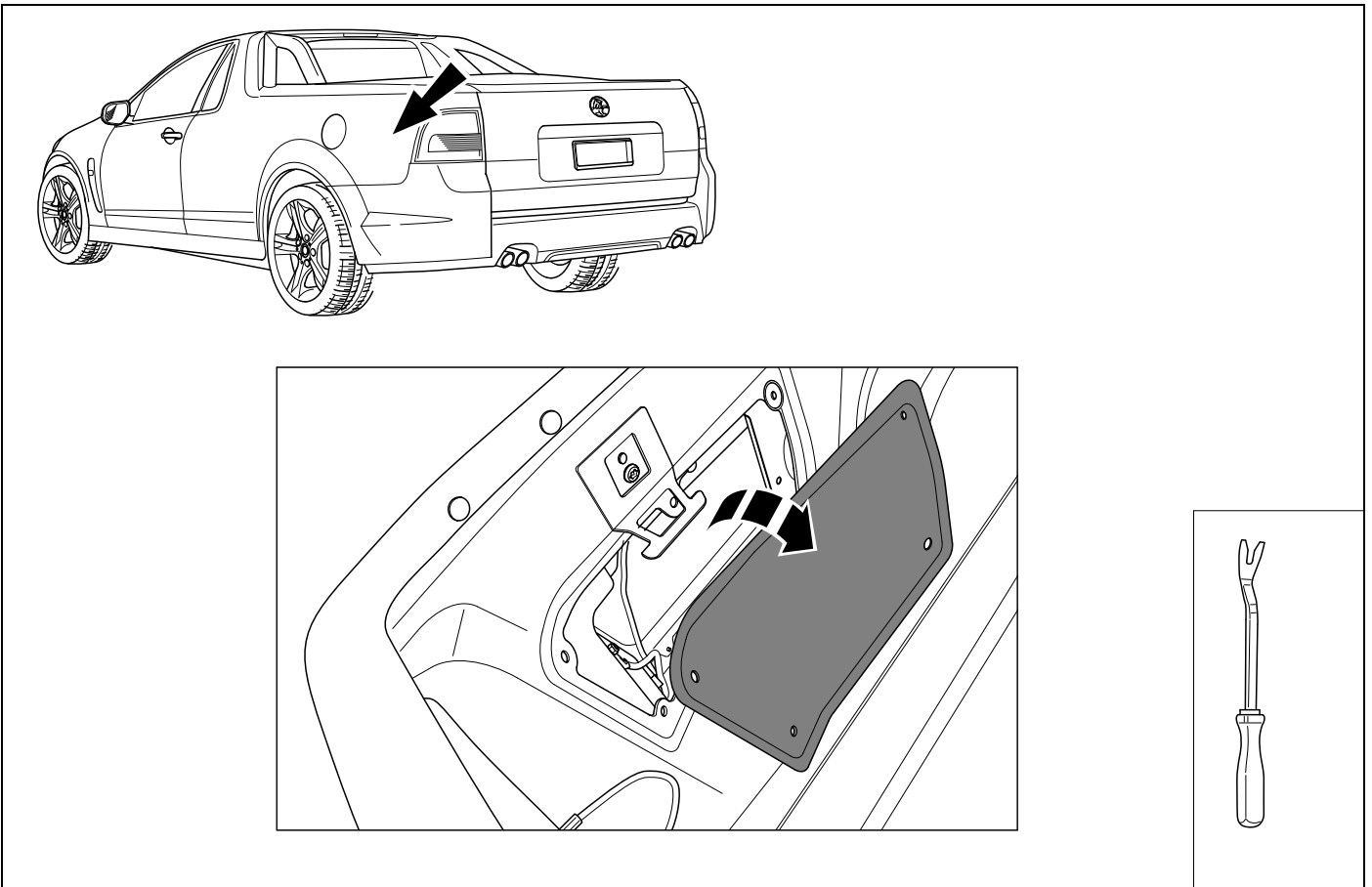
TOOLS



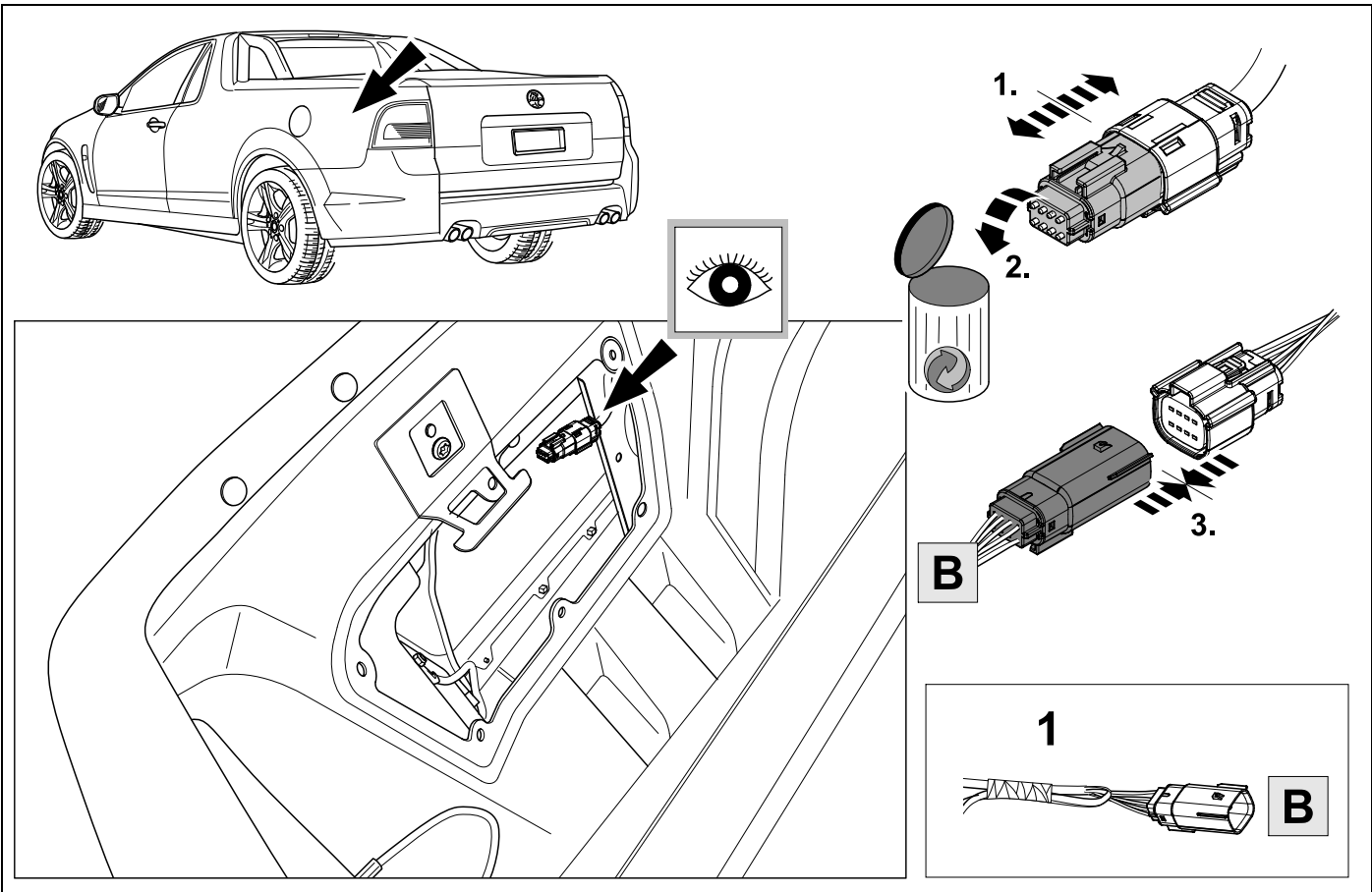
1



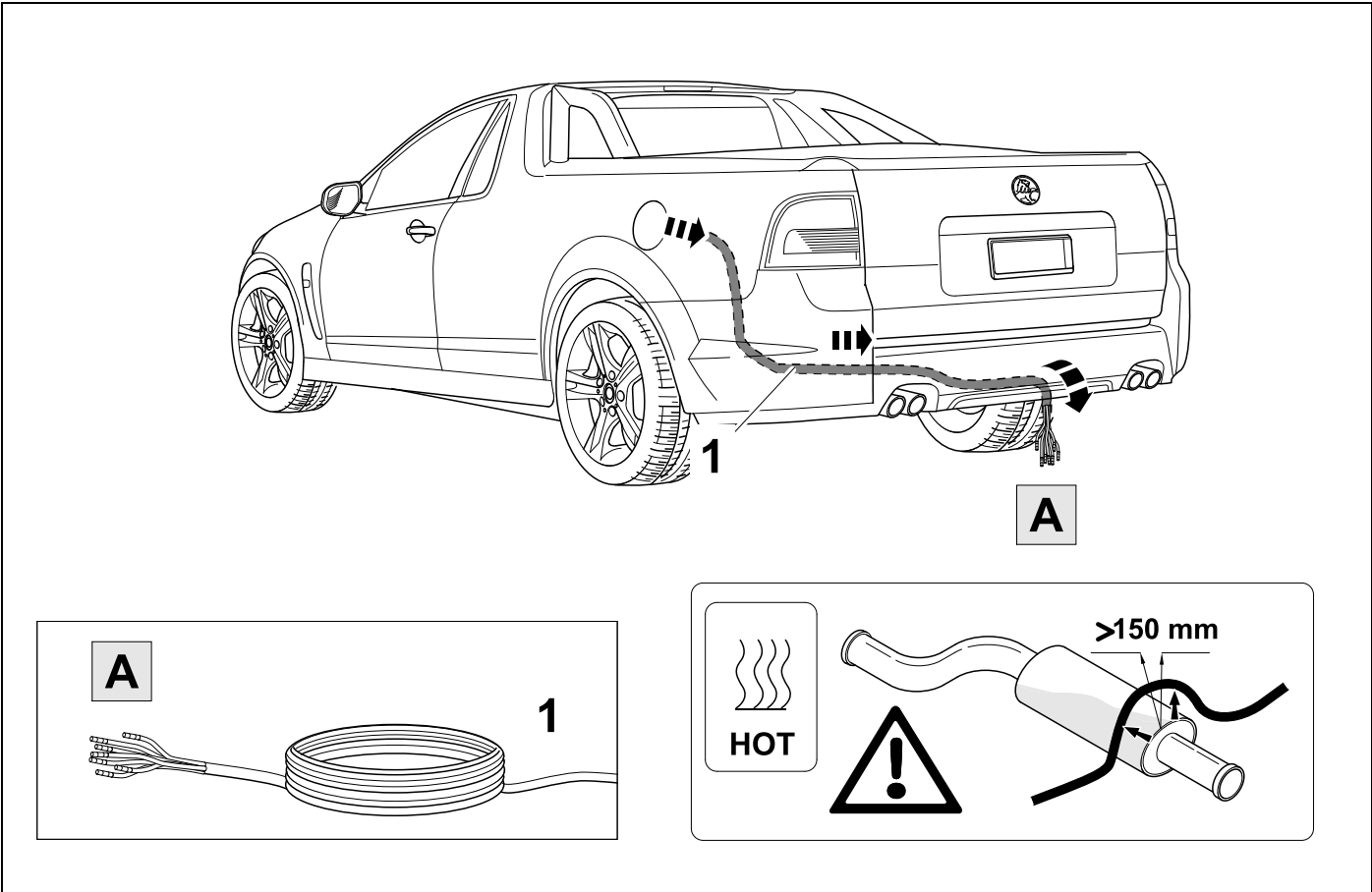
2



3



4



5



7

gn	4	
bn	7	
bk	2	
wh	3	
bu	5	
rd	6	
ye	1	

1. Strip the outer jacket of the cable (A).

2. Separate the individual conductors.

3. Strip the insulation from the conductors.

4. Twist the conductors together (A).

5. Insert the twisted conductors into the terminal block.

6

3. Mount the terminal block into the bracket.

1. Tighten the mounting screw.

7



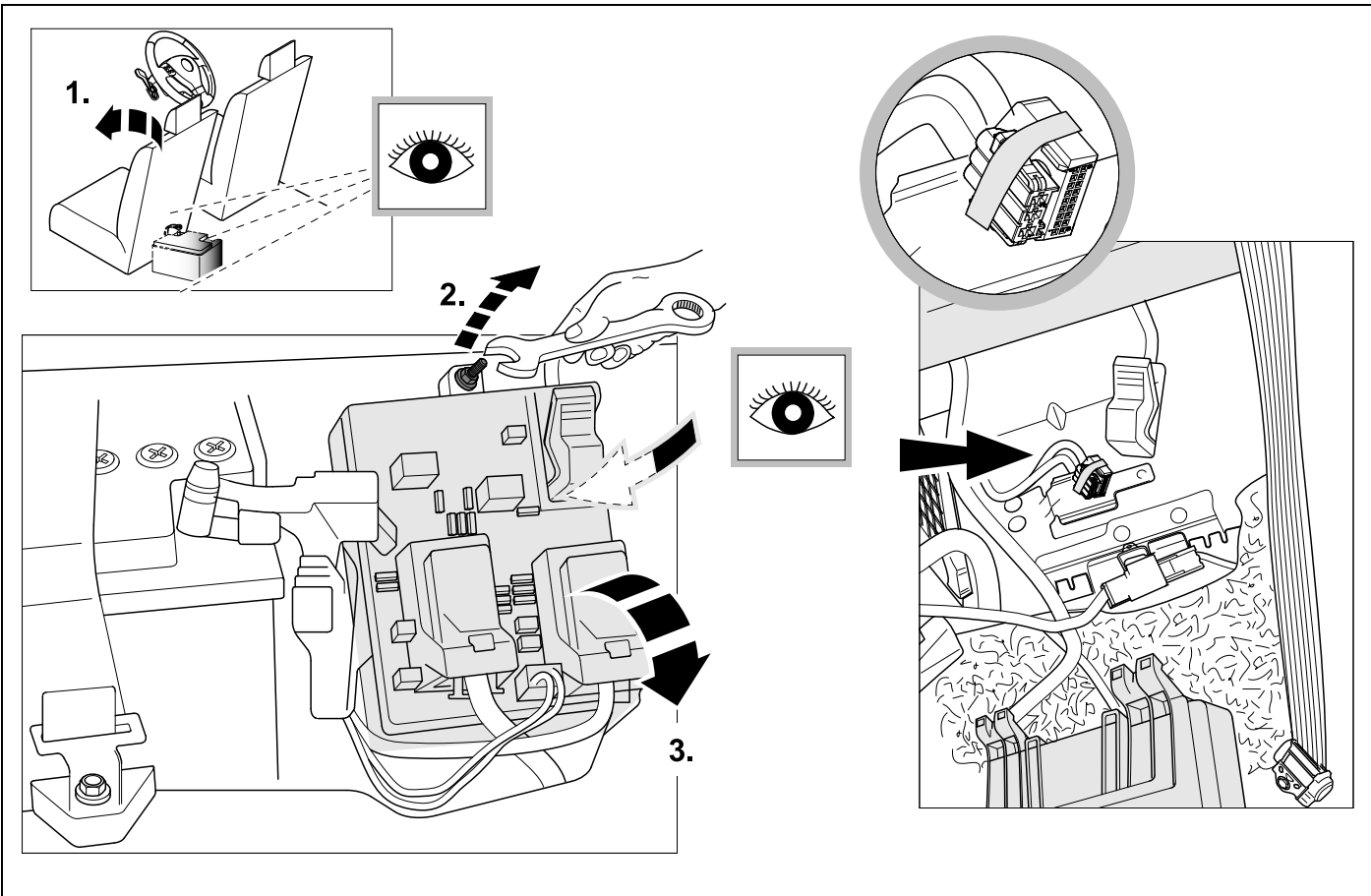
8

1	ye	
2	bk	
3	wh	
4	gn	
5	bu	
6	rd	
7	bn	

8	bk	wh	gy	gn	rd	bu	ye	bn	pu	or	no
---	----	----	----	----	----	----	----	----	----	----	----

	black	white	grey	green	red	blue	yellow	brown	purple	orange	not occupied
--	-------	-------	------	-------	-----	------	--------	-------	--------	--------	--------------

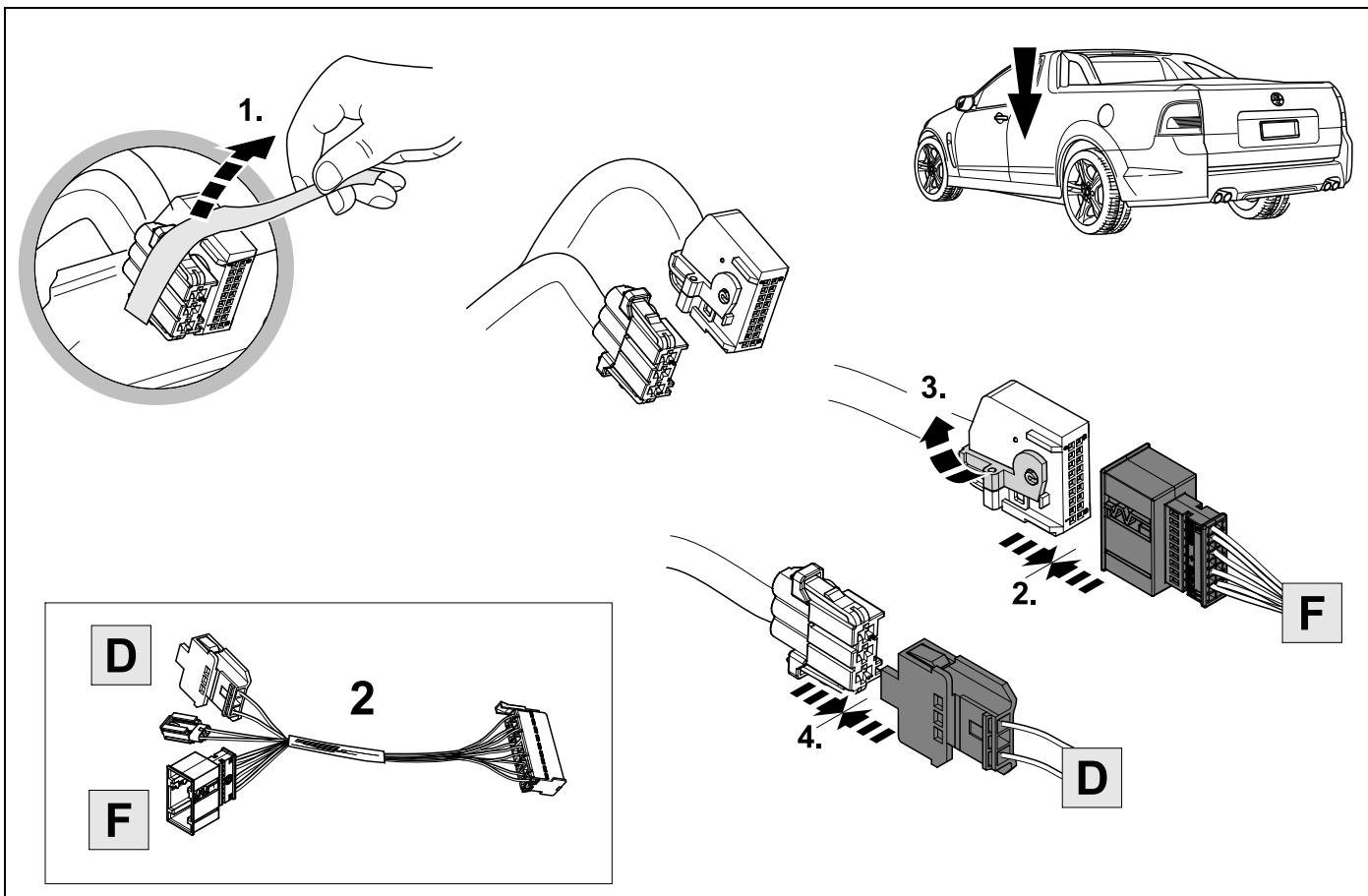
9



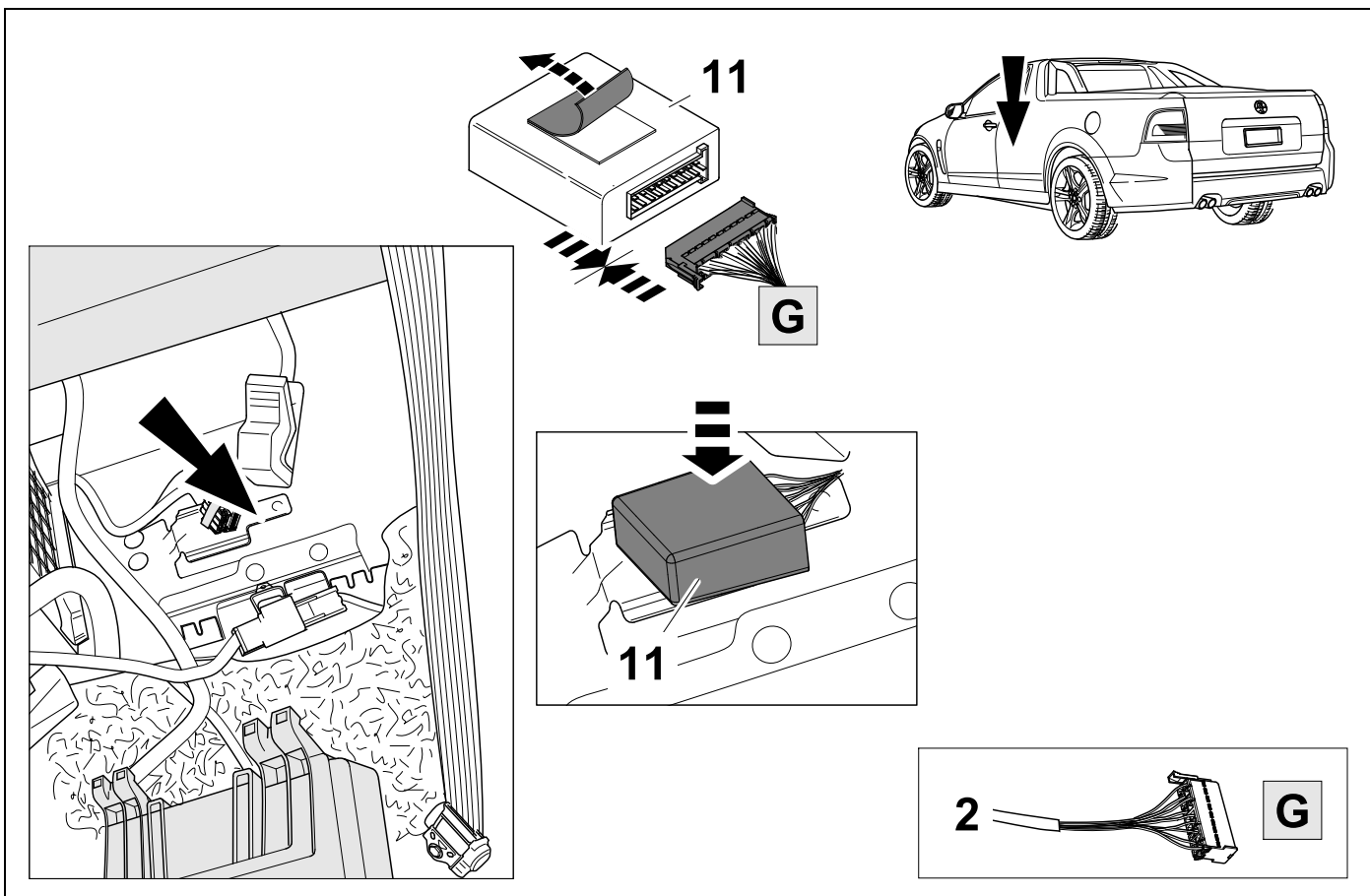
10



15



11

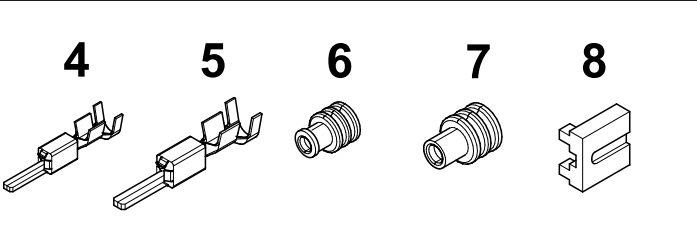
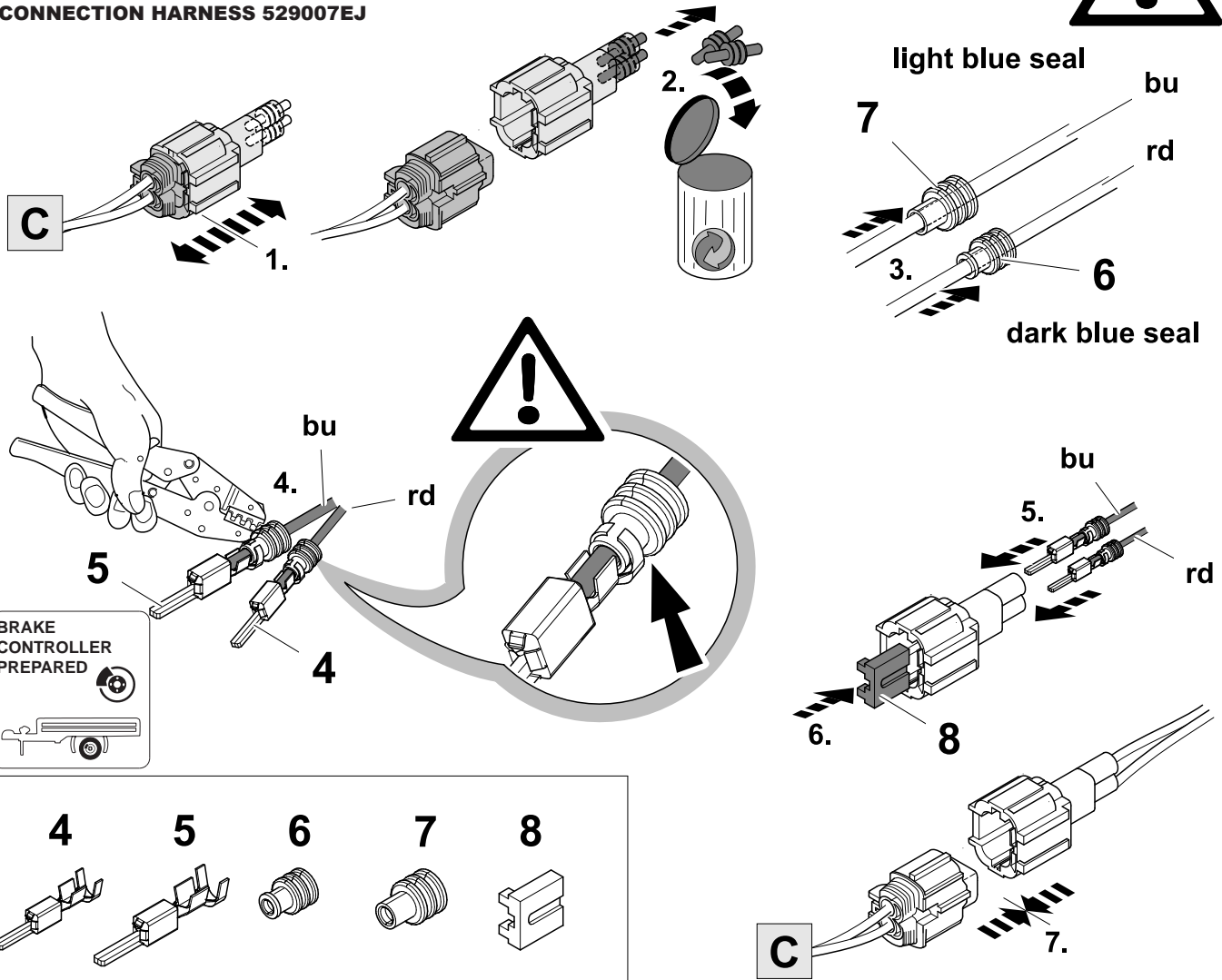


12 OPTIONAL

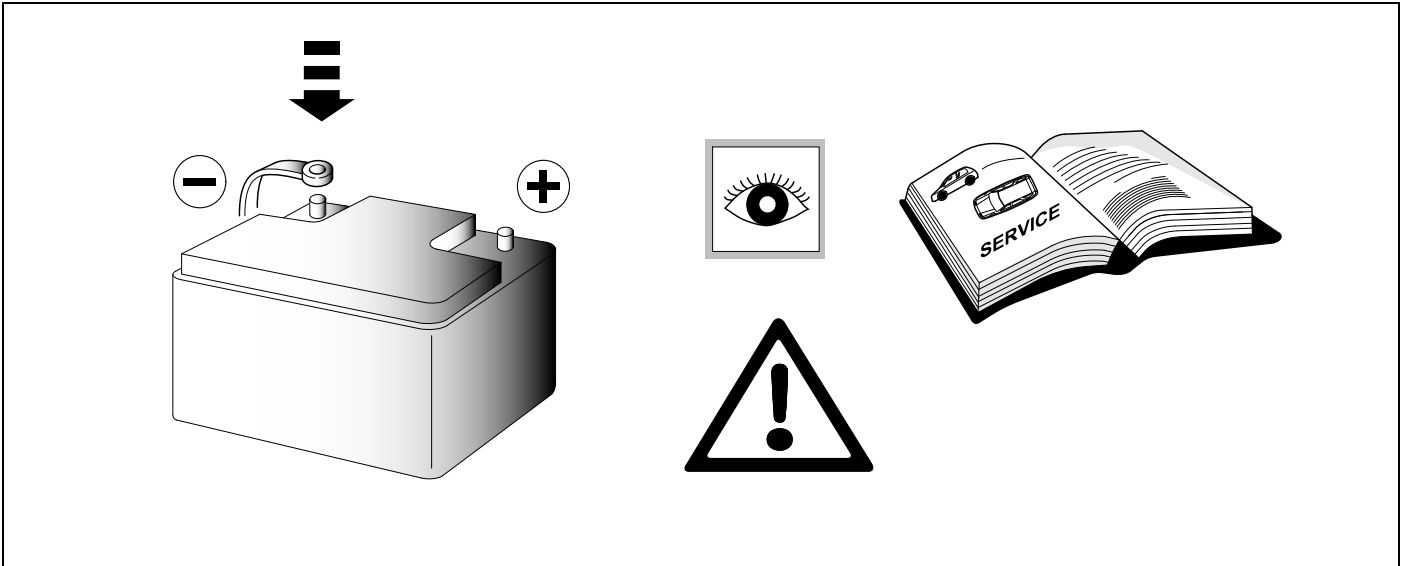
APPROVED, TESTED AND CERTIFIED TO BE USED WITH THE SPECTRUM BRAKE CONTROLLER.

Trailer Brake Preparation

USE OUR BRAKE CONTROLLER CONNECTION HARNESS 529007EJ

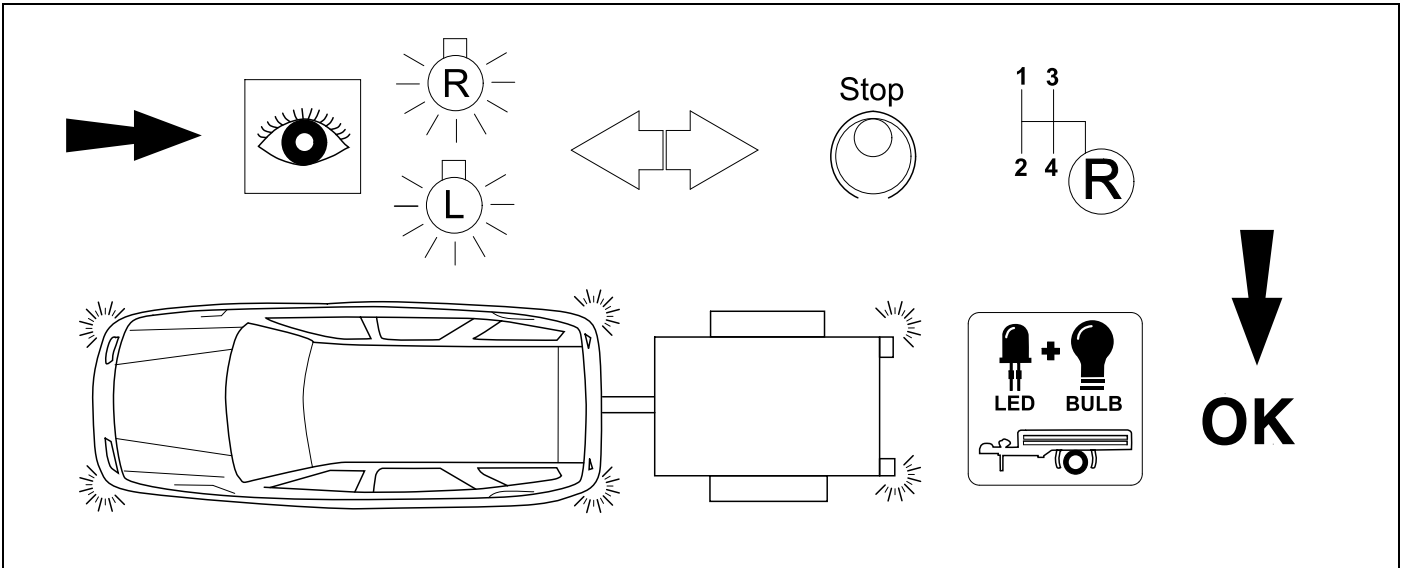


13



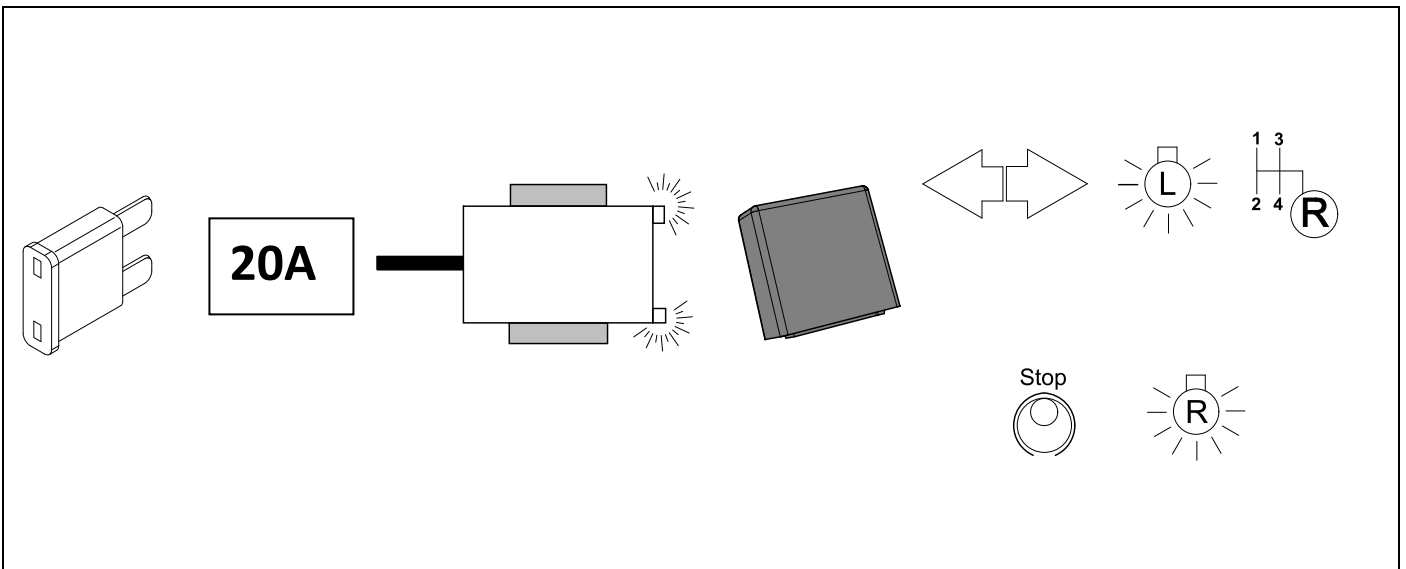
14

CHECK ALL LIGHTING FUNCTIONS



15

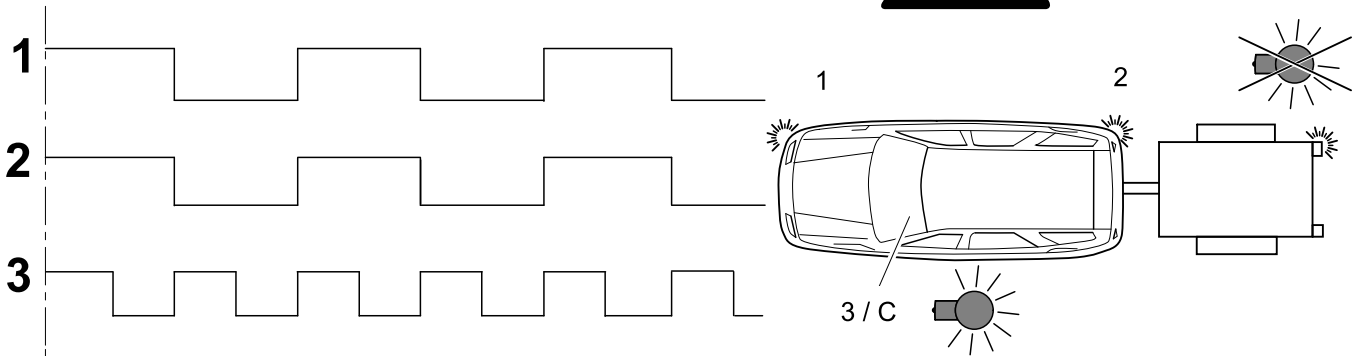
👁️ ⇒ 10



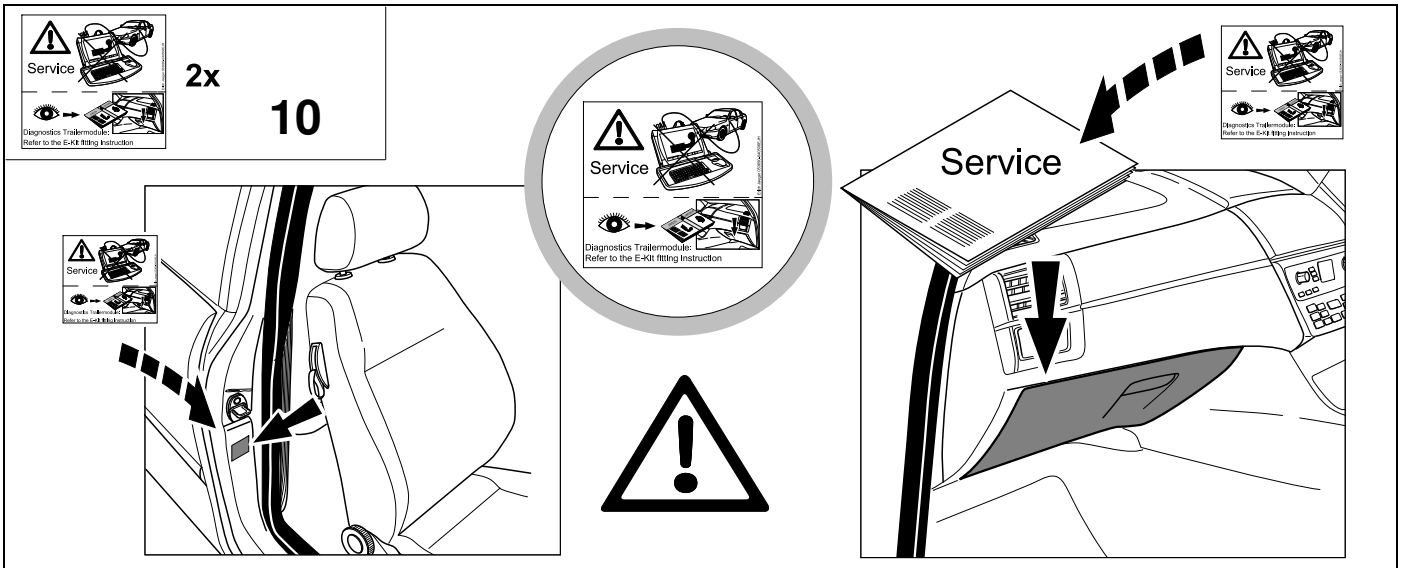
16

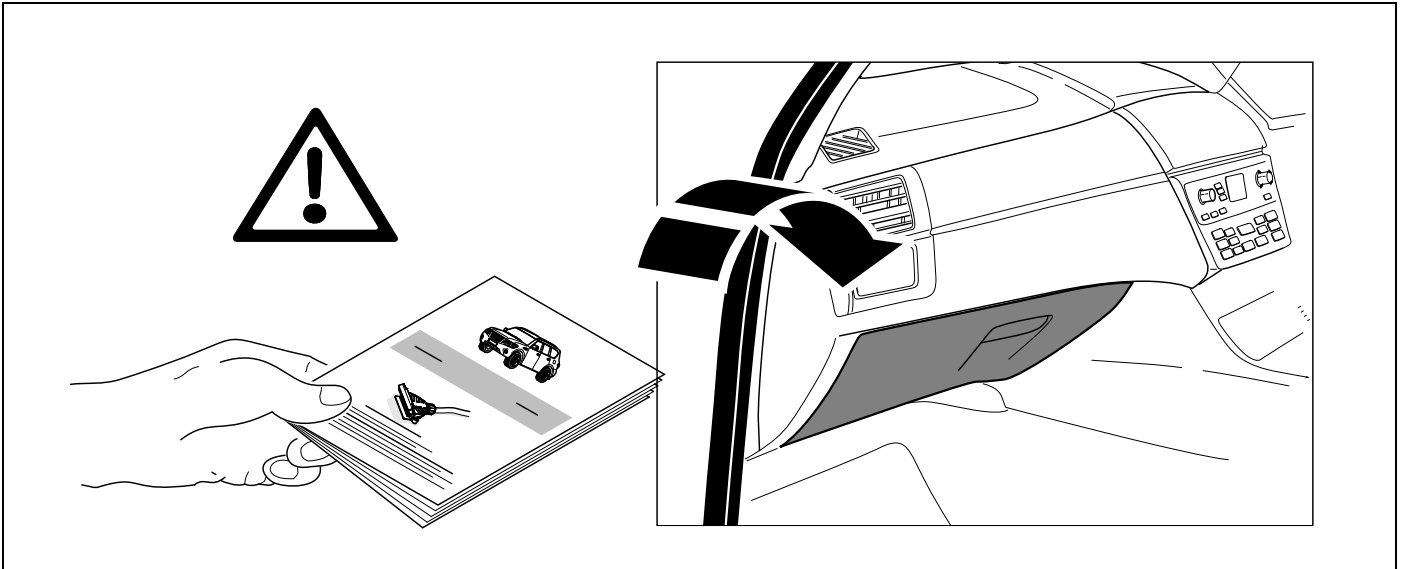
CHECK BULB OUT DETECTION

BULB OUT CONDITION INDICATED WITH INCREASED INDICATOR FREQUENCY



17





Subject to change in terms of construction, equipment and colour, and may contain errors.
The information and illustrations are non-binding.

Scan this for our full E-Kit catalogue

