

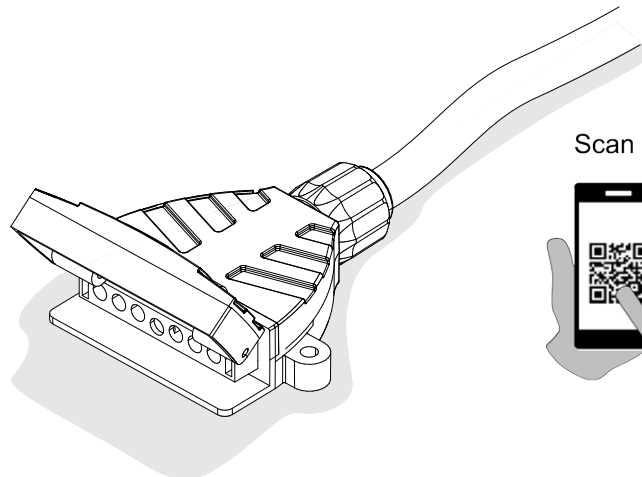
BMW X5 F15

11/13 >>

BMW X6 F16

12/14 >>

750009



Scan this for our full E-Kit catalogue



Installation instructions

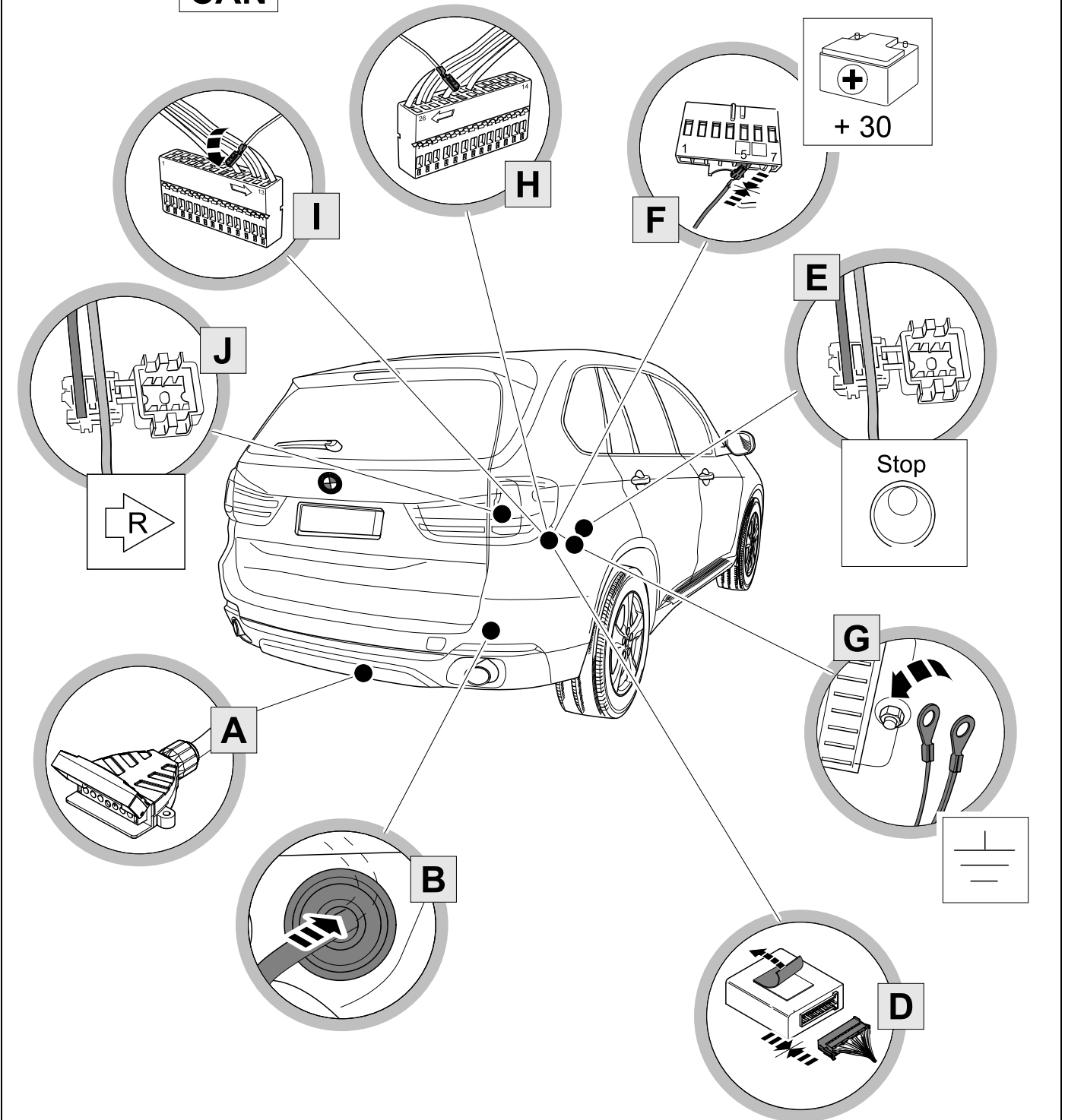
Reference:

The following information must be reviewed before beginning the assembly:

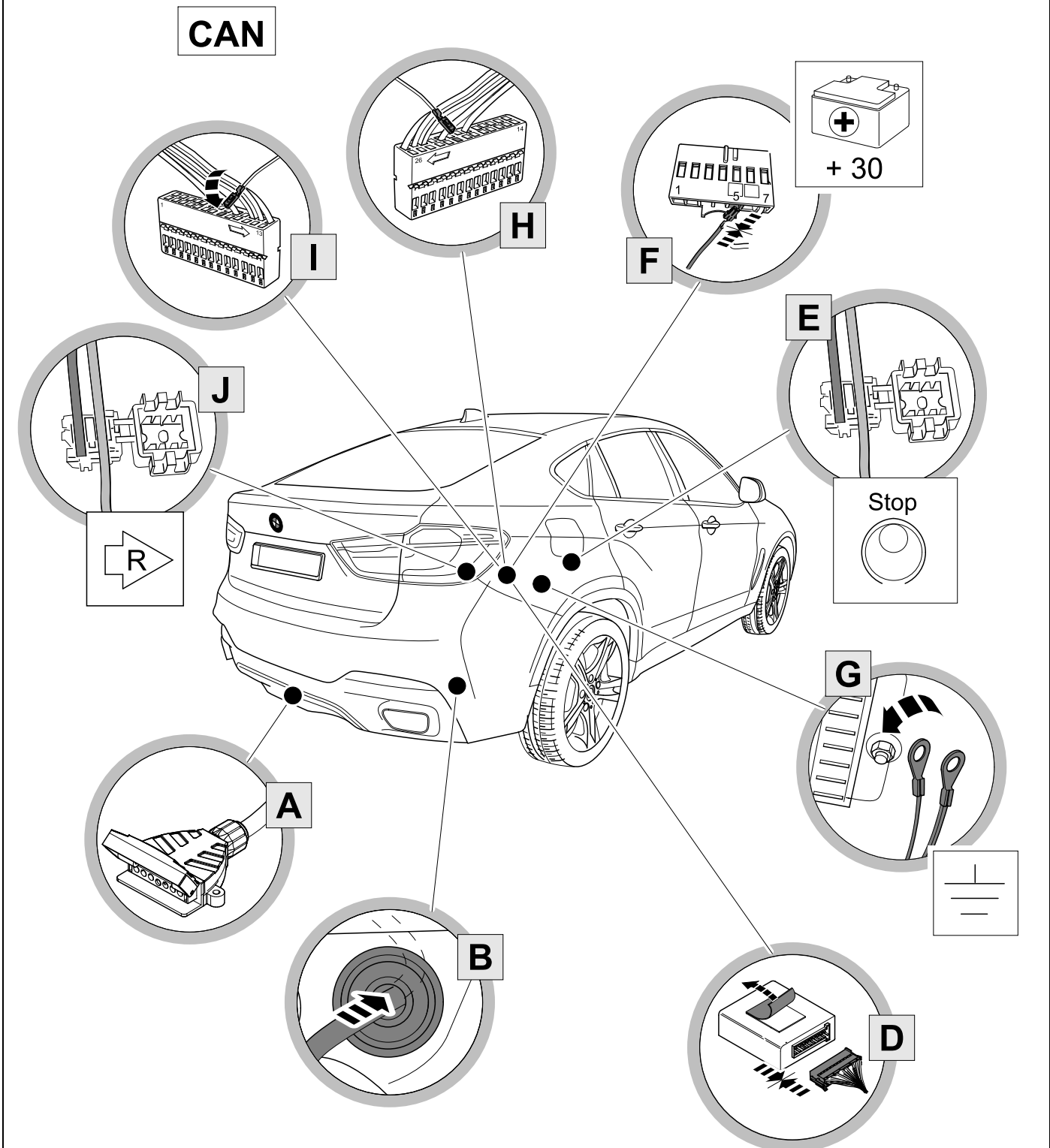


The installation instructions are to be thoroughly read.
The installation should be carried out by qualified personnel with the relevant technical knowledge.
The vehicle manufacturers' current technical notices and information on retrofitting must be followed.
The removal and replacement instructions found in the current repair manuals must be followed.
It must be ensured that the vehicle is technically suitable for the installation of a trailer hitch.

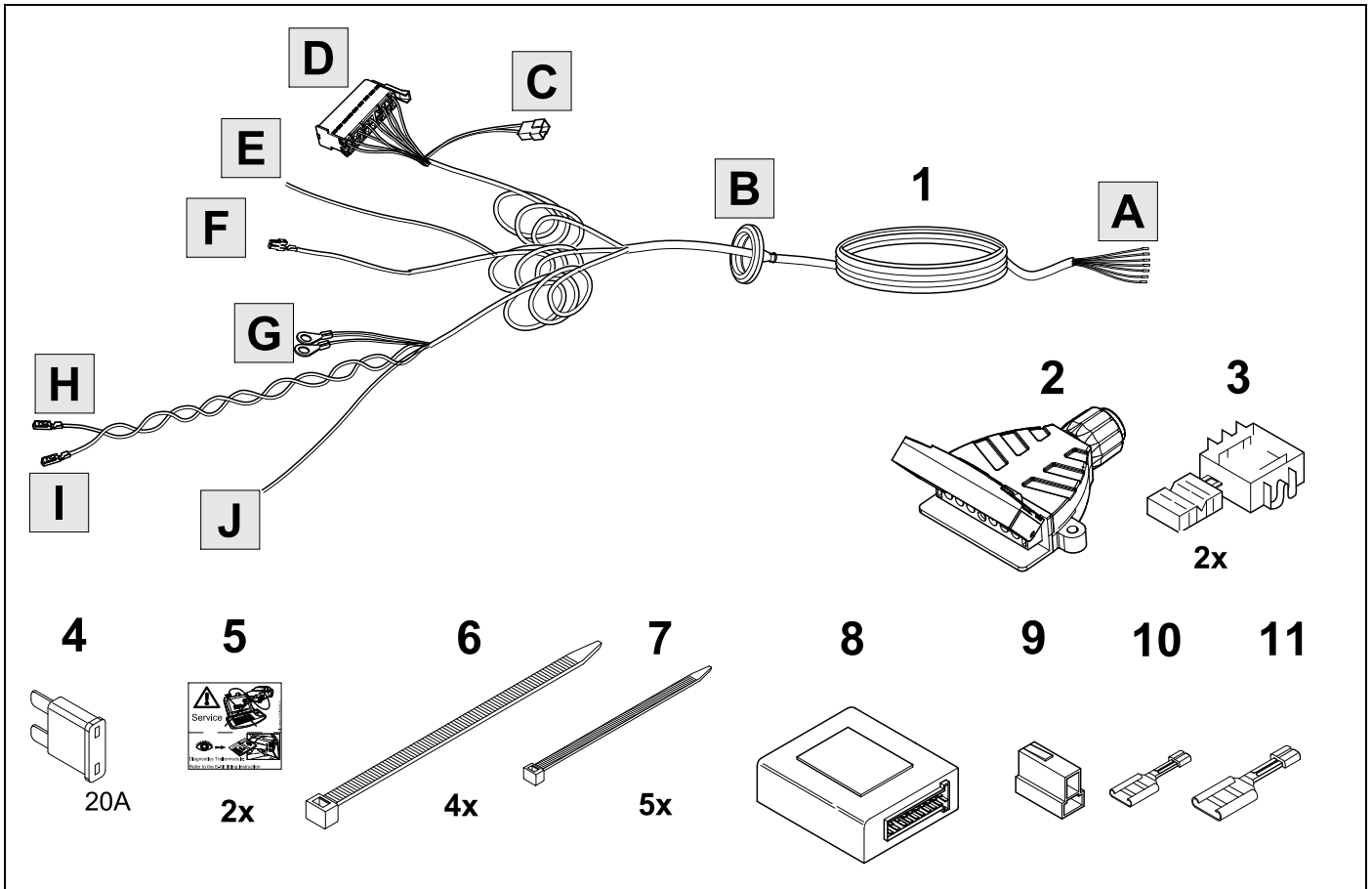
CAN



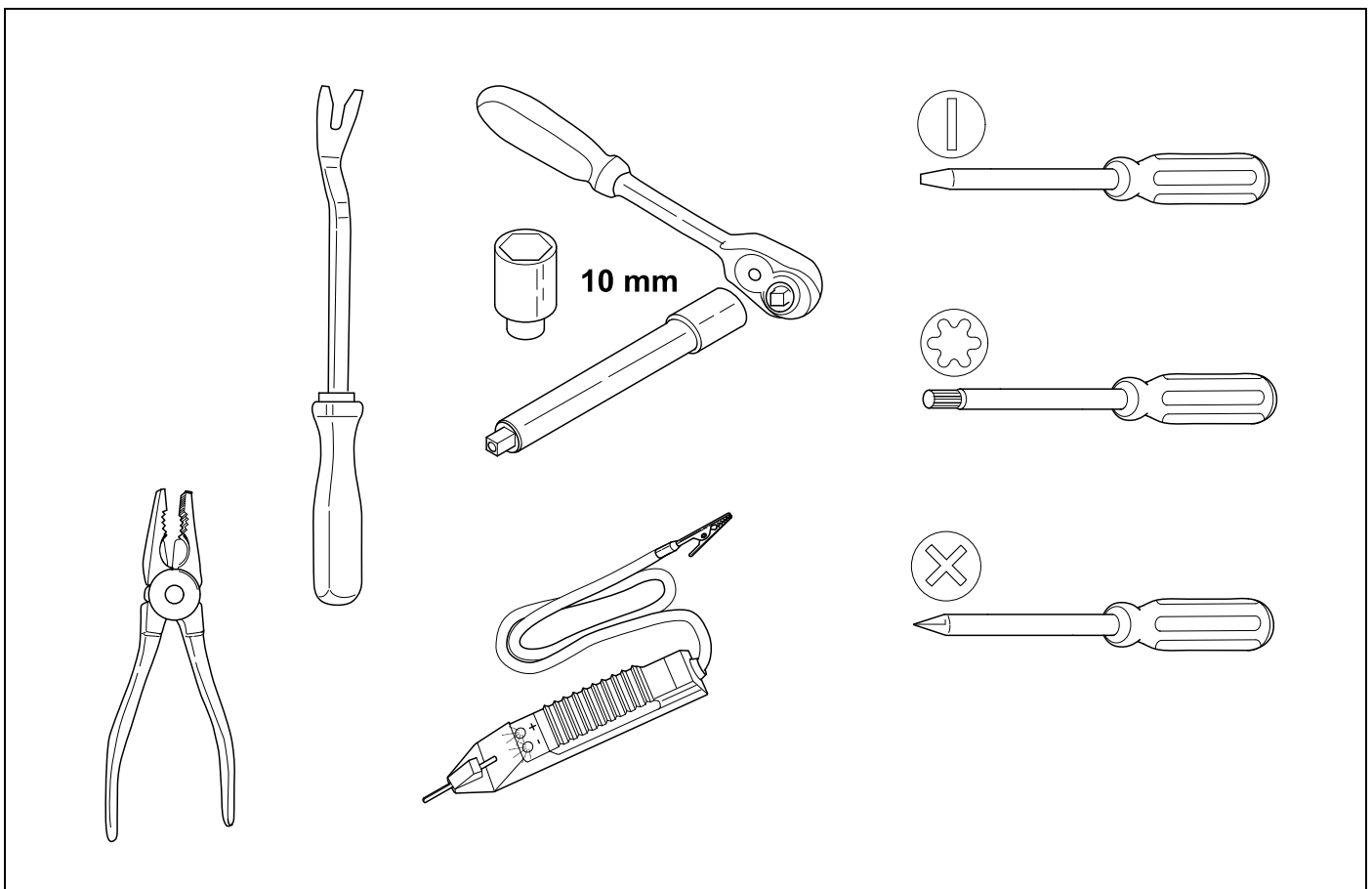
CAN



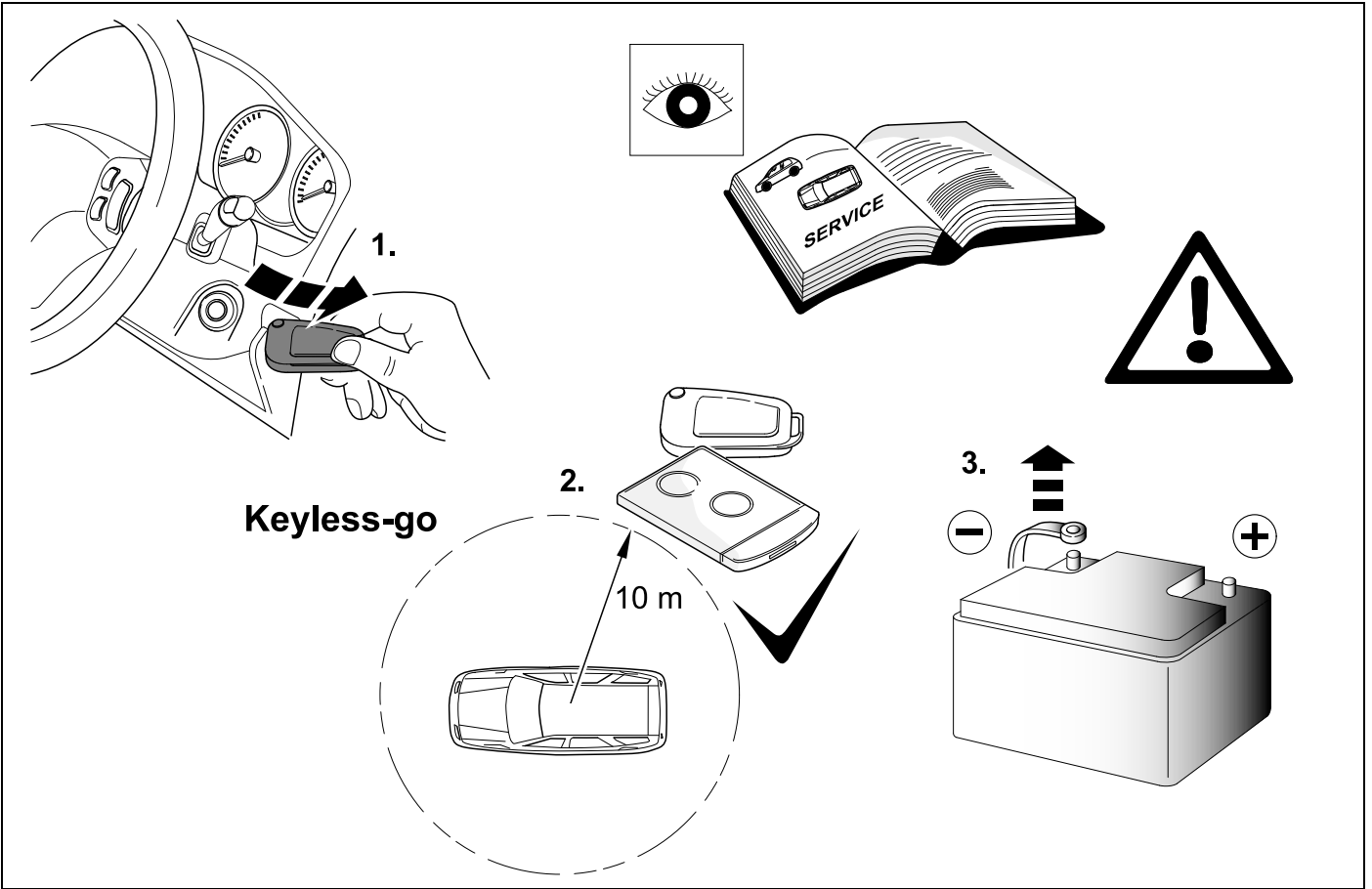
KIT



TOOLS

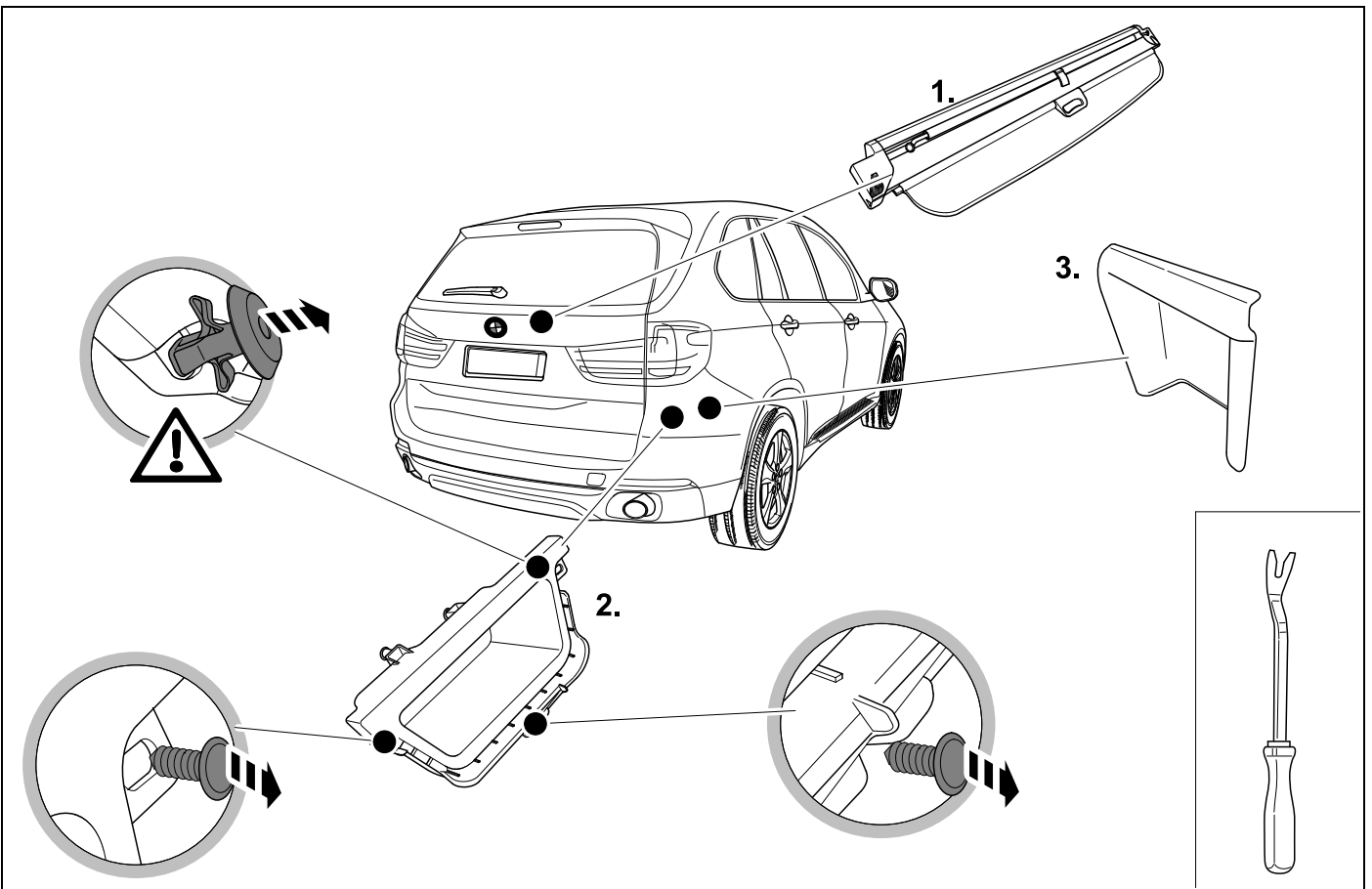


1



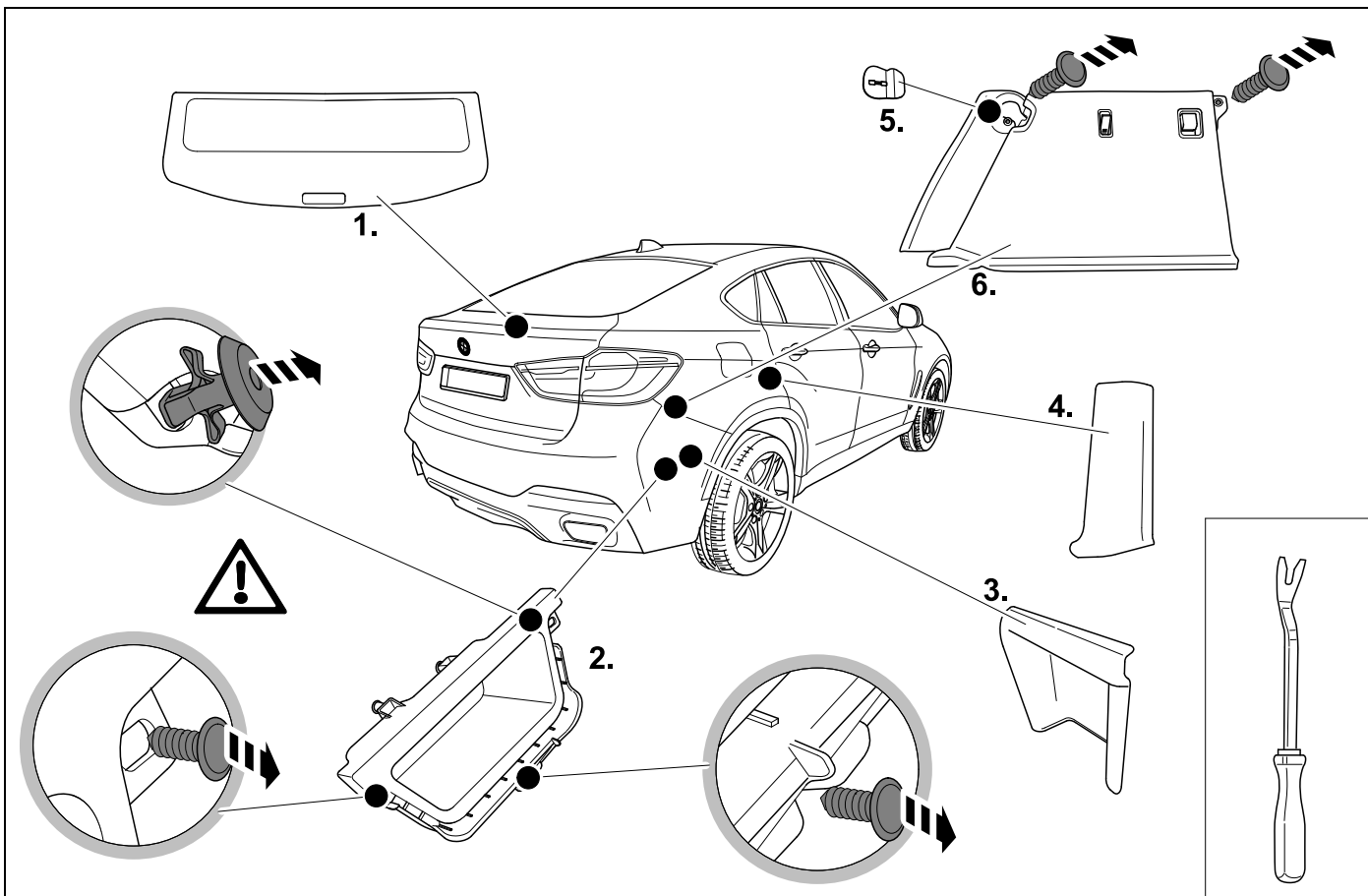
2

X5

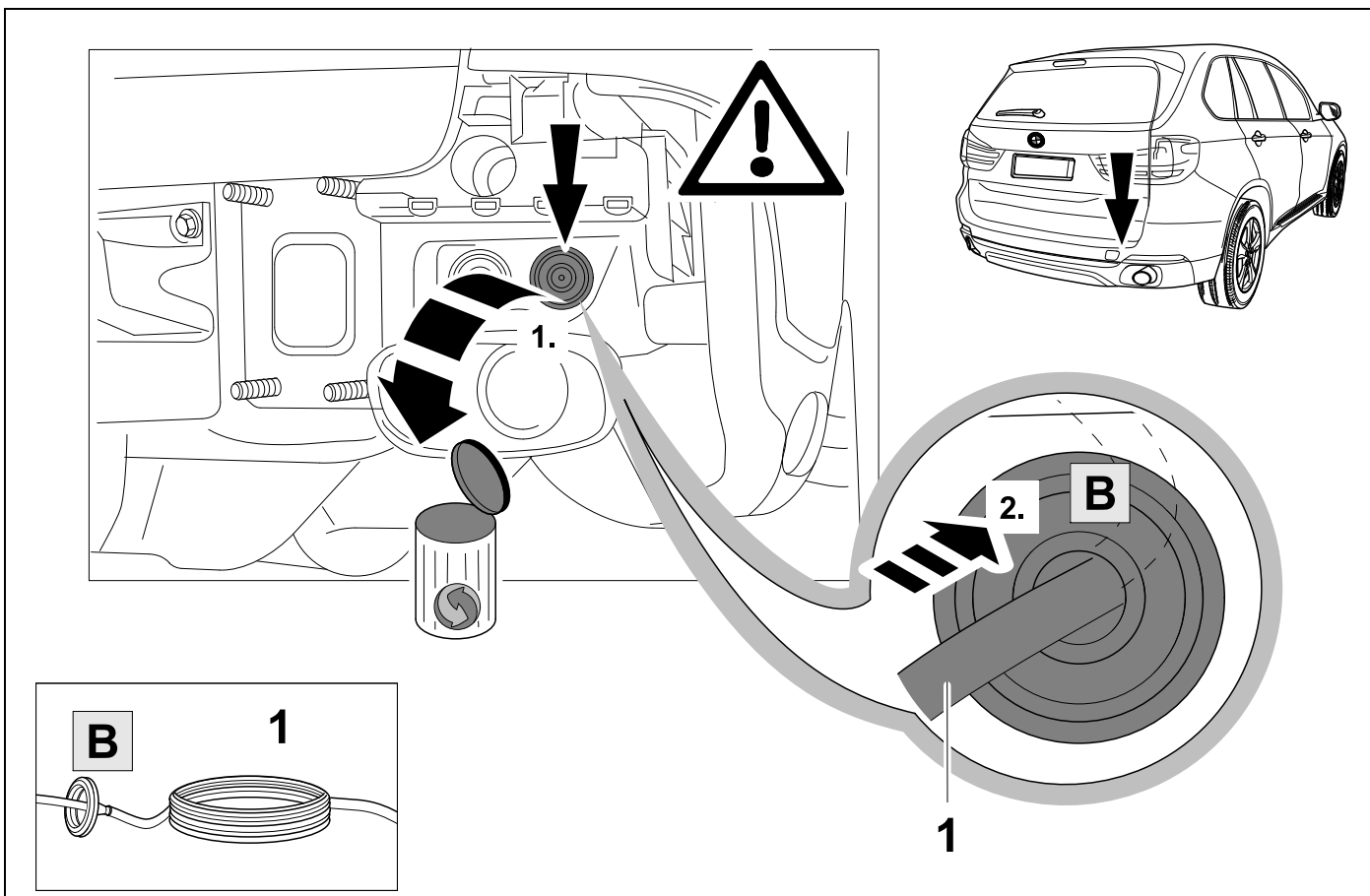


3

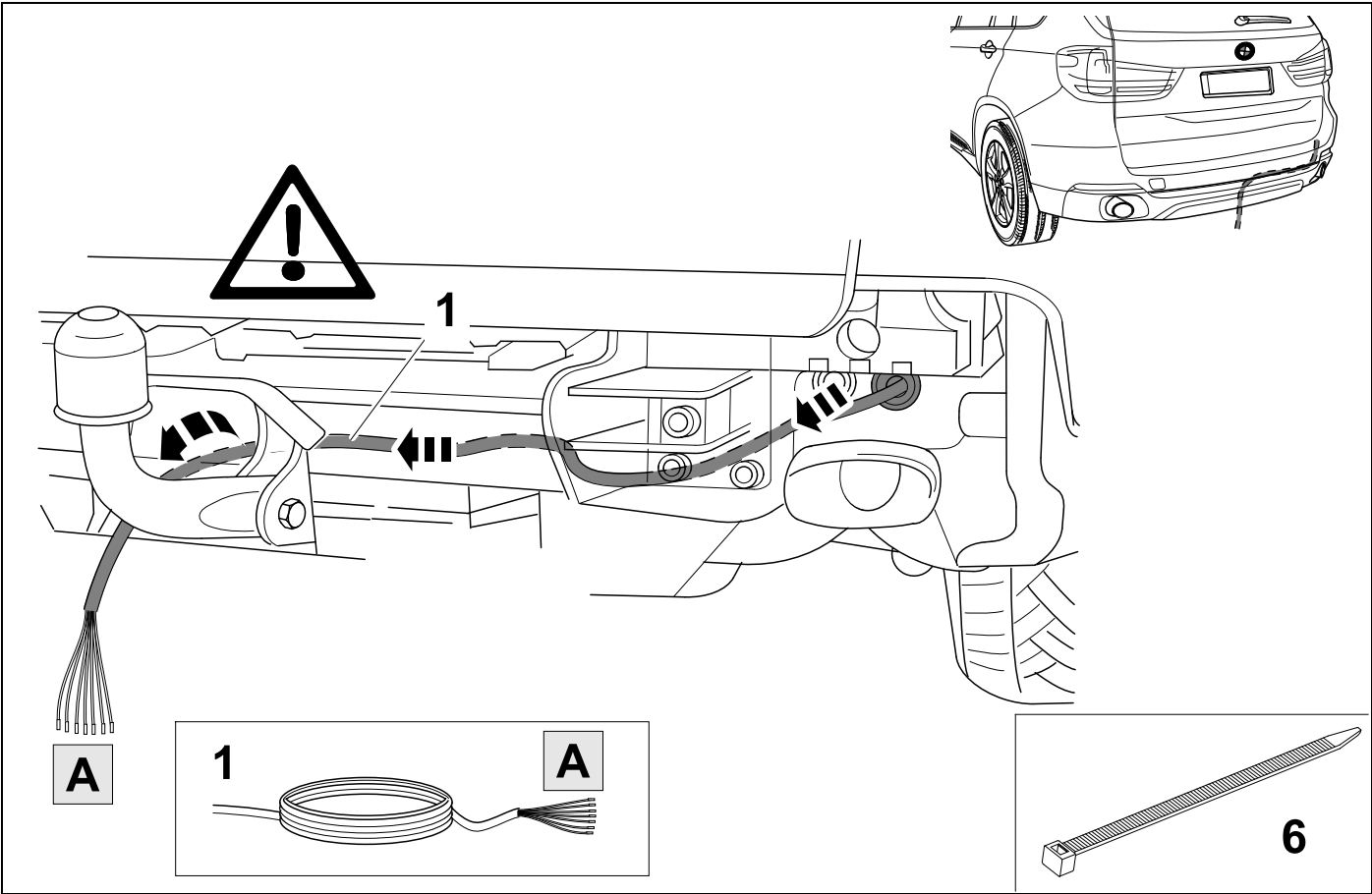
X6



4



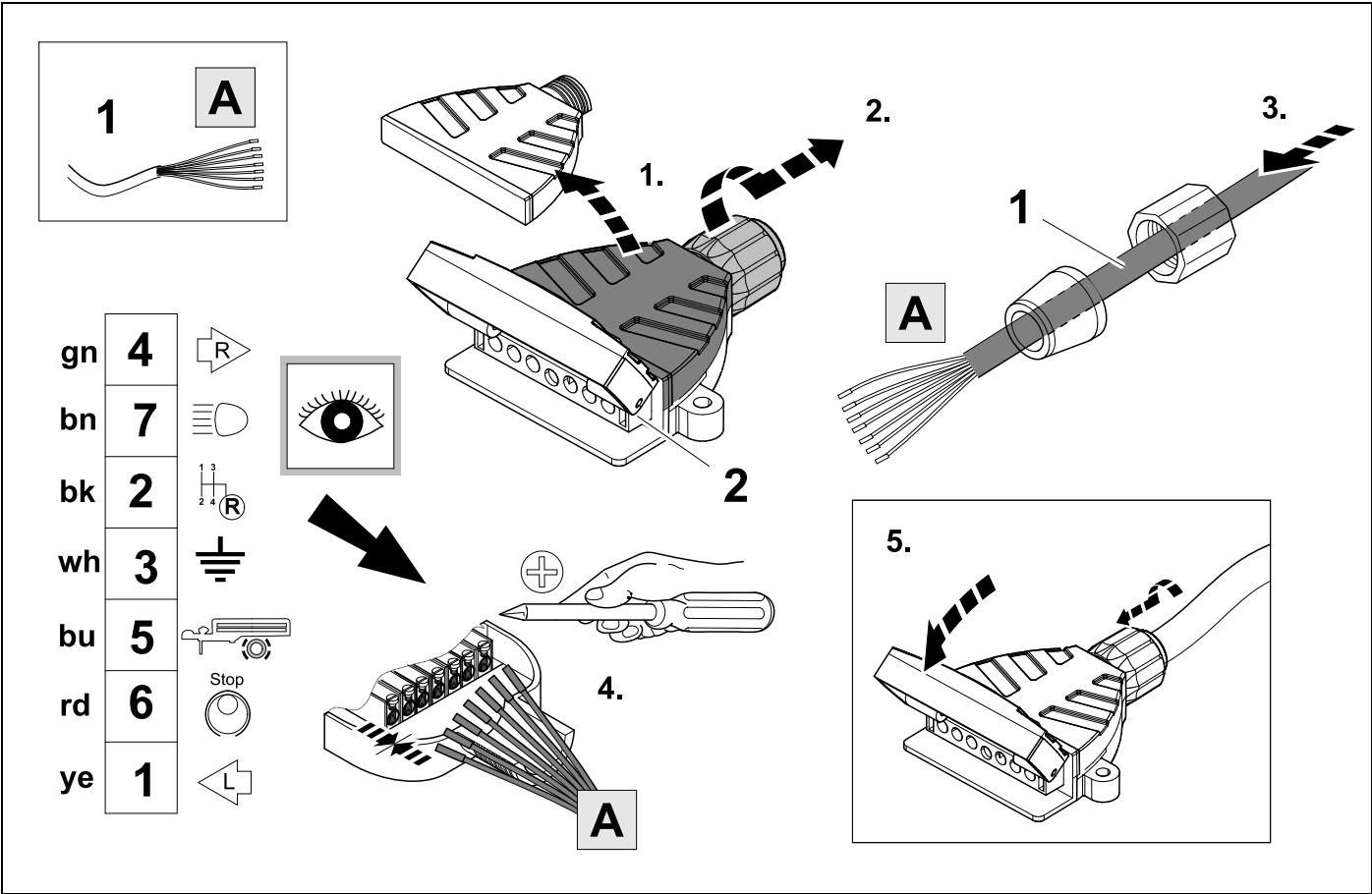
5



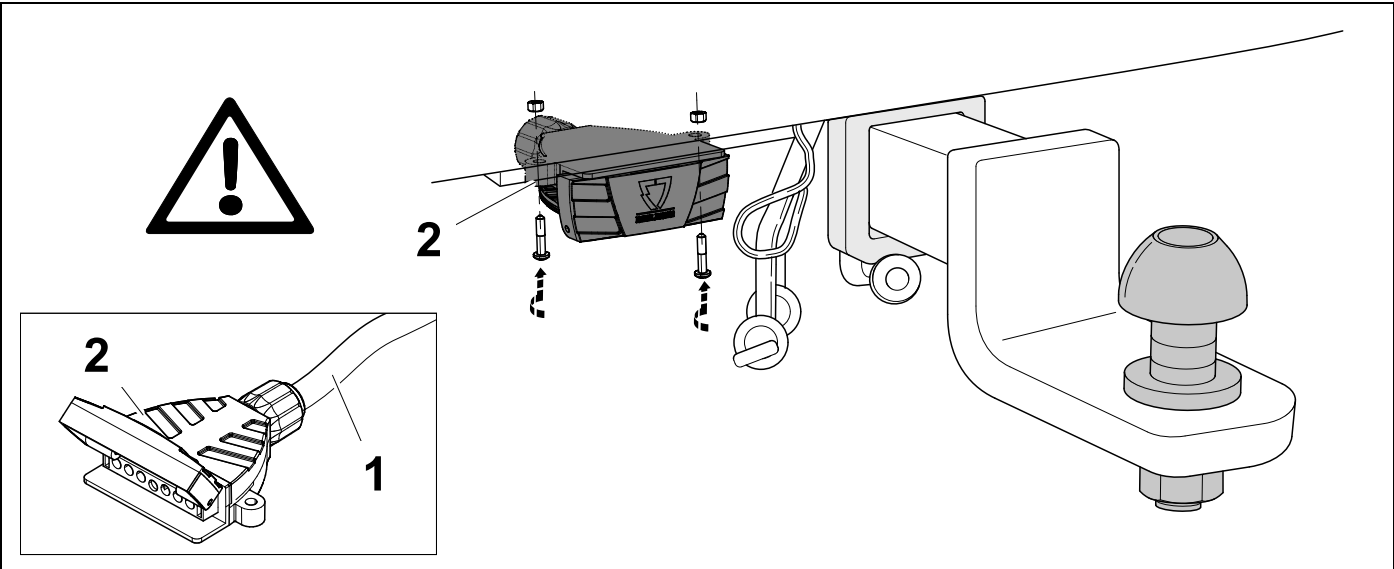
6



8



7



8



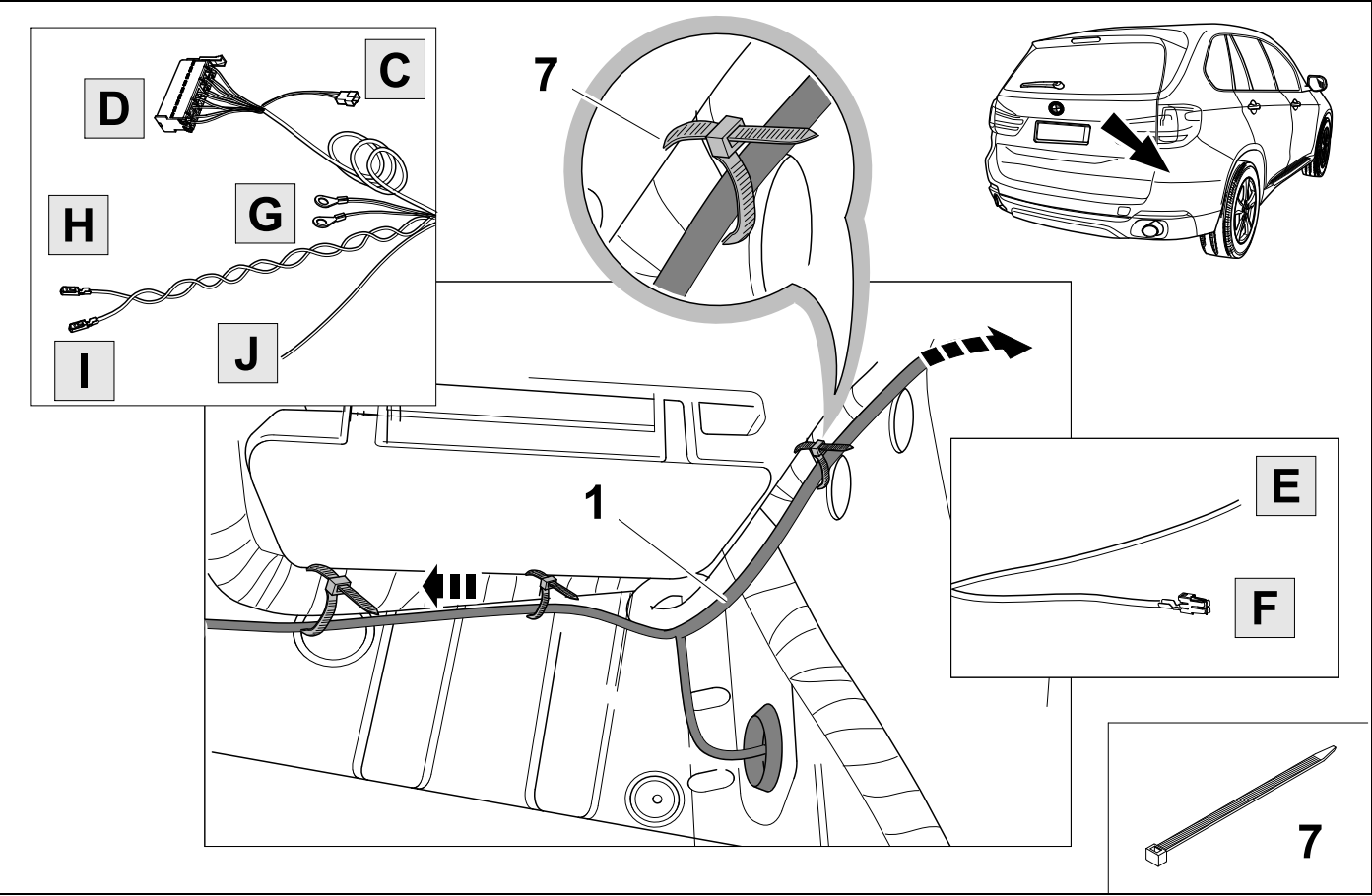
9

1	ye	
2	bk	
3	wh	
4	gn	
5	bu	
6	rd	
7	bn	

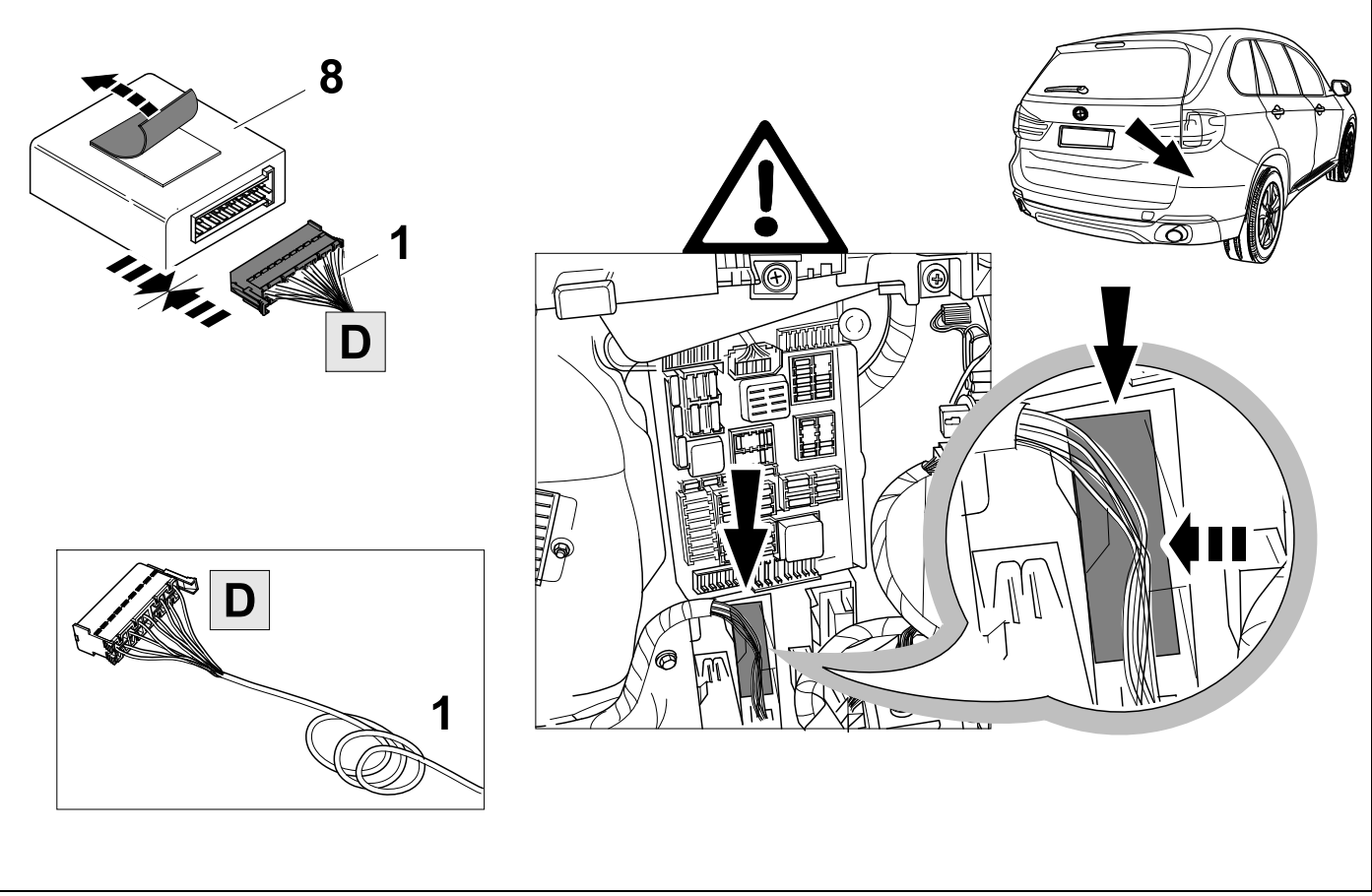
9	bk	wh	gy	gn	rd	bu	ye	bn	pu	or	no
---	----	----	----	----	----	----	----	----	----	----	----

	black	white	grey	green	red	blue	yellow	brown	purple	orange	not occupied
--	-------	-------	------	-------	-----	------	--------	-------	--------	--------	--------------

10



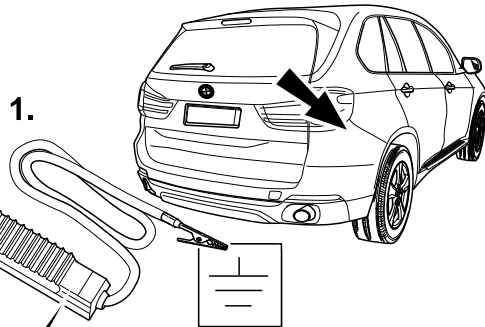
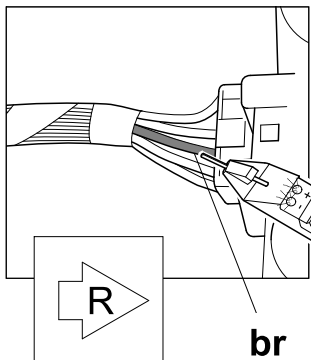
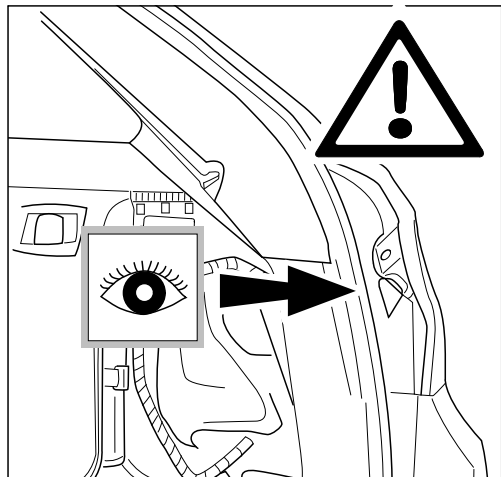
11



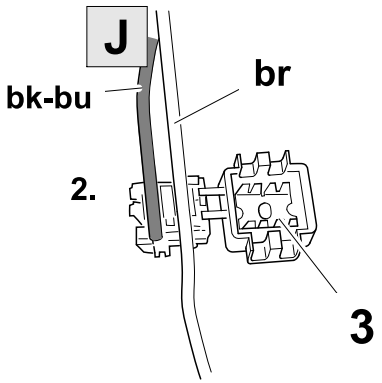
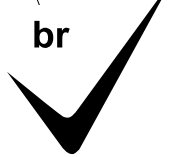
12



9

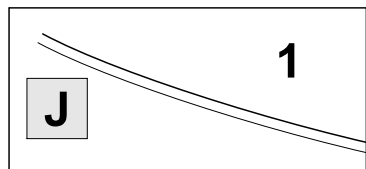
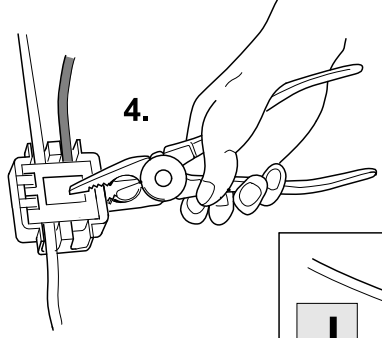
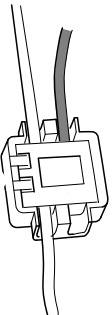


1.

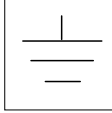
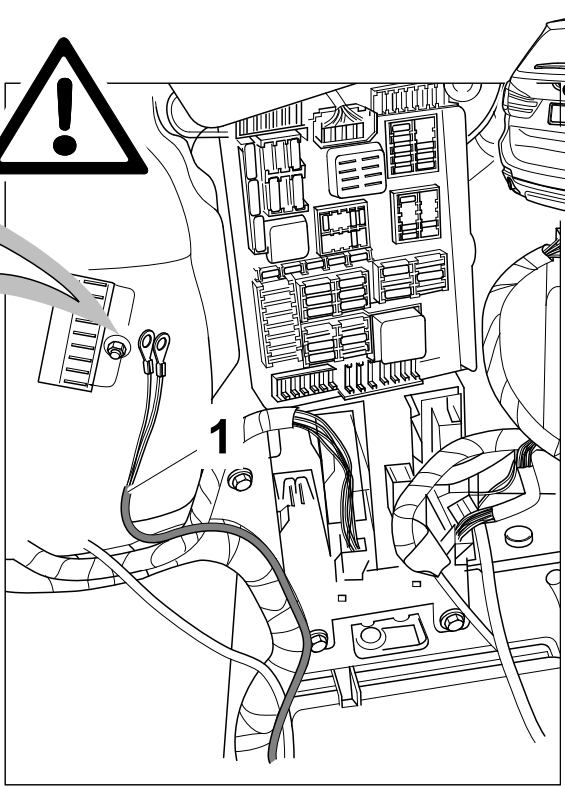
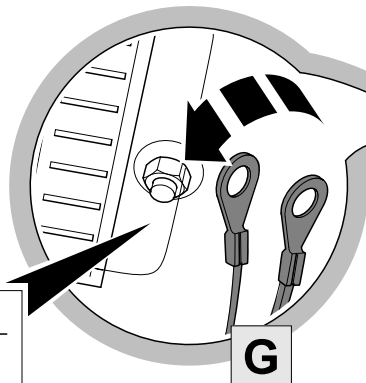


OK

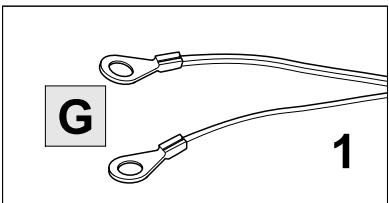
3. III →



13

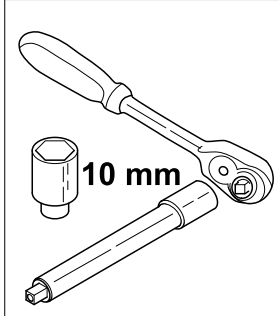


G



G

1



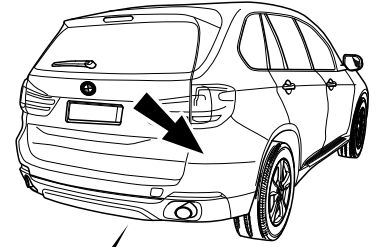
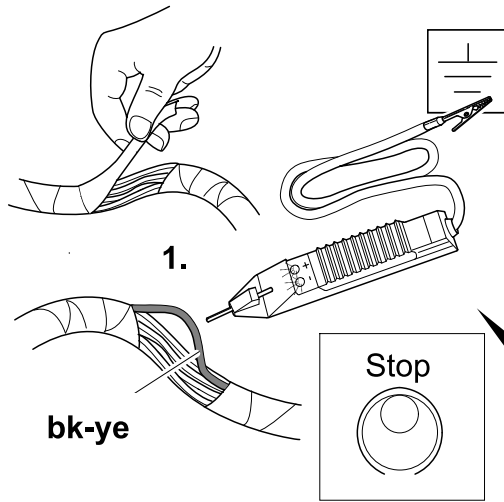
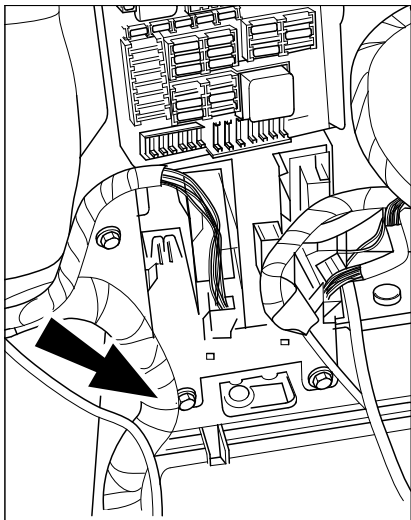
10 mm

14



9

X5



Use Volt Meter to check for brake signal as wire colors can vary between models.



E
bk-ye bk-ye

2.

OK

3.

4.

3

E 1

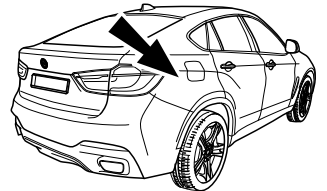
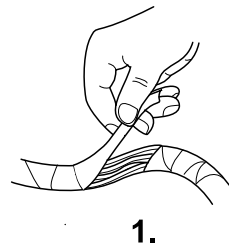
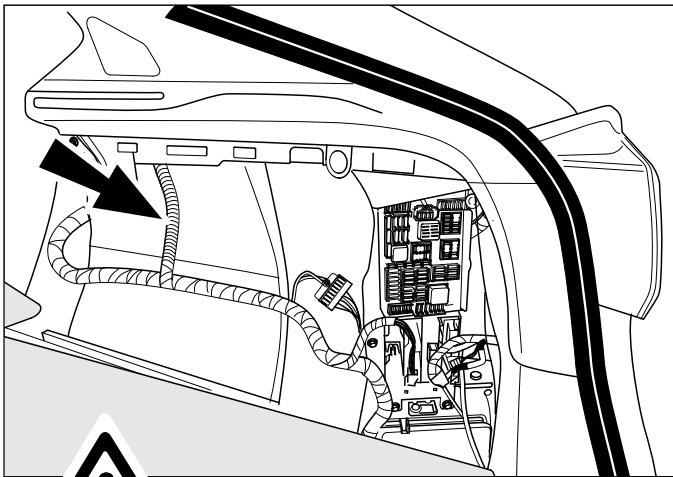
15

Use Volt Meter to check for brake signal as wire colors can vary between models.



9

X6



E
bk-ye bk-ye

2.

OK

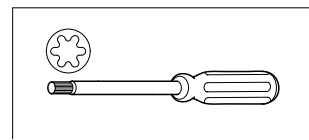
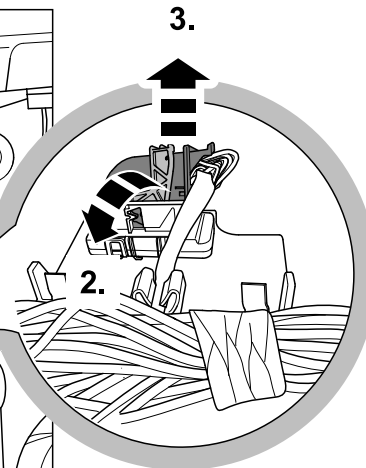
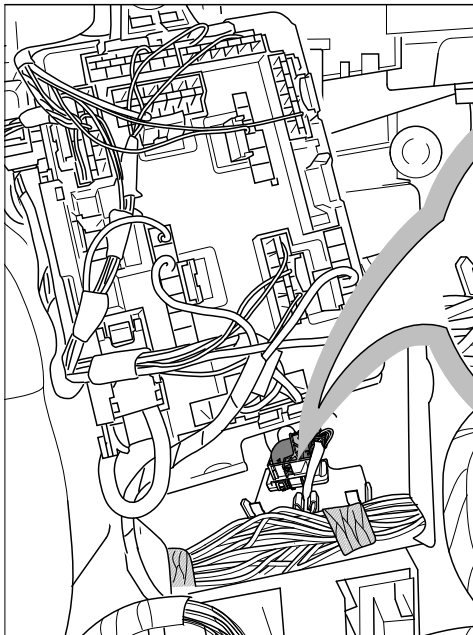
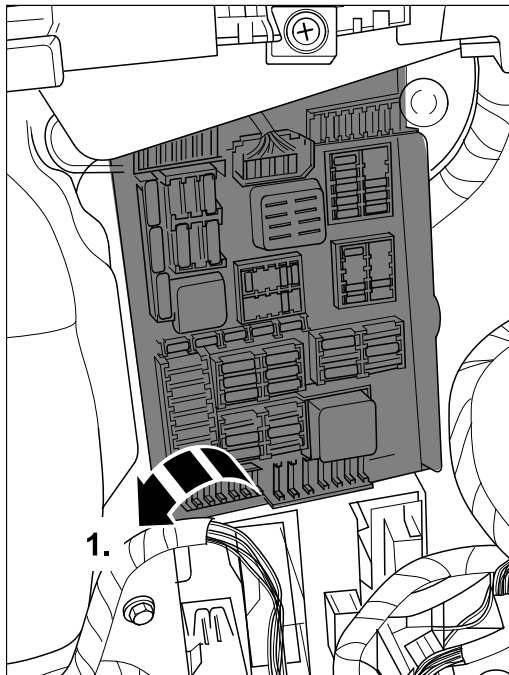
3.

4.

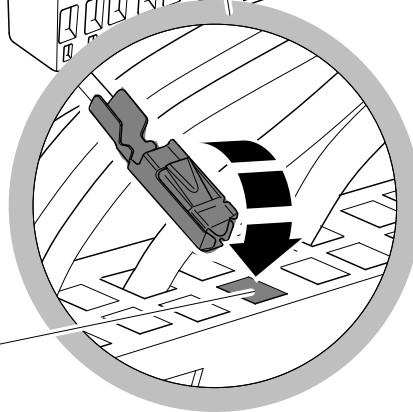
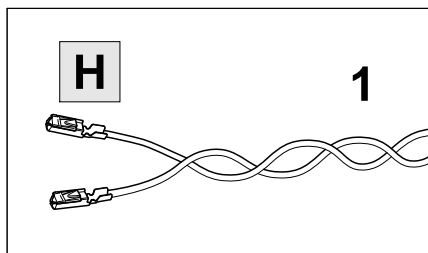
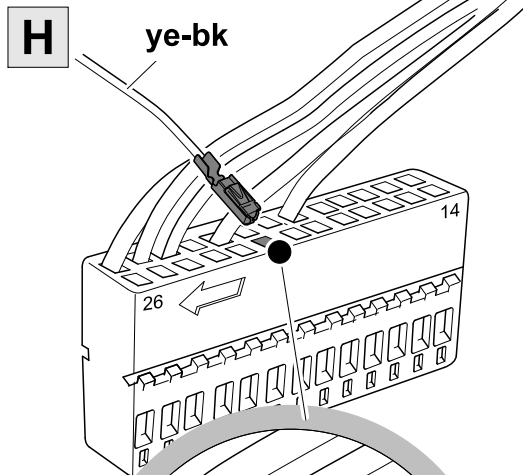
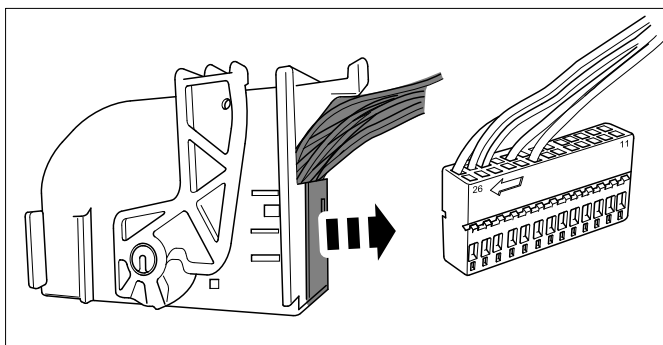
3

E 1

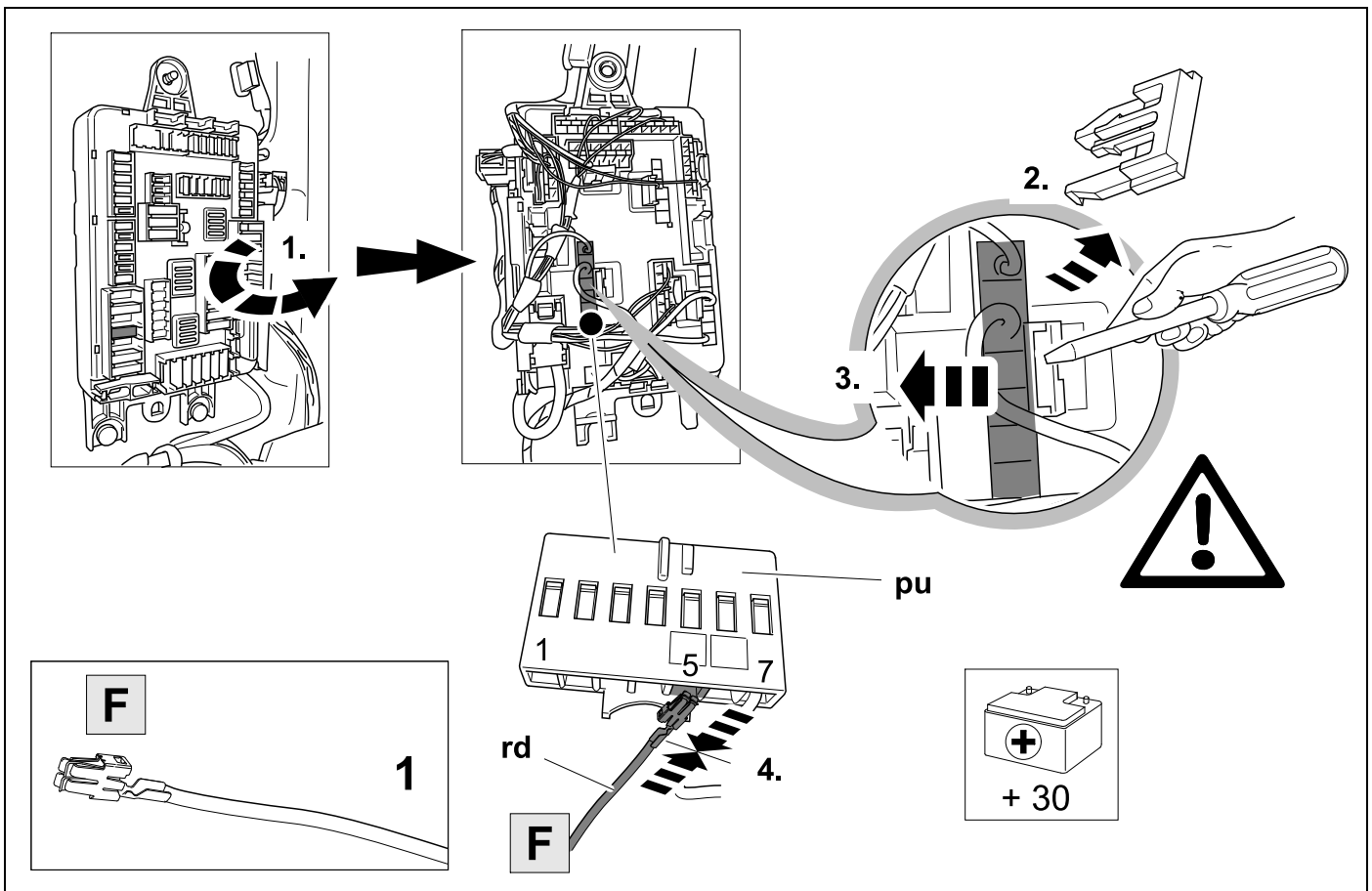
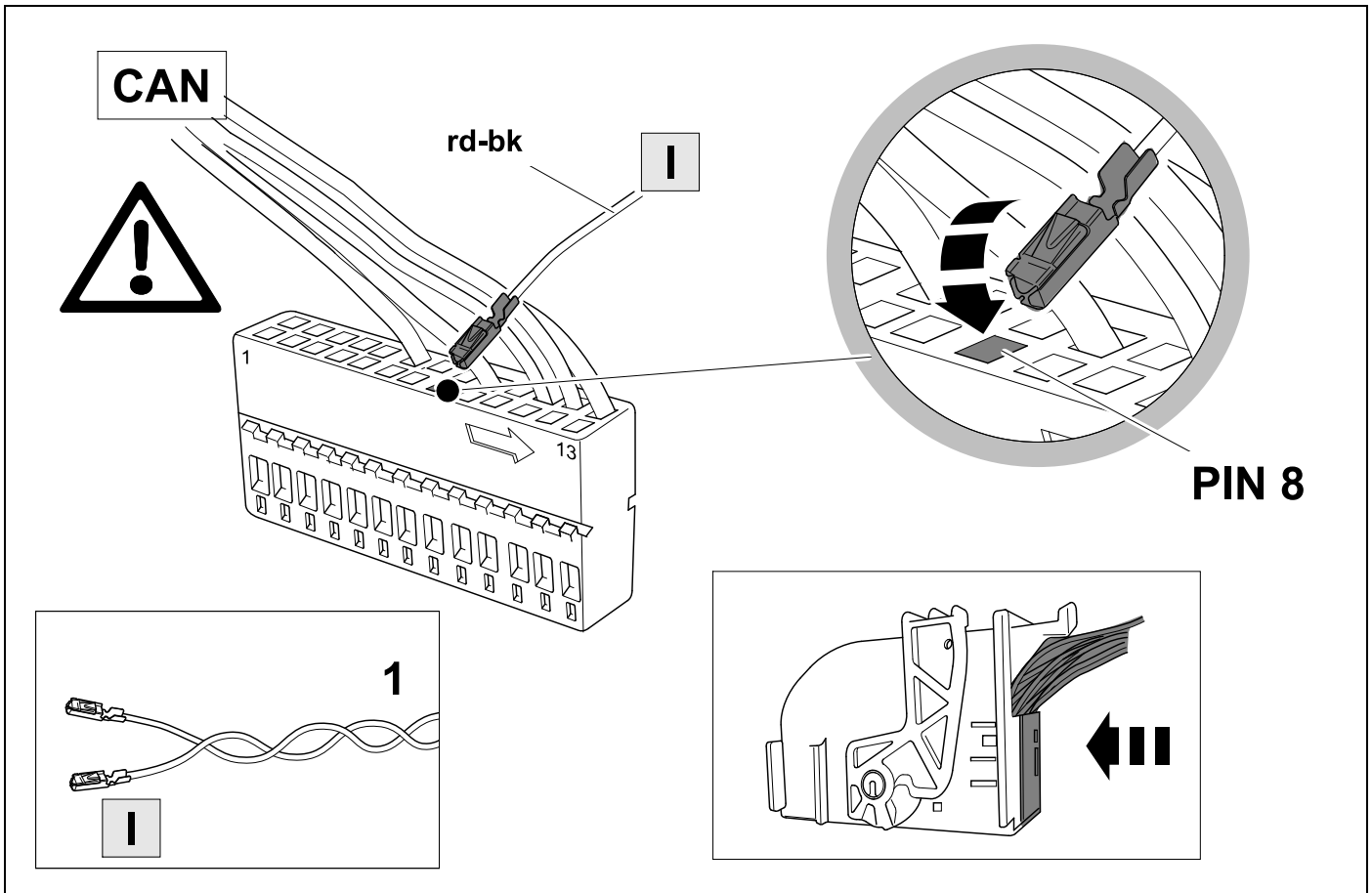
CAN

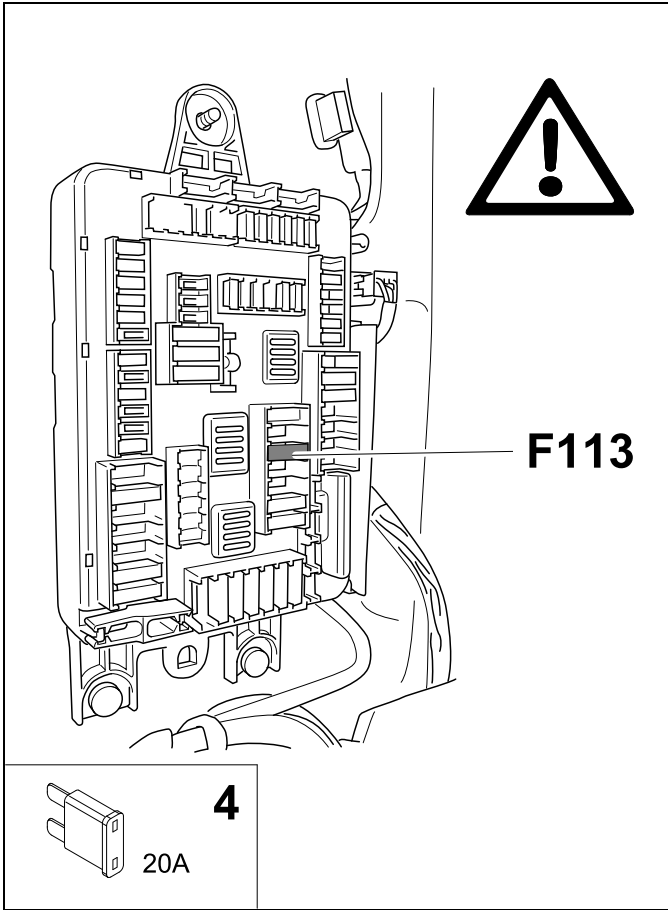


CAN

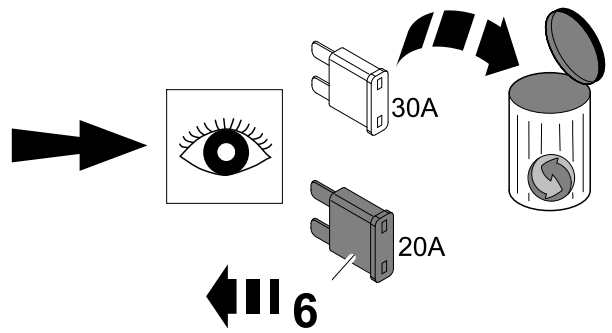


PIN 21

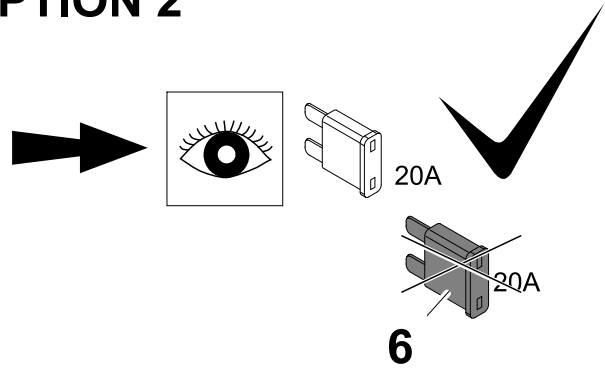




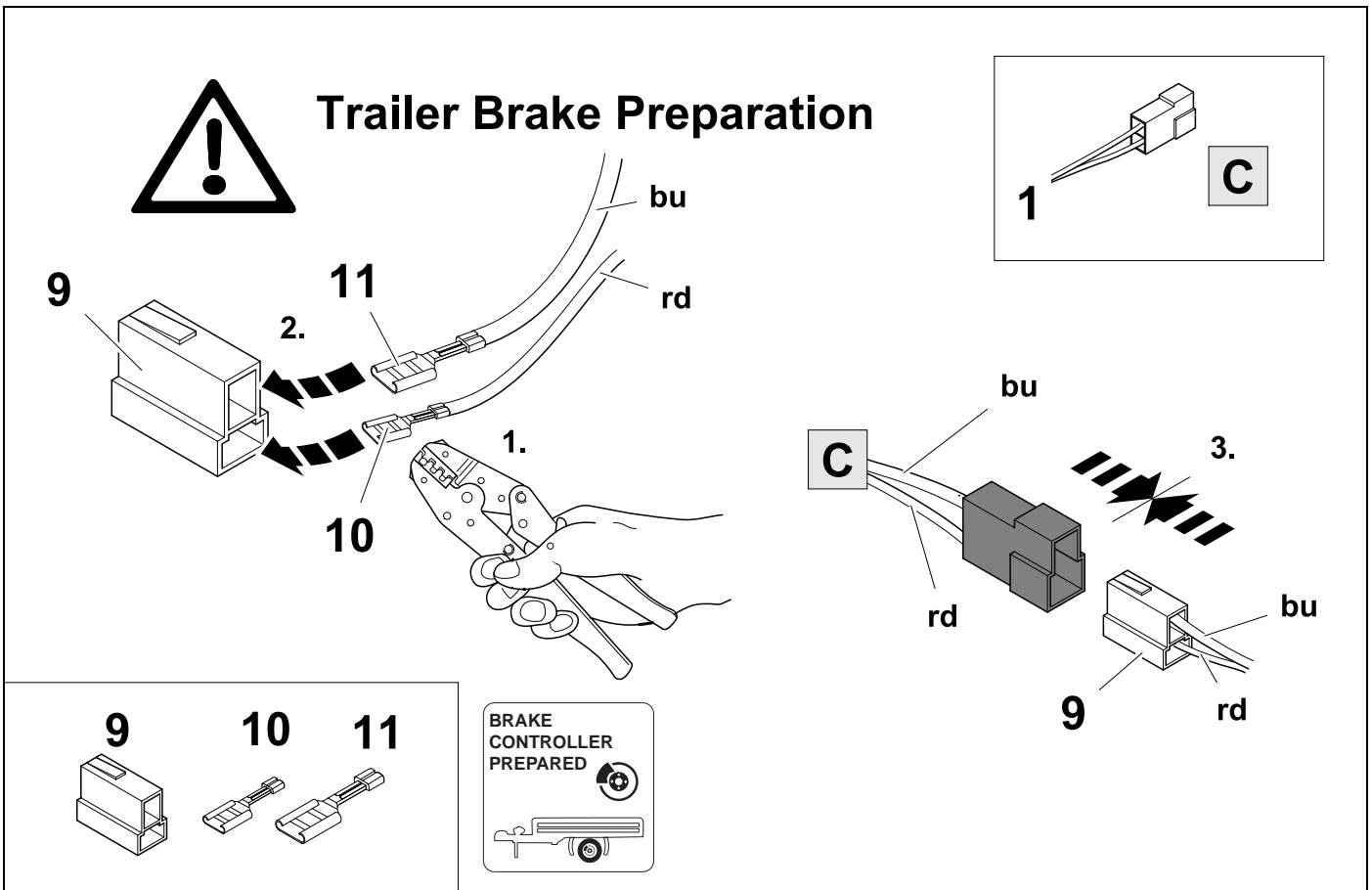
OPTION 1



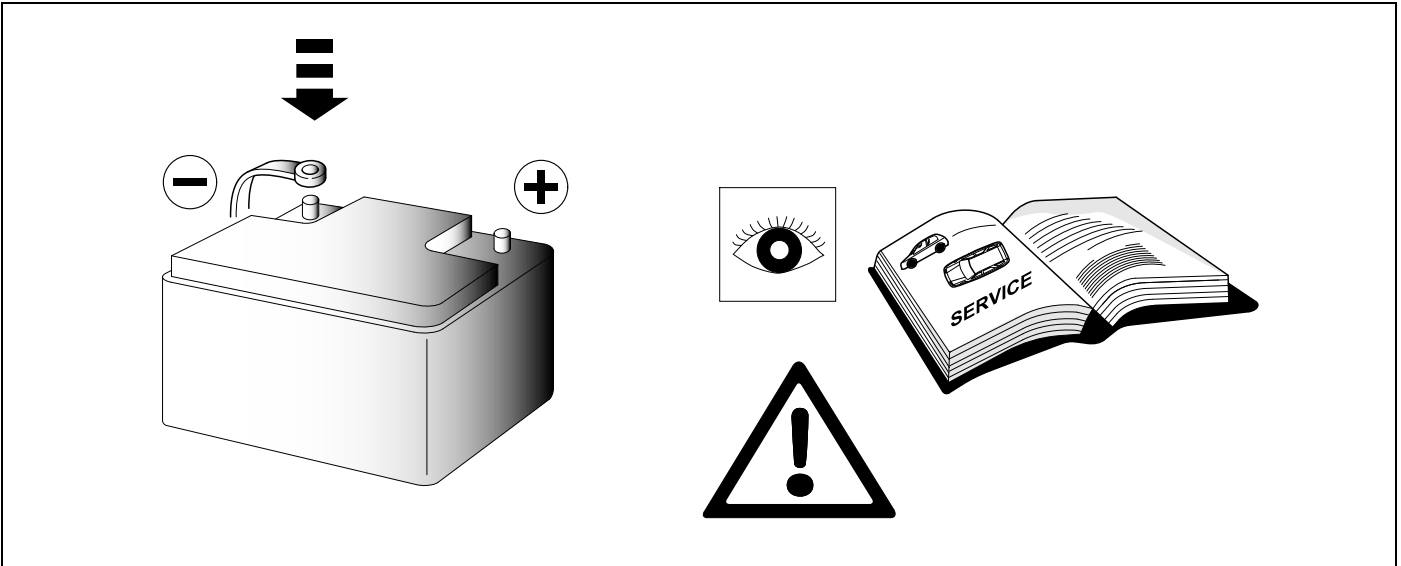
OPTION 2



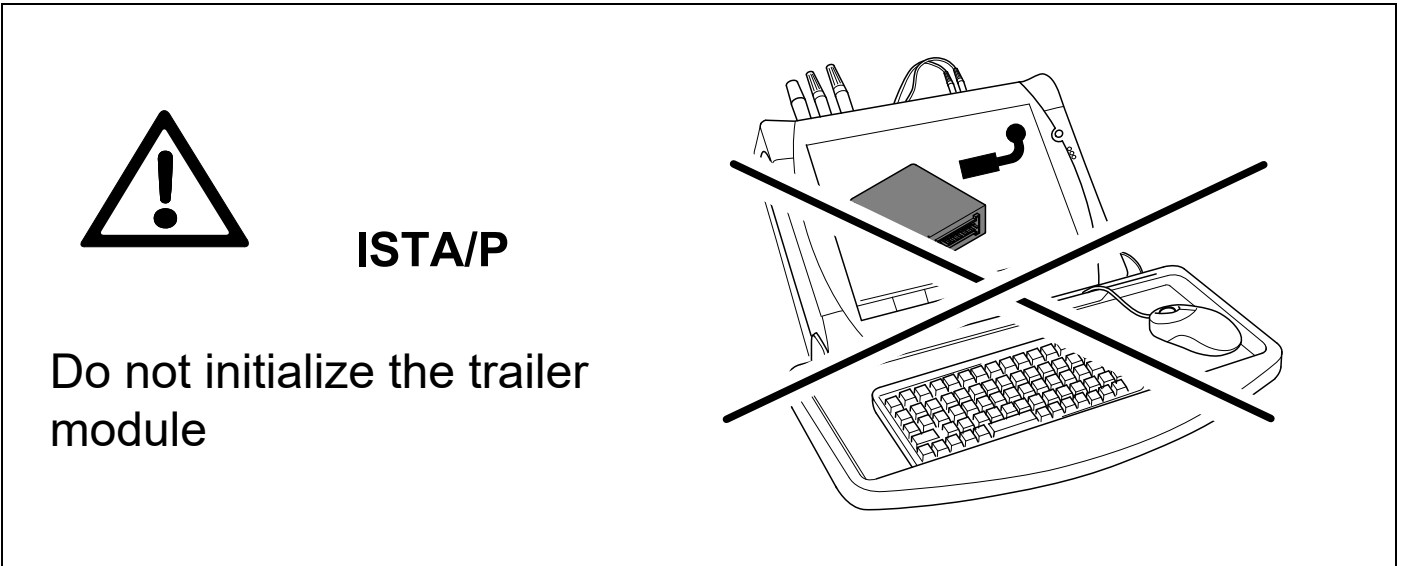
21 OPTIONAL



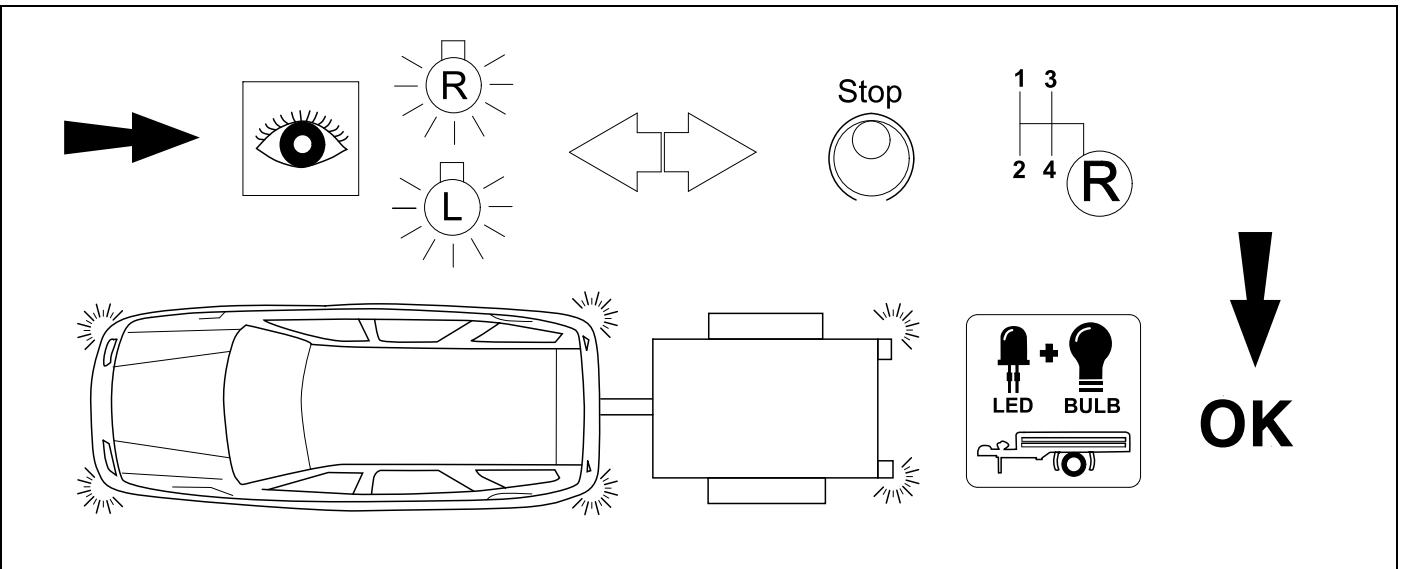
22



23

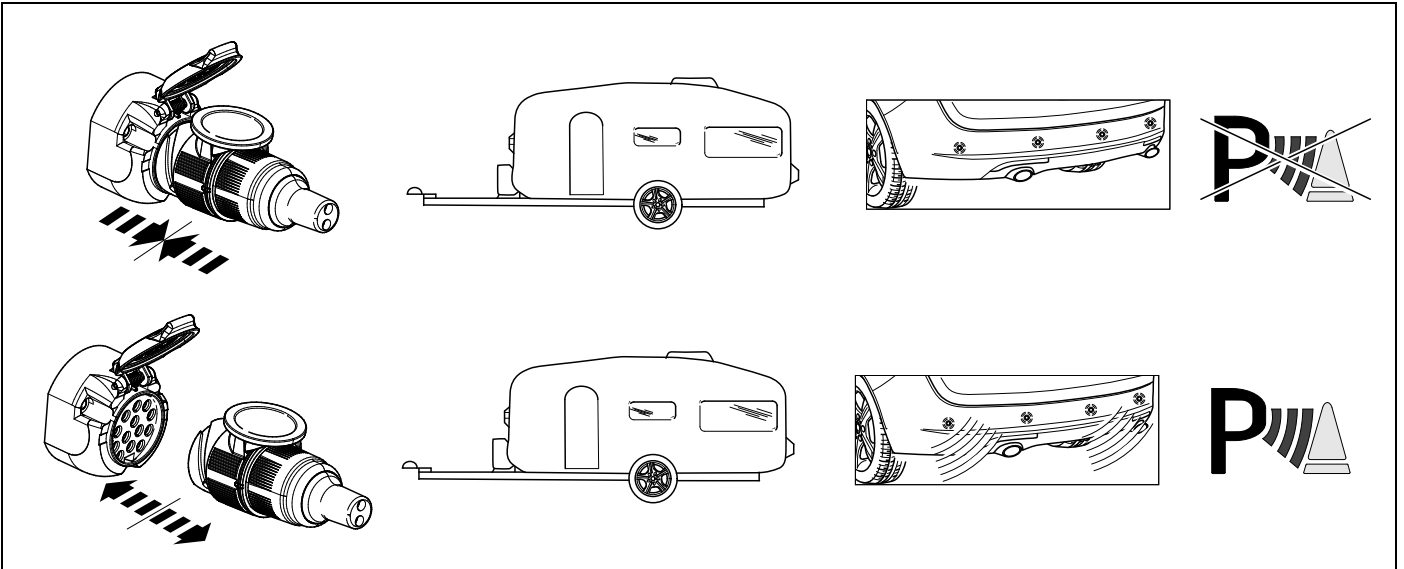


24 CHECK

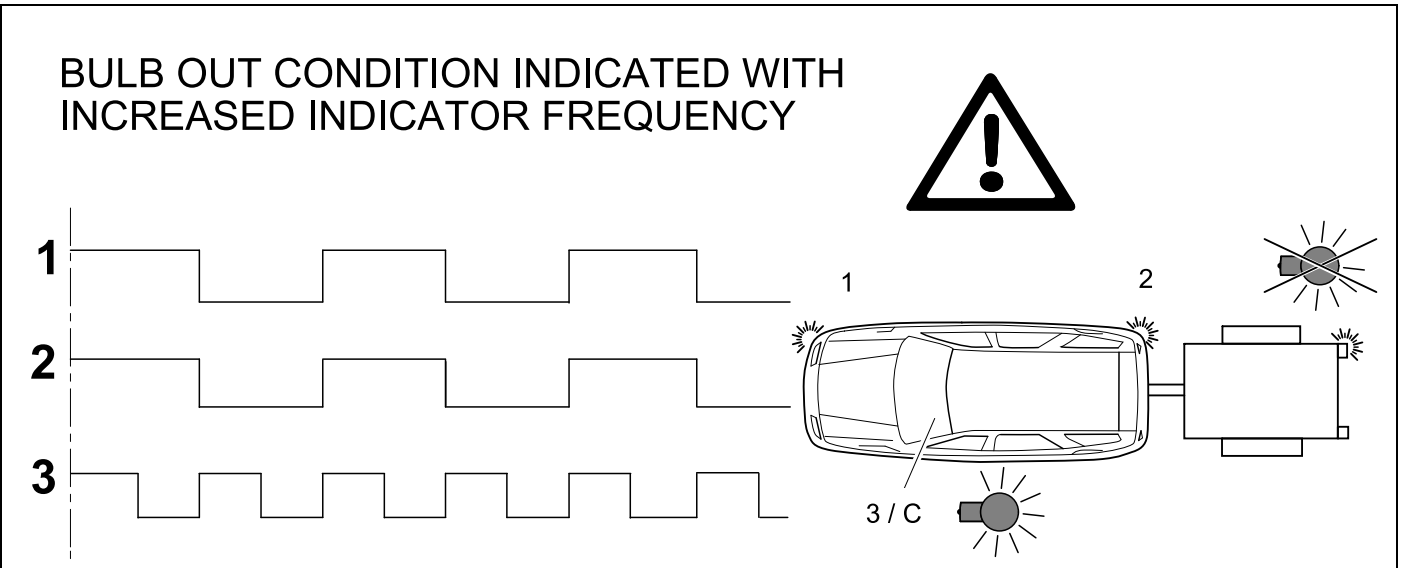


25 CHECK

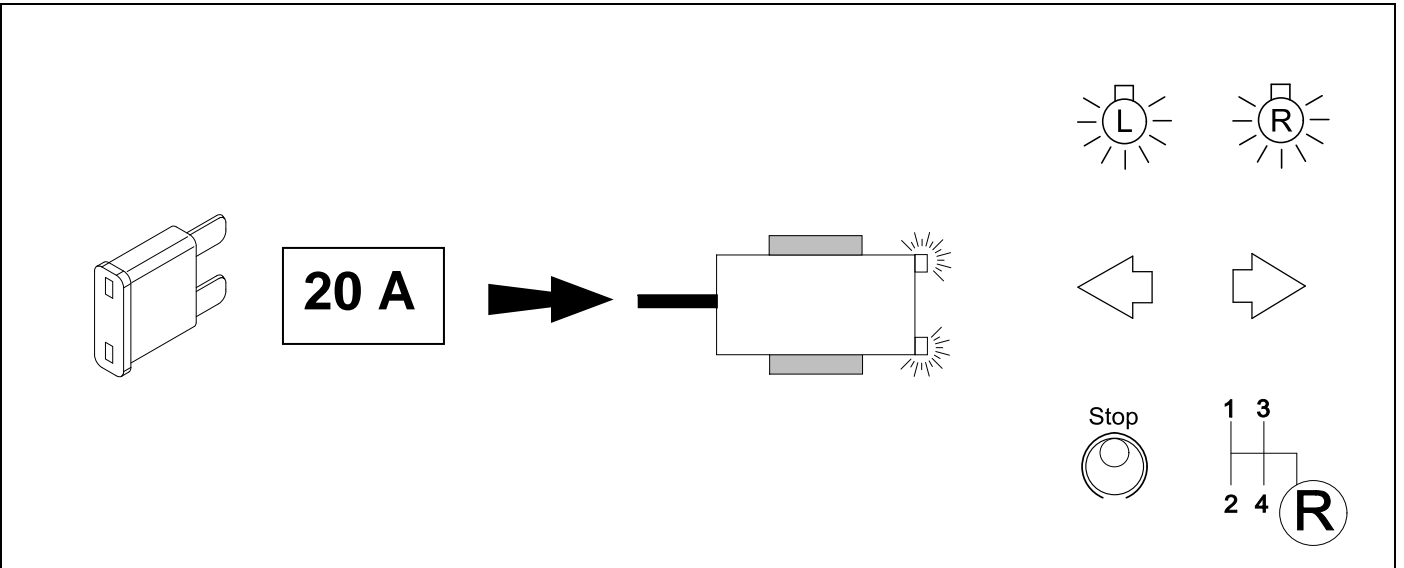
PDC



26 CHECK BULB OUT DETECTION

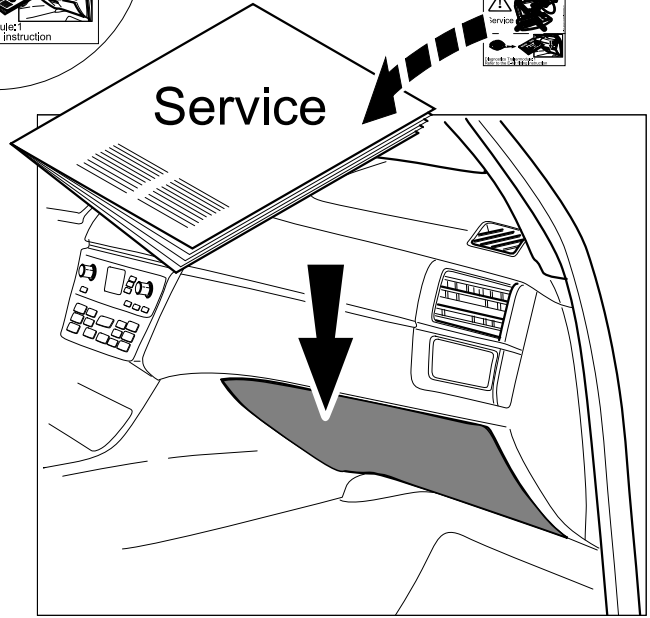
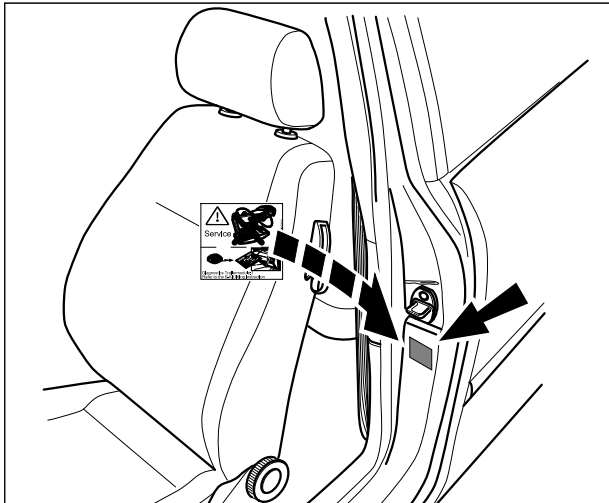
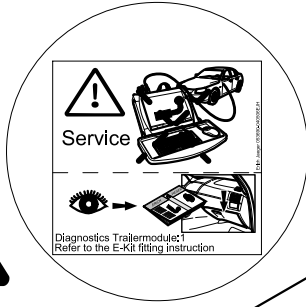


27



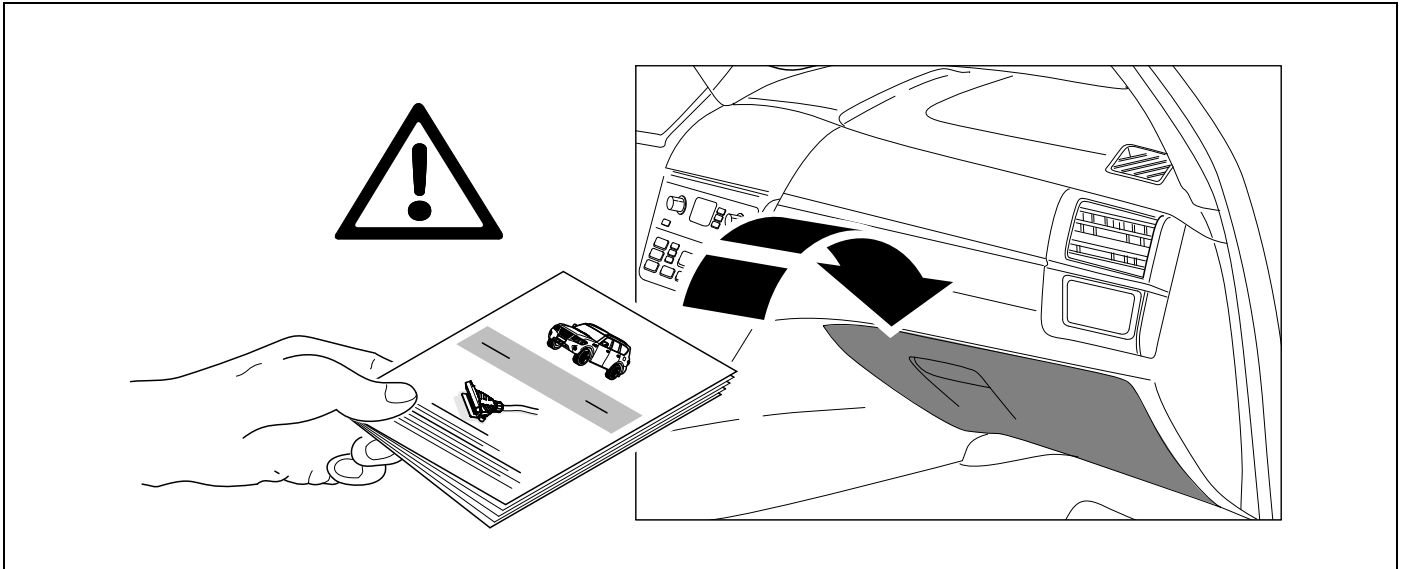


2x 5



Scan this for our full E-Kit catalogue





Subject to change in terms of construction, equipment and colour, and may contain errors.
The information and illustrations are non-binding.