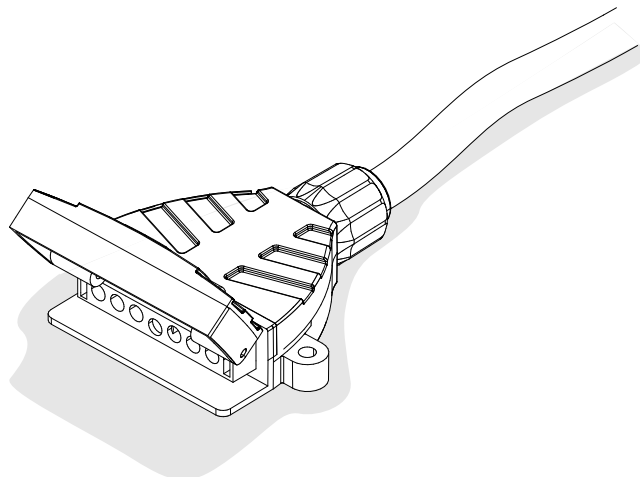


BMW 3er Limousine	E90	03/05 >> 02/12
BMW 3er Touring	E91	09/05 >> 08/12
BMW 3er Coupé	E92	09/06 >> 09/13
BMW 3er Cabrio	E93	03/07 >> 02/14
BMW 1er Limousine	E81/E87	09/04 >> 08/11
BMW 1er Coupé	E82	11/07 >> 08/11
BMW 1er Cabrio	E88	04/08 >> 08/11
BMW X1	E84	10/09 >>

**750010**



## Installation instructions

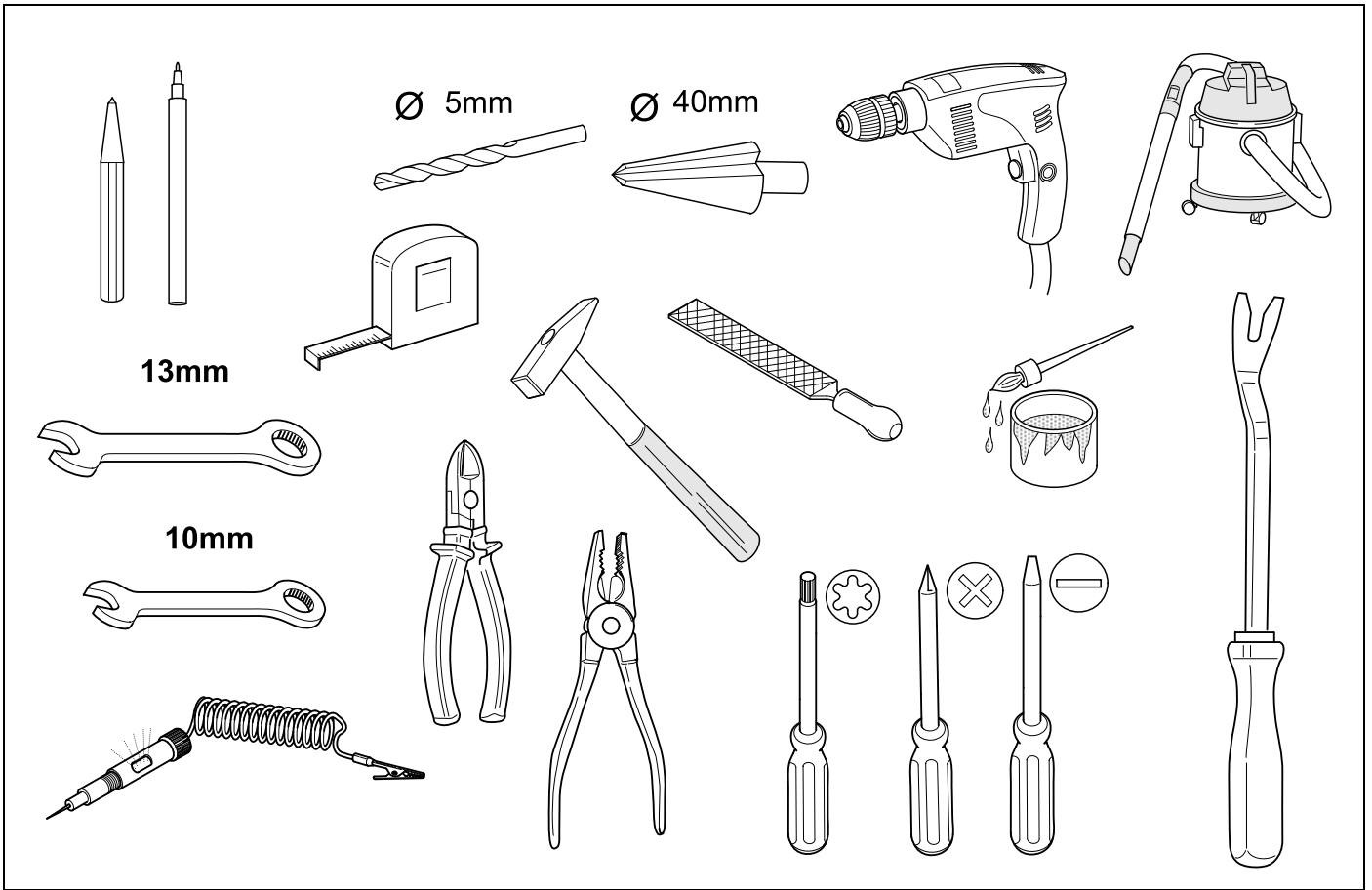
### Reference:

The following information must be reviewed before beginning the assembly:

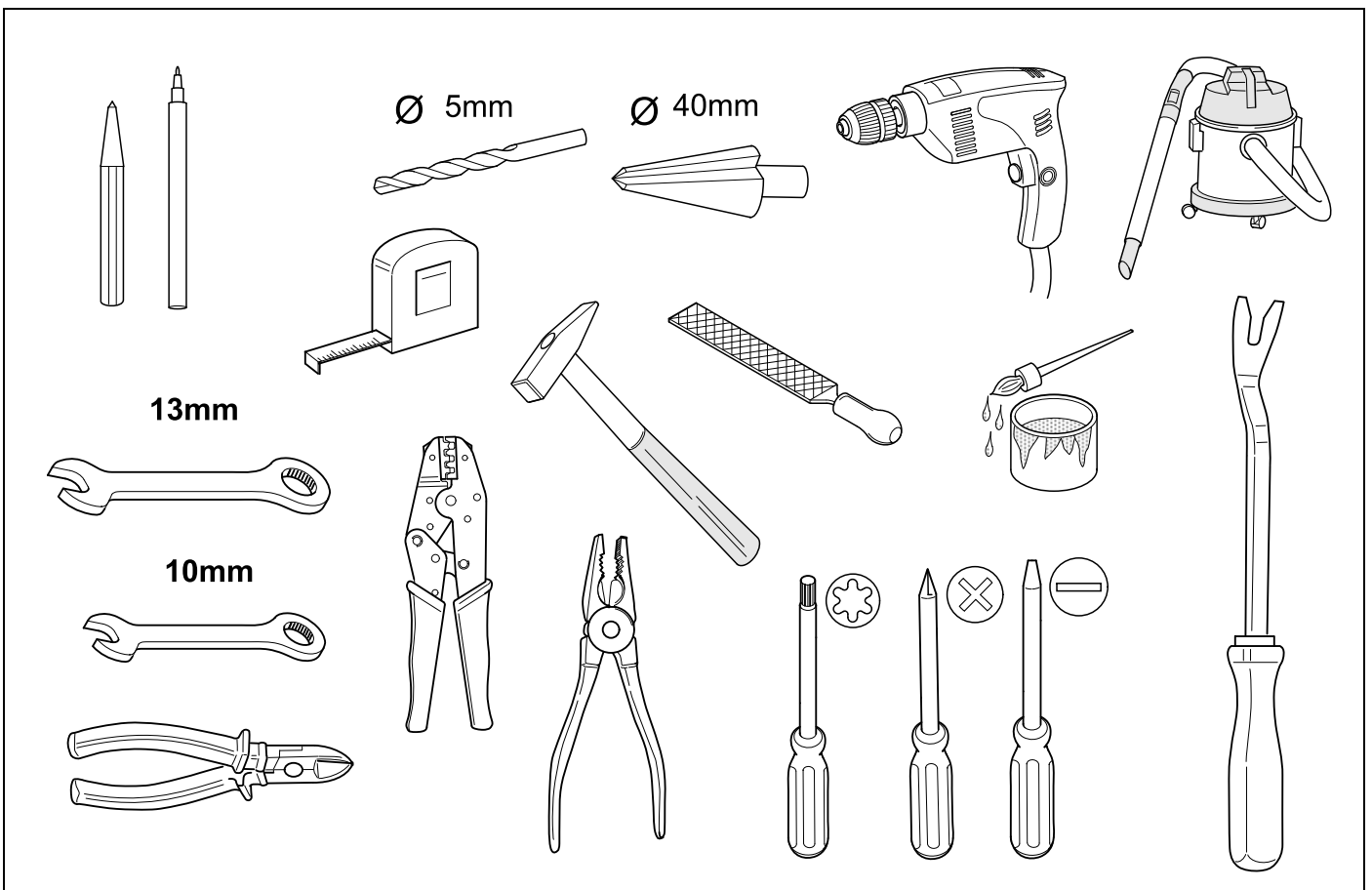


The installation instructions are to be thoroughly read.  
 The installation should be carried out by qualified personnel with the relevant technical knowledge.  
 The vehicle manufacturers' current technical notices and information on retrofitting must be followed.  
 The removal and replacement instructions found in the current repair manuals must be followed.  
 It must be ensured that the vehicle is technically suitable for the installation of a trailer hitch.







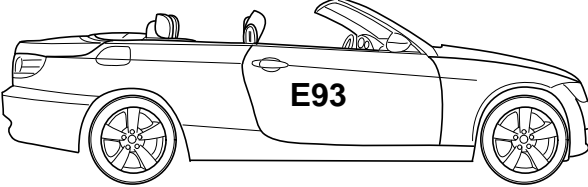


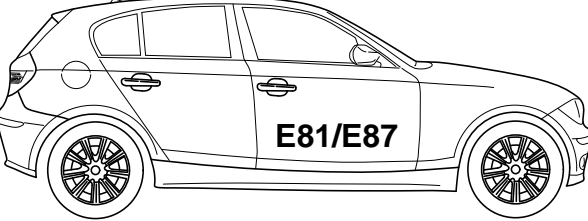


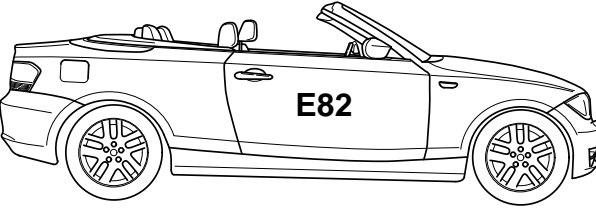


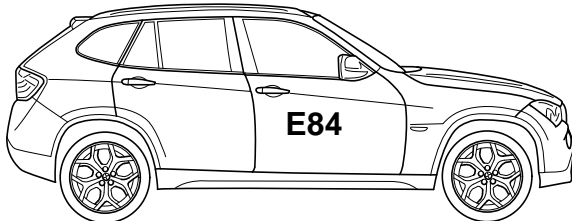


# KIT



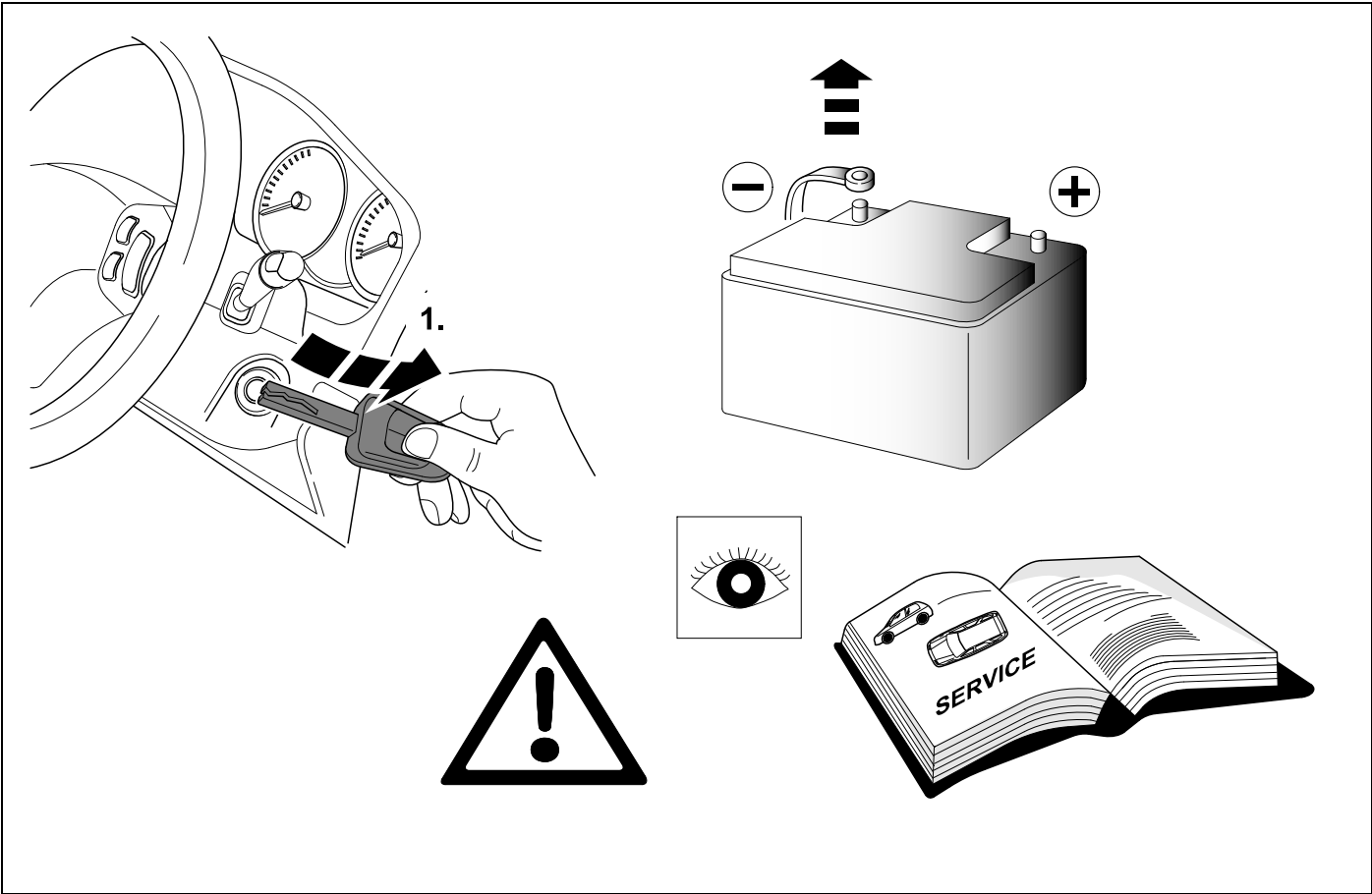
# TOOLS



# OVERVIEW

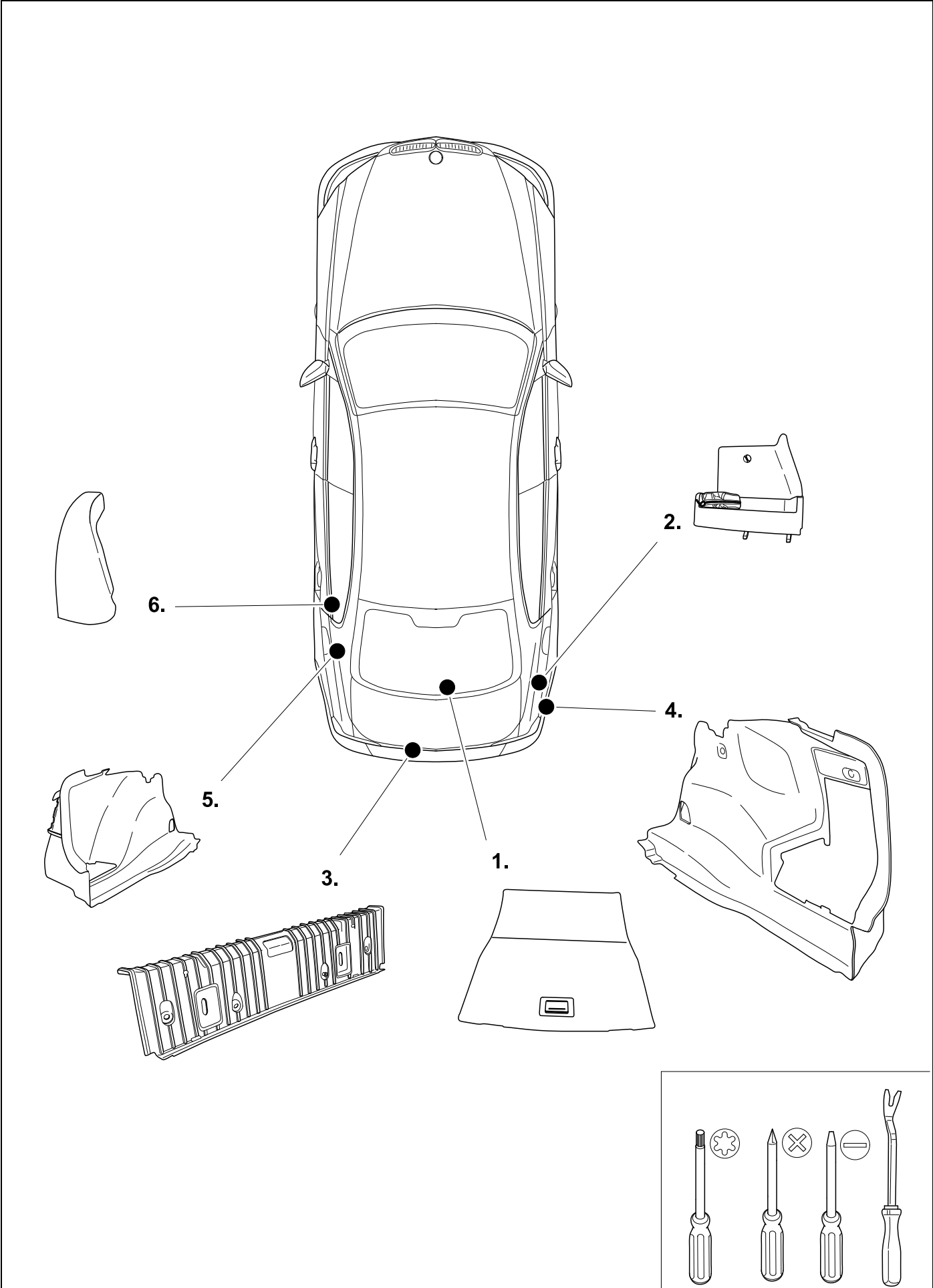
	 	<table border="1"><tr><td>1</td><td>-</td><td>7</td></tr><tr><td>38</td><td>-</td><td>59</td></tr></table>	1	-	7	38	-	59			
1	-	7									
38	-	59									
	 	<table border="1"><tr><td>1</td><td>-</td><td>13</td></tr><tr><td>8</td><td>-</td><td>13</td></tr><tr><td>38</td><td>-</td><td>59</td></tr></table>	1	-	13	8	-	13	38	-	59
1	-	13									
8	-	13									
38	-	59									
	 	<table border="1"><tr><td>1</td><td>-</td><td>19</td></tr><tr><td>14</td><td>-</td><td>19</td></tr><tr><td>38</td><td>-</td><td>59</td></tr></table>	1	-	19	14	-	19	38	-	59
1	-	19									
14	-	19									
38	-	59									
	 	<table border="1"><tr><td>1</td><td>-</td><td>25</td></tr><tr><td>20</td><td>-</td><td>25</td></tr><tr><td>38</td><td>-</td><td>59</td></tr></table>	1	-	25	20	-	25	38	-	59
1	-	25									
20	-	25									
38	-	59									
	 	<table border="1"><tr><td>1</td><td>-</td><td>31</td></tr><tr><td>26</td><td>-</td><td>31</td></tr><tr><td>38</td><td>-</td><td>59</td></tr></table>	1	-	31	26	-	31	38	-	59
1	-	31									
26	-	31									
38	-	59									
	 	<table border="1"><tr><td>1</td><td>-</td><td>59</td></tr><tr><td>32</td><td>-</td><td>59</td></tr></table>	1	-	59	32	-	59			
1	-	59									
32	-	59									

1



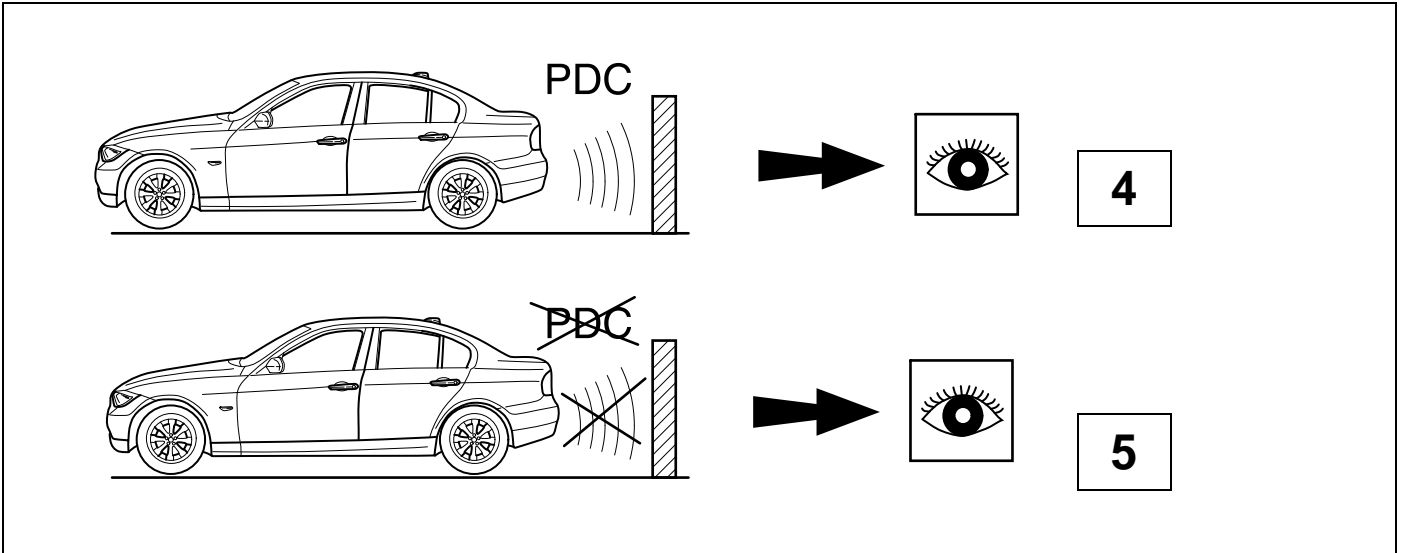
# 2 REMOVE

E90 / E92



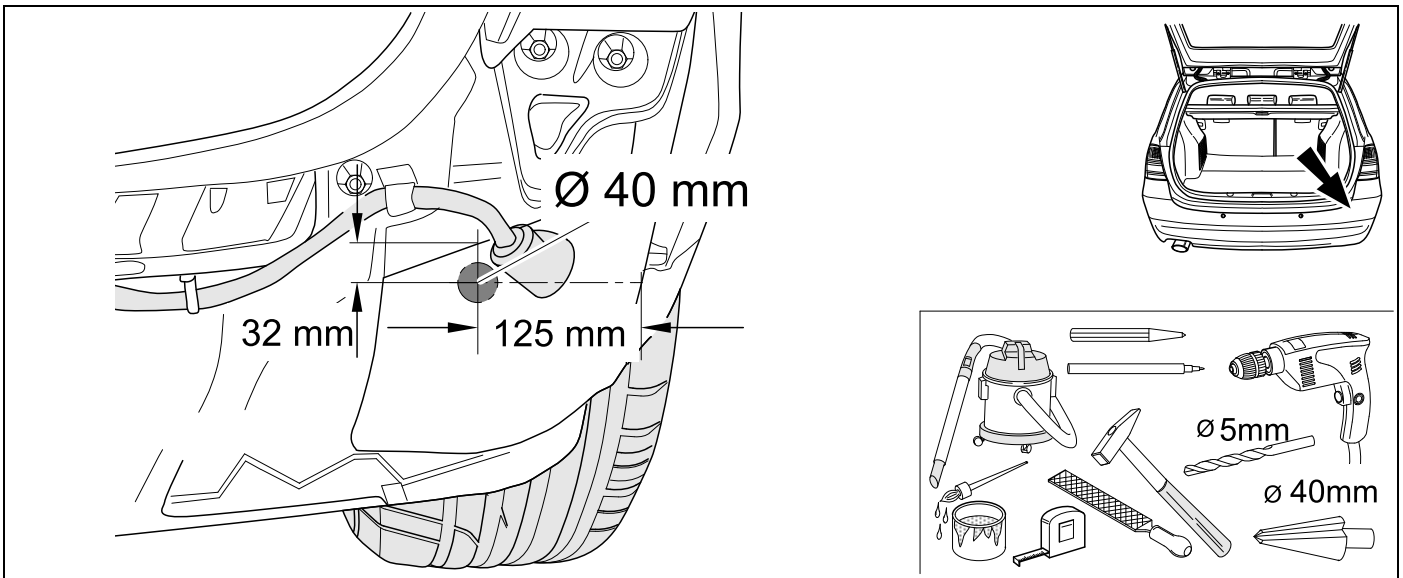
3

E90 / E92



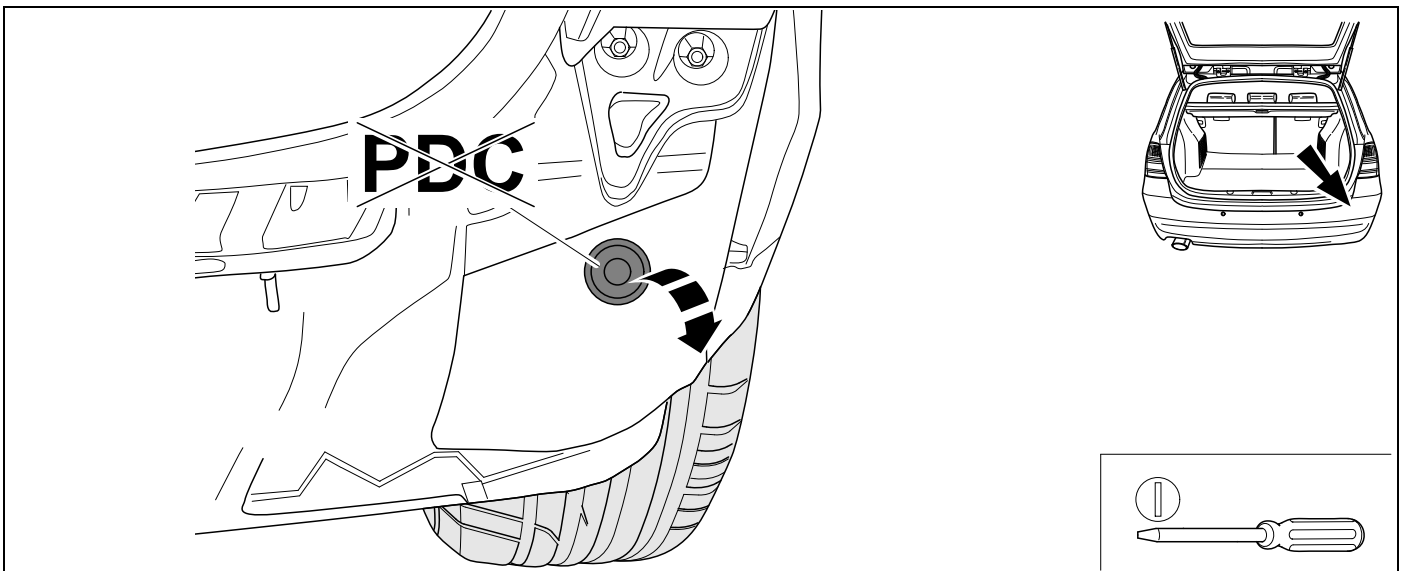
4

E90 / E92



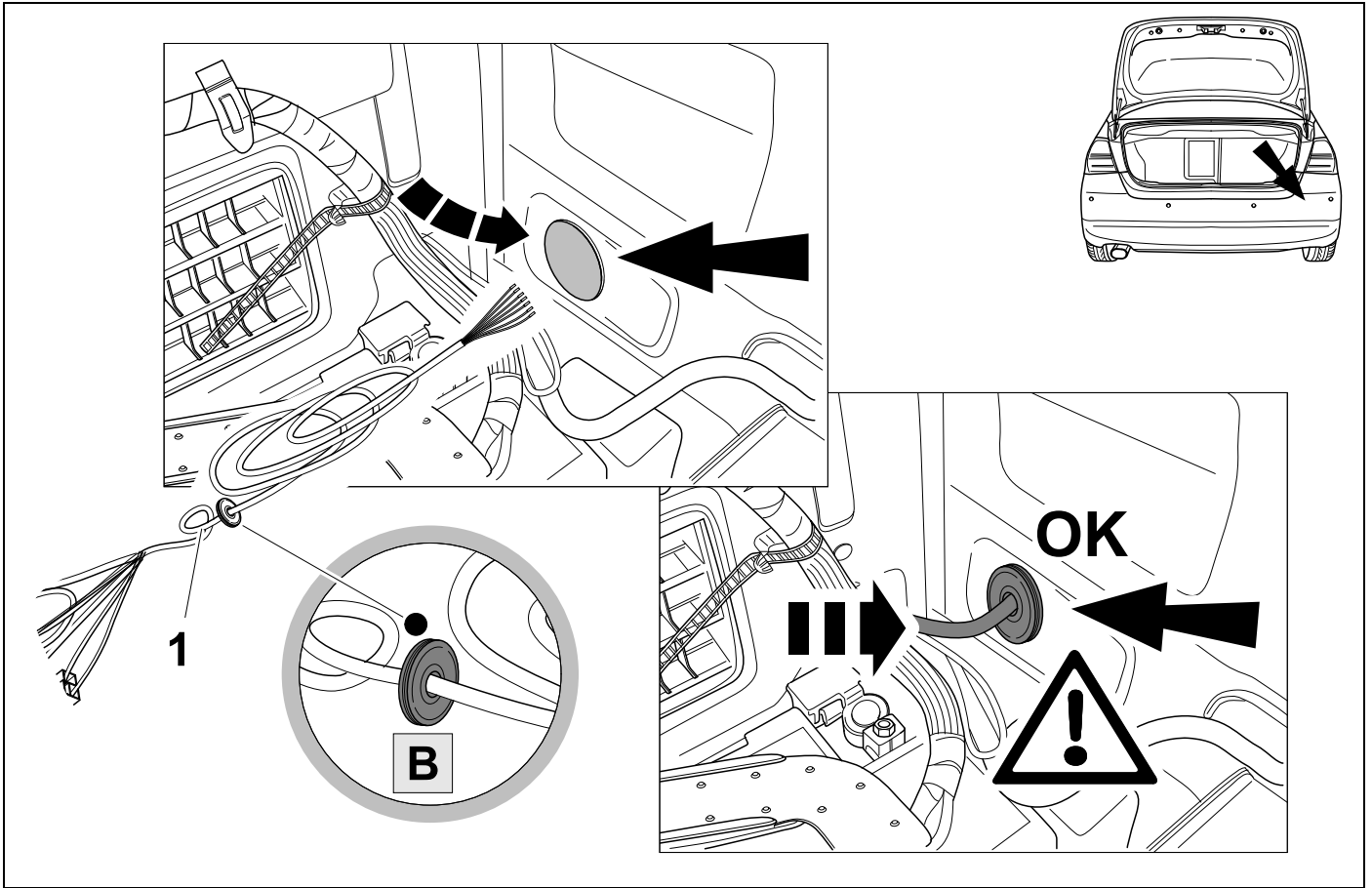
5

E90 / E92



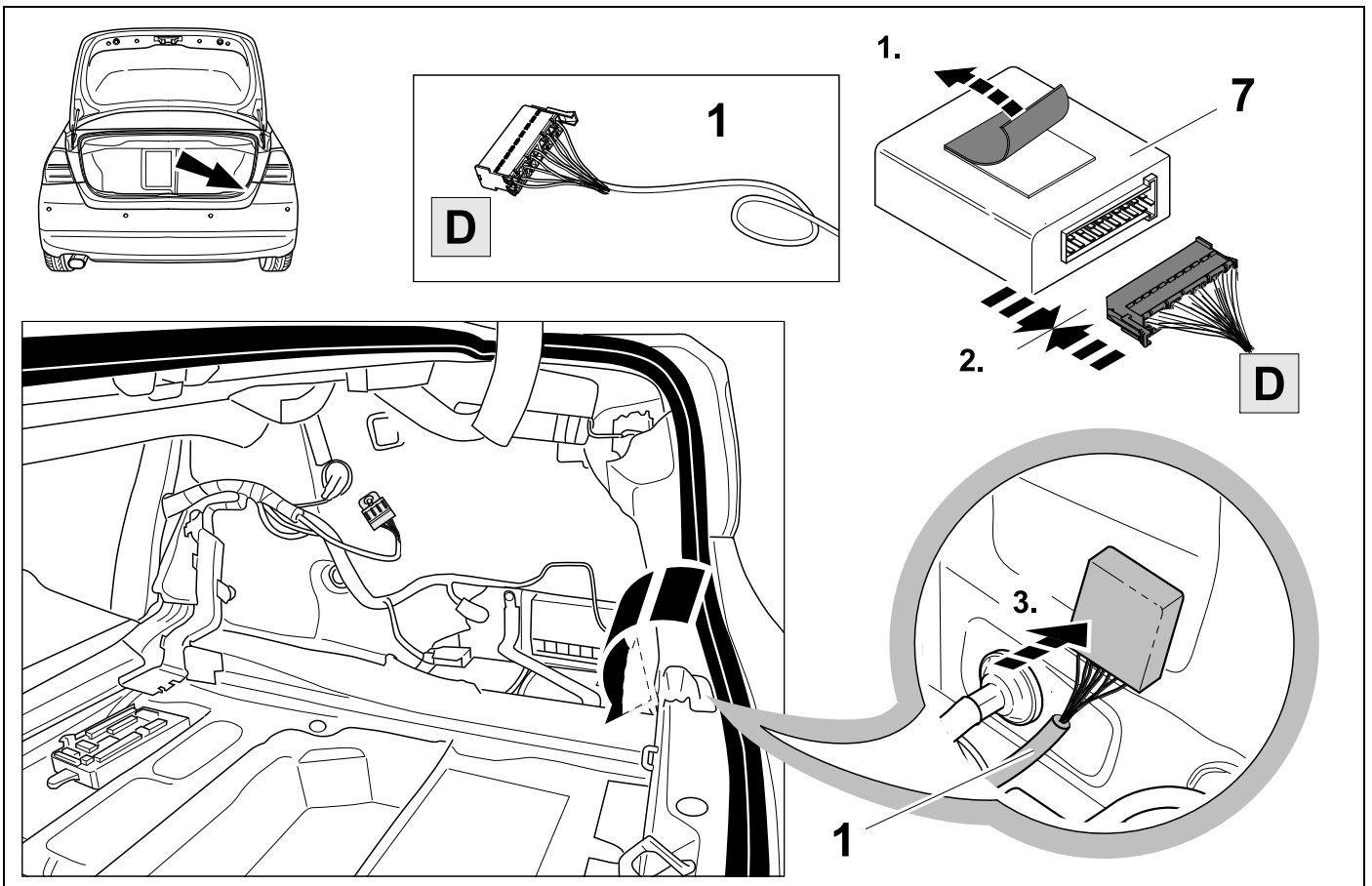
6

E90 / E92



7

E90 / E92

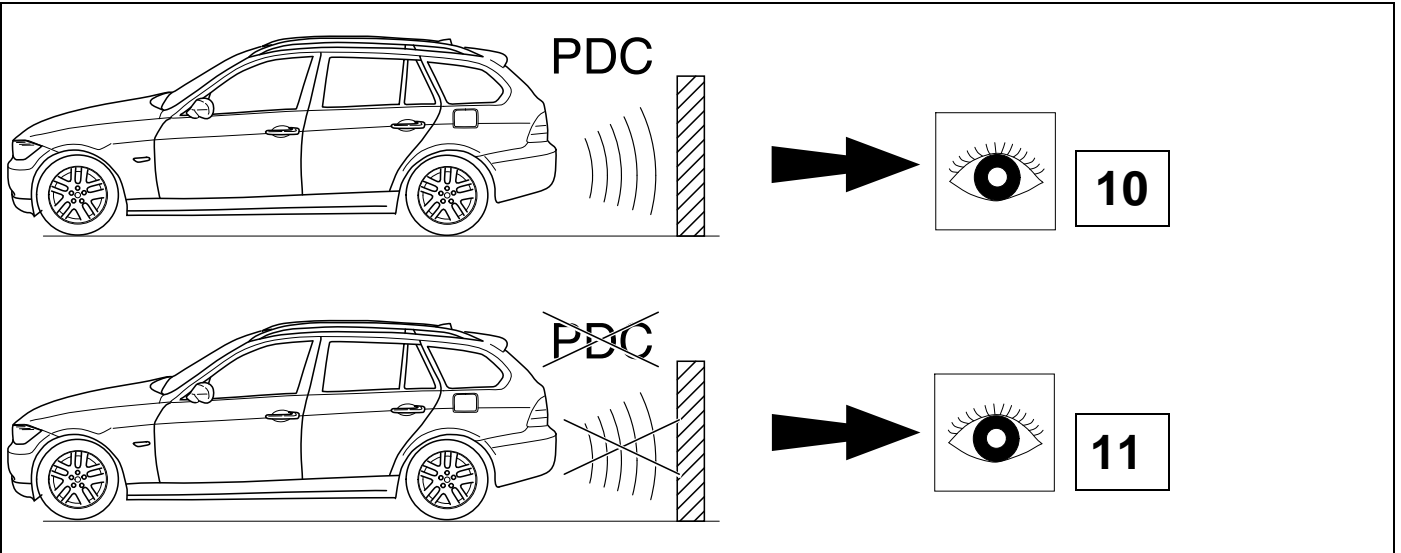






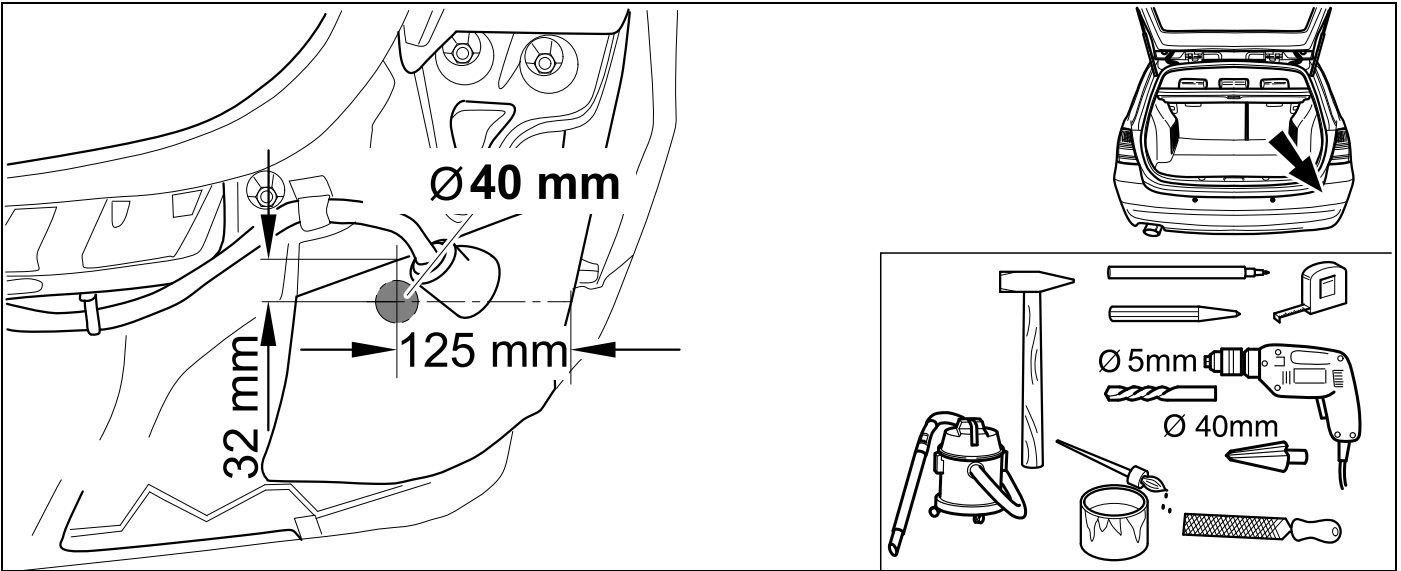
9

E91



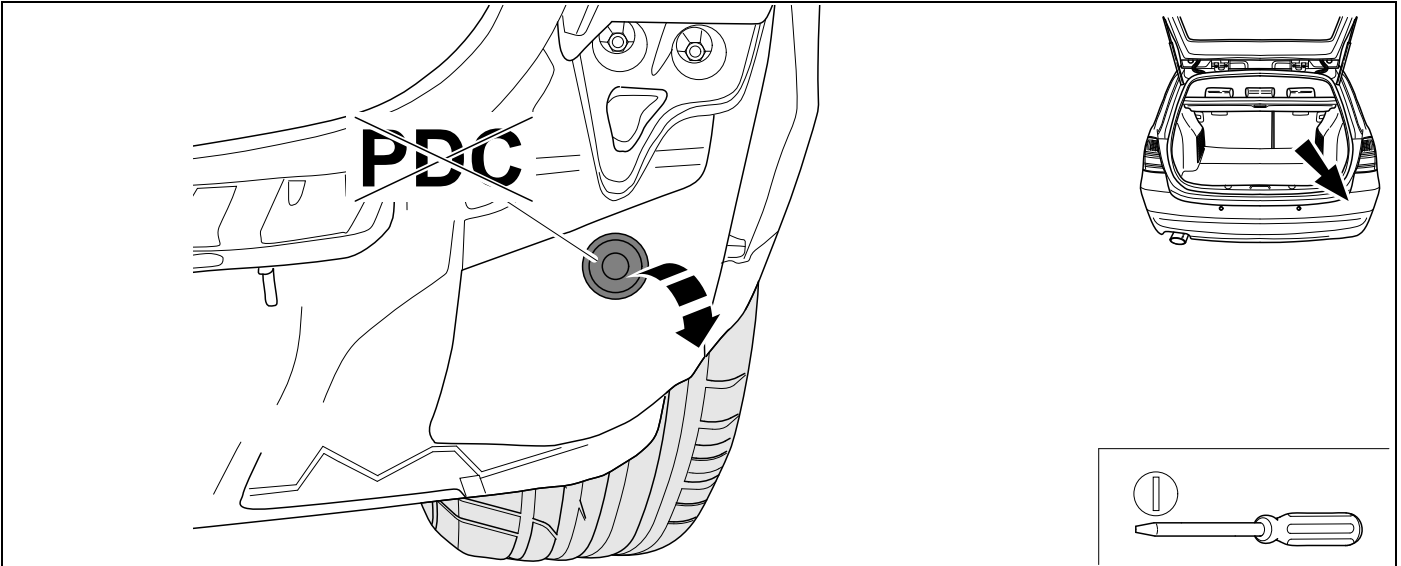
10

E91



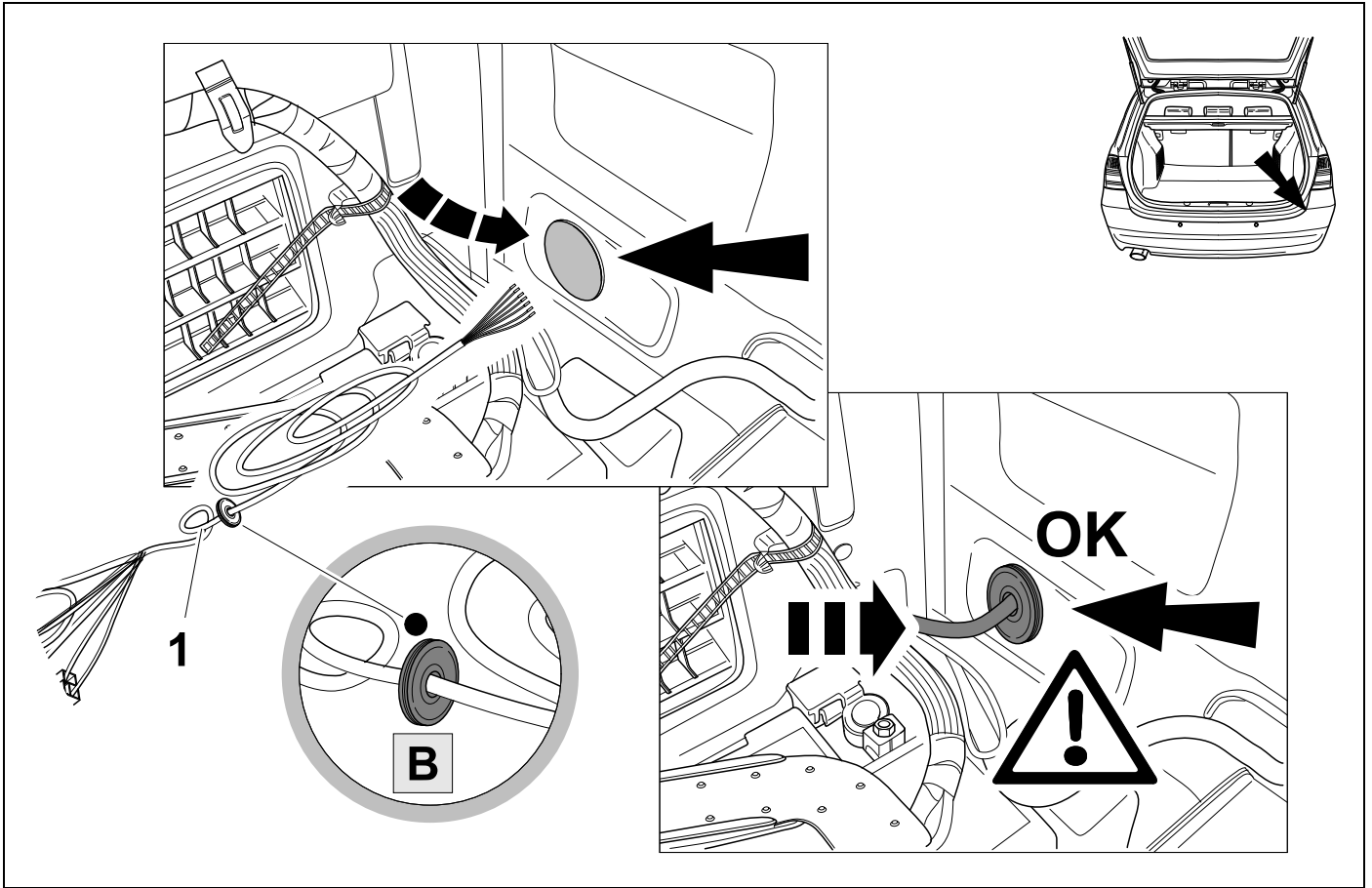
11

E91



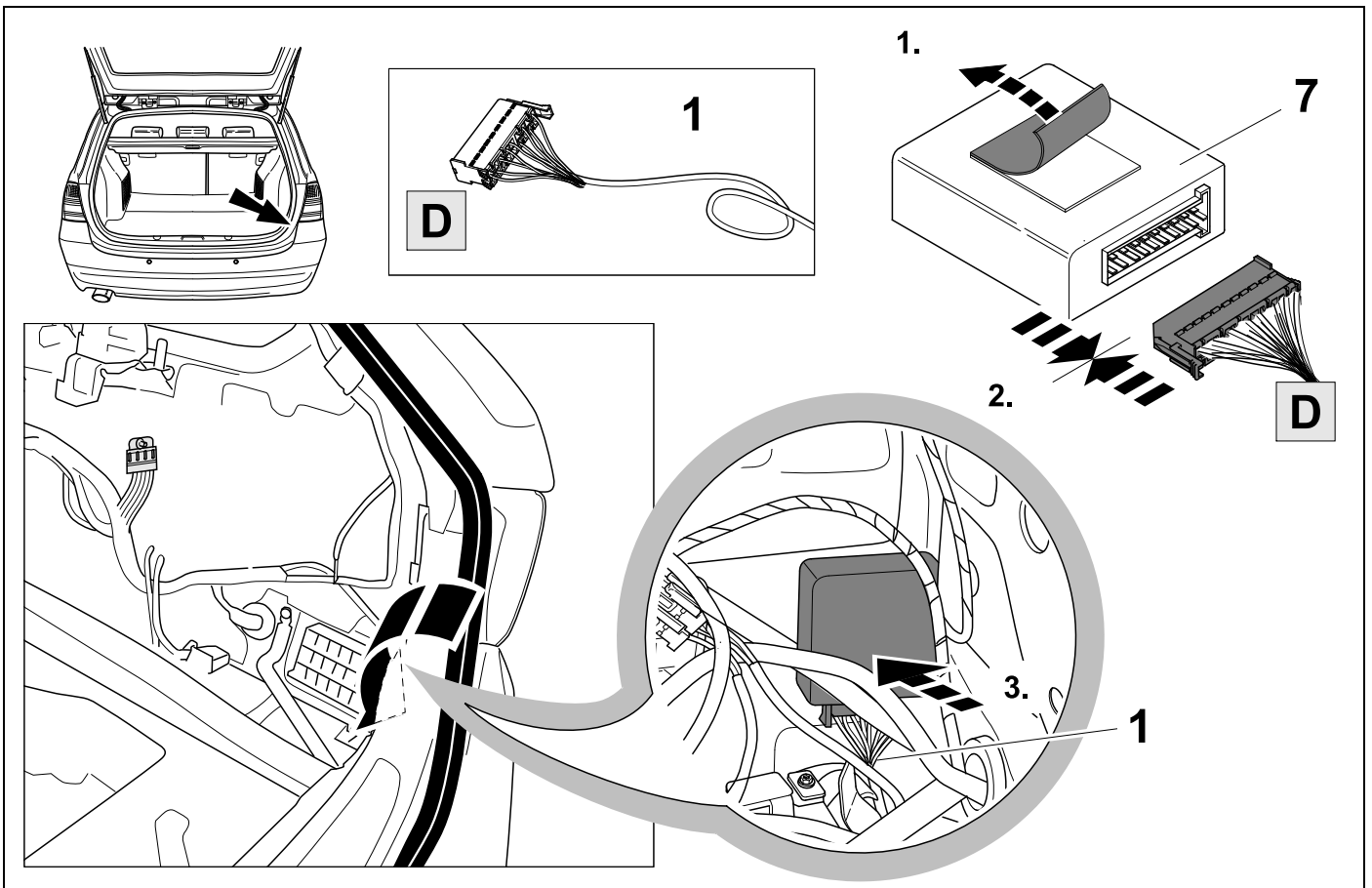
12

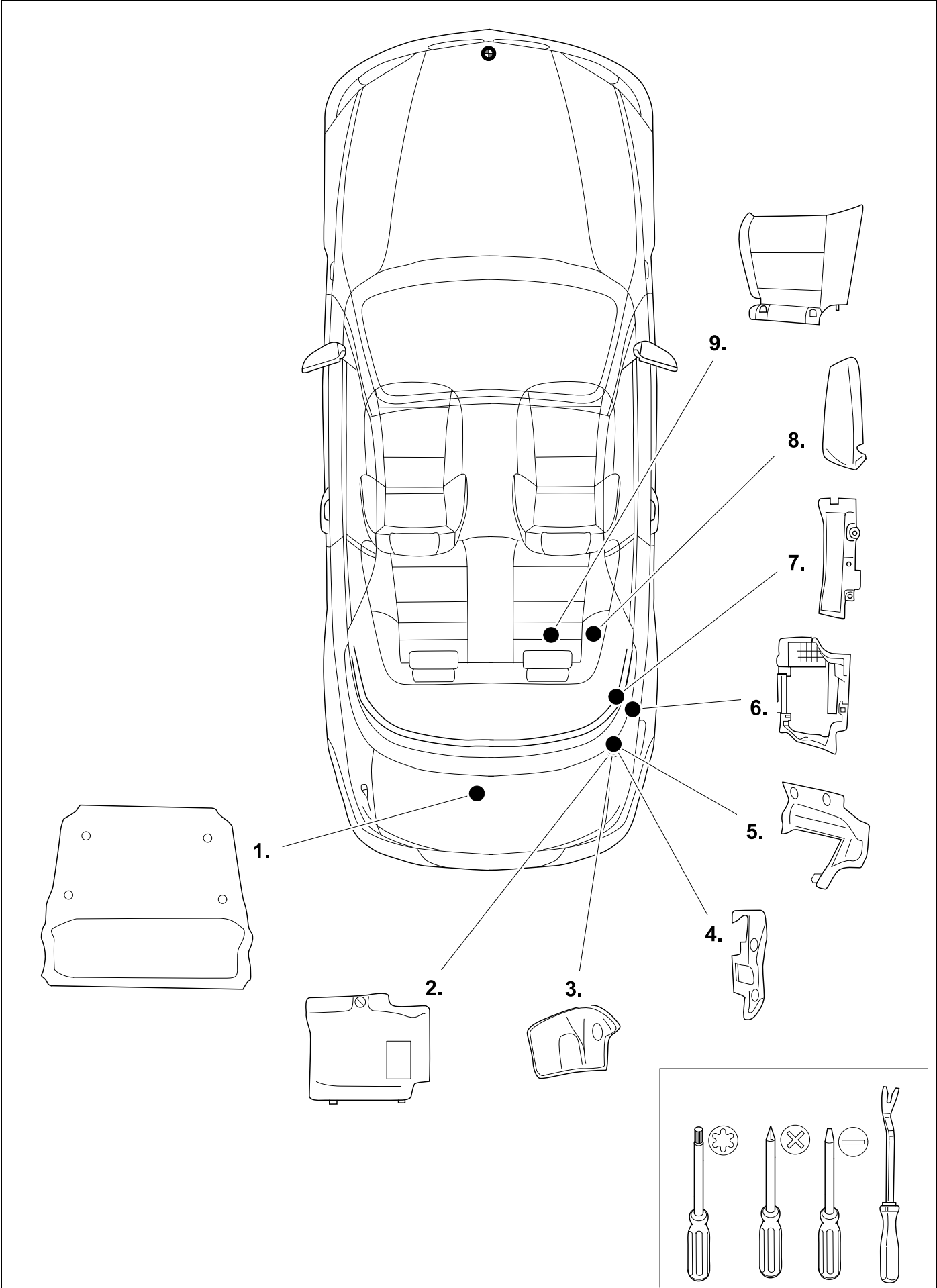
E91



13

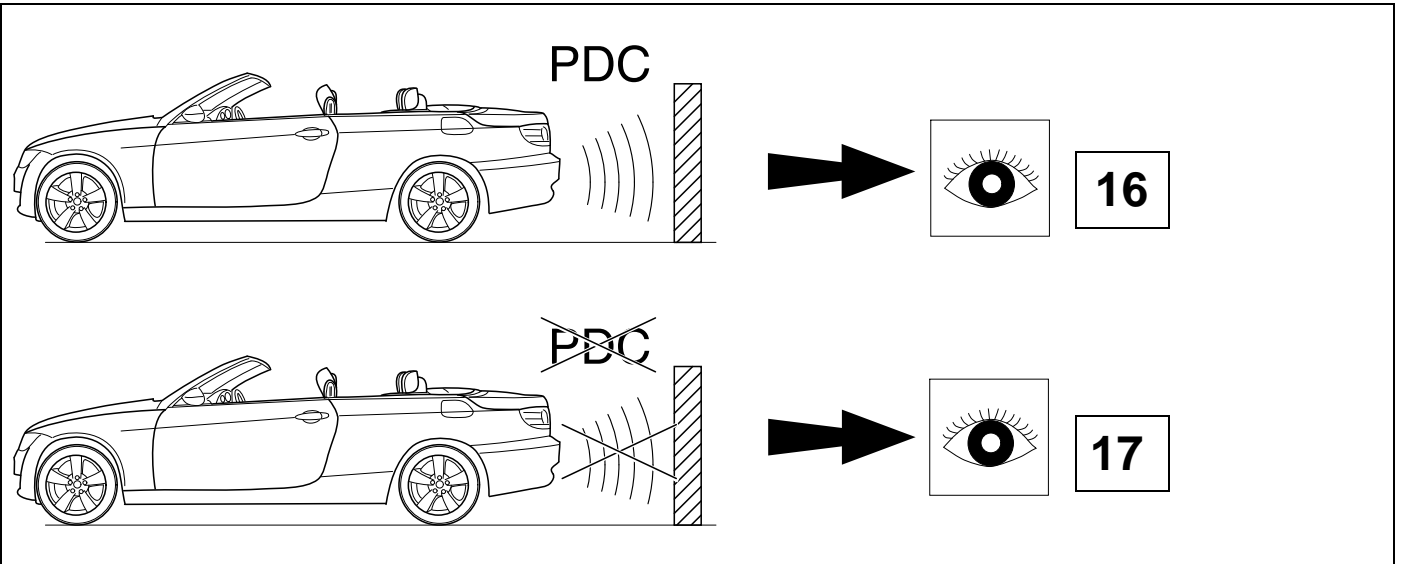
E91





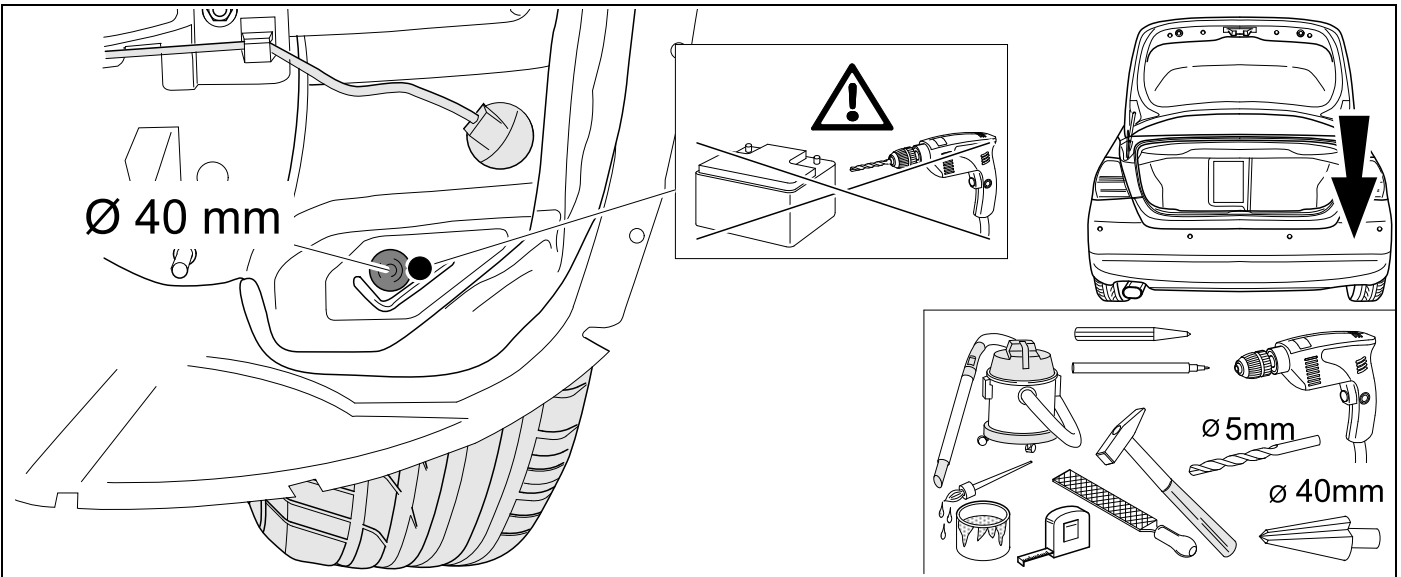
15

E93



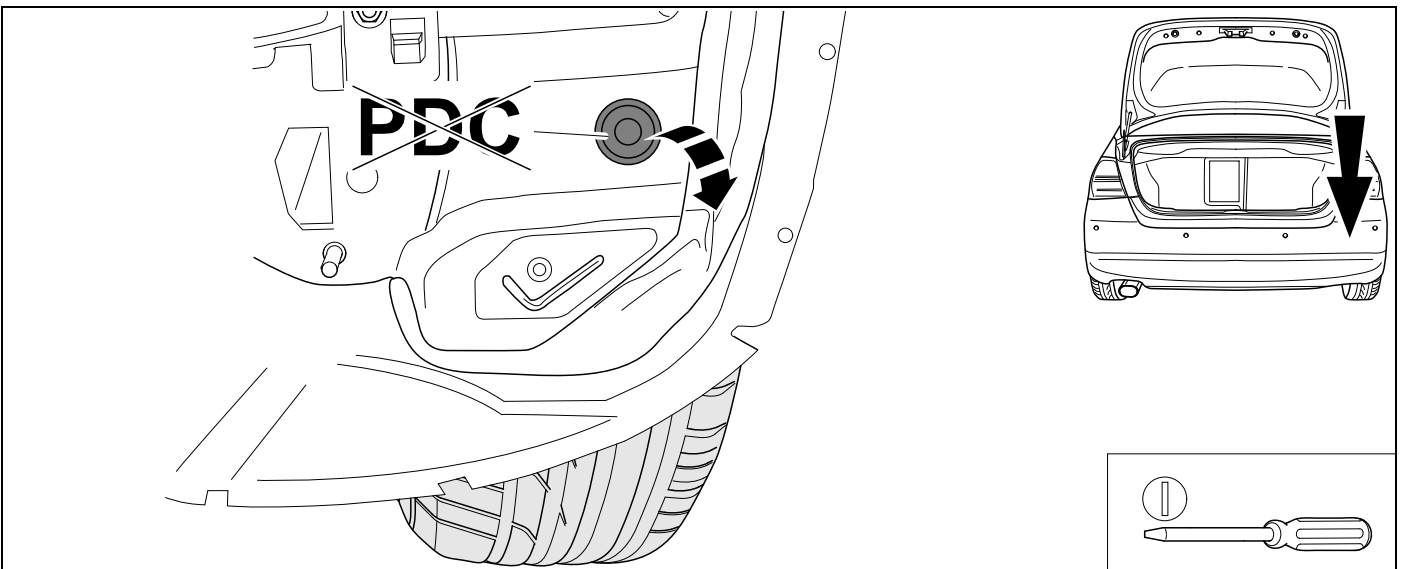
16

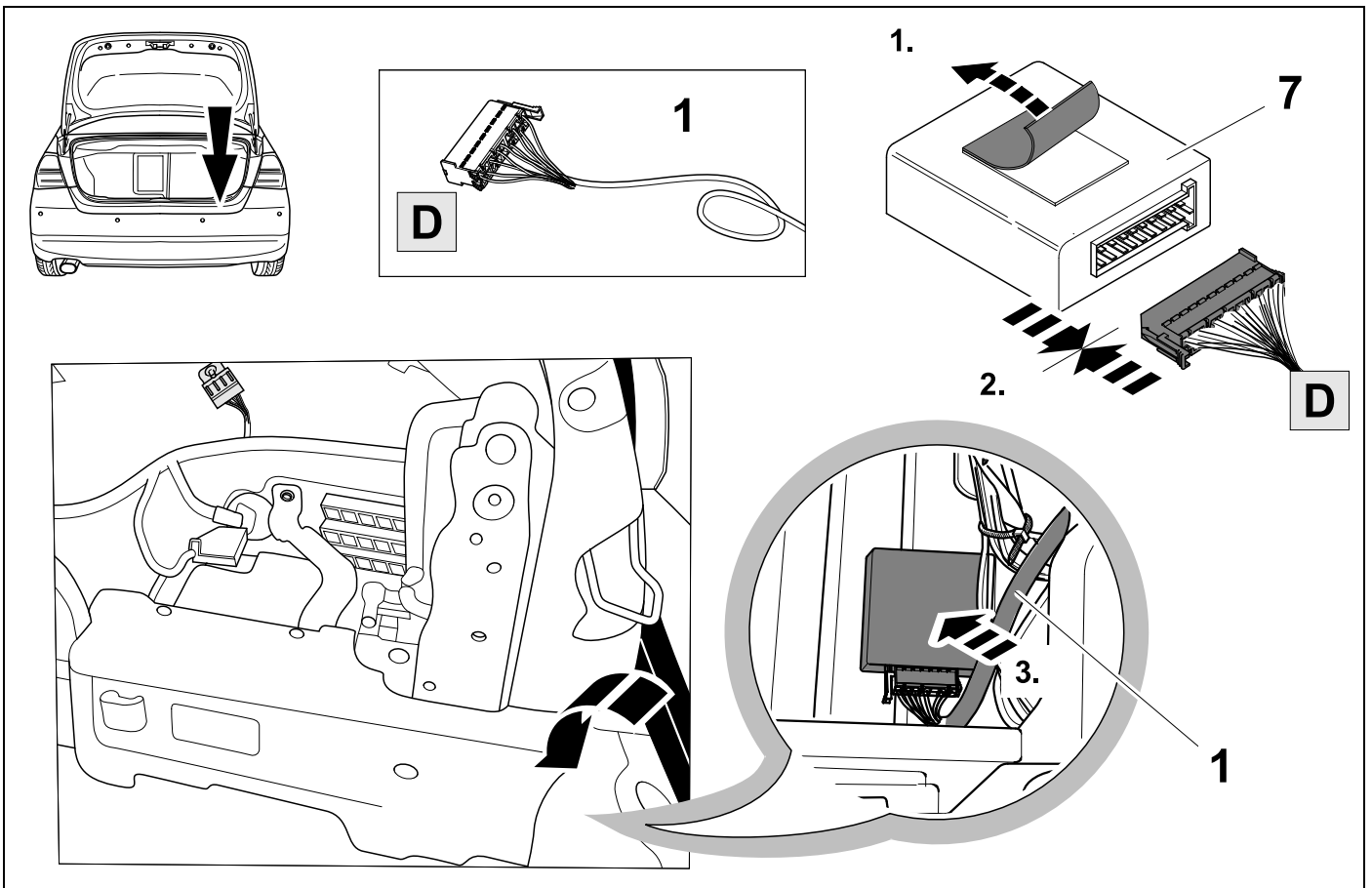
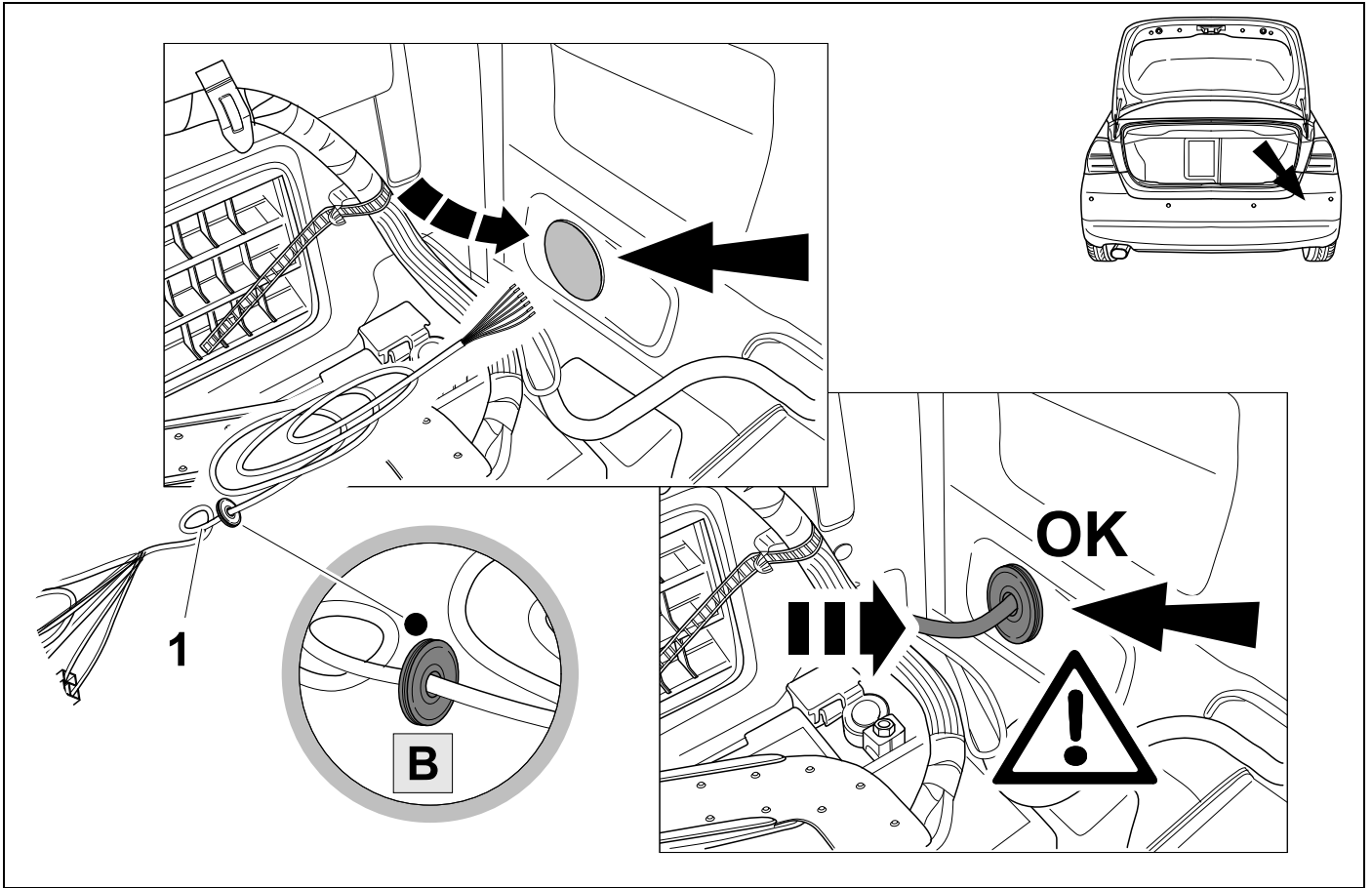
E93

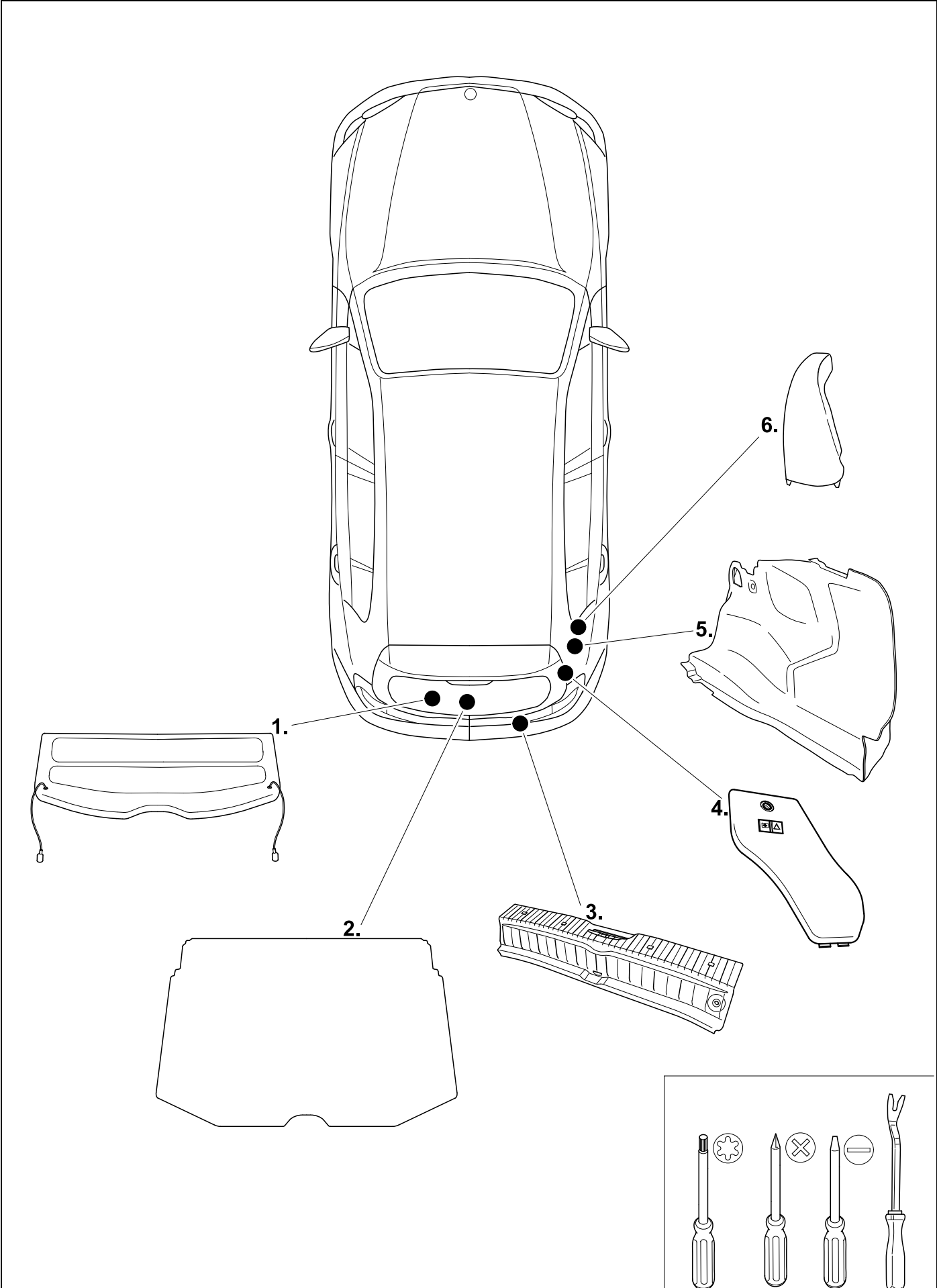


17

E93

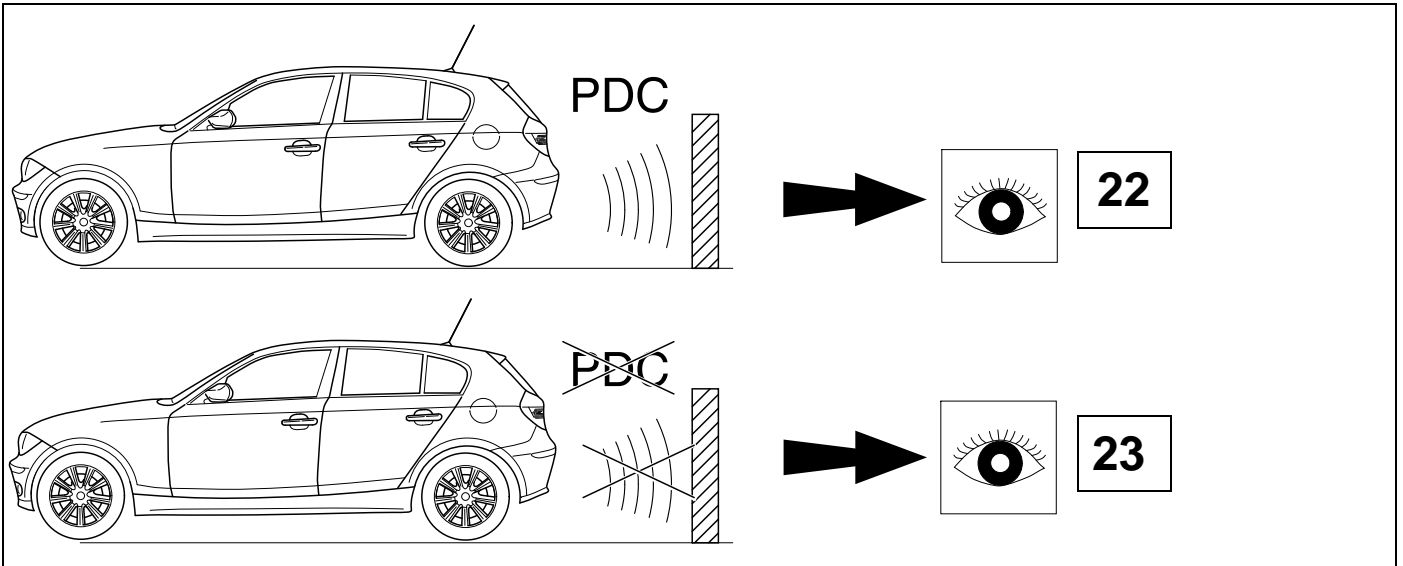






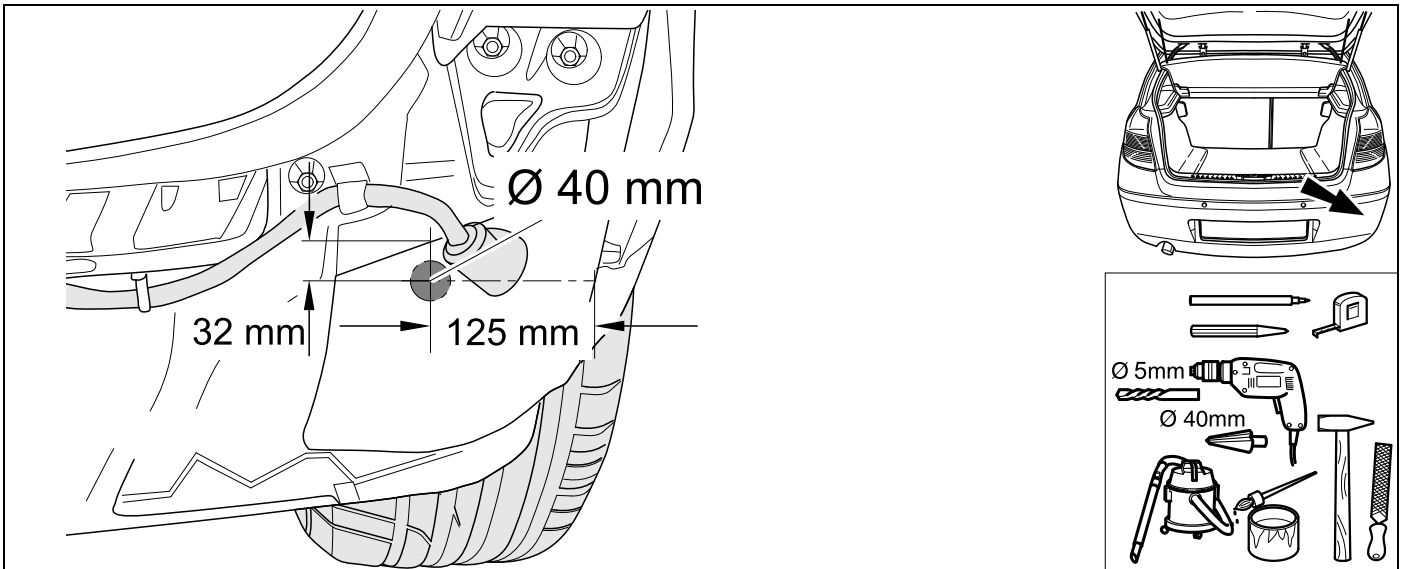
21

E81 / E87



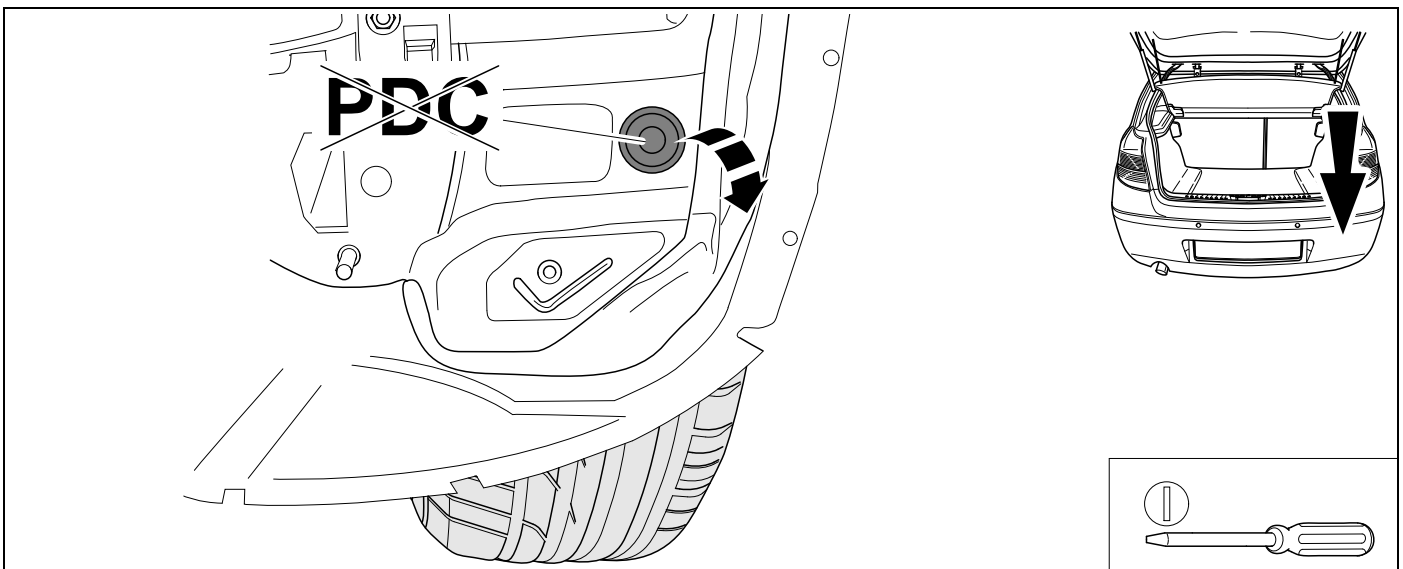
22

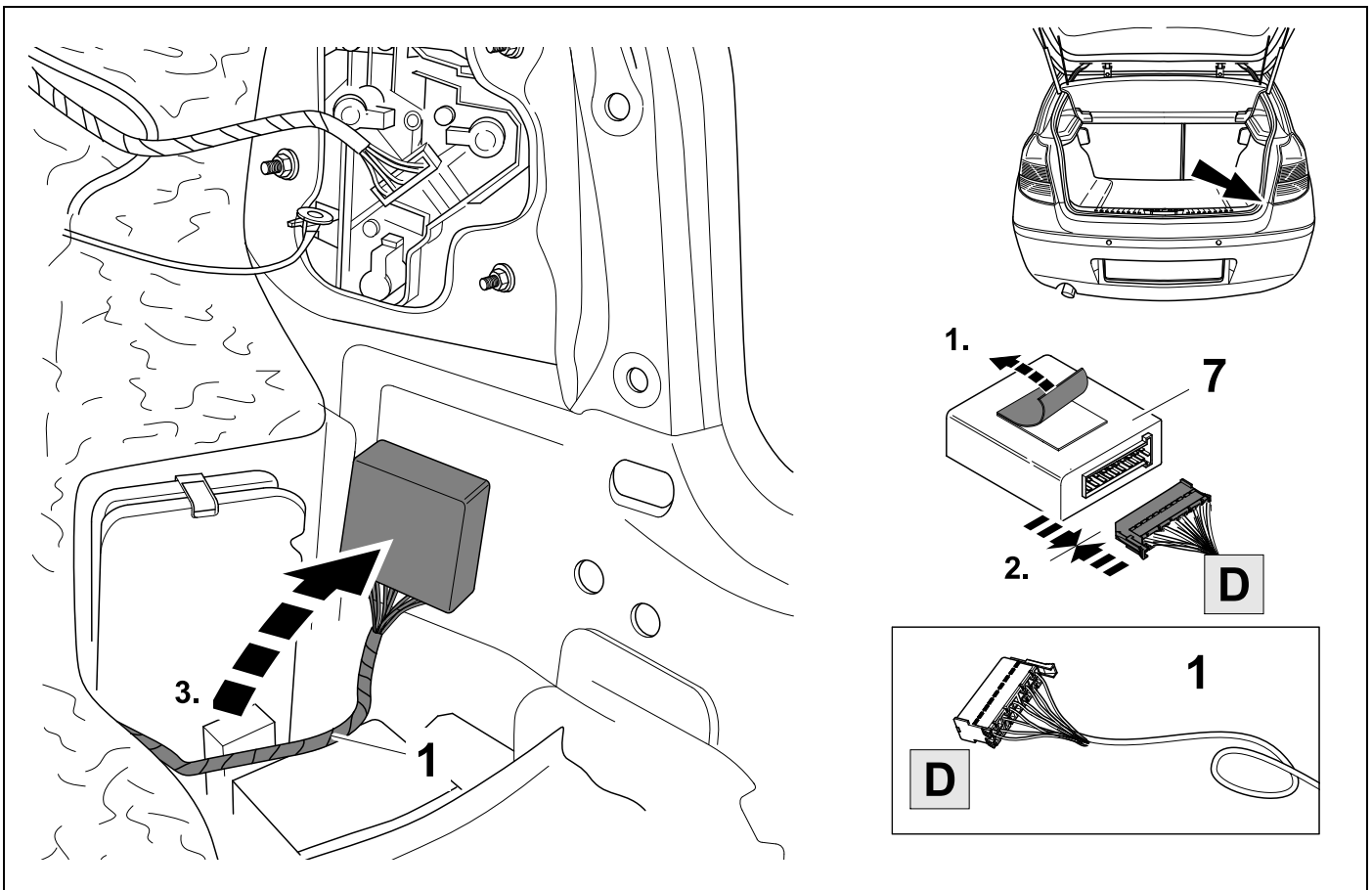
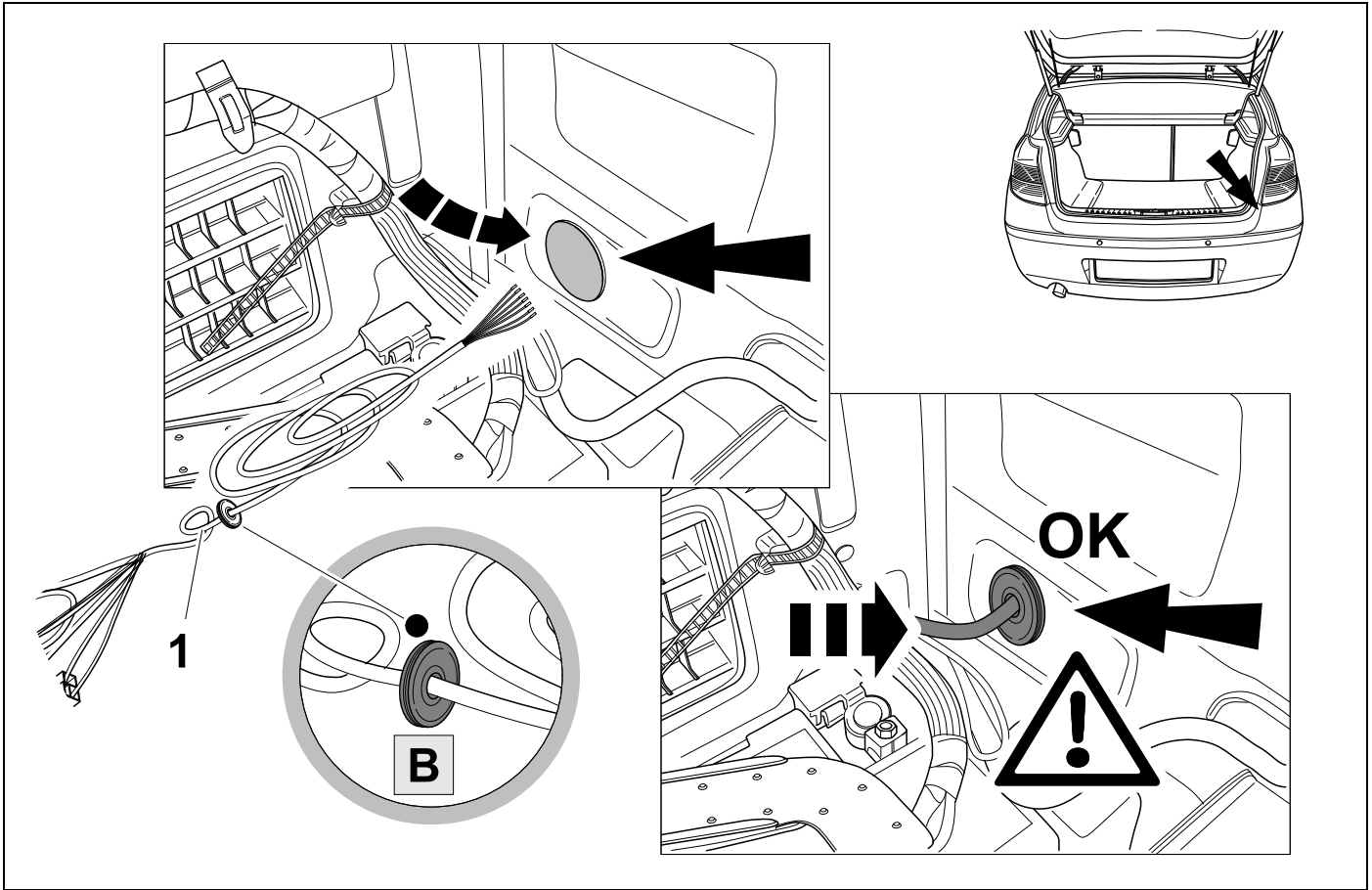
E81 / E87



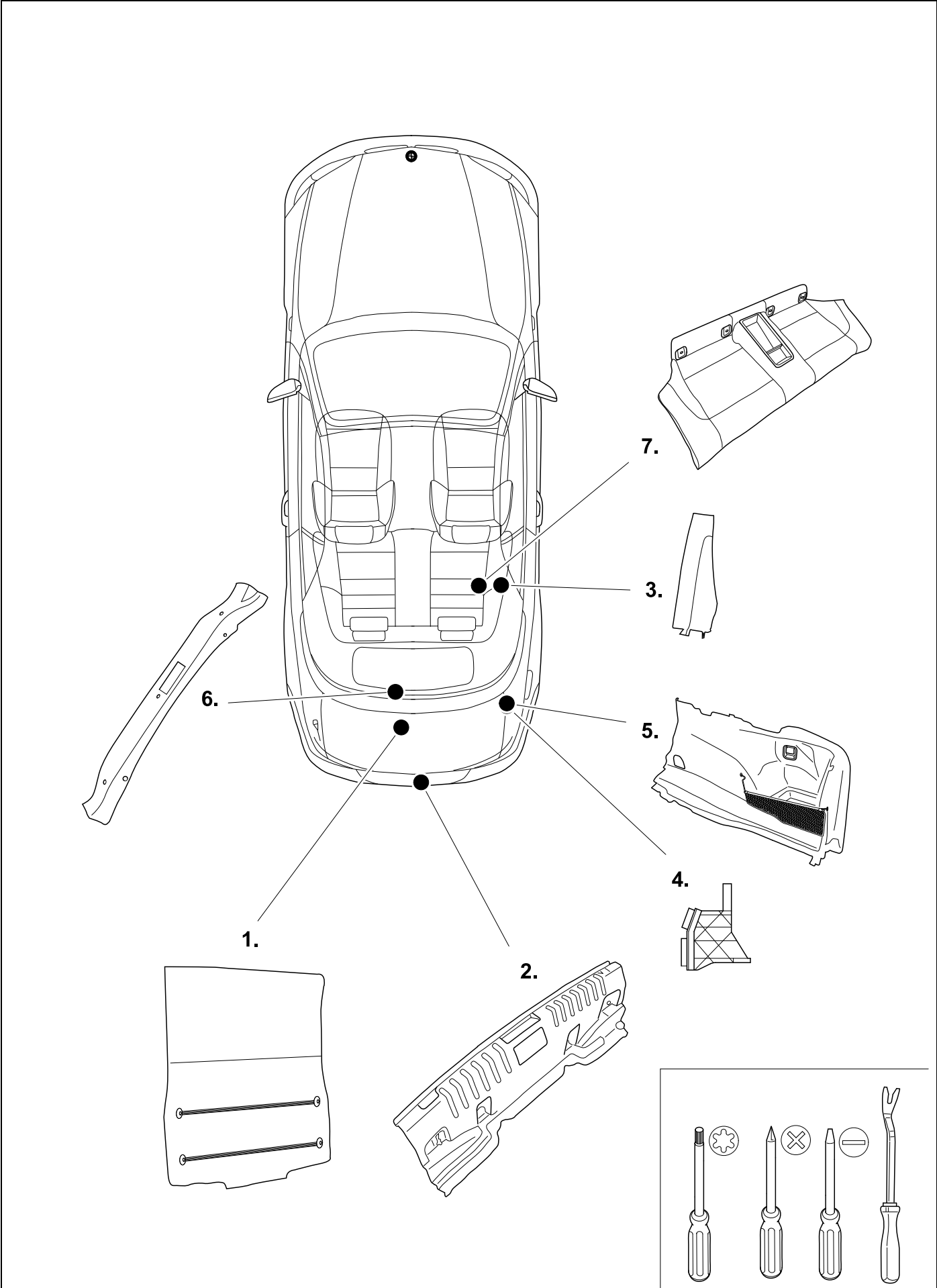
23

E81 / E87



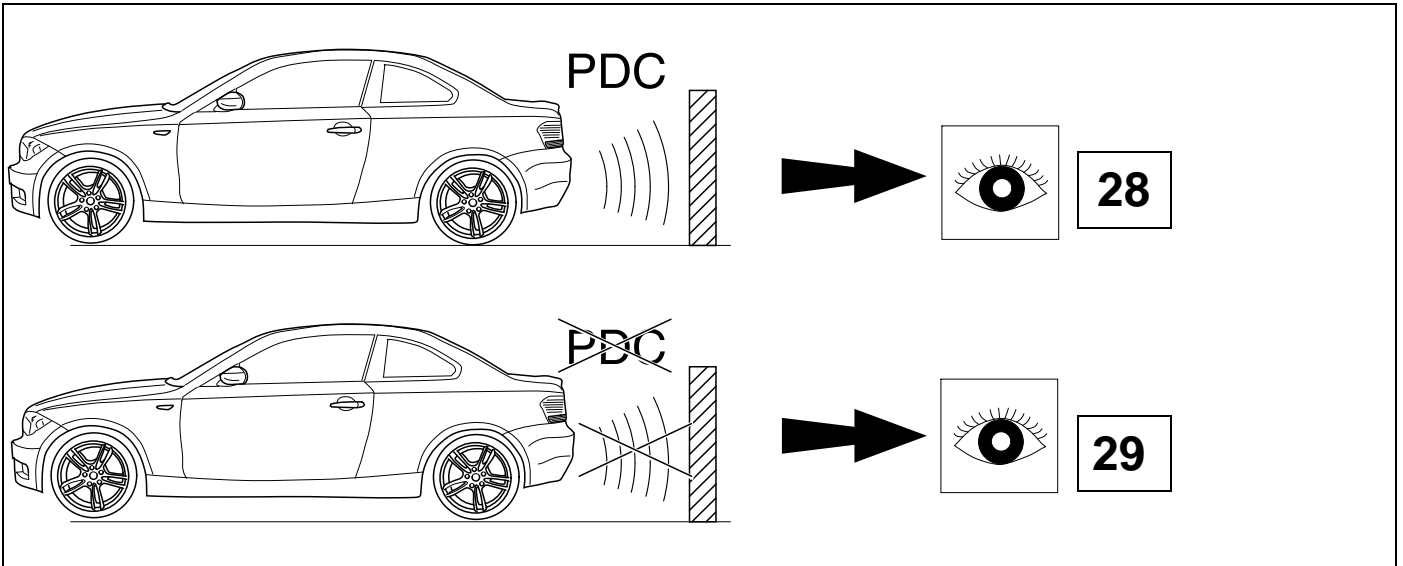






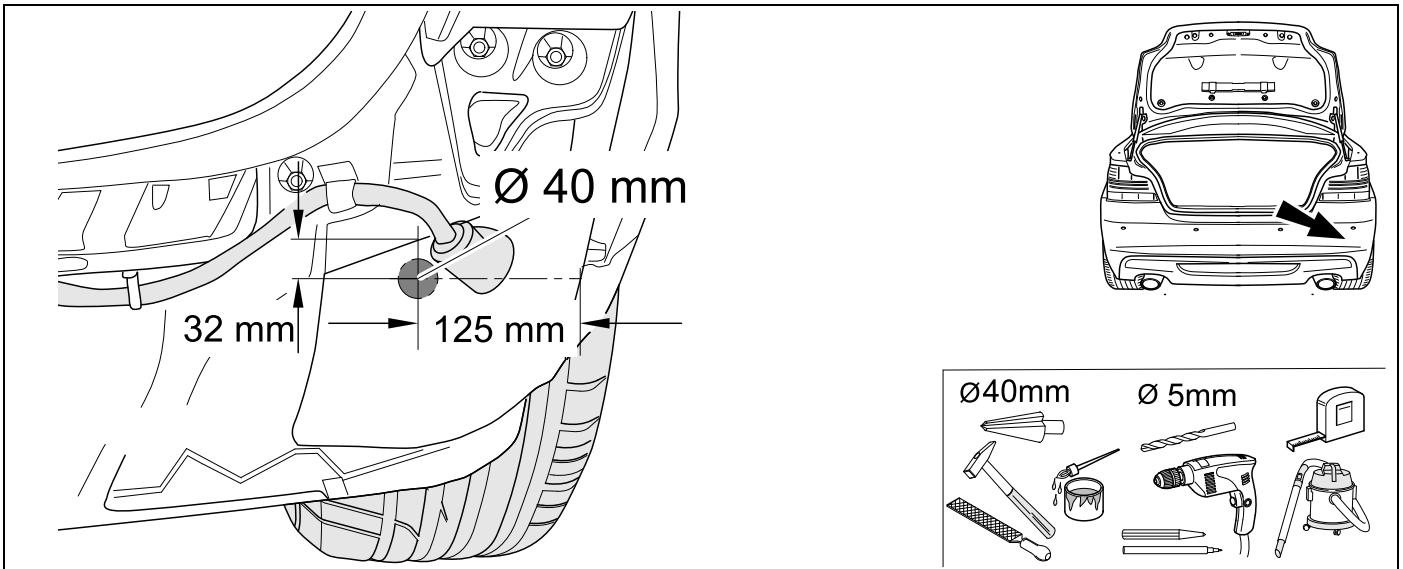
27

E82 / E88



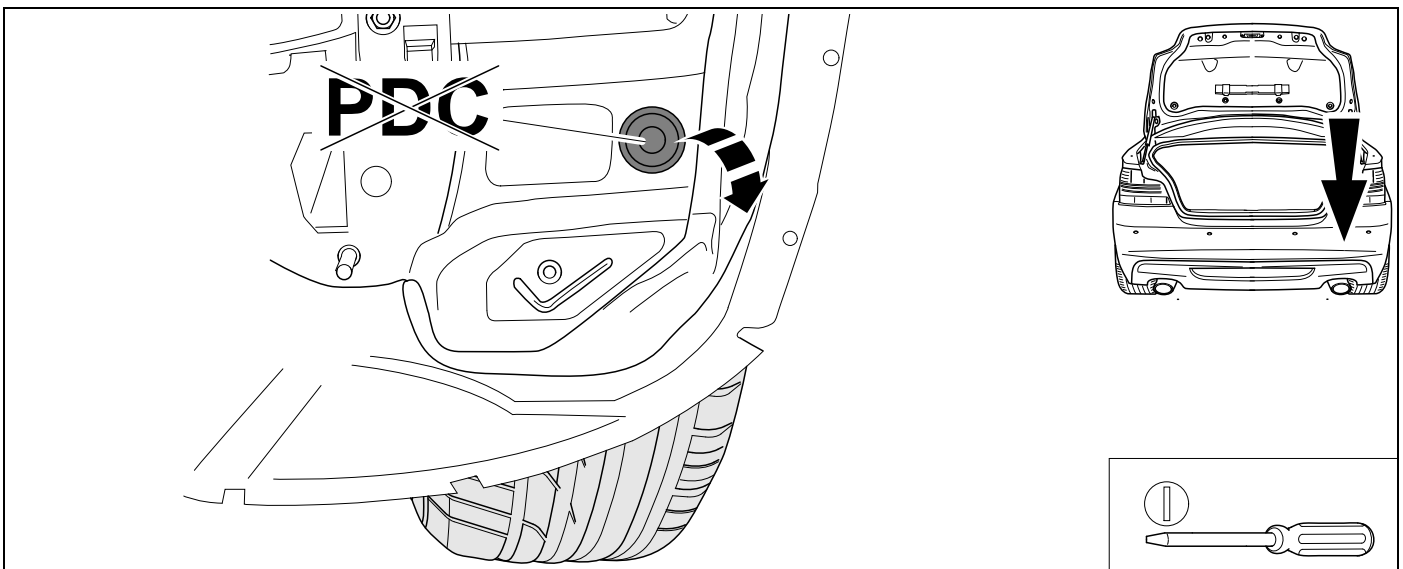
28

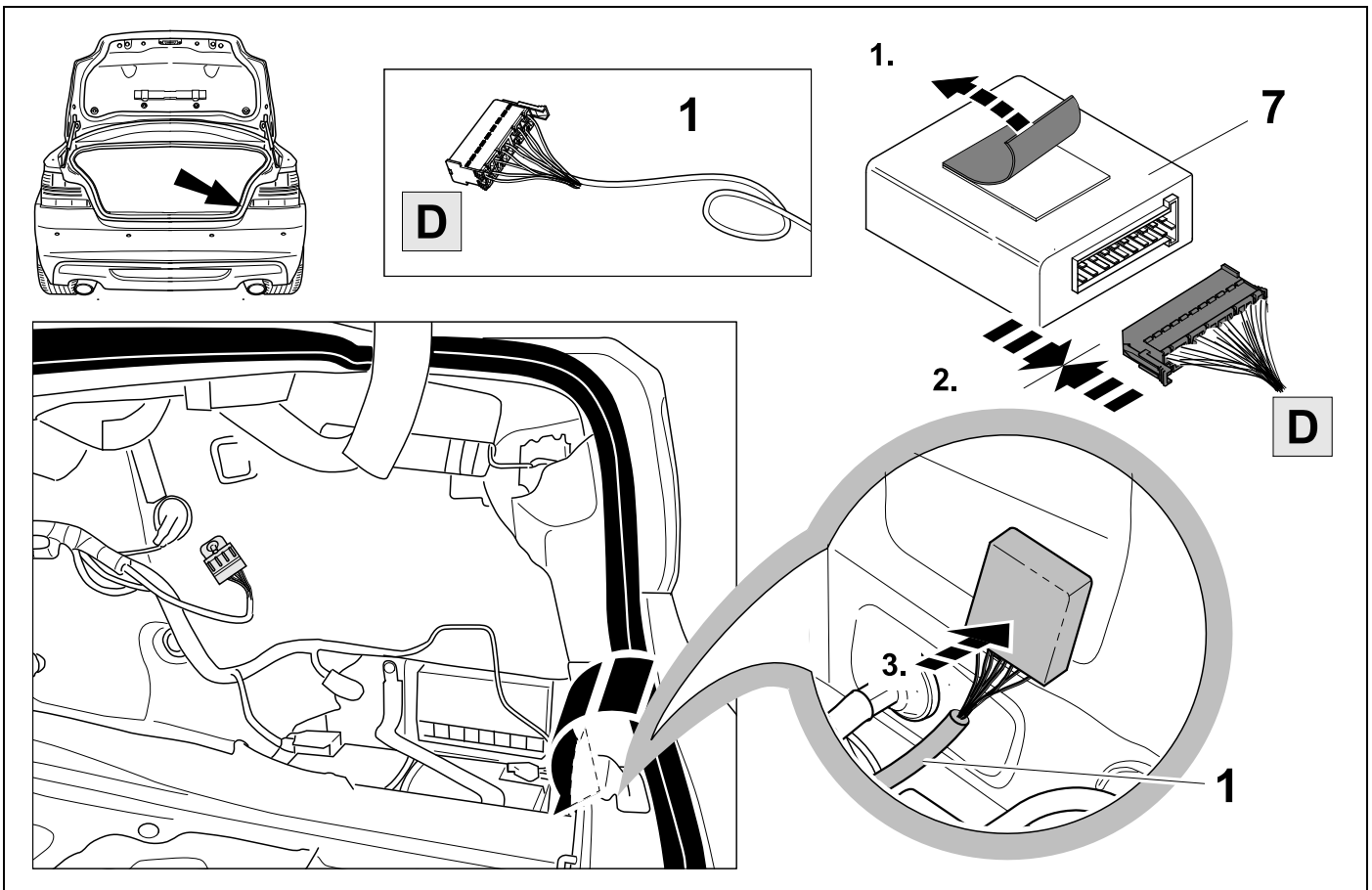
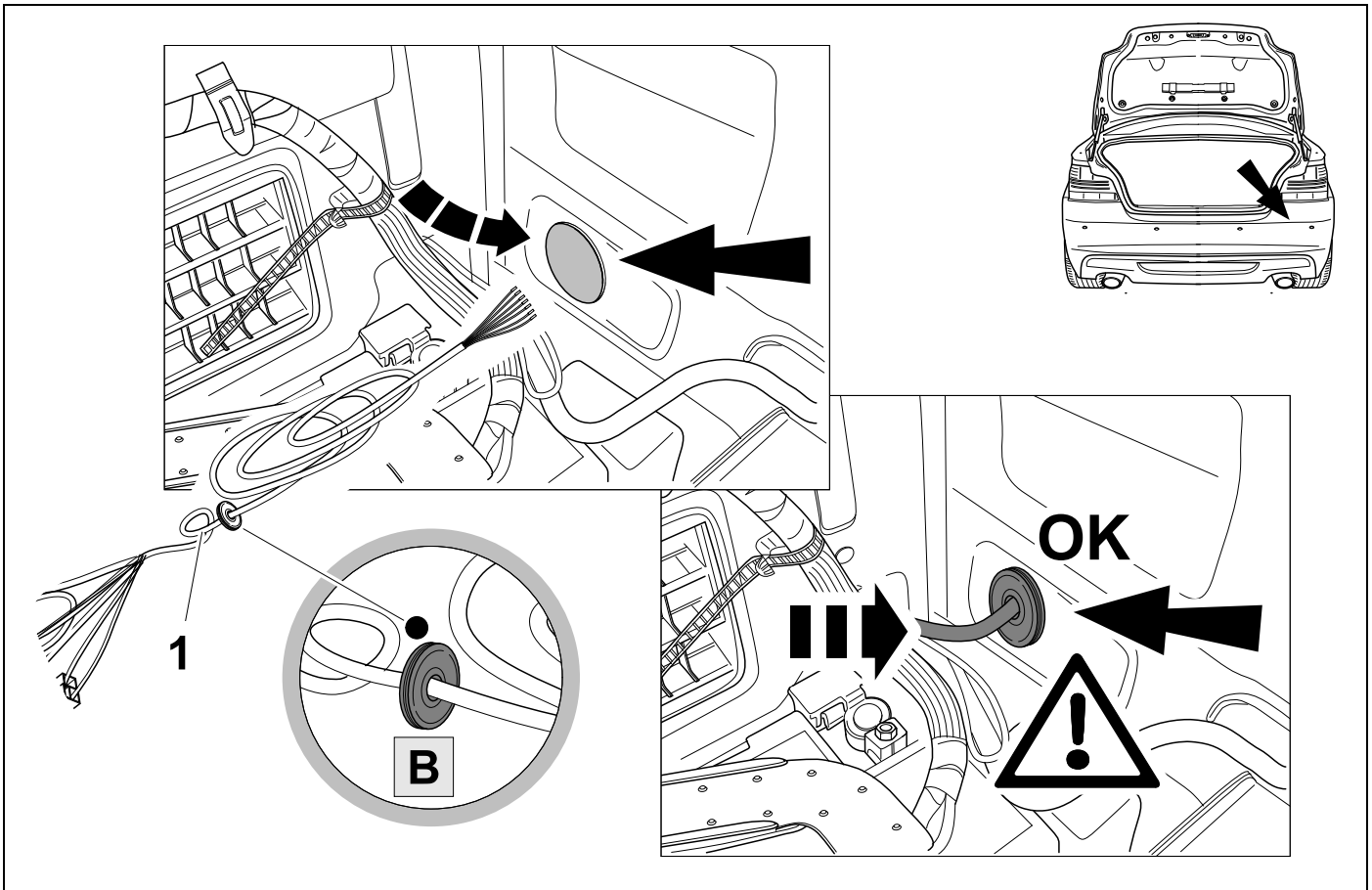
E82 / E88

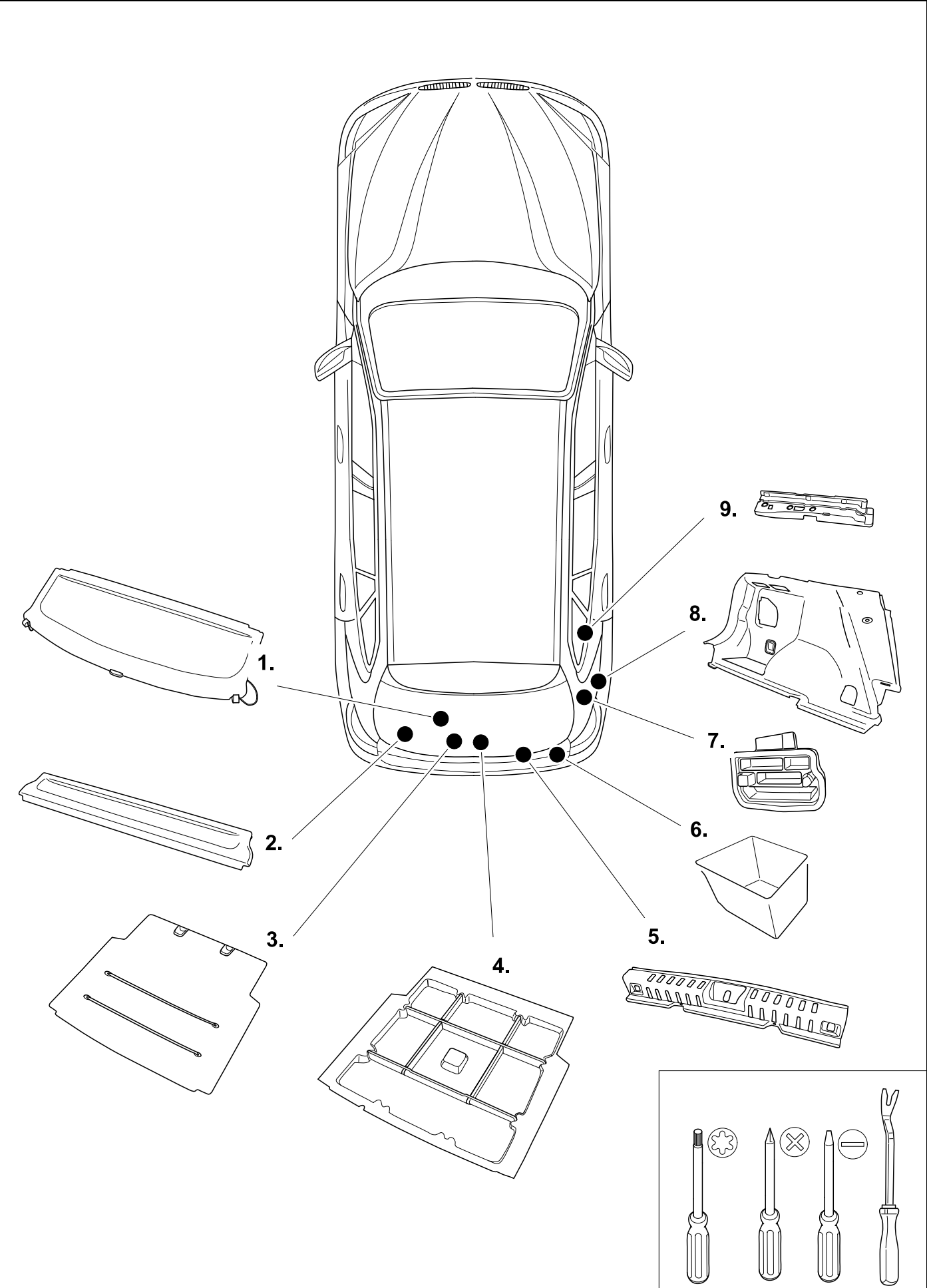


29

E82 / E88

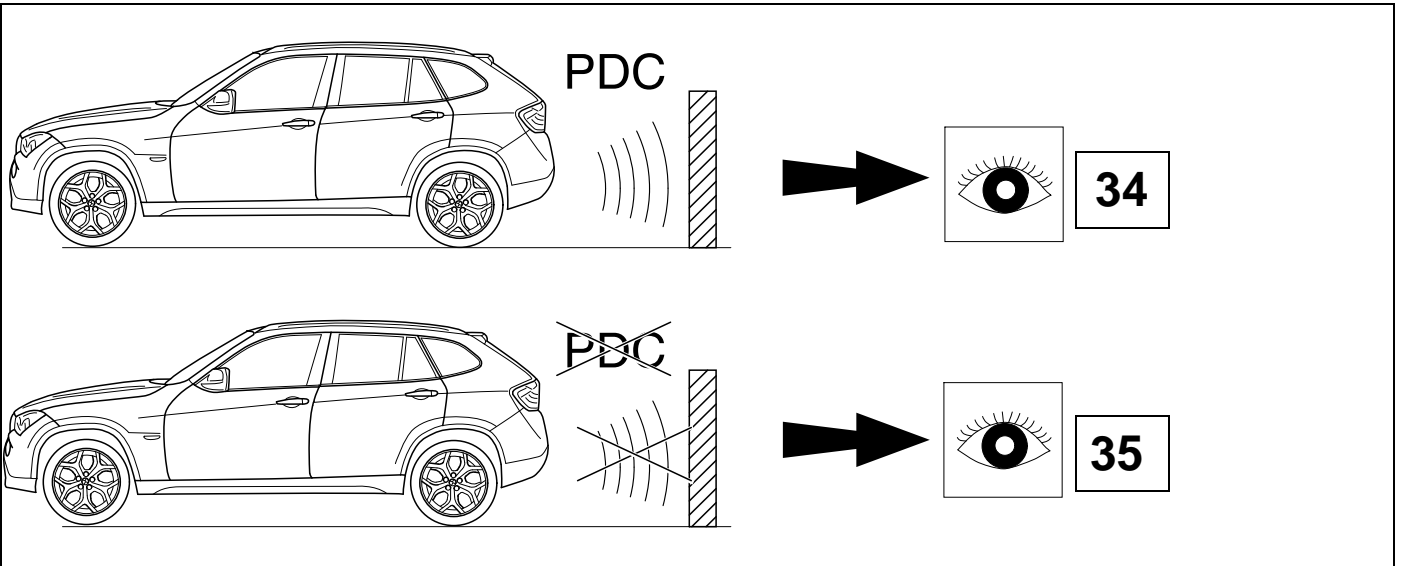






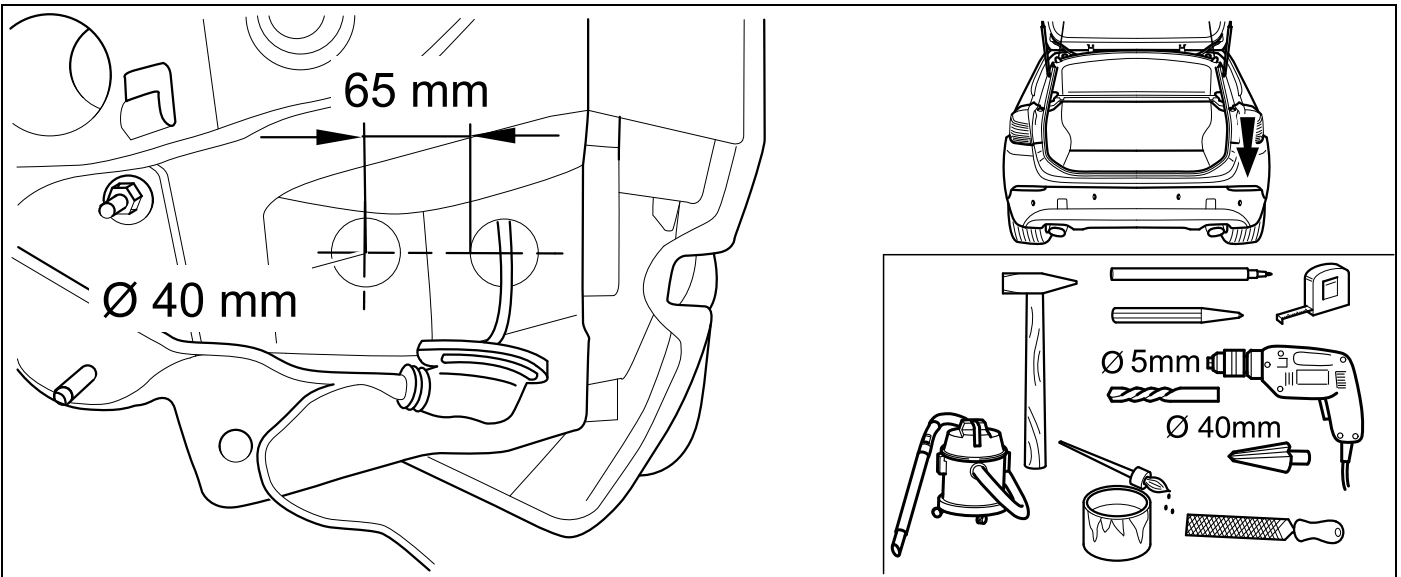
33

E84



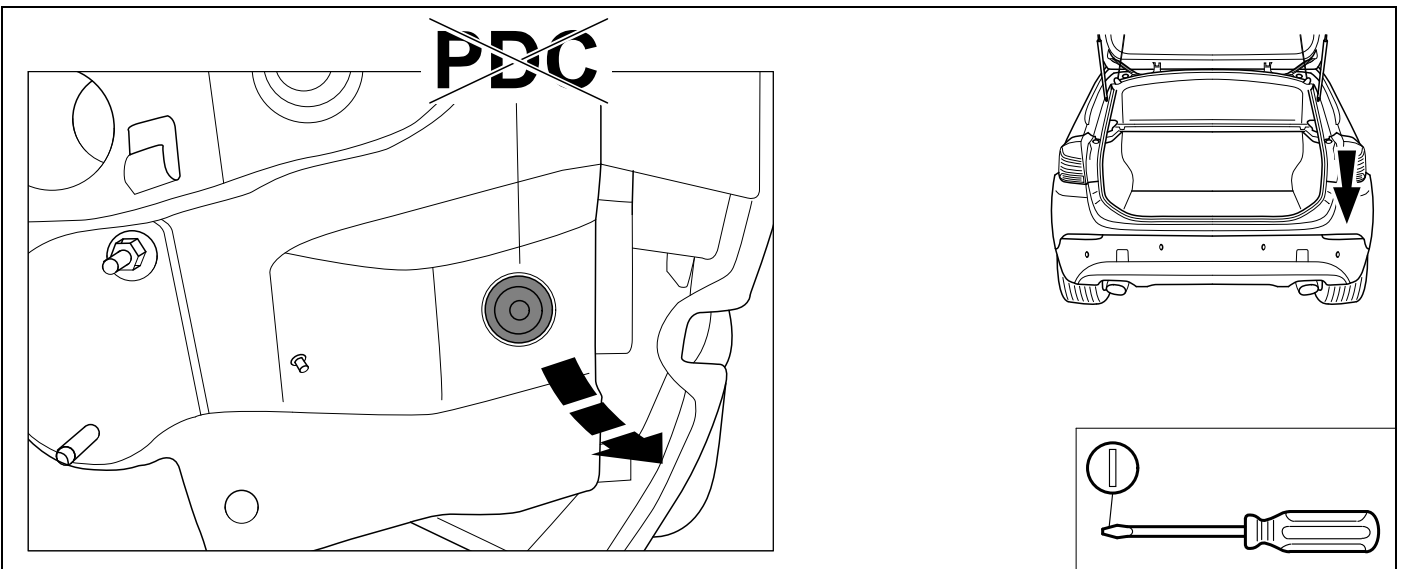
34

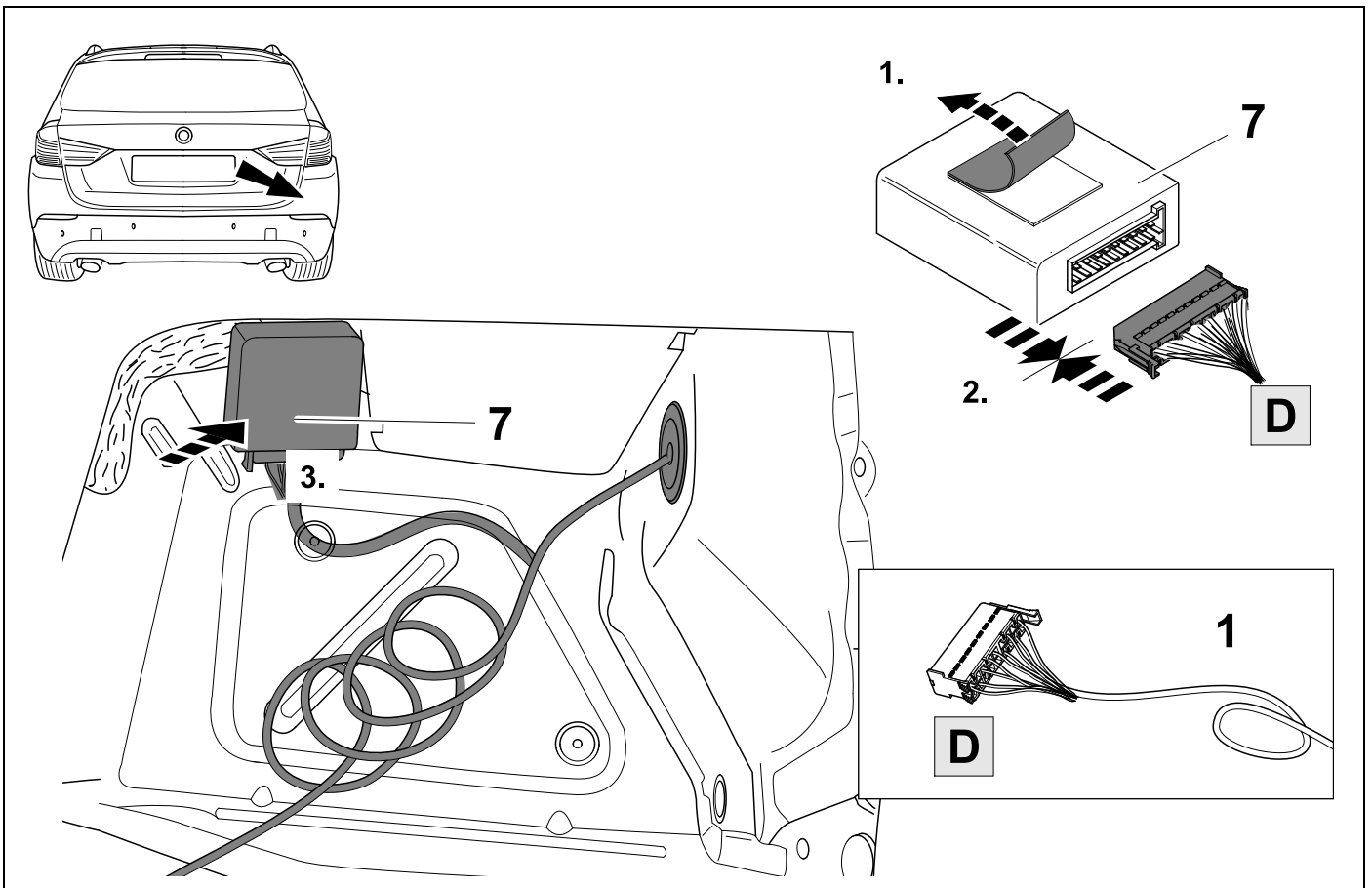
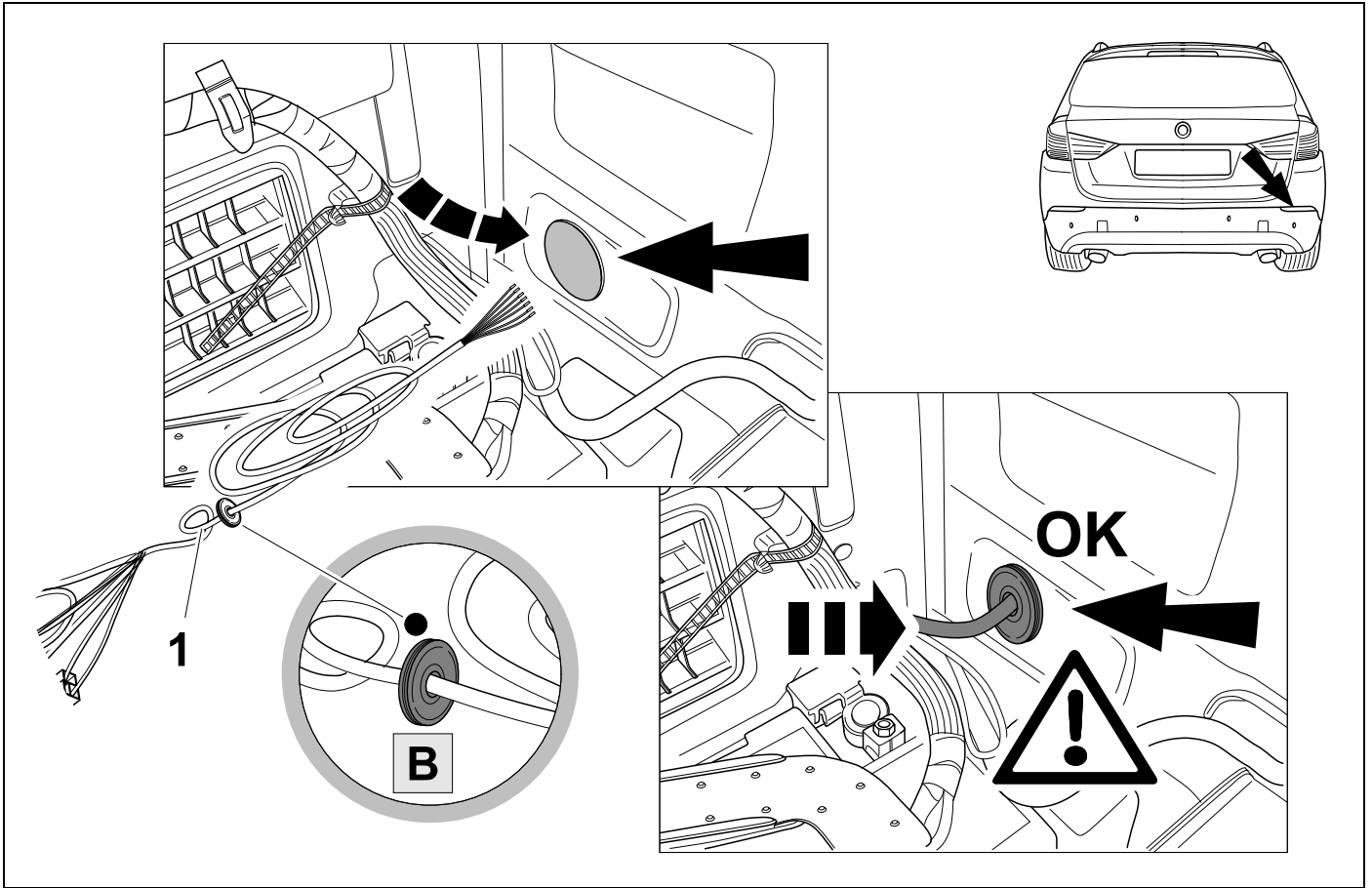
E84

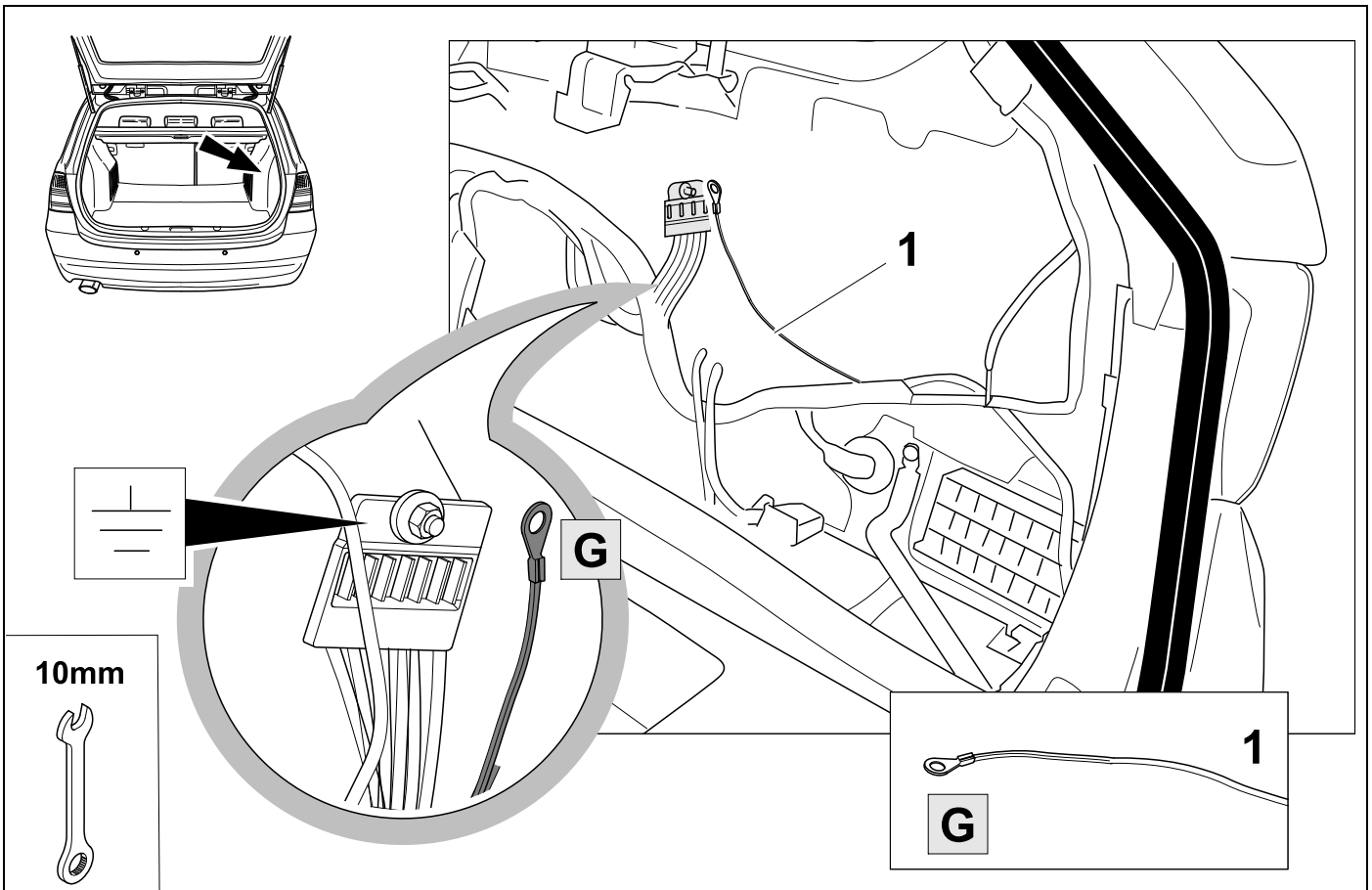
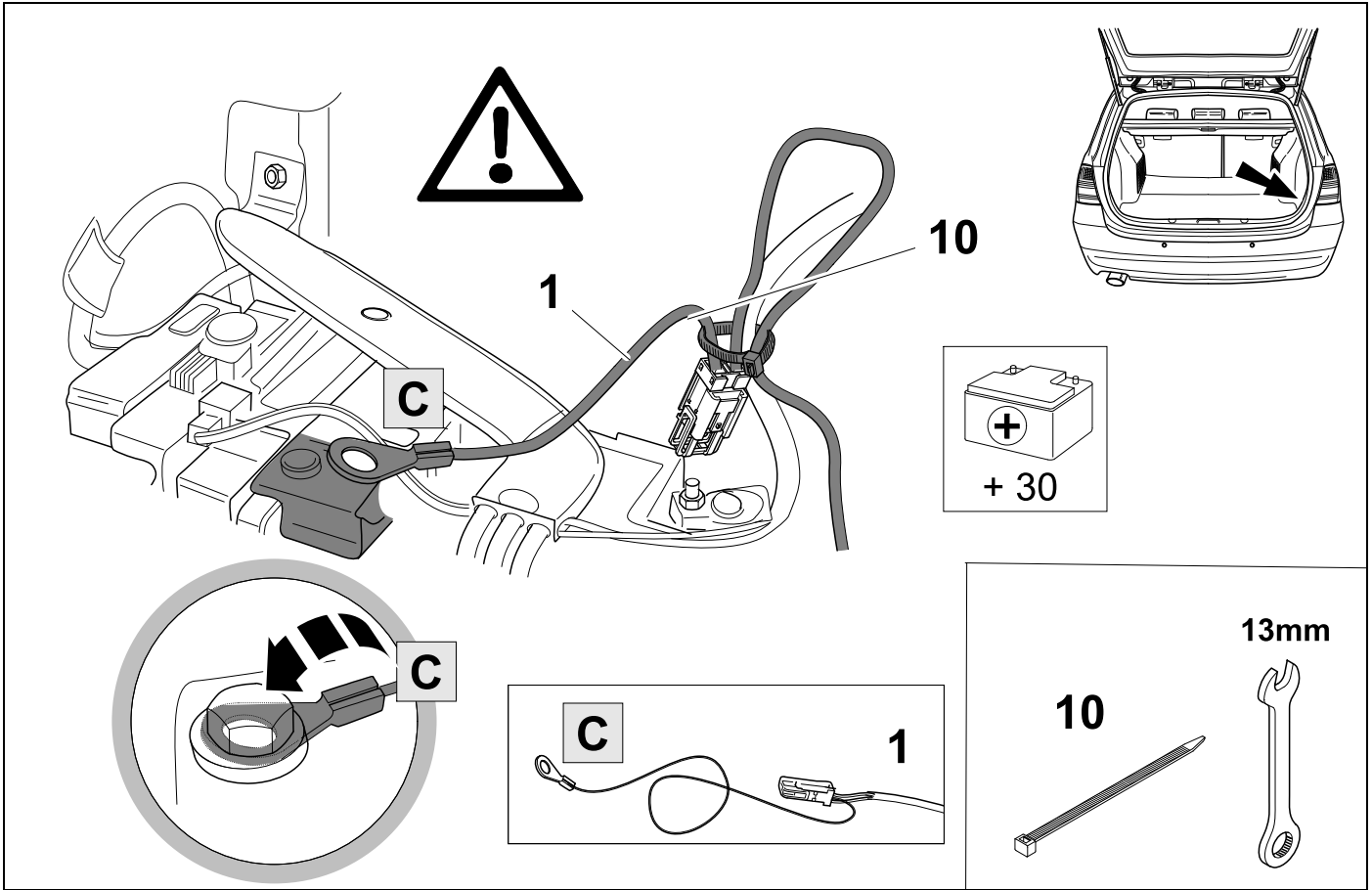


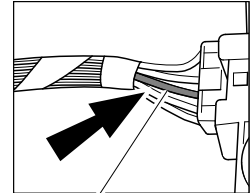
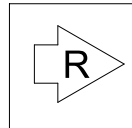
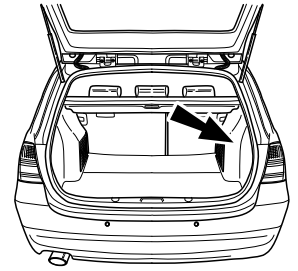
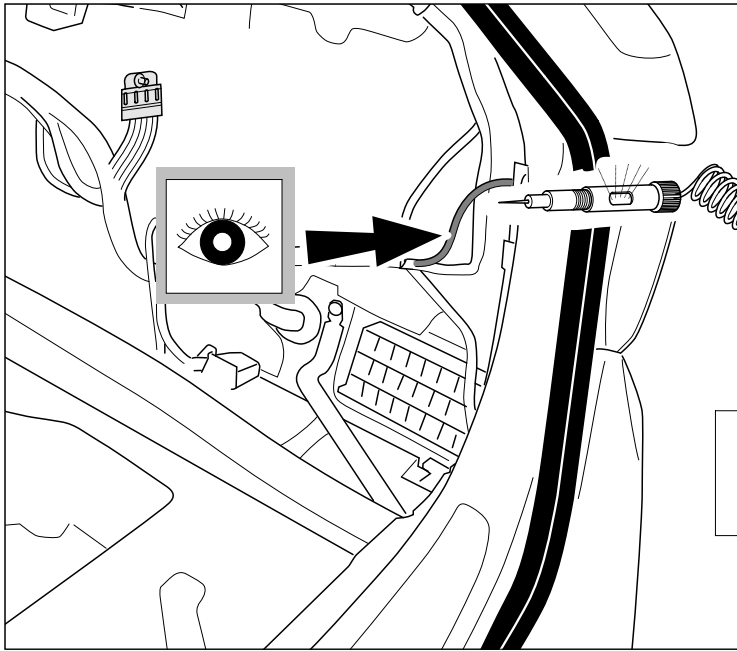
35

E84

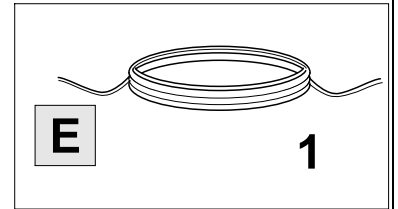
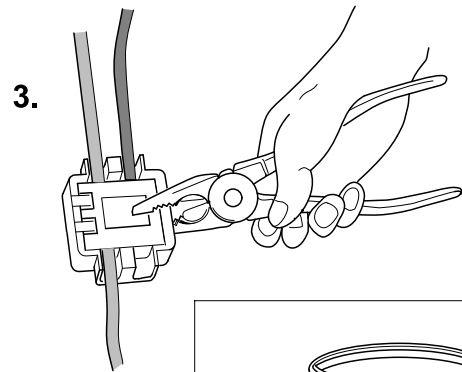
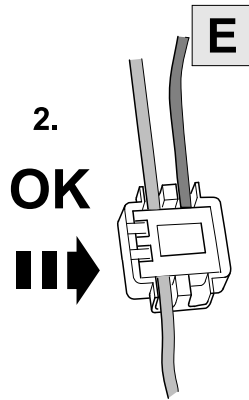
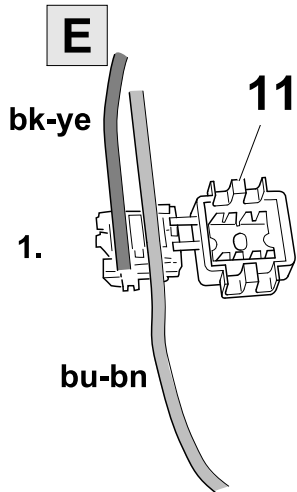








bu-bn





41



51

**CAN-Wire**

gn

or-gn

gn

or-gn

gn

or-gn

**OPTION 1**

42 - 43

47 - 59

**OPTION 2**

44 - 59

42

OPTION 1



51

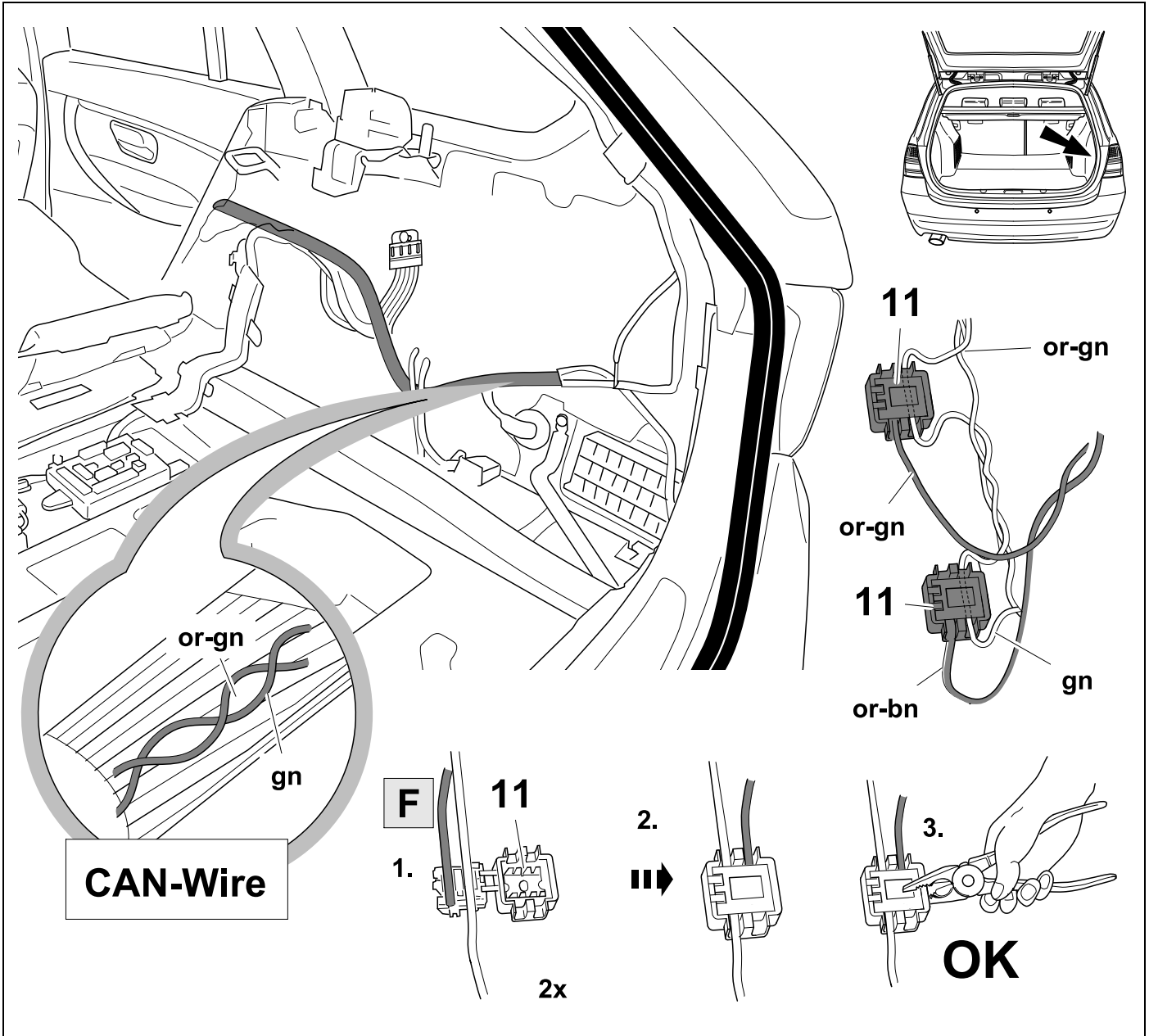
**F**

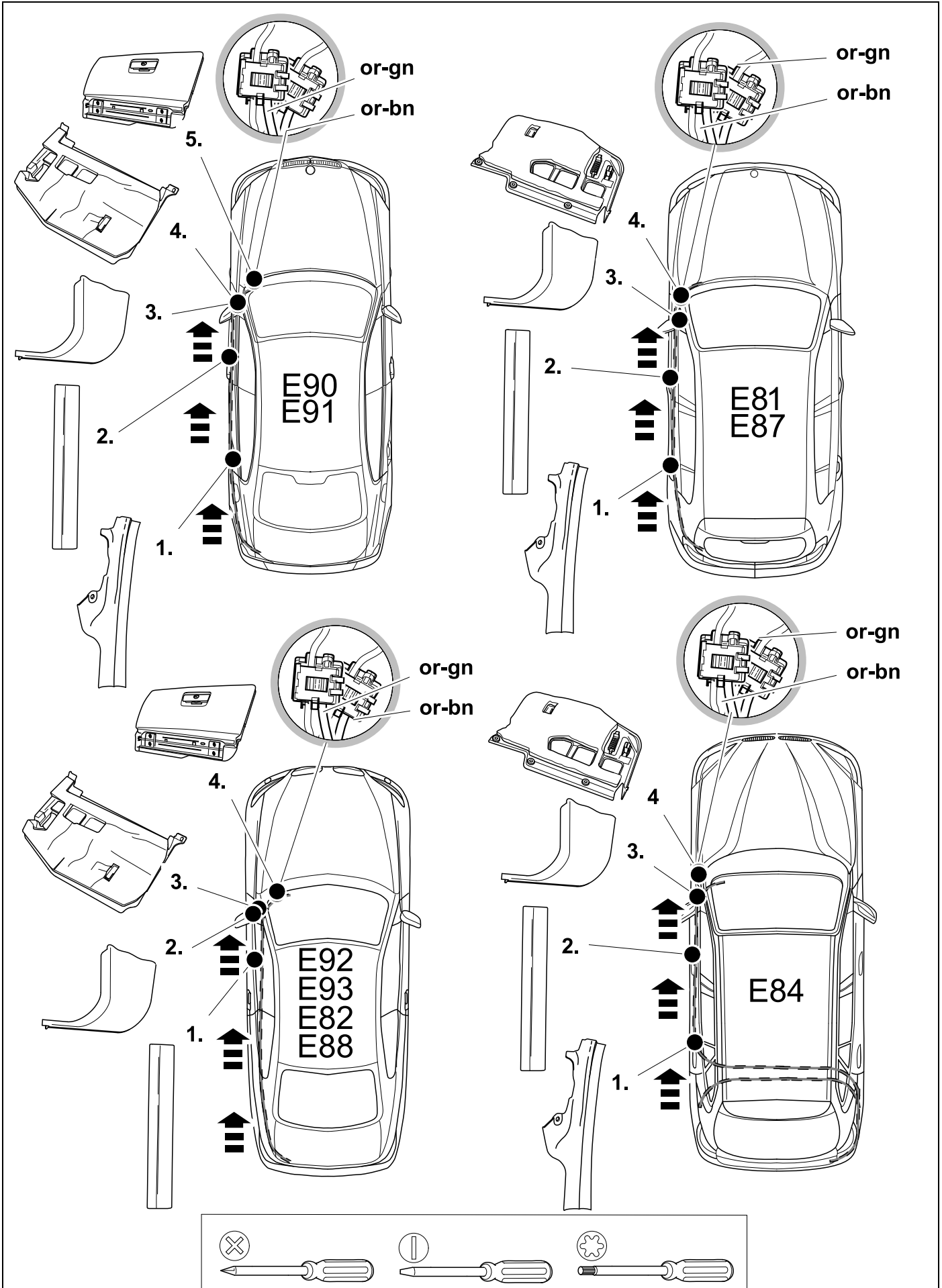
**1**

or-gn

or-bn

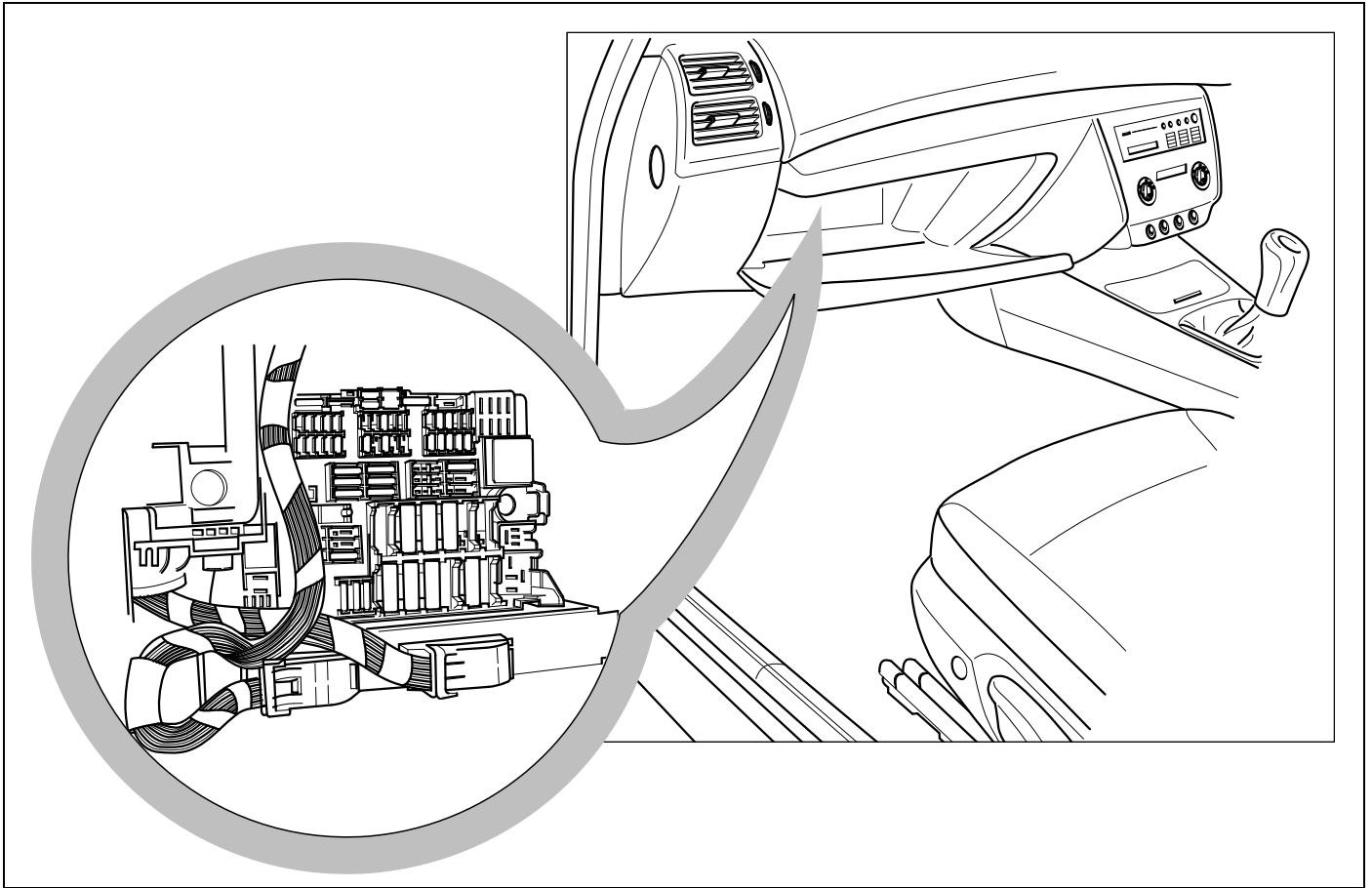
**1**





45

# OPTION 2

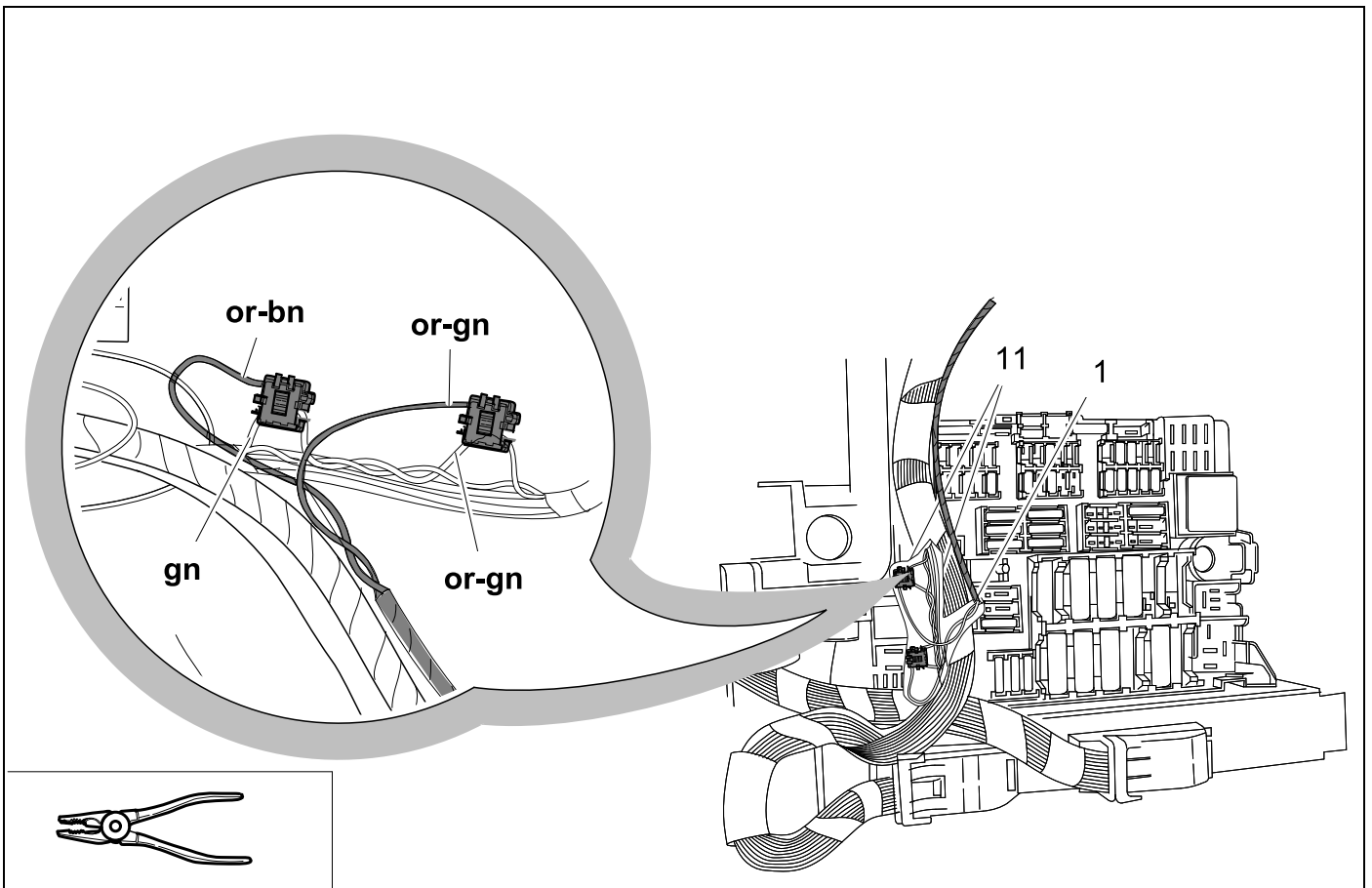


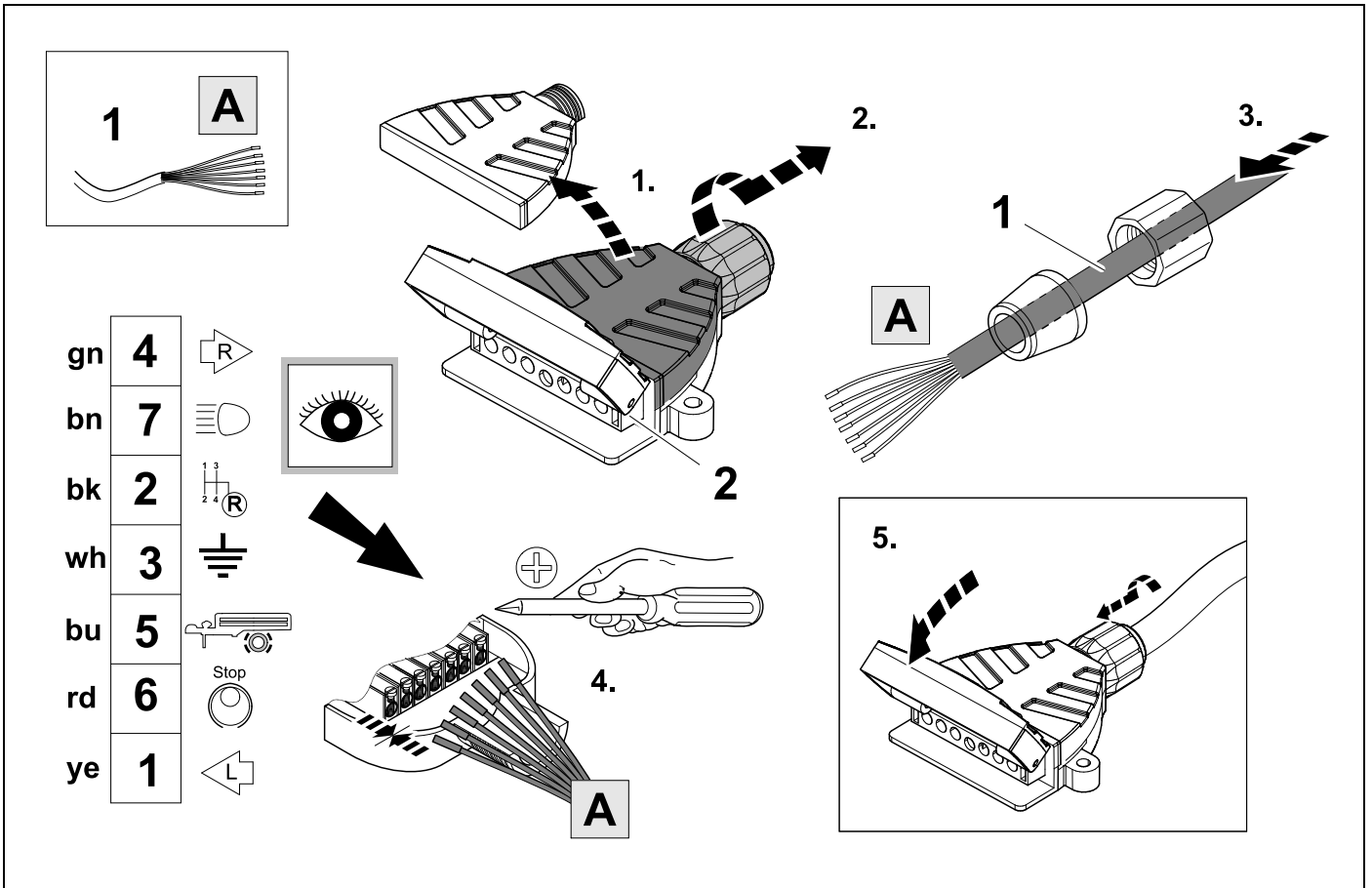
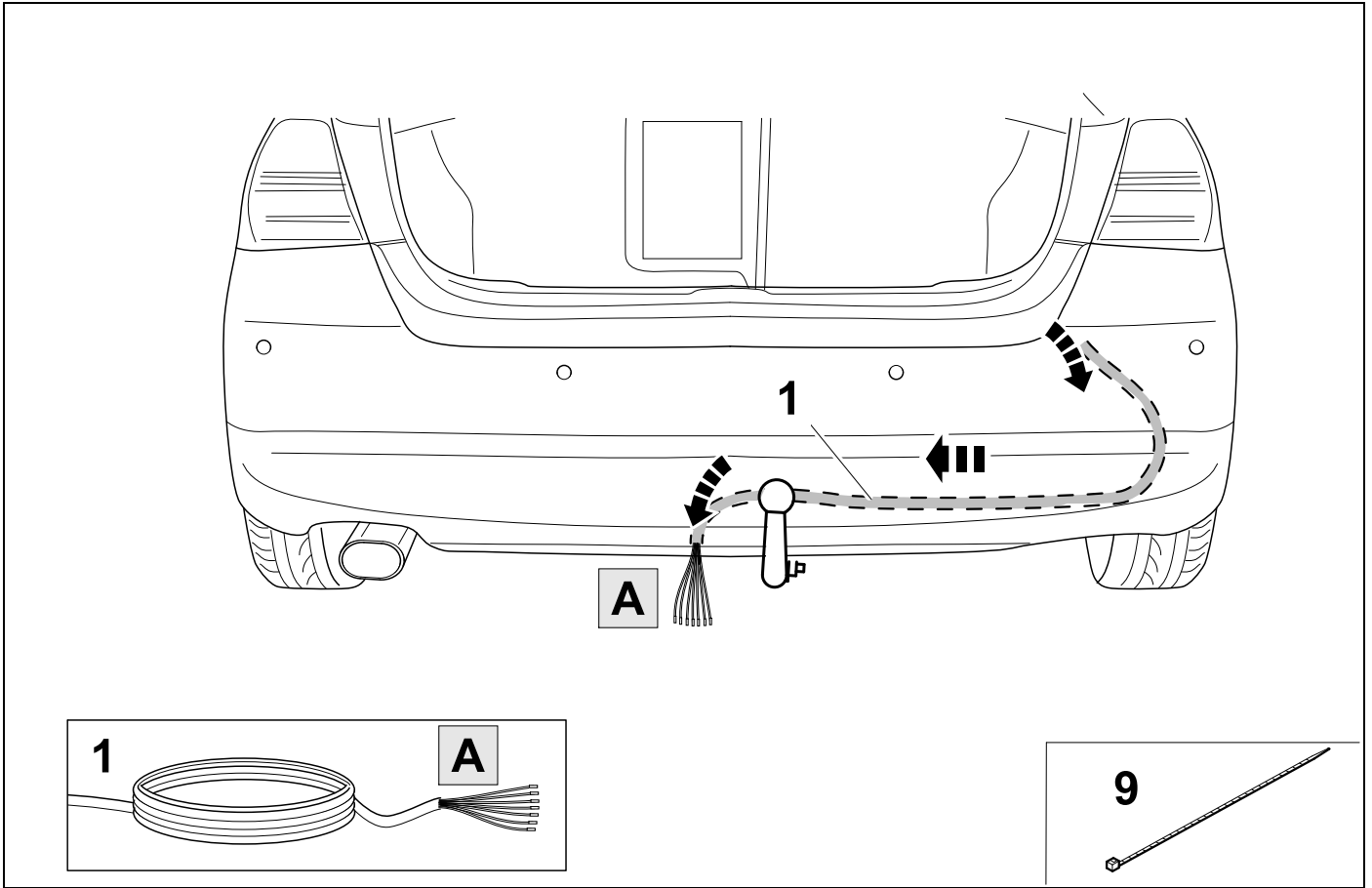
46

# OPTION 2

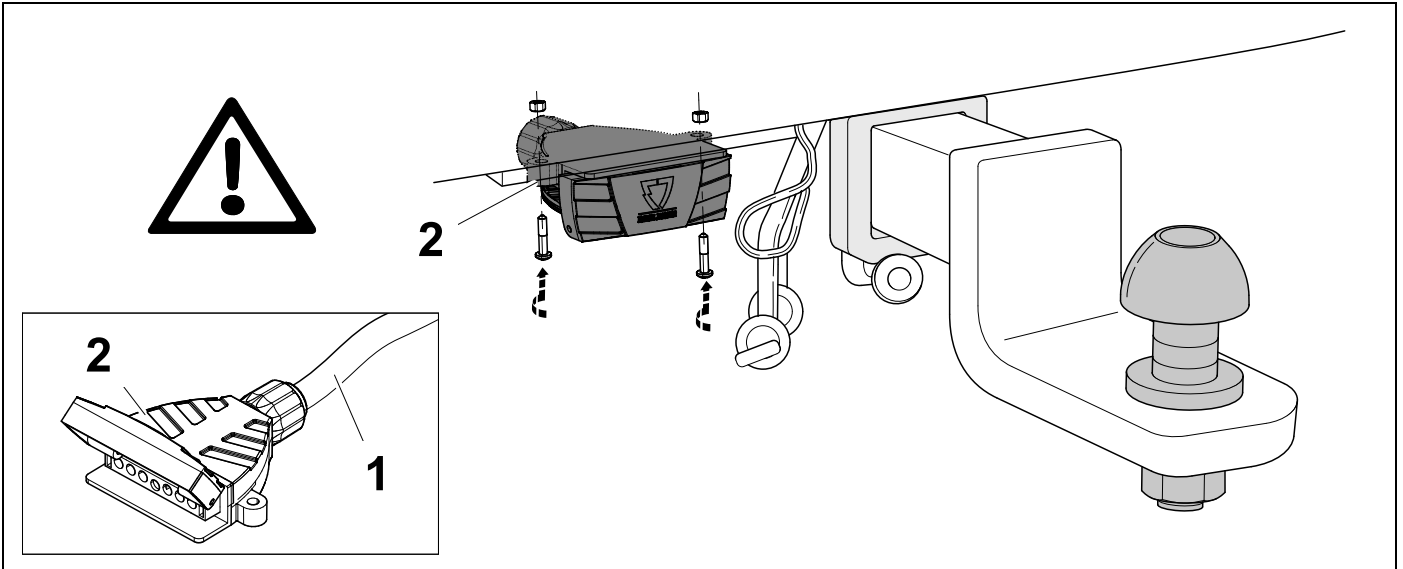


51





49



50



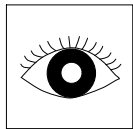
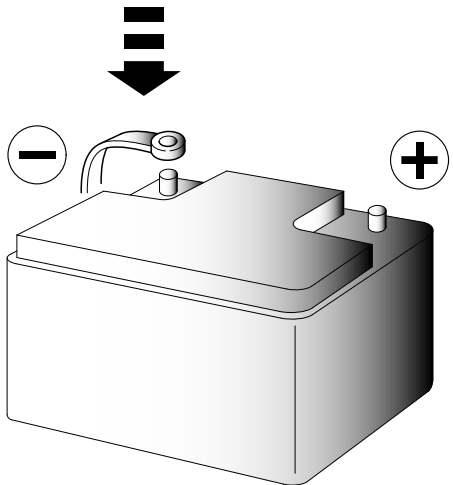
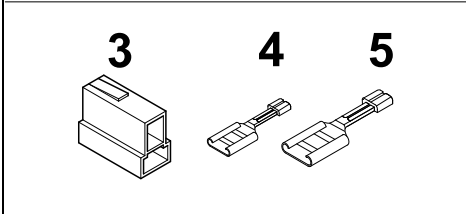
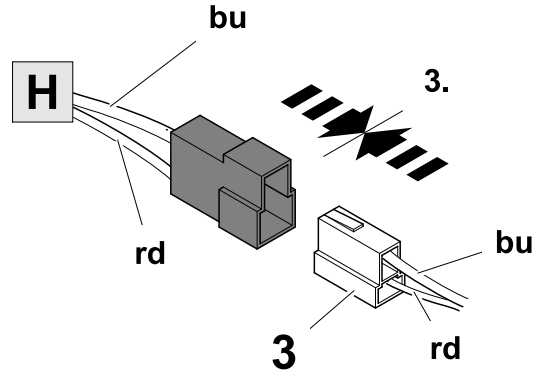
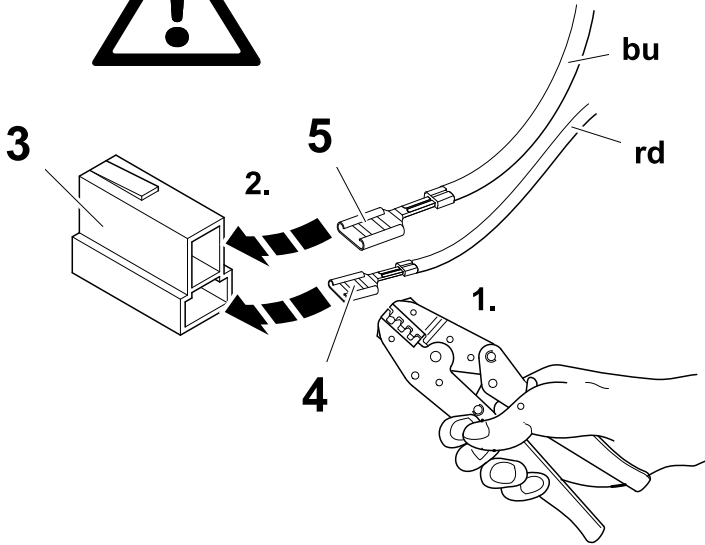
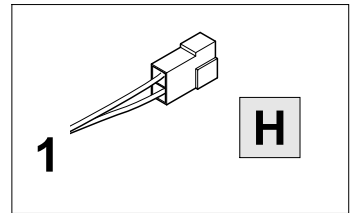
51

1	ye	
2	bk	
3	wh	
4	gn	
5	bu	
6	rd	
7	bn	

51	bk	wh	gy	gn	rd	bu	ye	bn	pu	or	no
	black	white	grey	green	red	blue	yellow	brown	purple	orange	not occupied

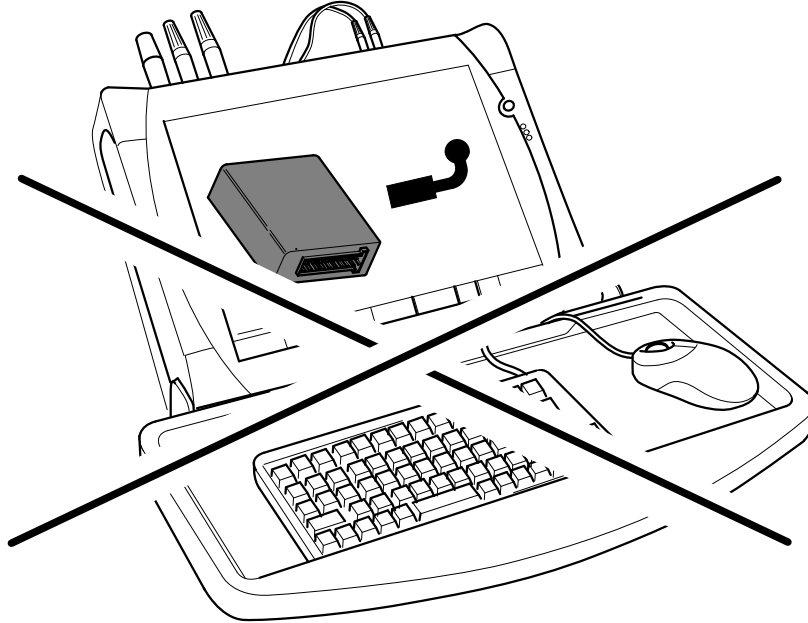


### Trailer Brake Preparation

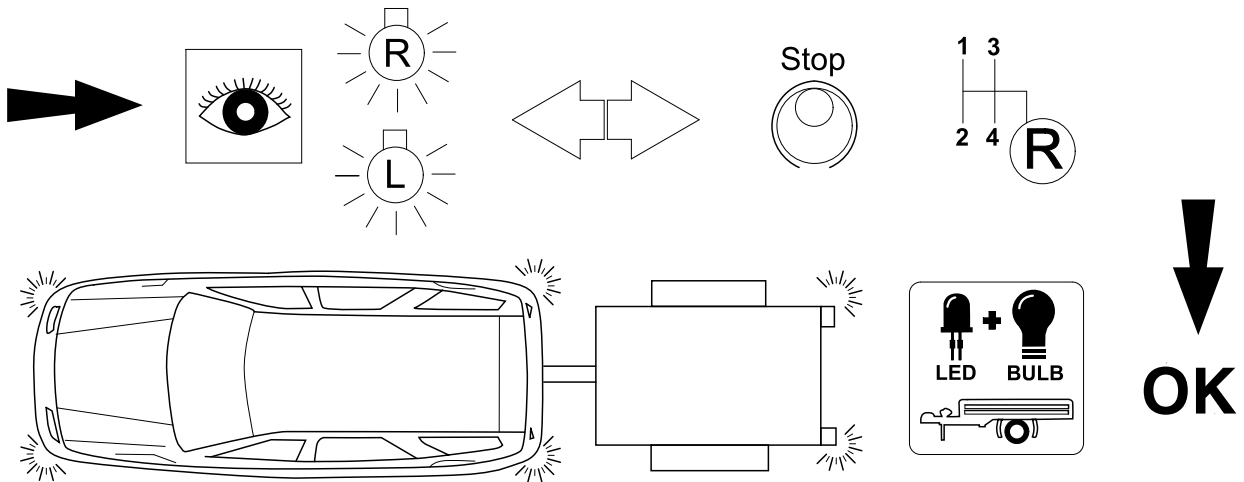




# ISTA/P Do not initialize Trailer Modul



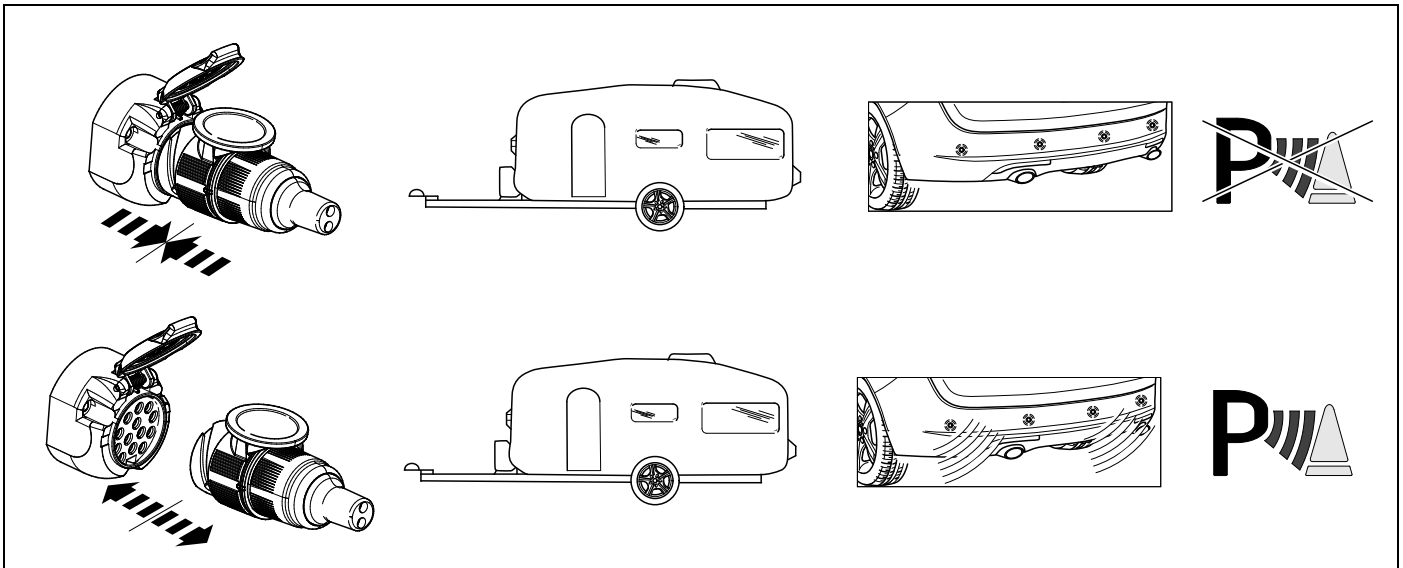
## 55 CHECK ALL LIGHTING FUNCTIONS



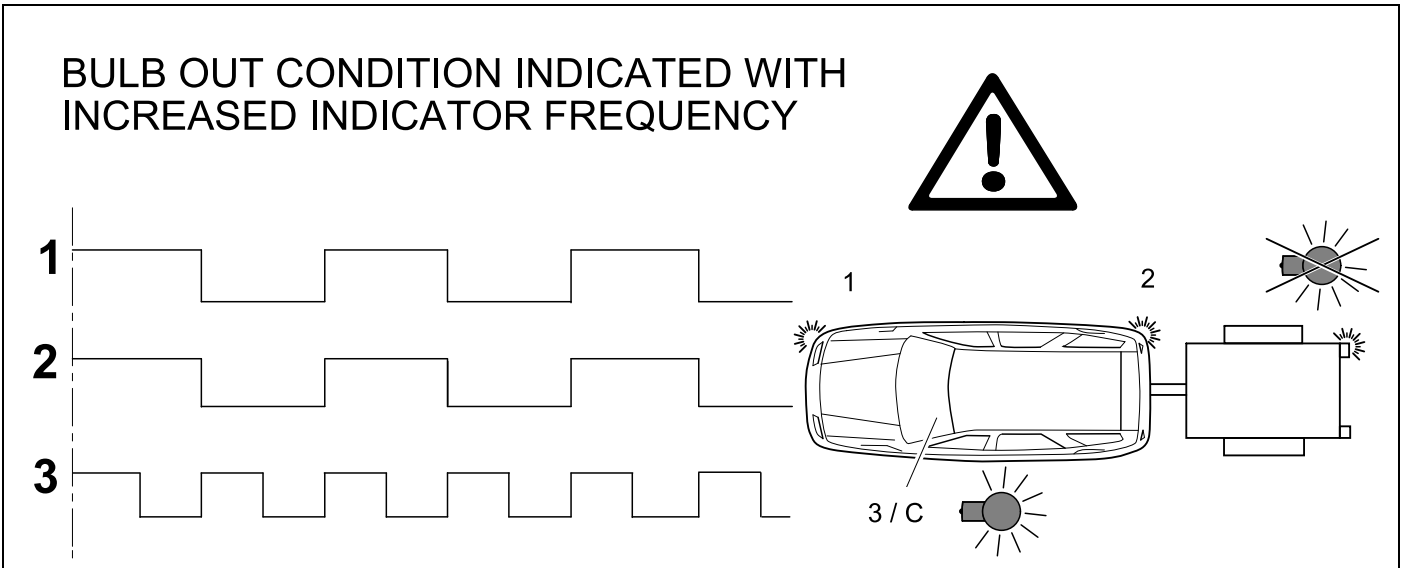


# 56 CHECK

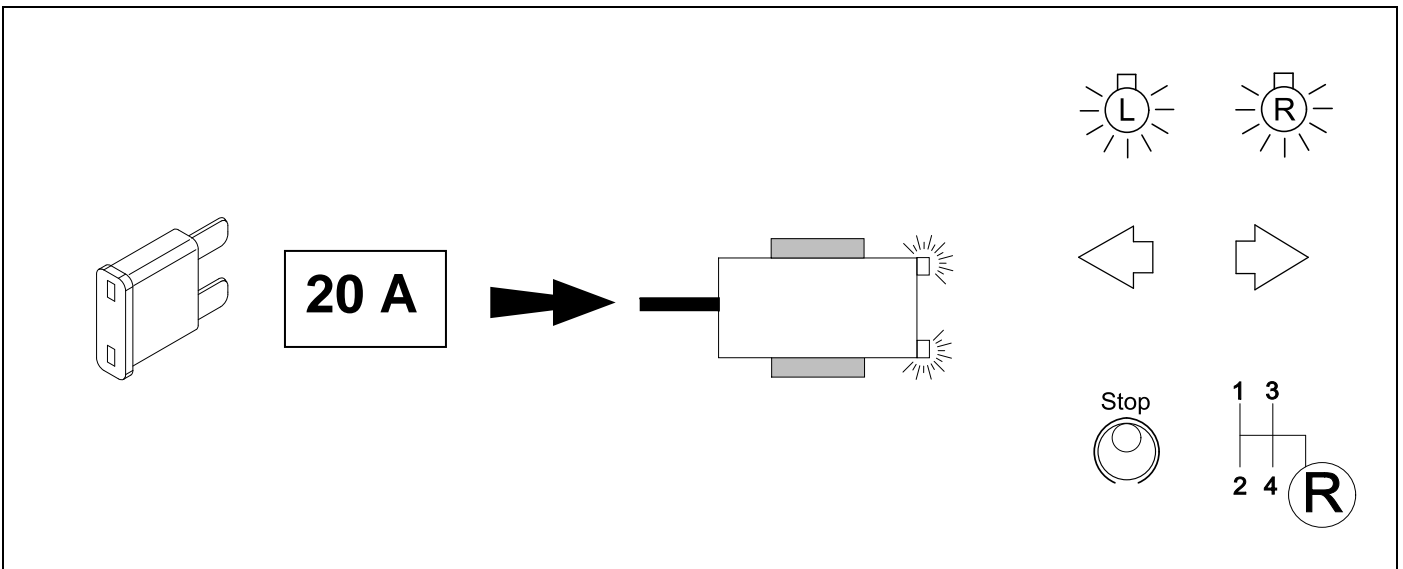
# PDC

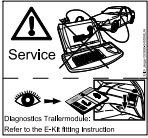


# 57 CHECK BULB OUT DETECTION

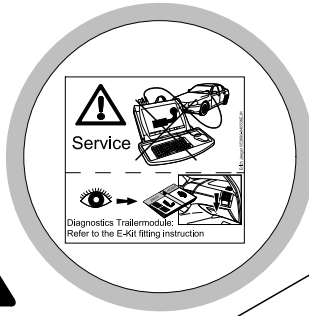


# 58

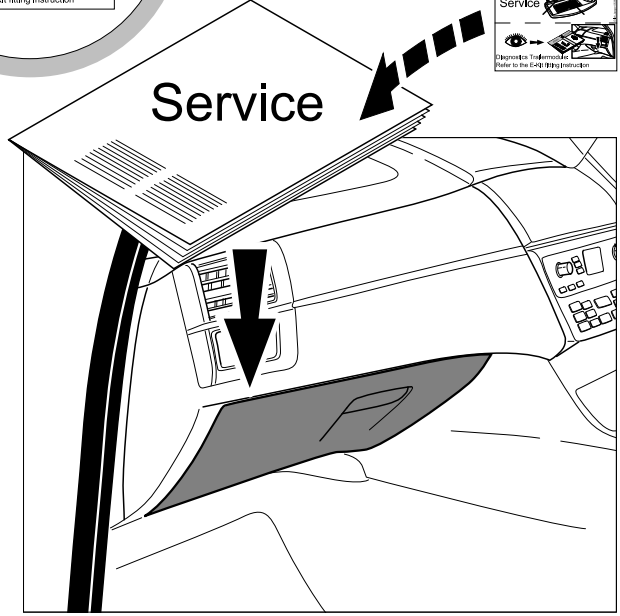
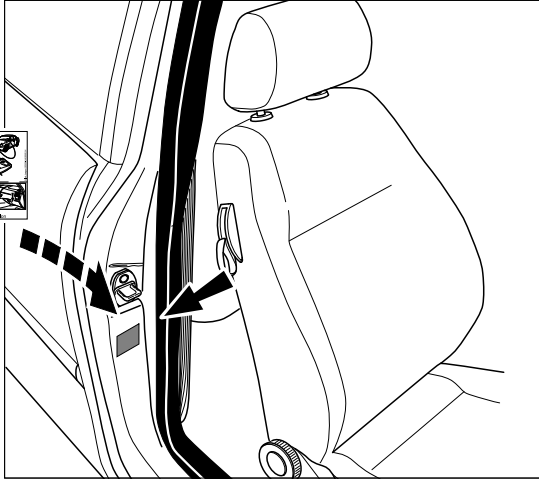




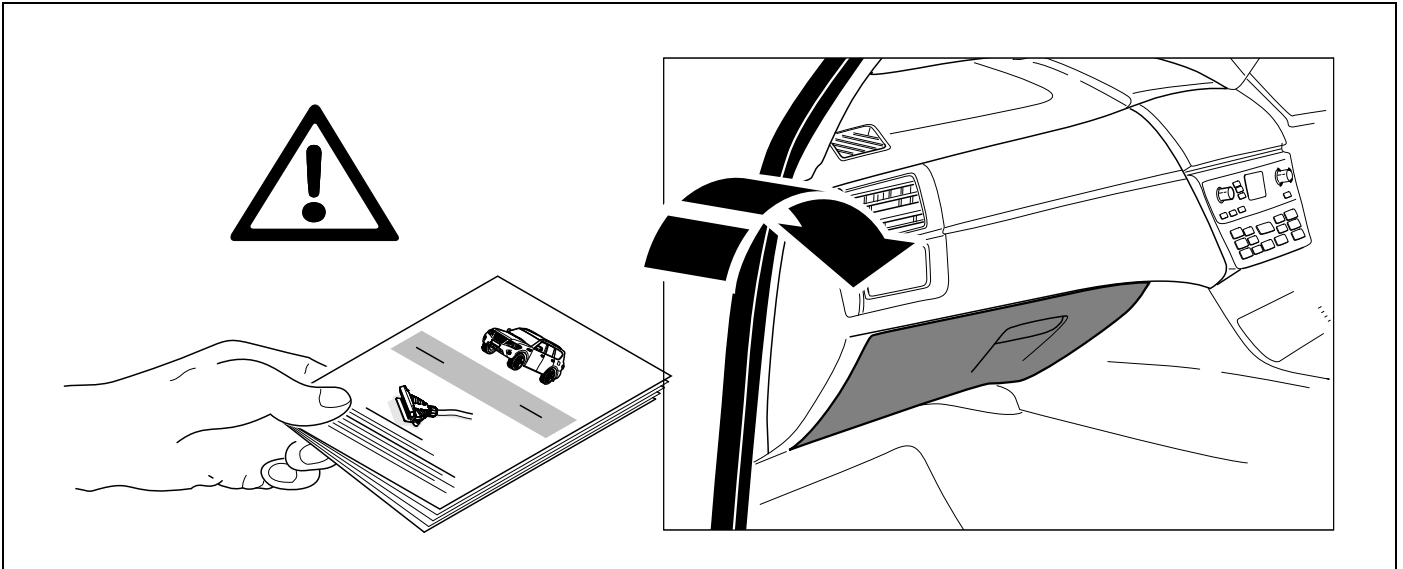
2x 6



Service







Subject to change in terms of construction, equipment and colour, and may contain errors.  
The information and illustrations are non-binding.

Scan this for our full E-Kit catalogue

