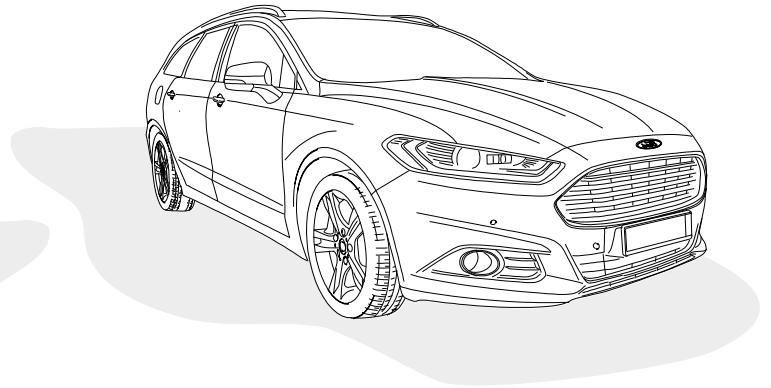
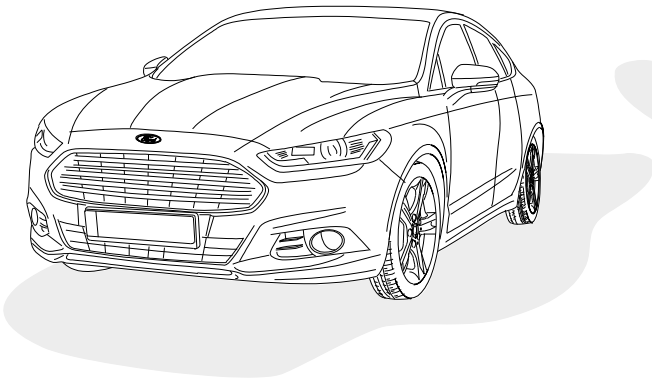




ERICH JAEGER

Installation instructions



750012EJ

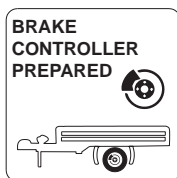
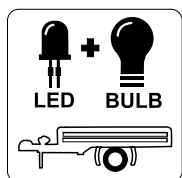
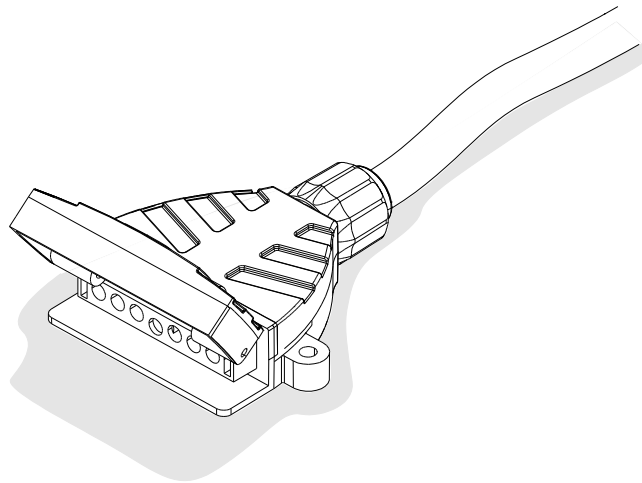
FORD Mondeo Sedan
FORD Mondeo Wagon

10/14 >>

10/14 >>



SCAN FOR
LATEST
INSTRUCTIONS



APPROVED, CERTIFIED AND TESTED WITH



SPECTRUM™
BRAKE CONTROL



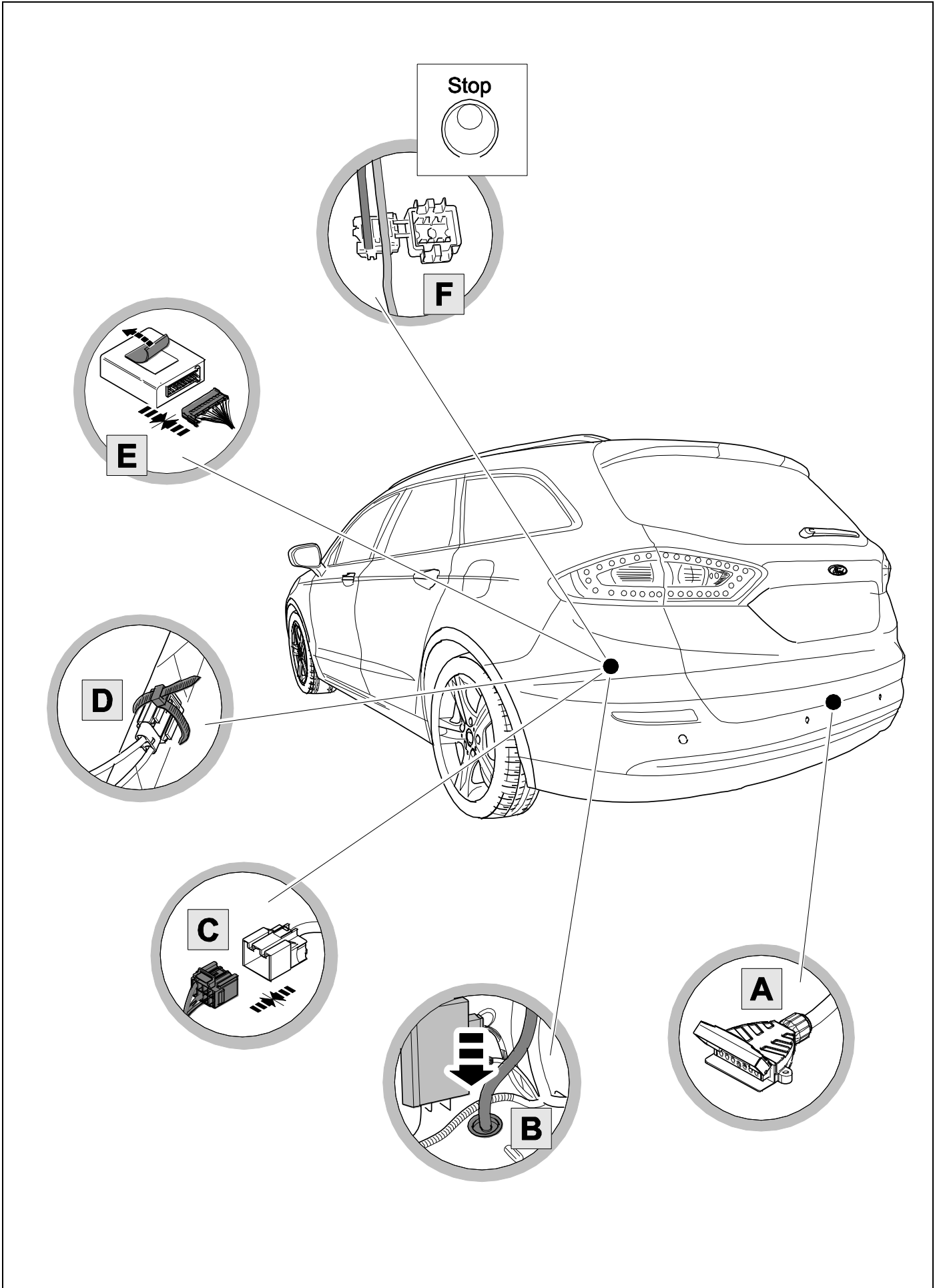
Reference:

The following information must be reviewed before beginning the assembly:

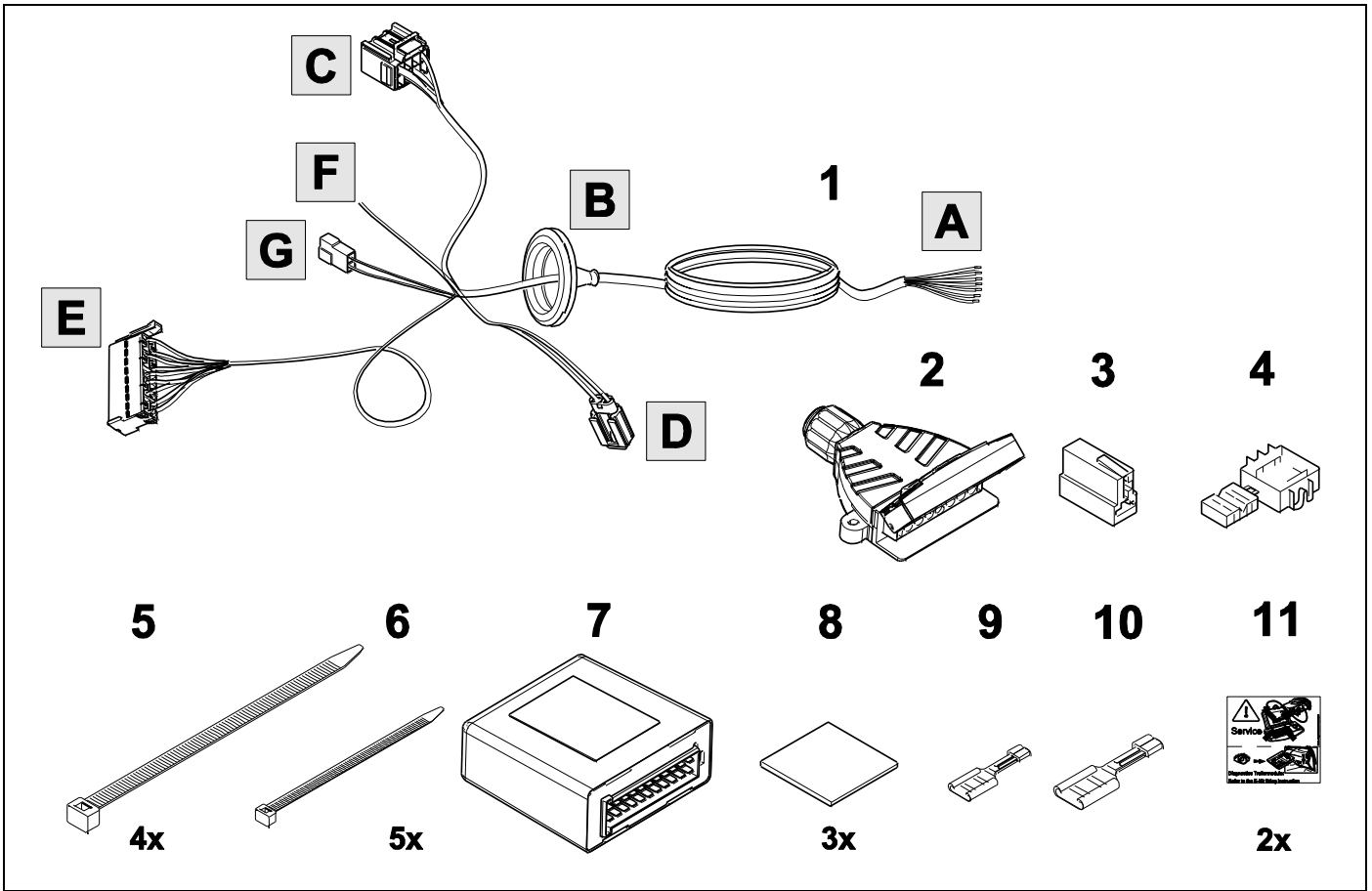
The installation instructions are to be thoroughly read.

The installation should be carried out by qualified personnel with the relevant technical knowledge. The vehicle manufacturers' current technical notices and information on retrofitting must be followed. The removal and replacement instructions found in the current repair manuals must be followed.

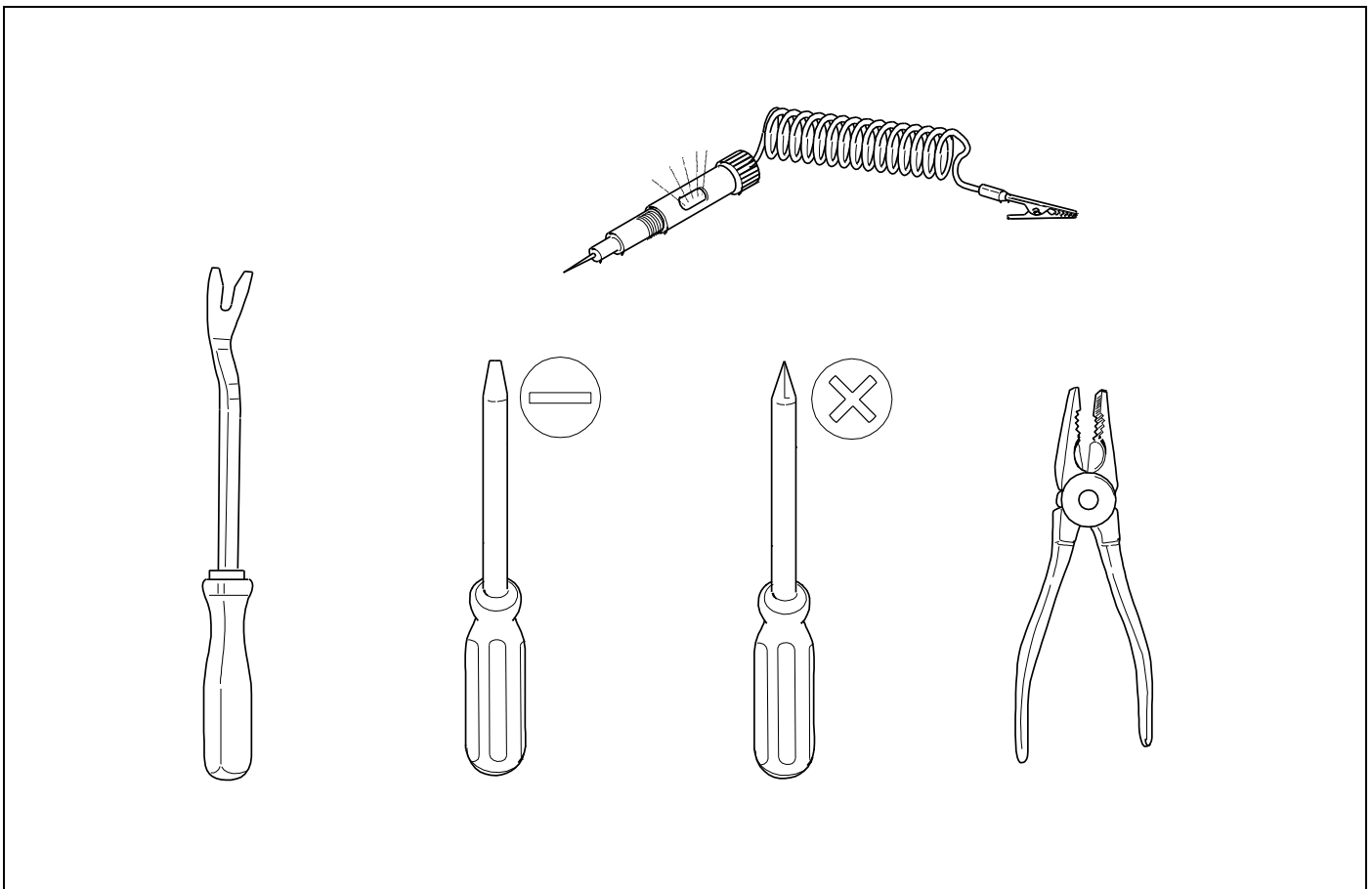
It must be ensured that the vehicle is technically suitable for the installation of a trailer hitch.



KIT



TOOLS



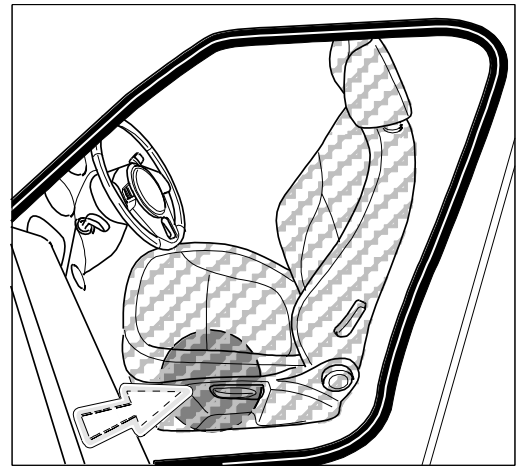
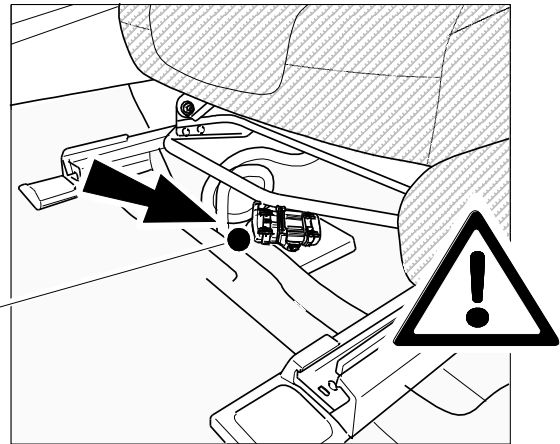
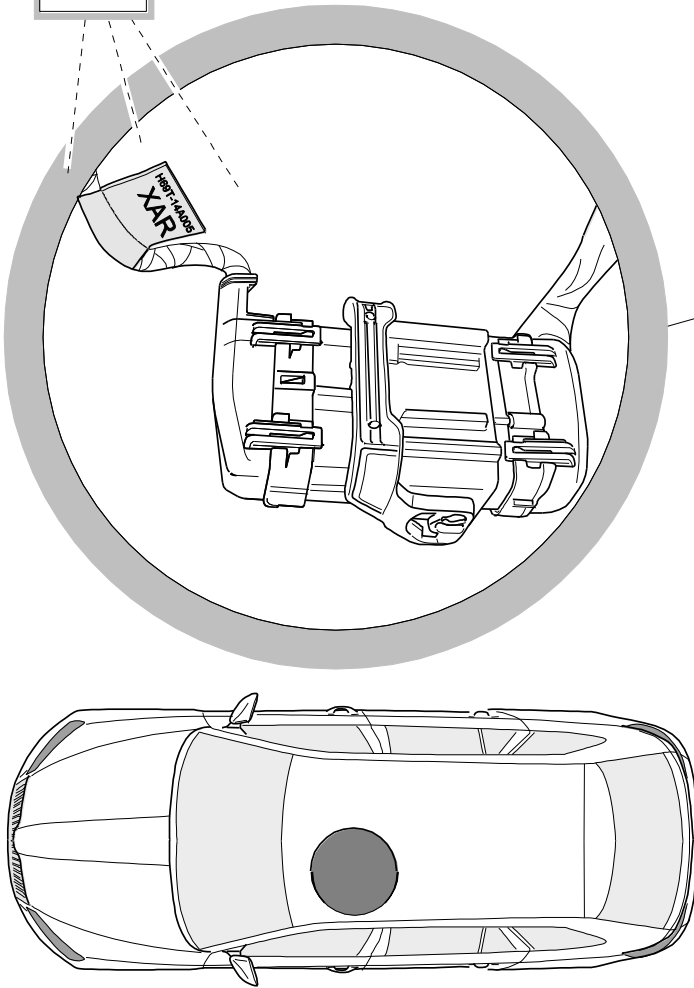
1

Check before beginning of installation



2

CAN

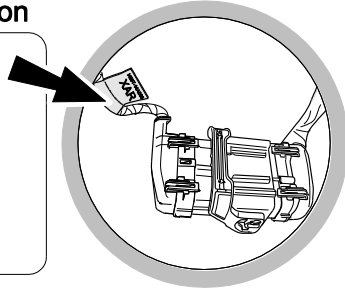


Check before beginning of installation

OPTION 1

Without Trailer preparation

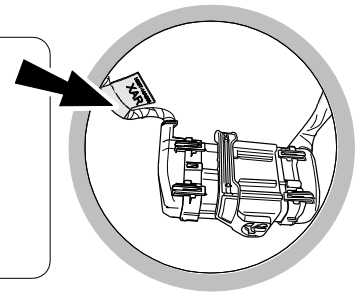
H69T-14A005

XAR

OPTION 2

With Trailer preparation

H69T-14A005

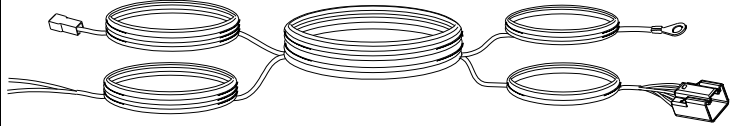
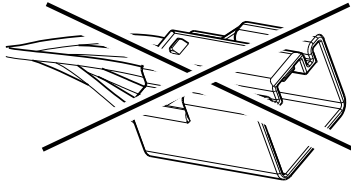
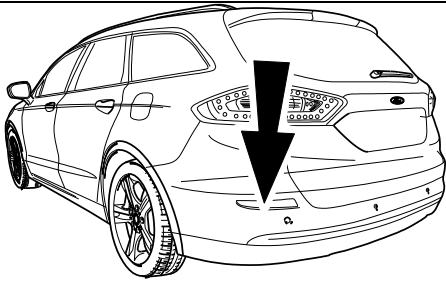
XAR

XA*	KX*	TT*	TE*
XE*	RE*	XT*	TH*
XF*	RR*	XZ*	TJ*
XR*	RX*	YA*	TM*
XS*	TG*	YR*	ZU*
XV*	TK*	YS*	ZZ*
EV*	TL*	ZH*	HT*
FB*	HL*	ZV*	HZ*
FC*	HM*	EU*	JT*
FF*	HS*	EX*	JV*
FJ*	HU*	EZ*	JZ*
LR*	HV*	FU*	NM*
LS*	HX*	UB*	NN*
UC*	JK*	UH*	NP*
UD*	JL*	UK*	NR*
UE*	JM*	UL*	NS*
UF*	JU*	KP*	NV*
UG*	JX*	KR*	NX*
UJ*	JY*	KT*	NY*
UN*	VA*	RA*	TB*
UP*	VE*	RG*	MN*
UR*	VF*	RS*	MP*
US*	VG*	RT*	MR*
UT*	VH*	RU*	MS*
KE*	VJ*	RV*	NE*
KF*	VK*	RY*	NF*
KU*		SG*	NH*
KV*		SH*	NJ*

3

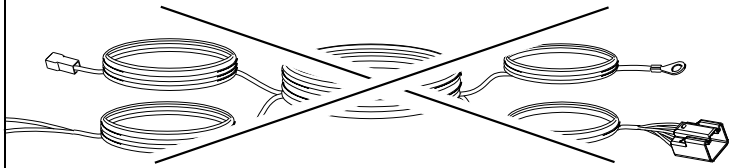
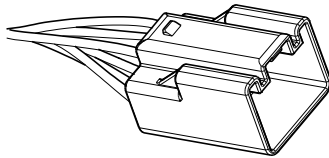
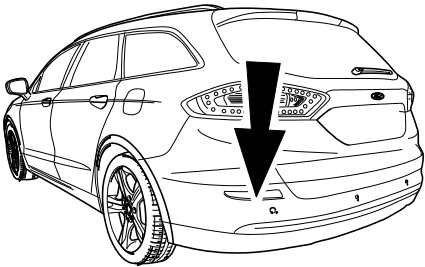
OPTION 1

Kit is not needed

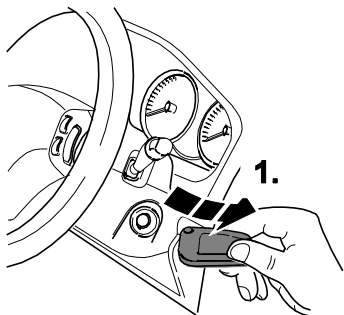


OPTION 2

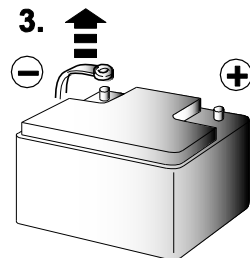
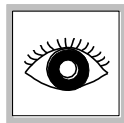
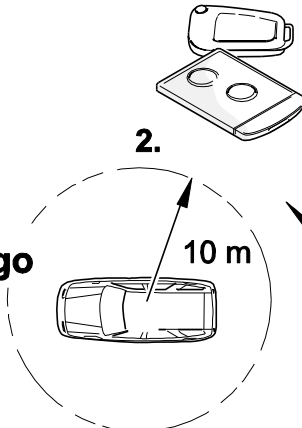
ERICH JAEGER part number: **721128**

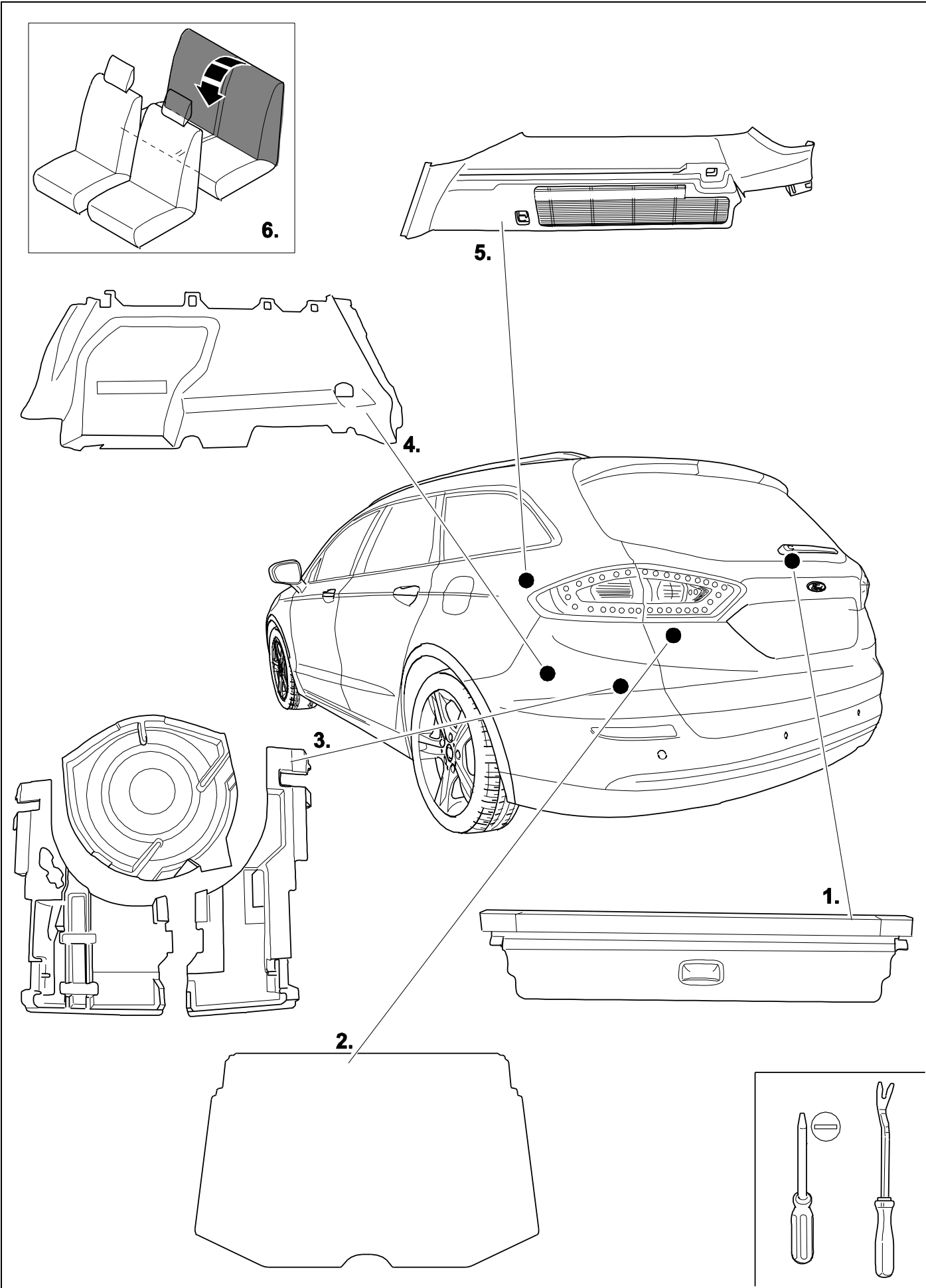


4

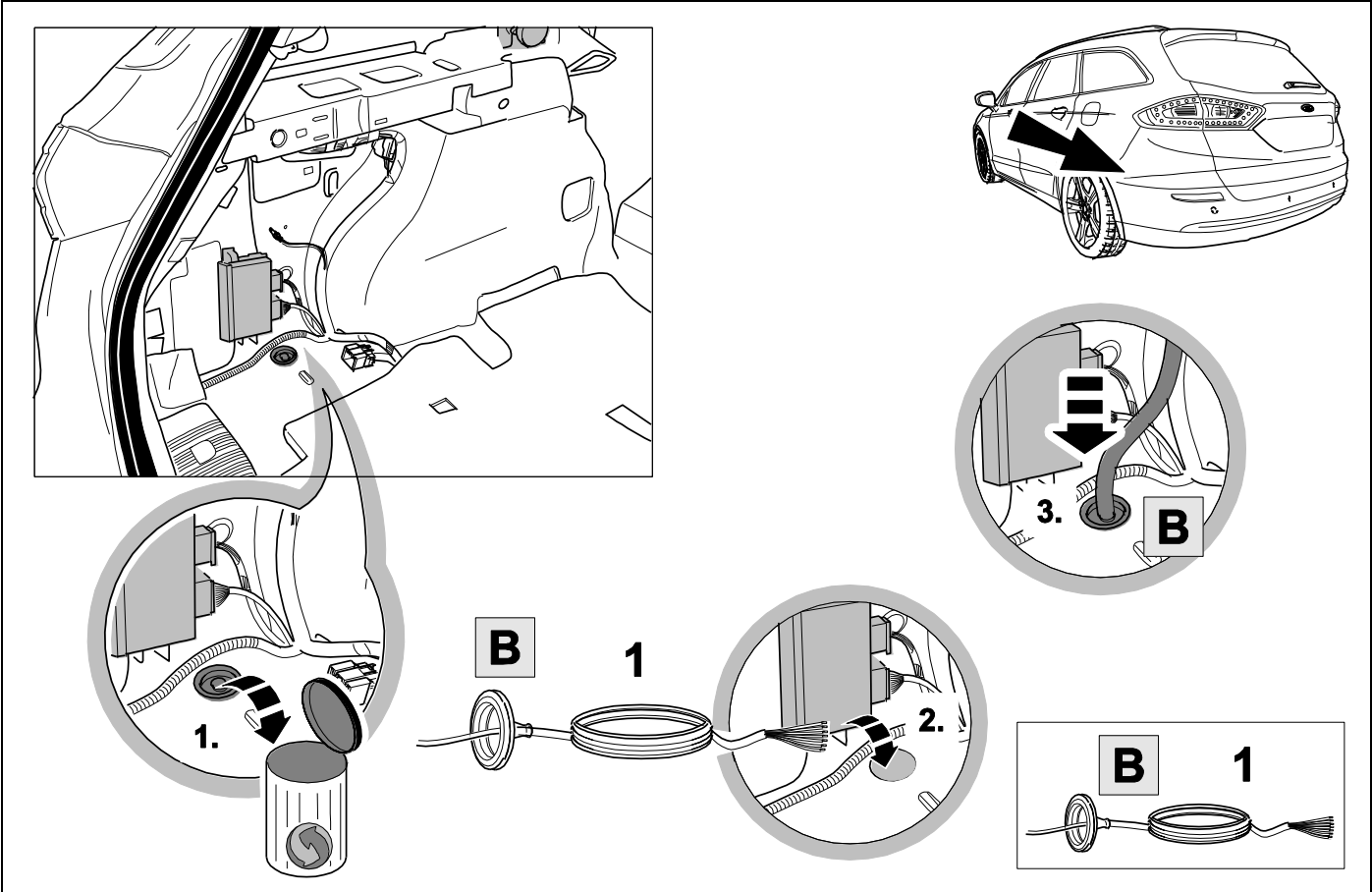


Keyless-go

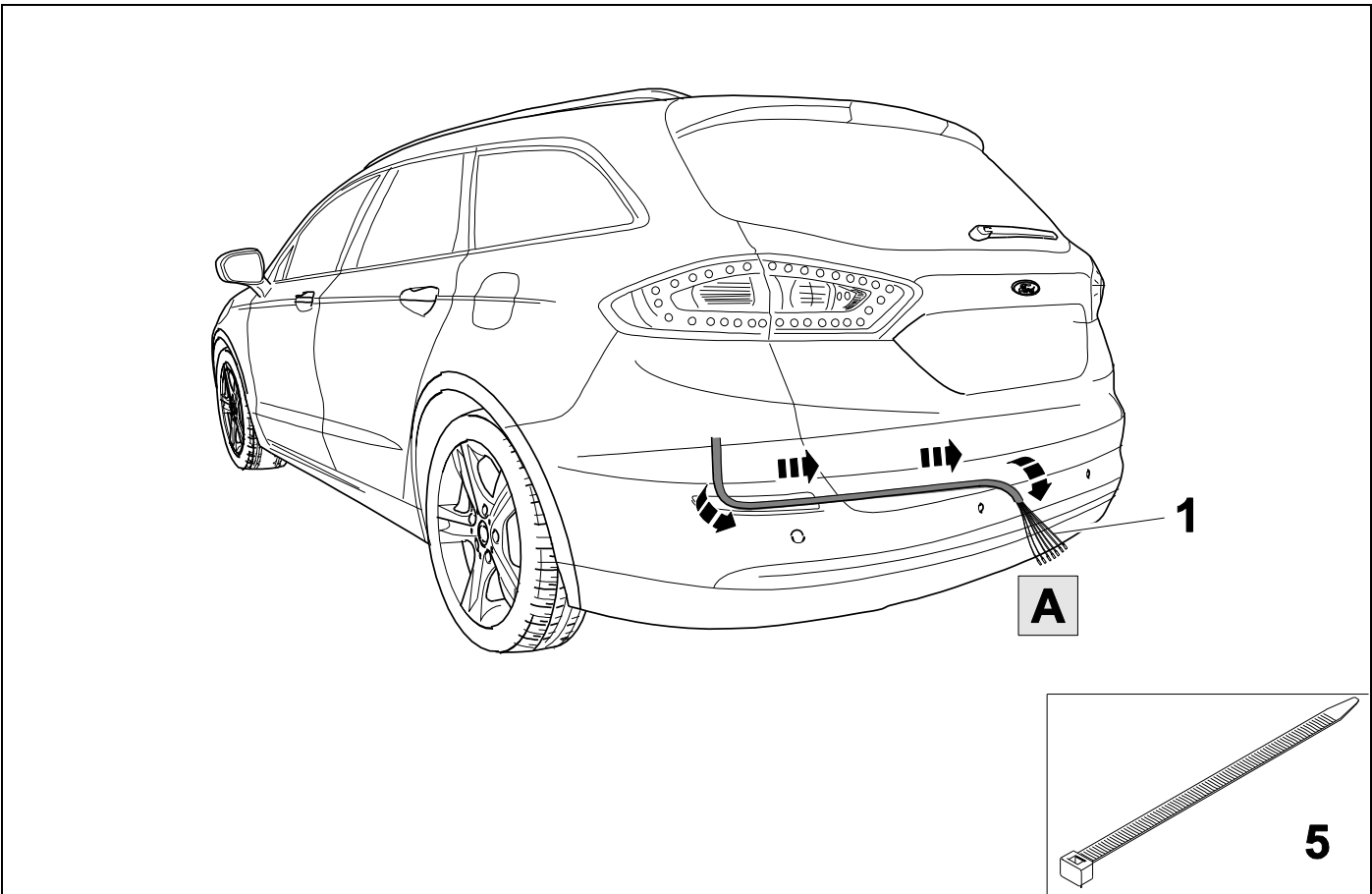




6



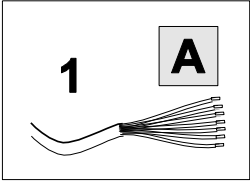
7



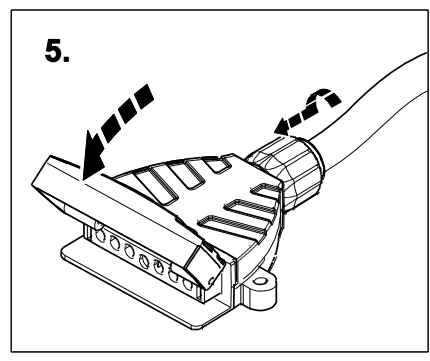
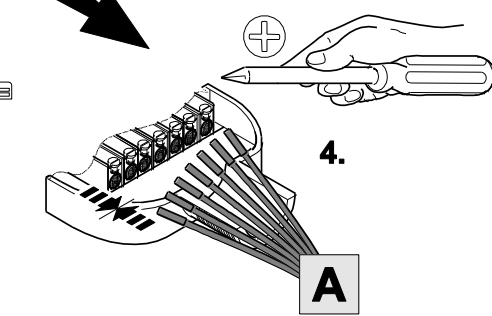
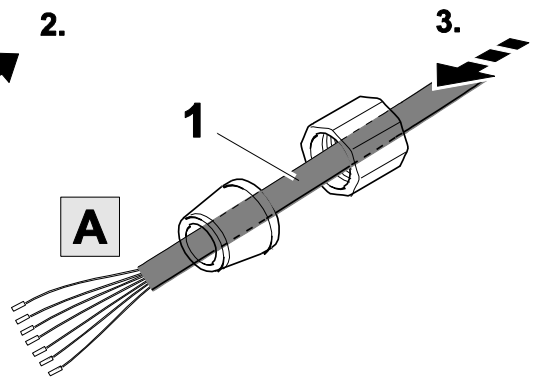
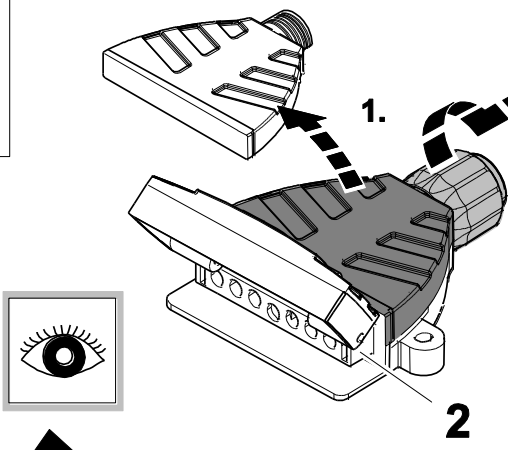
8



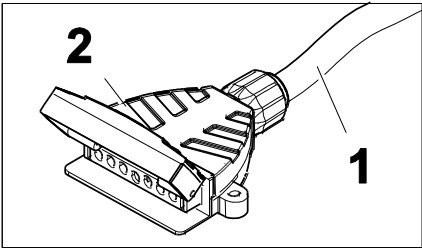
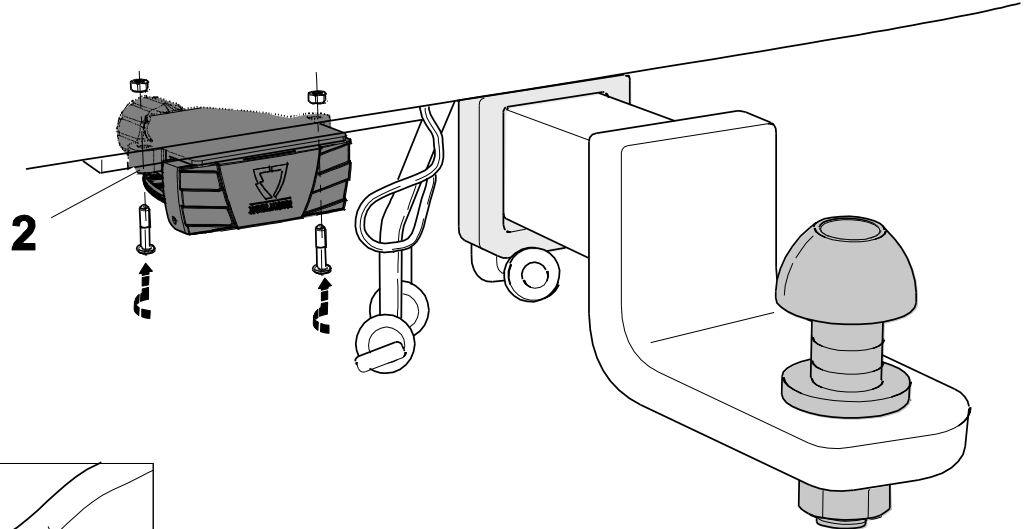
10



gn	4	
bn	7	
bk	2	
wh	3	
bu	5	
rd	6	
ye	1	



9



10

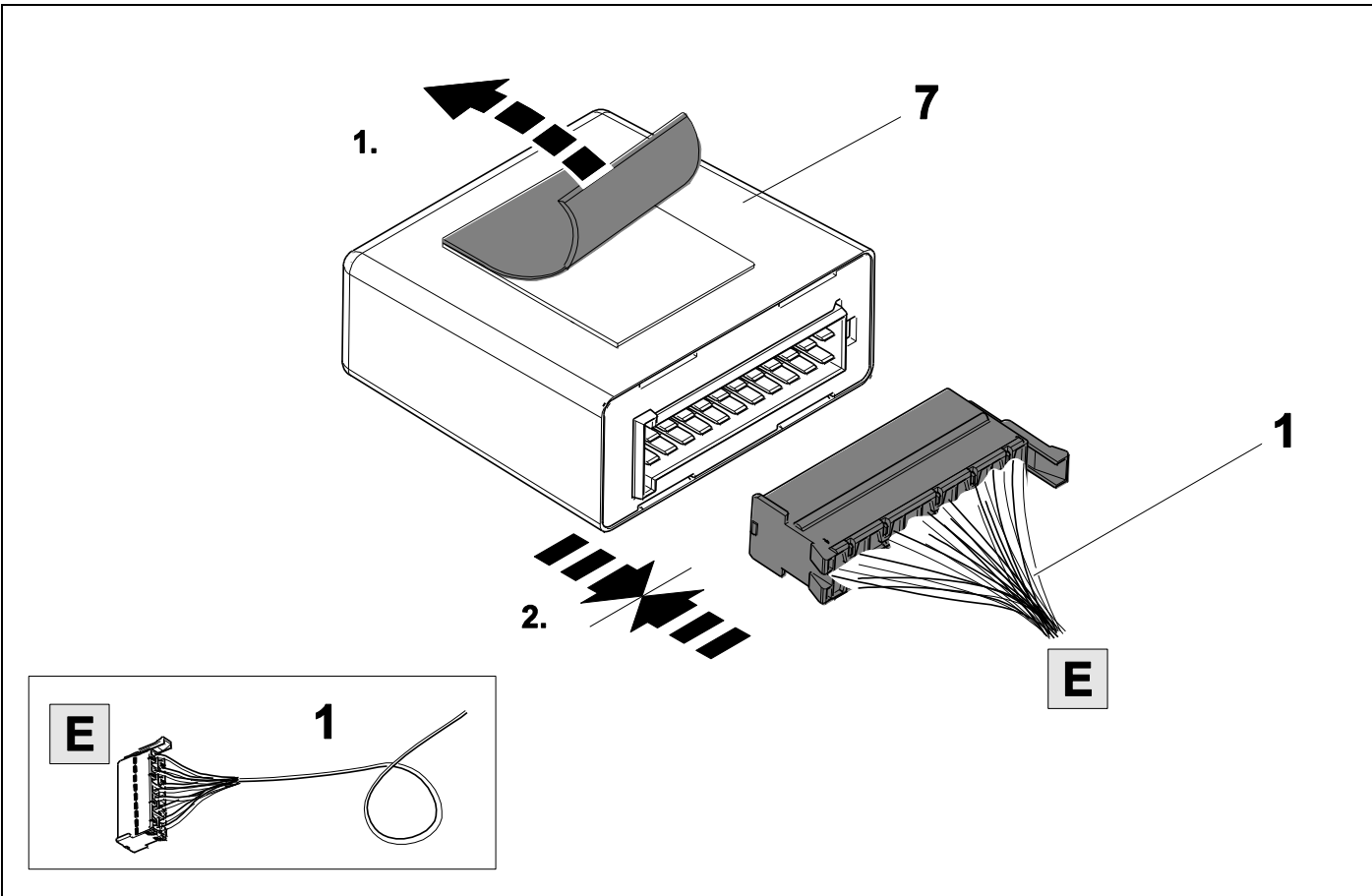
👁️ ⇒ 11

1	ye	←
2	bk	1 3 2 4 (R)
3	wh	⏏
4	gn	→
5	bu	🔑
6	rd	Stop 🛑
7	bn	💡

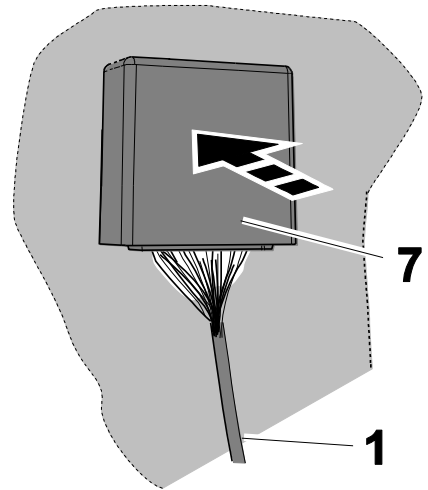
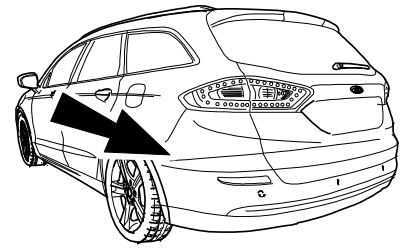
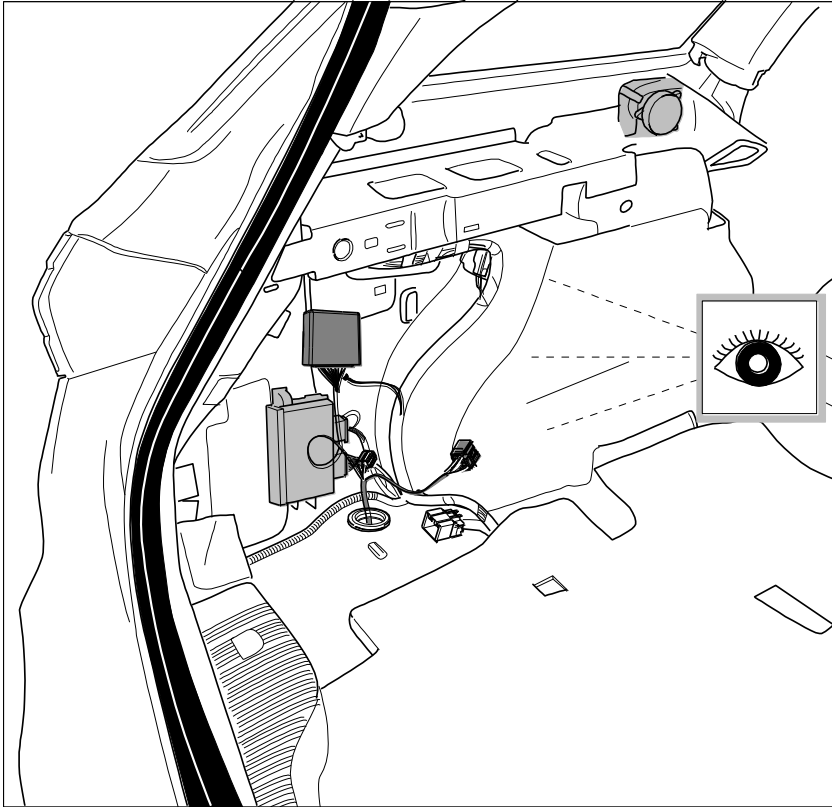
11	bk	wh	gy	gn	rd	bu	ye	bn	pu	or	no
----	----	----	----	----	----	----	----	----	----	----	----

(GB)	black	white	grey	green	red	blue	yellow	brown	purple	orange	not occupied
------	-------	-------	------	-------	-----	------	--------	-------	--------	--------	--------------

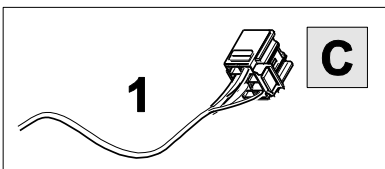
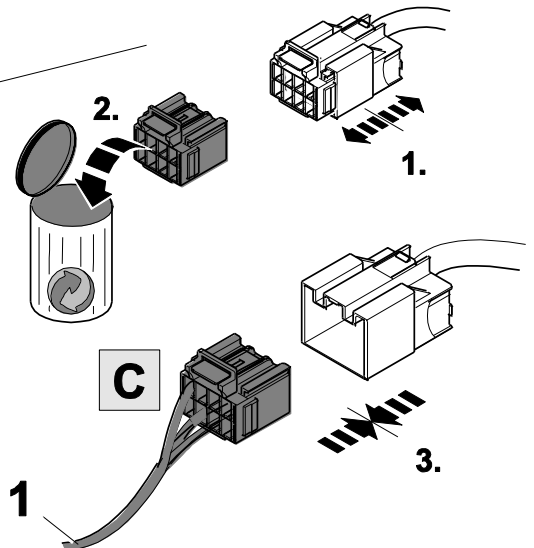
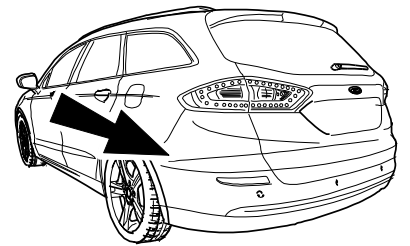
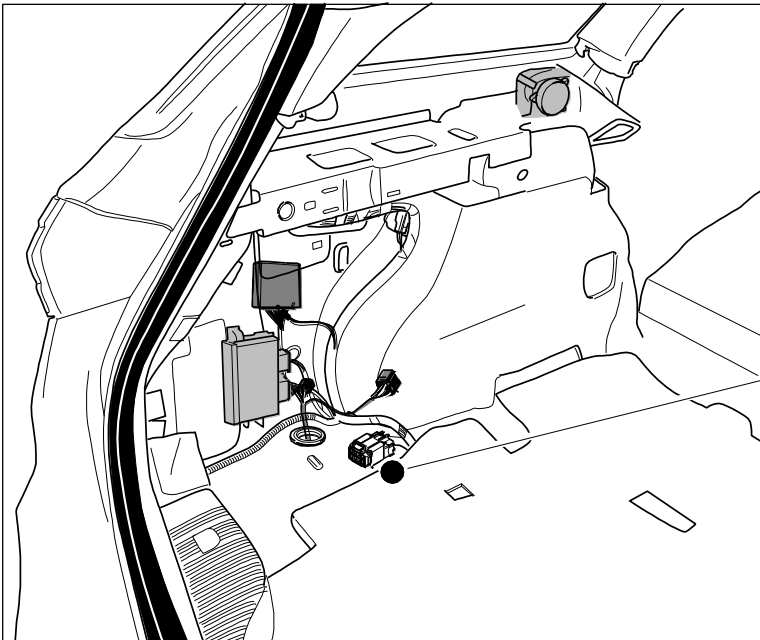
12

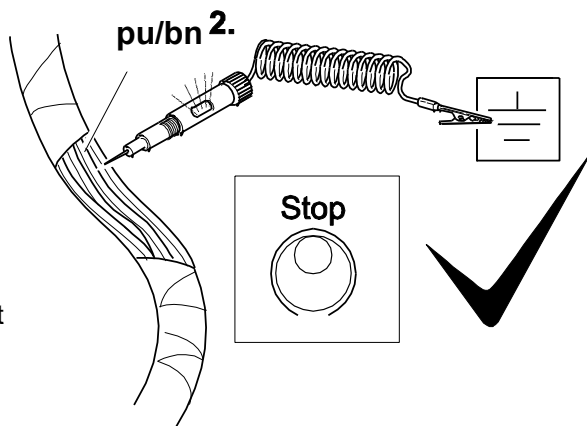
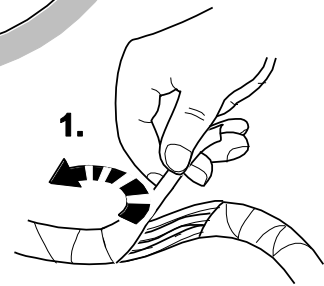
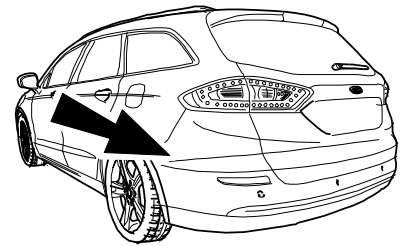
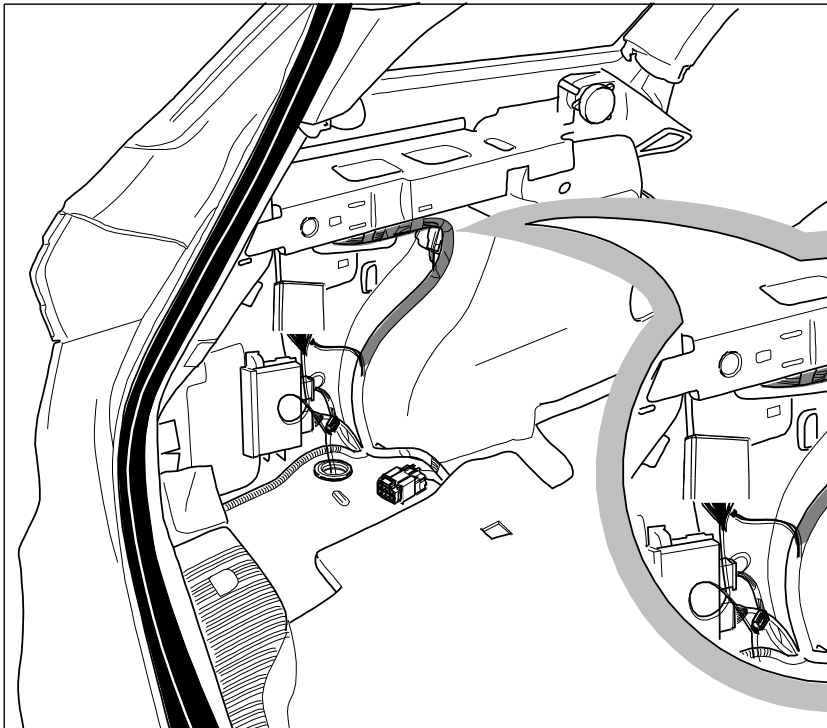


13

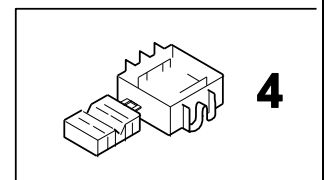
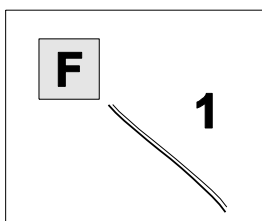
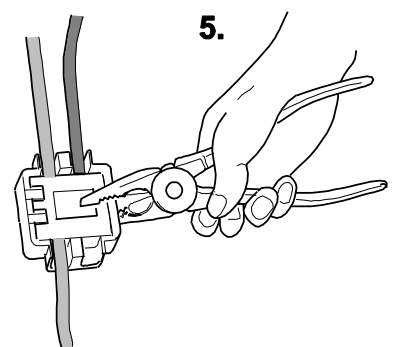
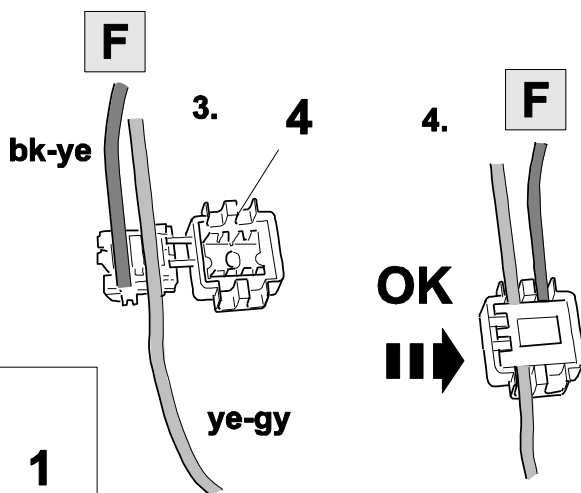


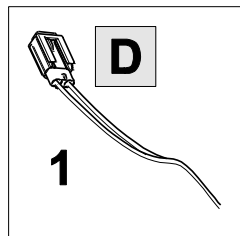
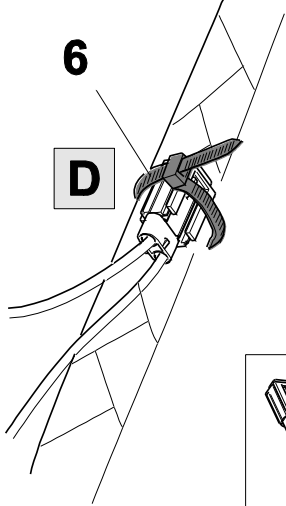
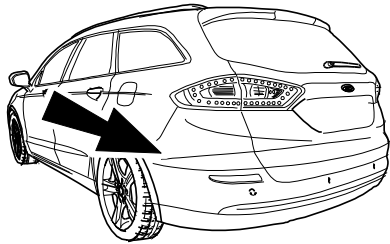
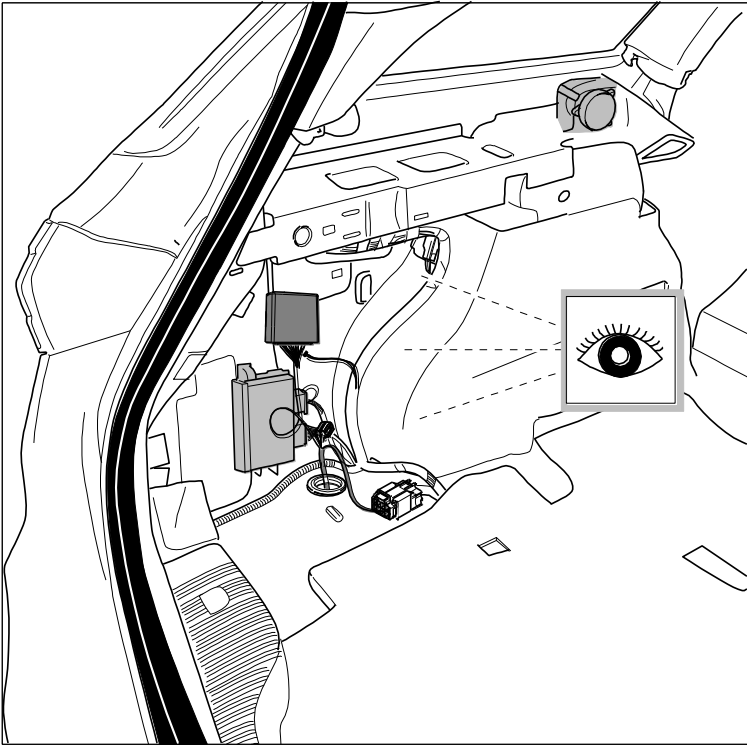
14





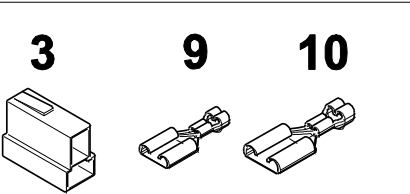
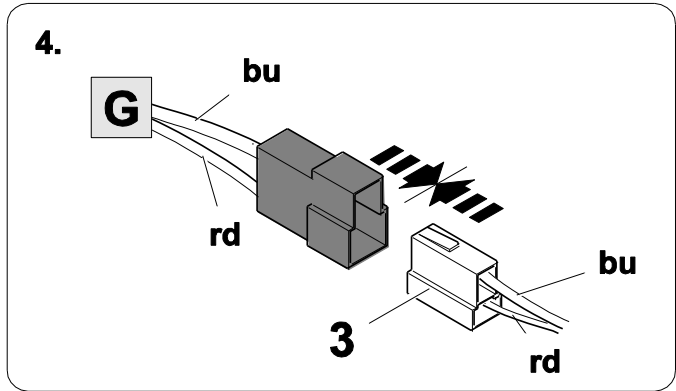
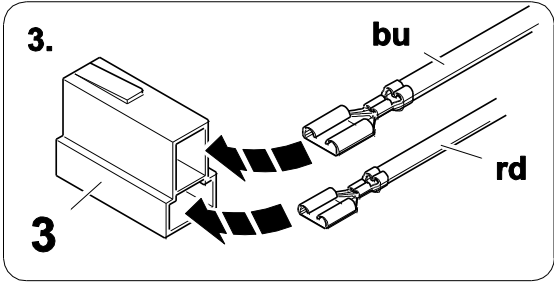
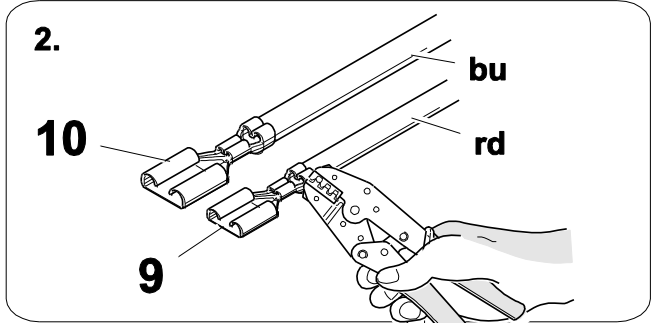
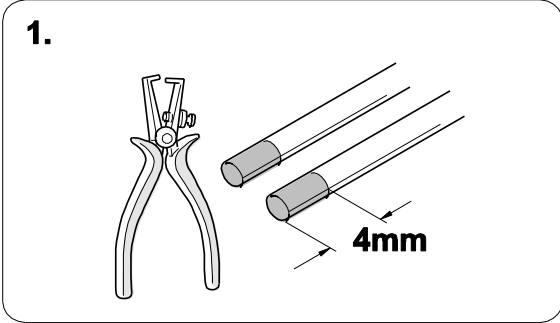
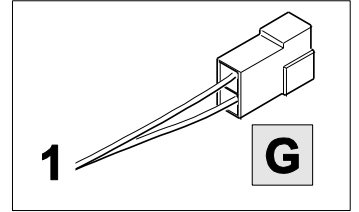
Wire colors might vary from model to model. Please check correct wire with test probe.





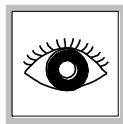
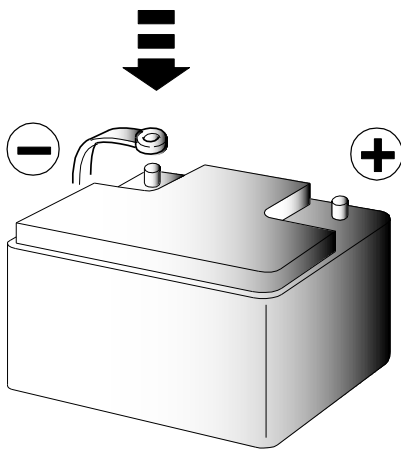


Trailer Brake Preparation



APPROVED, TESTED AND CERTIFIED TO BE USED WITH THE SPECTRUM BRAKE CONTROLLER.

USE OUR BRAKE CONTROLLER CONNECTION HARNESS 529008EJ



19 CHECK ALL LIGHTING FUNCTIONS

OK → 21 ⇒ 26

~~OK~~ → 20 ⇒ 26

20

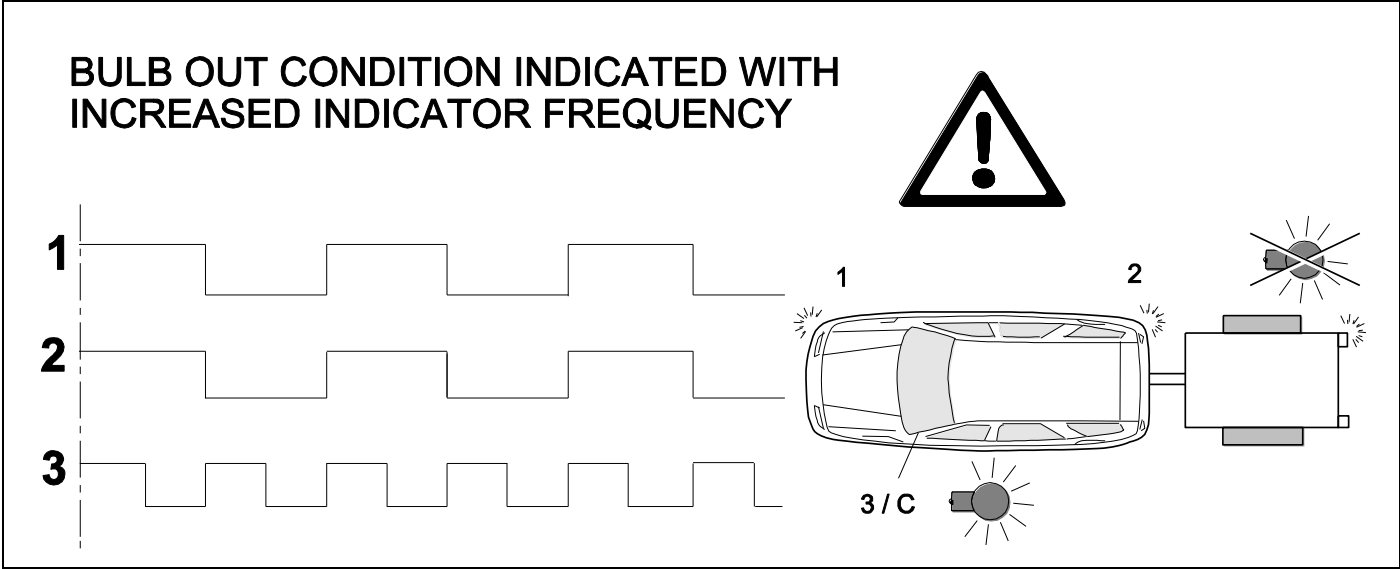
pos.78

1. 180°

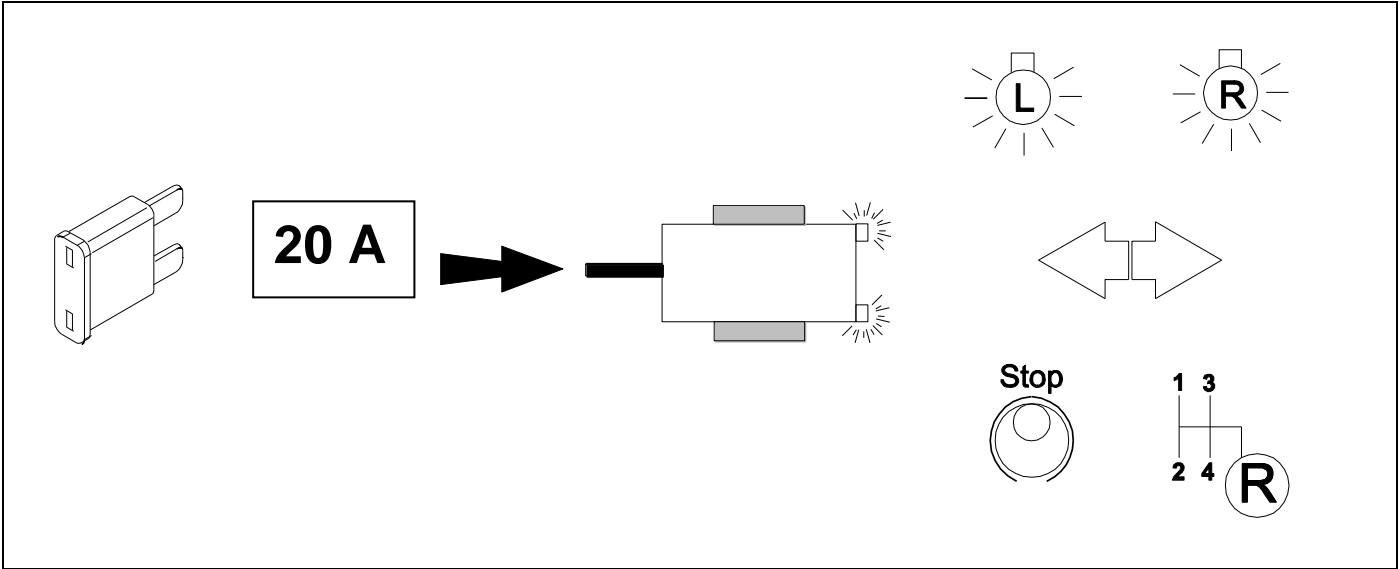
2.

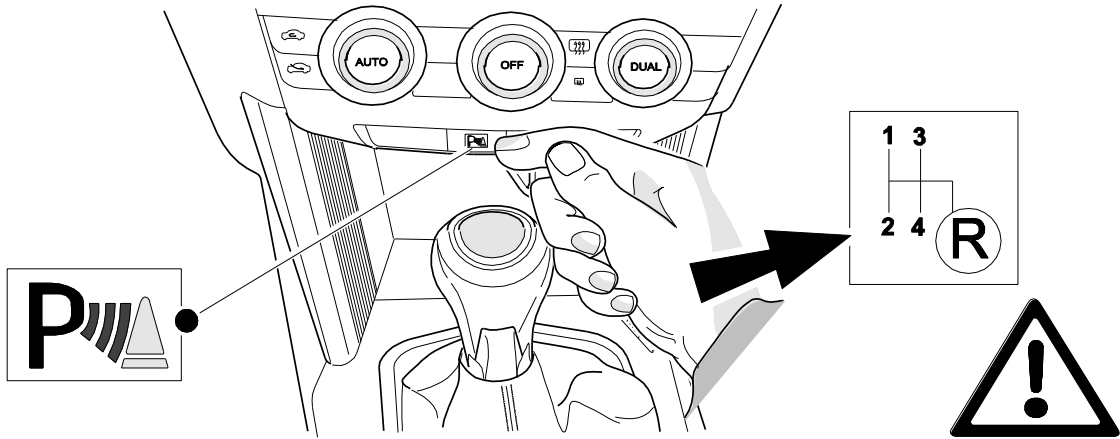
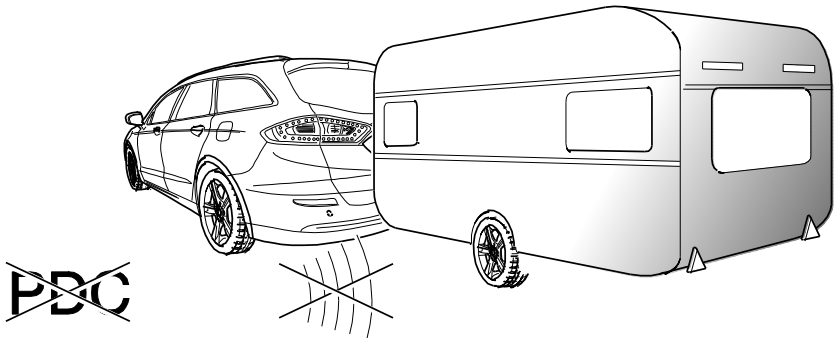
Ford Service

21 CHECK BULB OUT DETECTION



22  ⇒ **16**





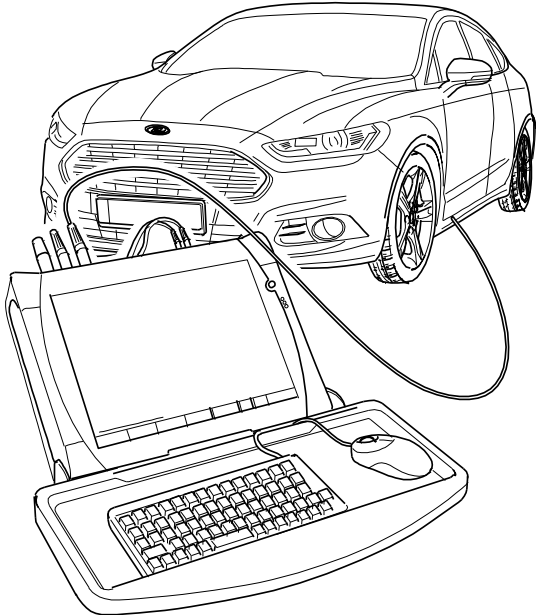
ETIS

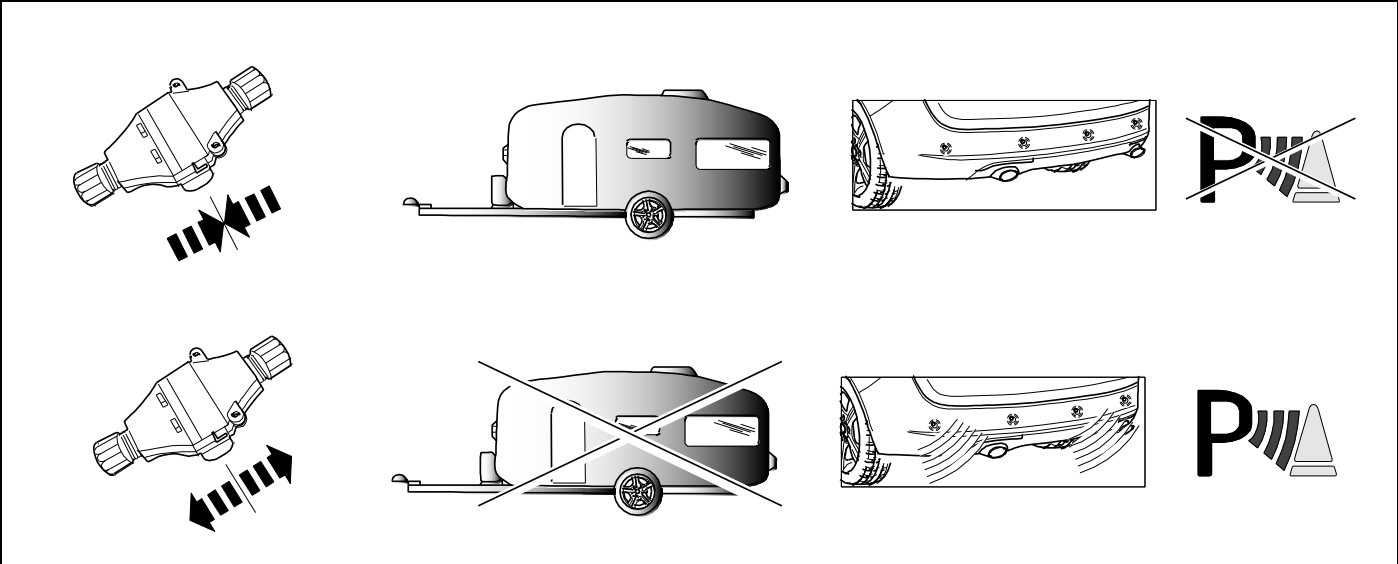
Configuration Modules

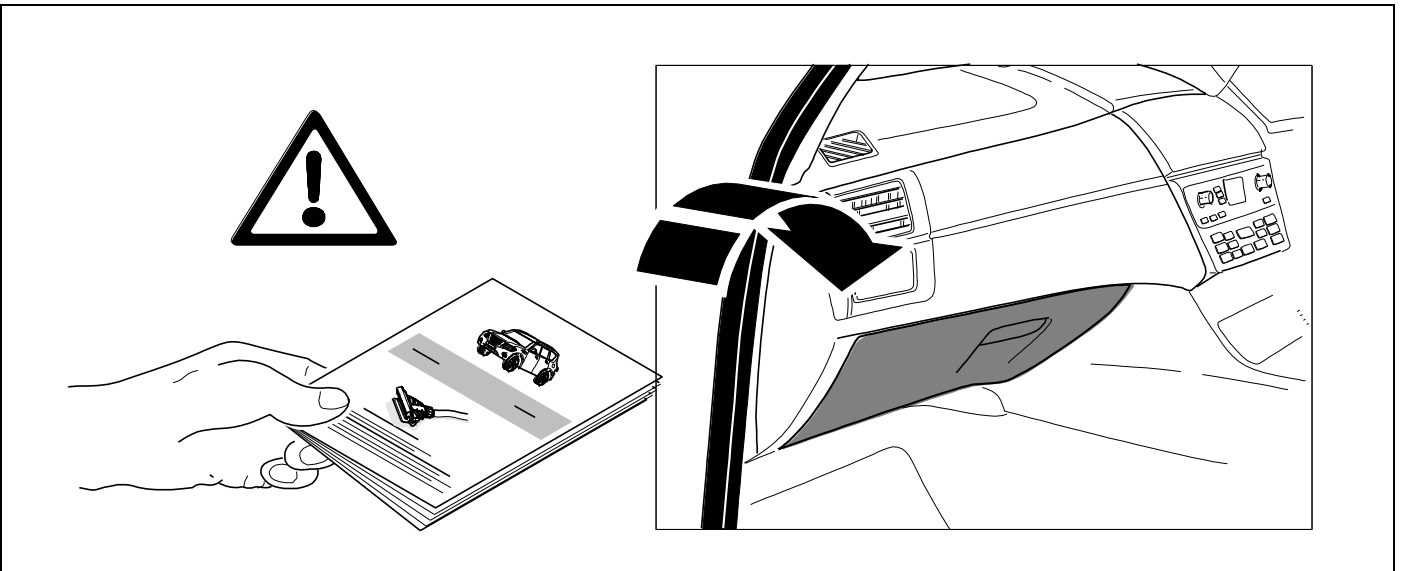
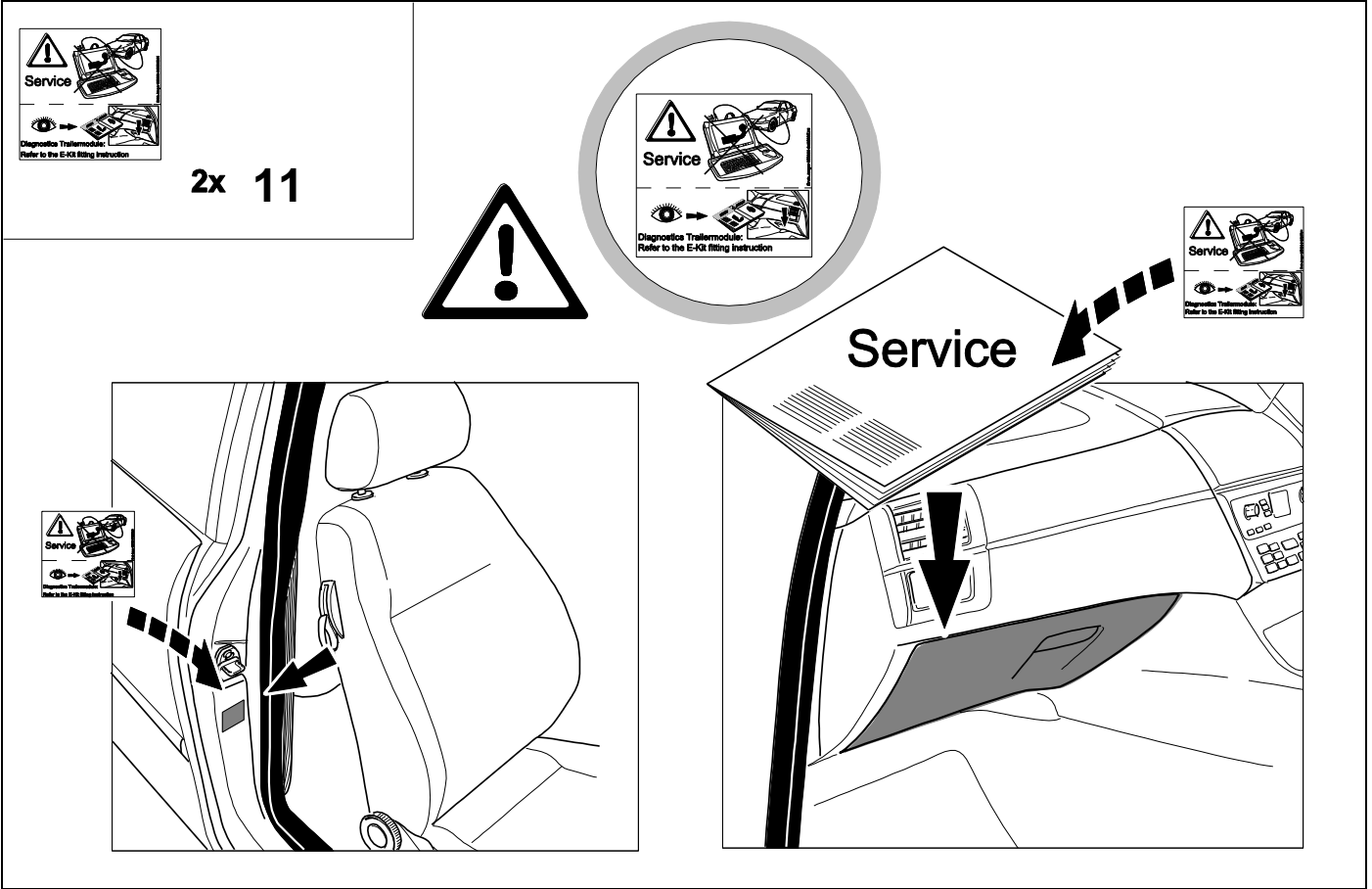
- ABS**
- APIM**
- BCMii**
- IPC**

OPTIONAL Equipment

- PAM**
- SODL**
- SODR**
- FCDIM**







Subject to change in terms of construction, equipment and colour, and may contain errors.
The information and illustrations are non-binding.