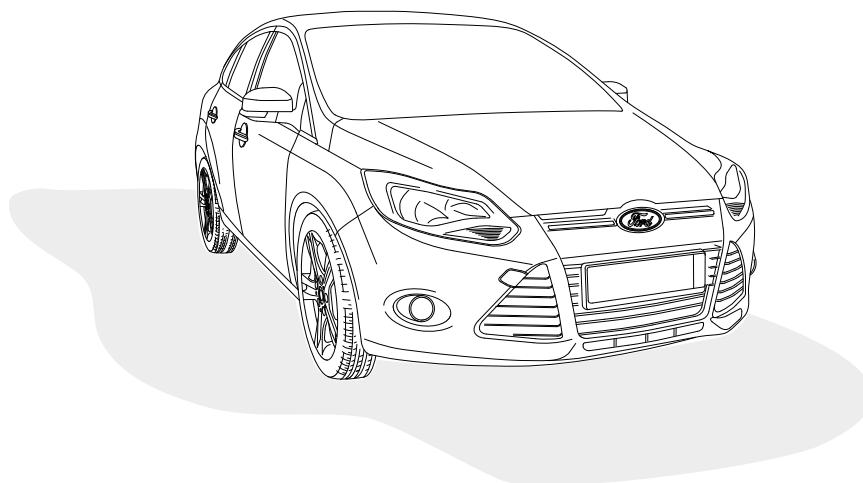
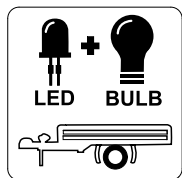




ERICH JAEGER



**FORD Focus hatchback 5-door**

**04/11 > 03/18**

**FORD Focus notchback 4-door**

**04/11 > 03/18**

**FORD Focus wagon**

**05/11 > 03/18**

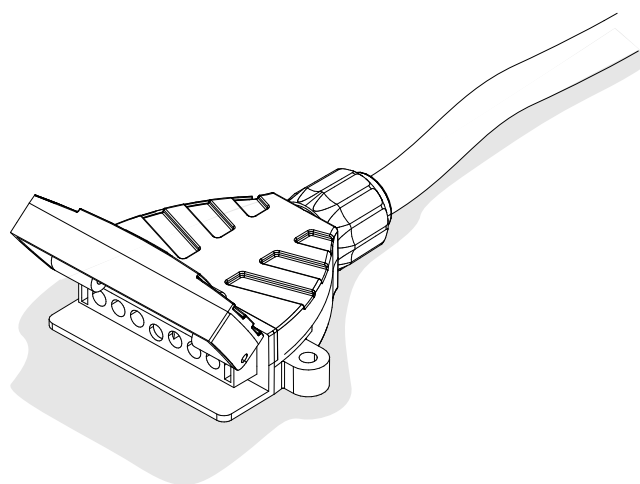
5 DDFCJ98 ŽCERTIFIED AND TESTED WITH



**SPECTRUM™  
BRAKE CONTROL**



**750016**



## Installation instructions

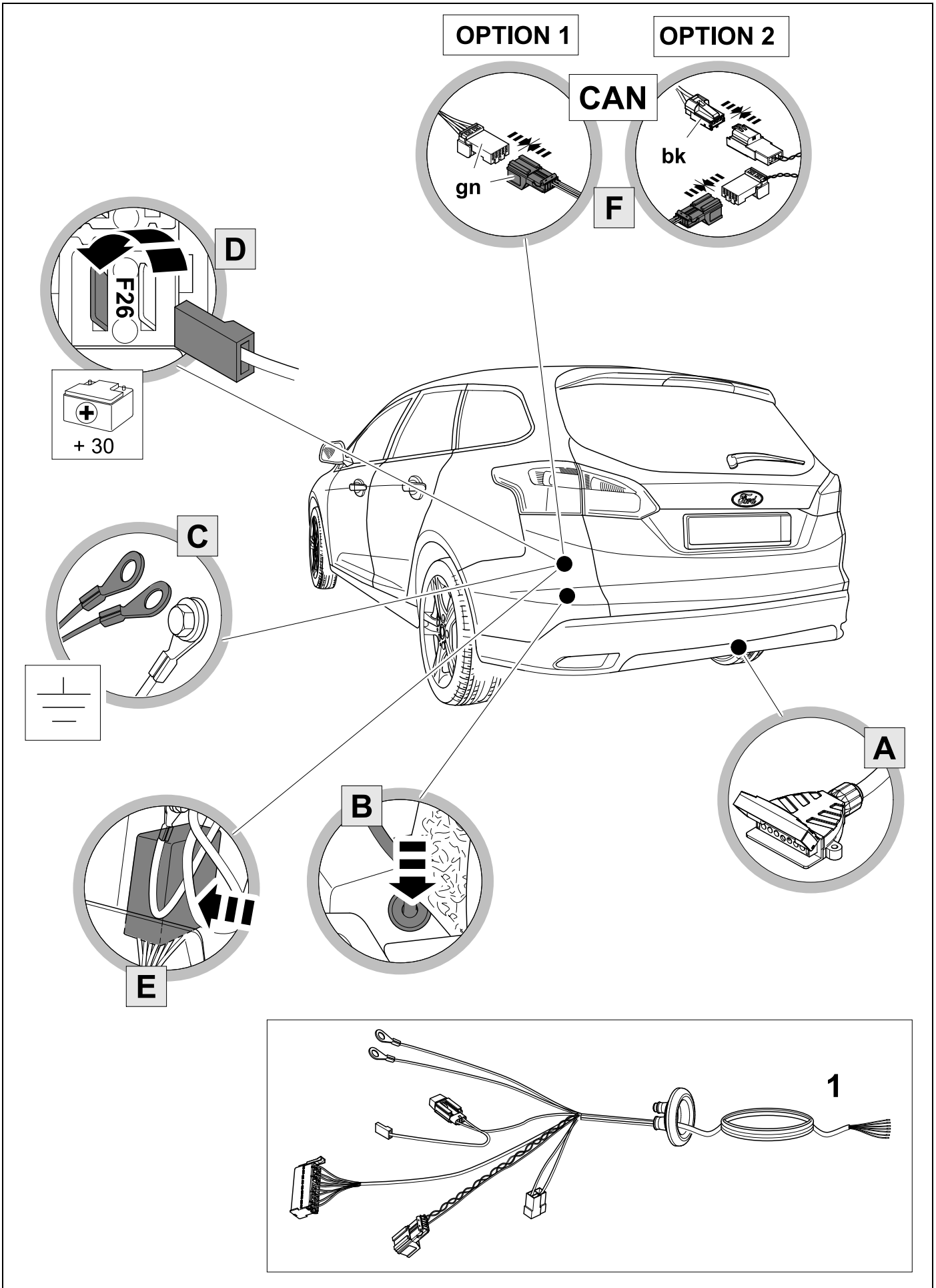
### Reference:

The following information must be reviewed before beginning the assembly:

The installation instructions are to be thoroughly read.

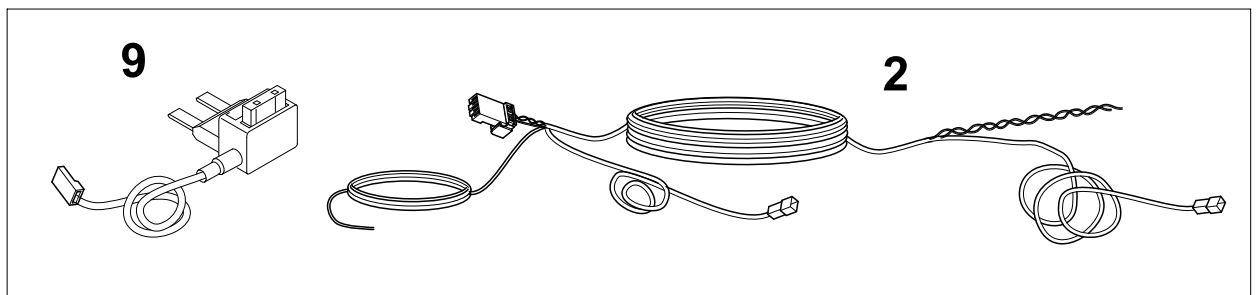
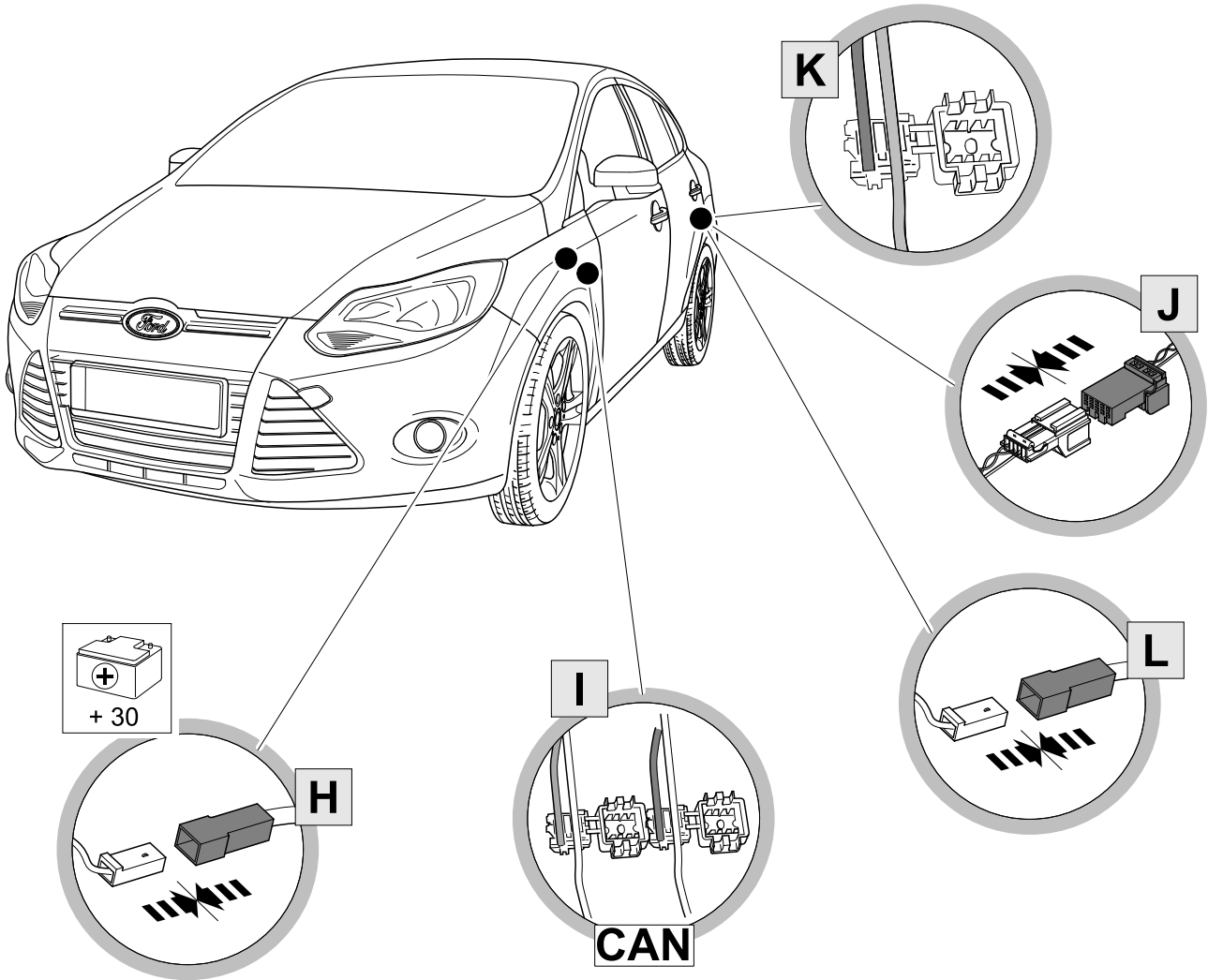
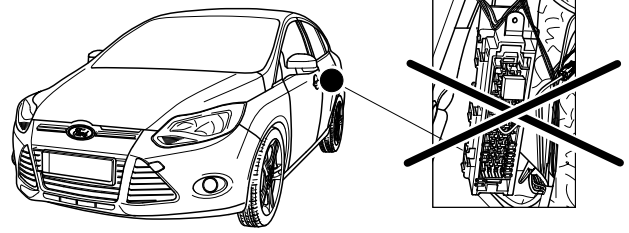
The installation should be carried out by qualified personnel with the relevant technical knowledge. The vehicle manufacturers' current technical notices and information on retrofitting must be followed. The removal and replacement instructions found in the current repair manuals must be followed.

It must be ensured that the vehicle is technically suitable for the installation of a trailer hitch.

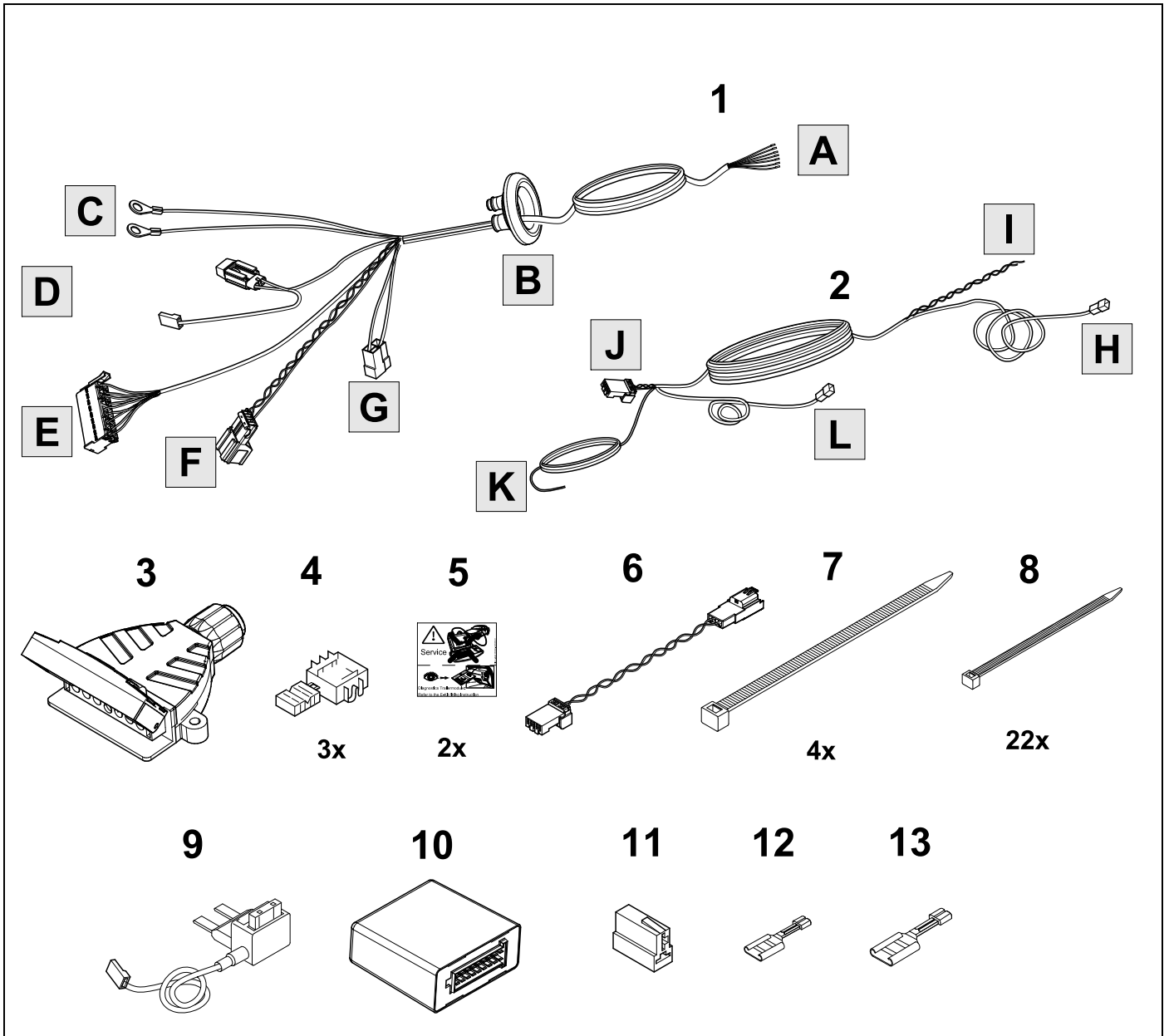


# Alternative B

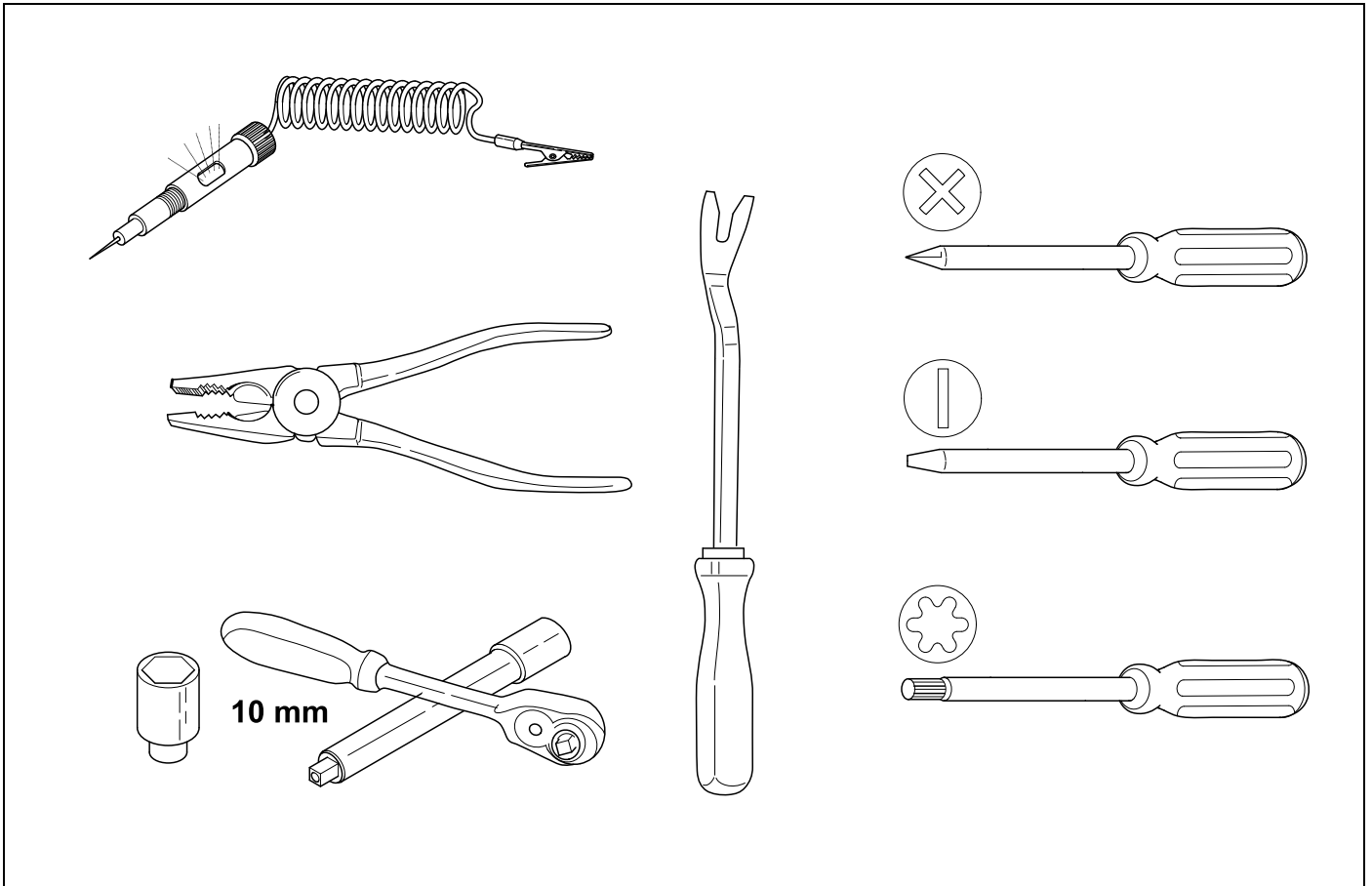
## For vehicles without Rear Electrical Center



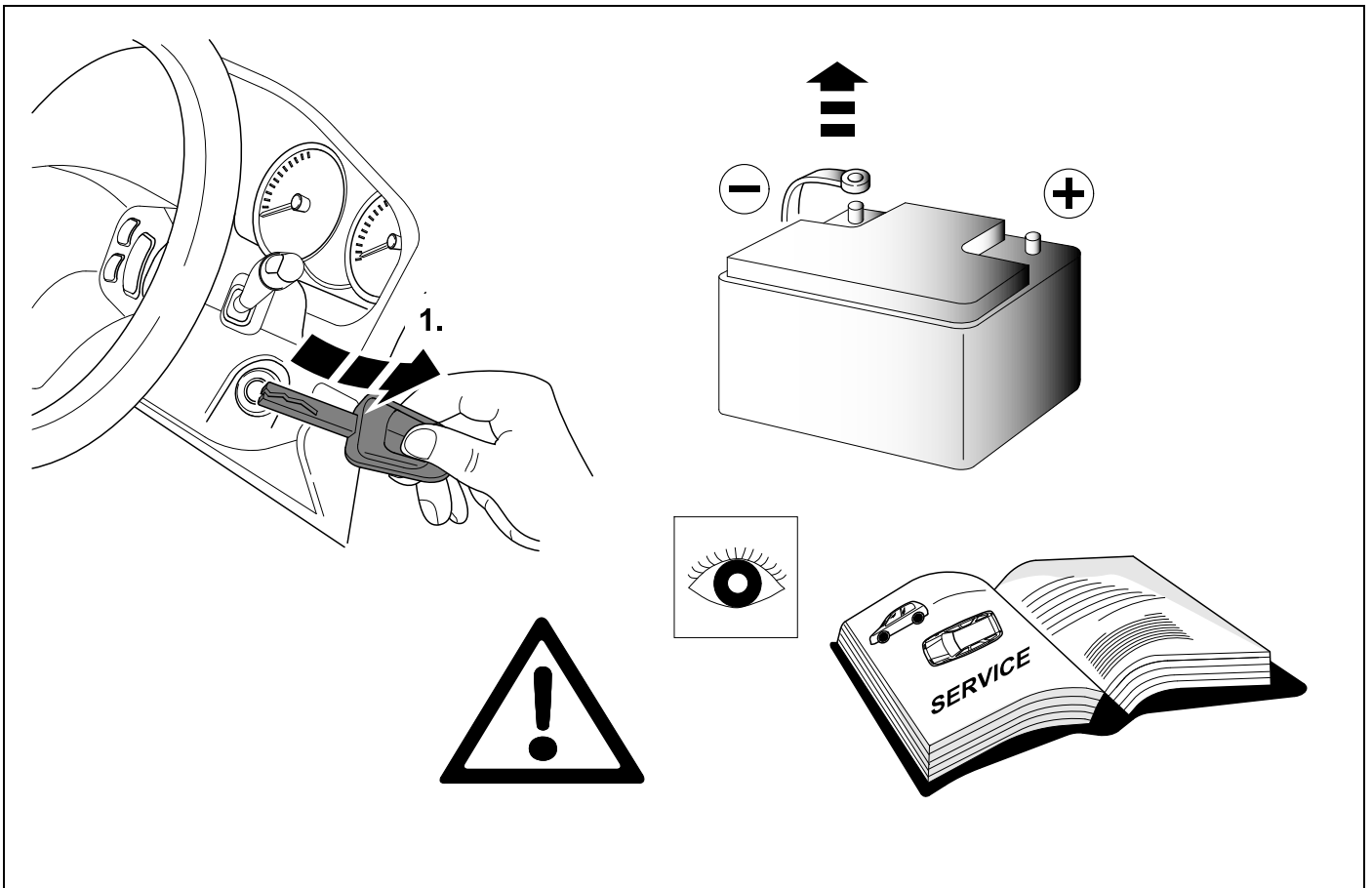
# KIT



# TOOLS

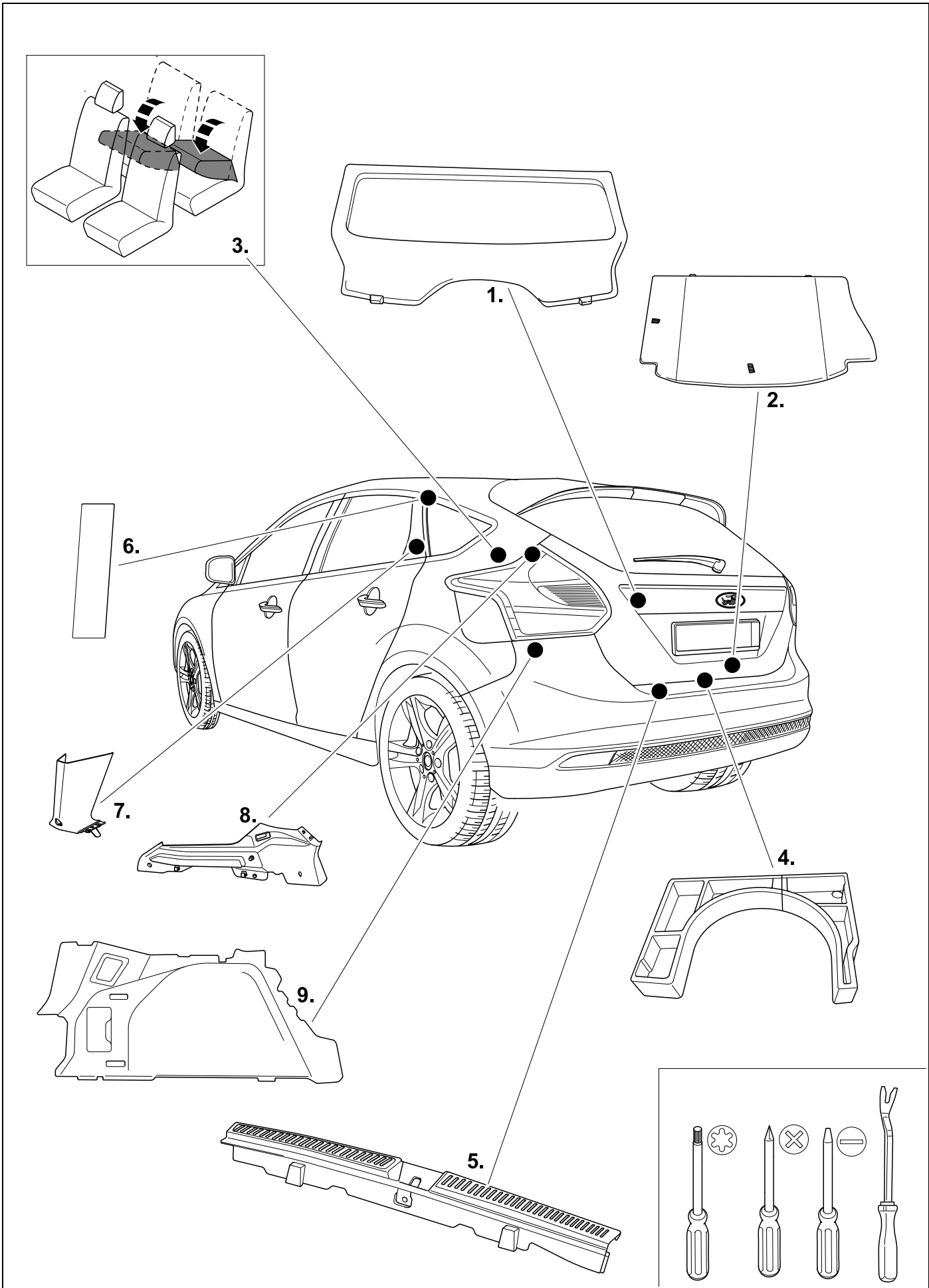


1



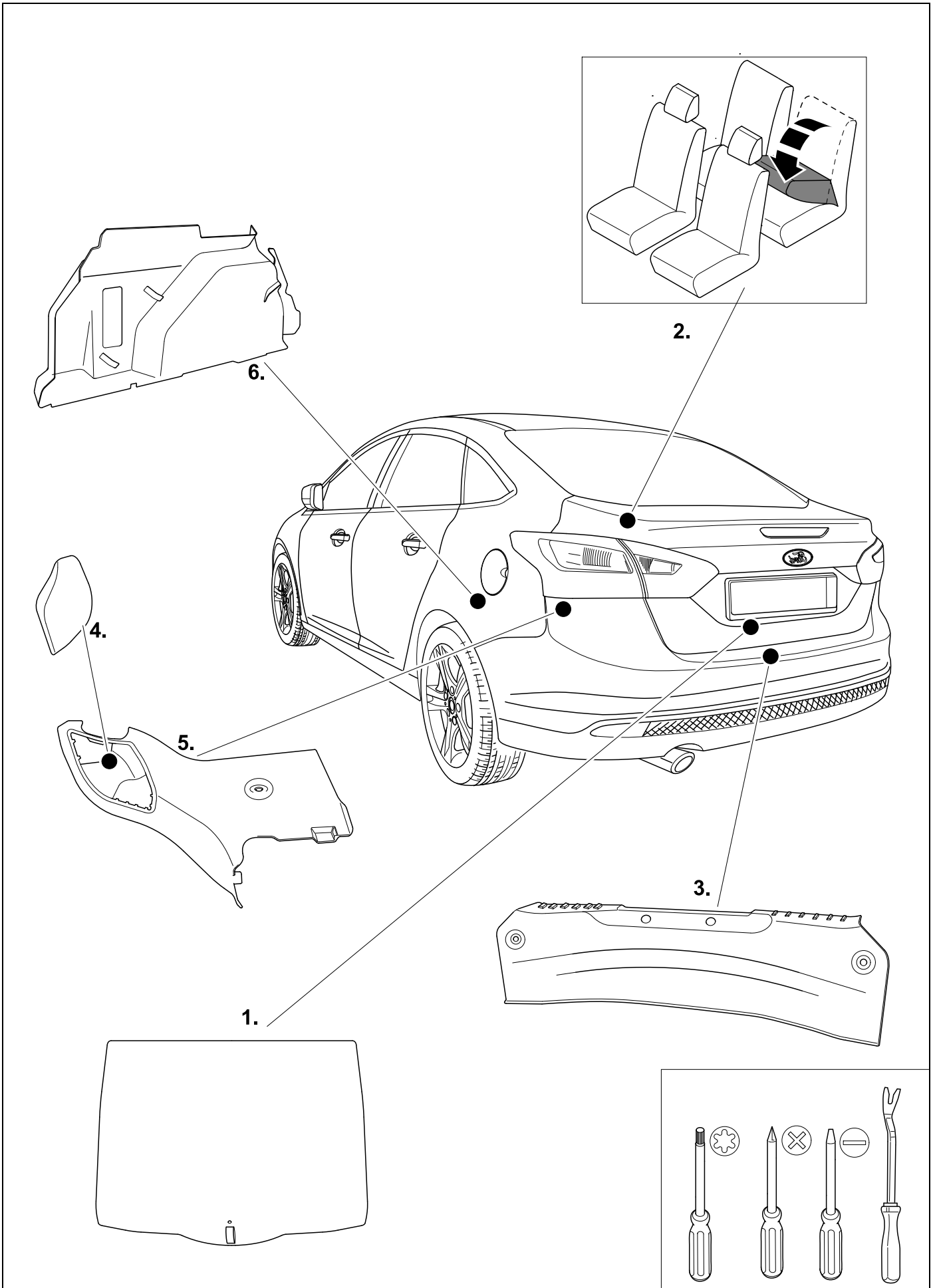
# 2 REMOVE

# Focus 5-door



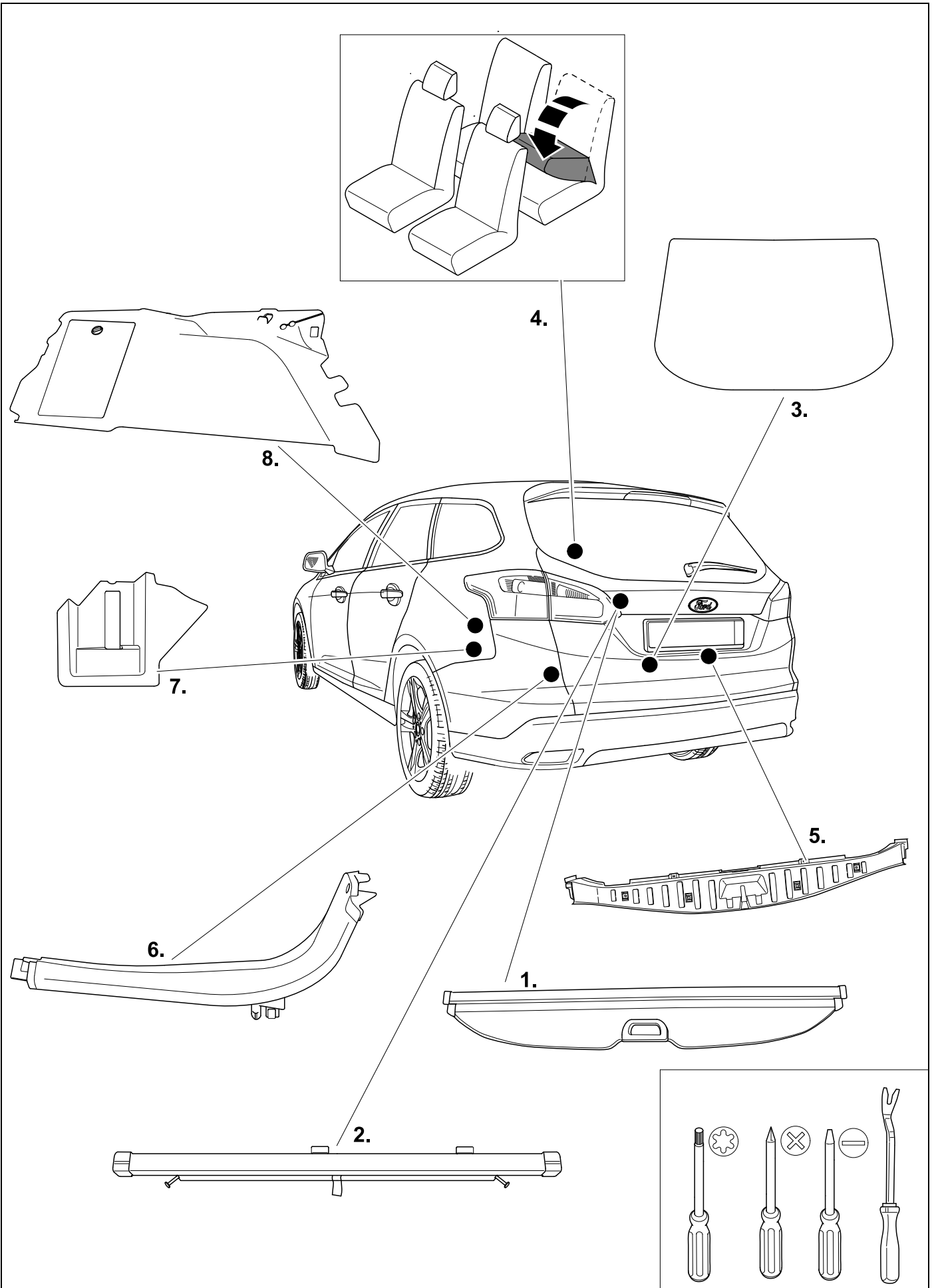
# 3 REMOVE

# Focus 4-door



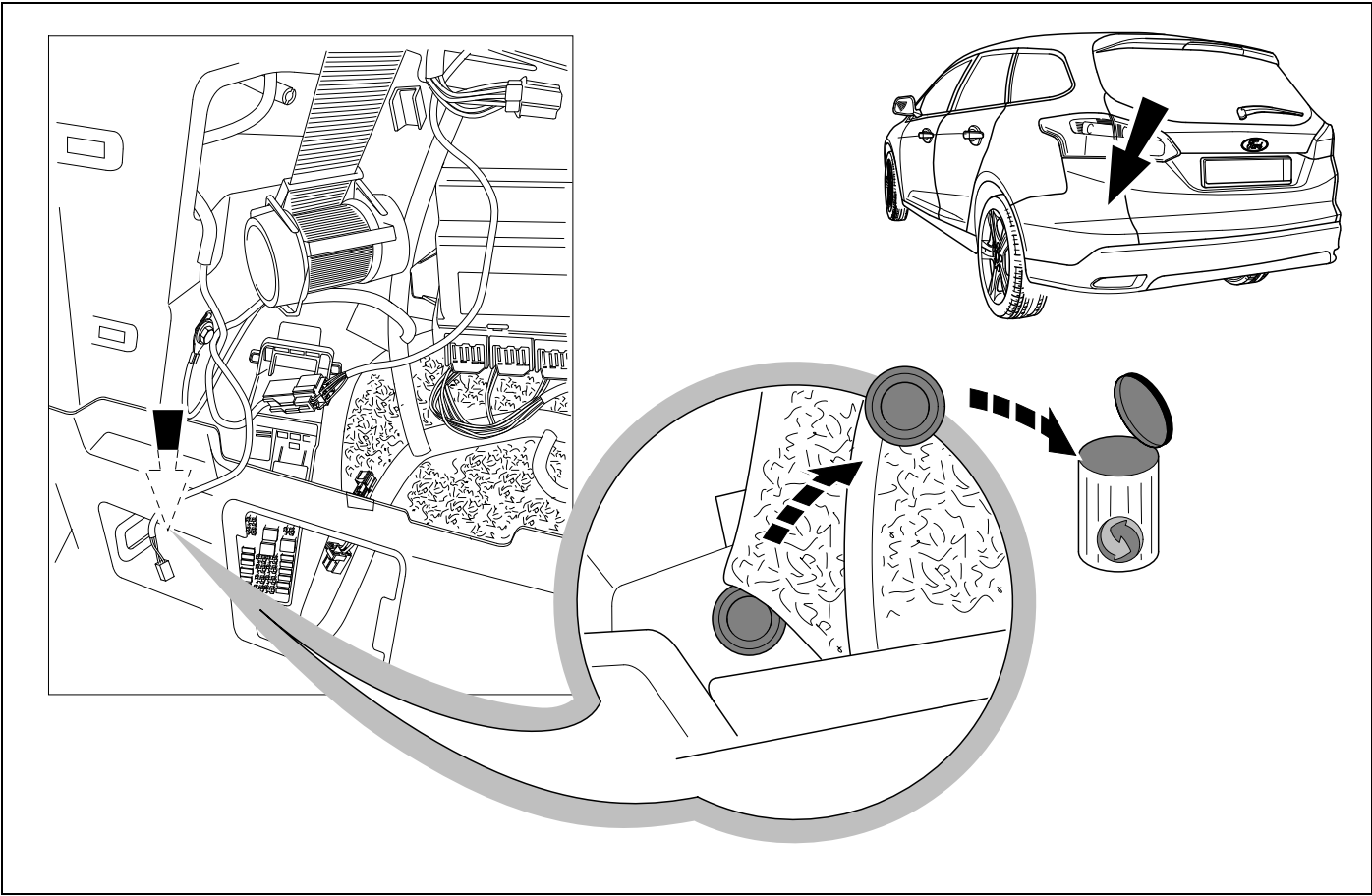
# 4 REMOVE

# Focus wagon

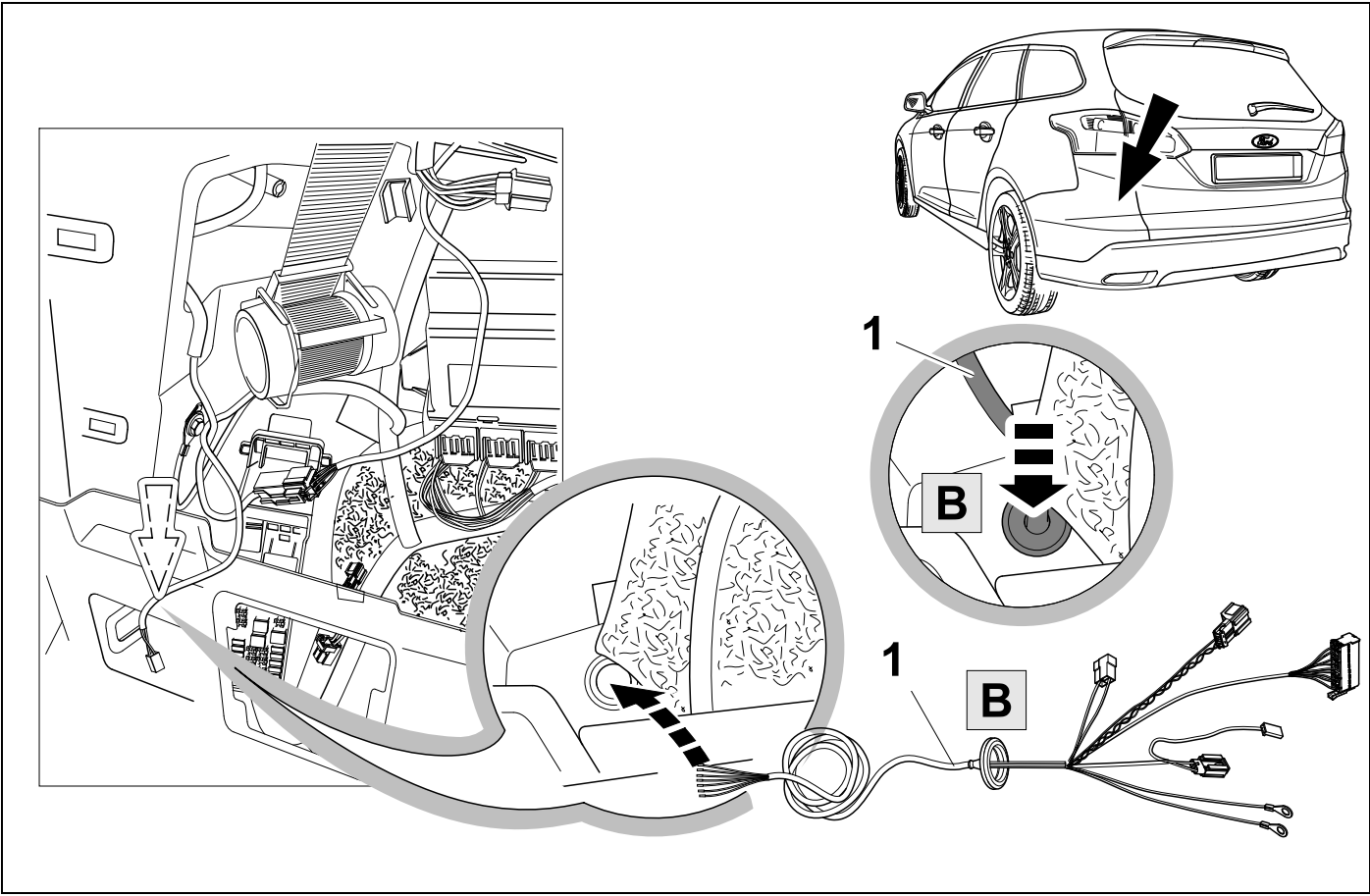




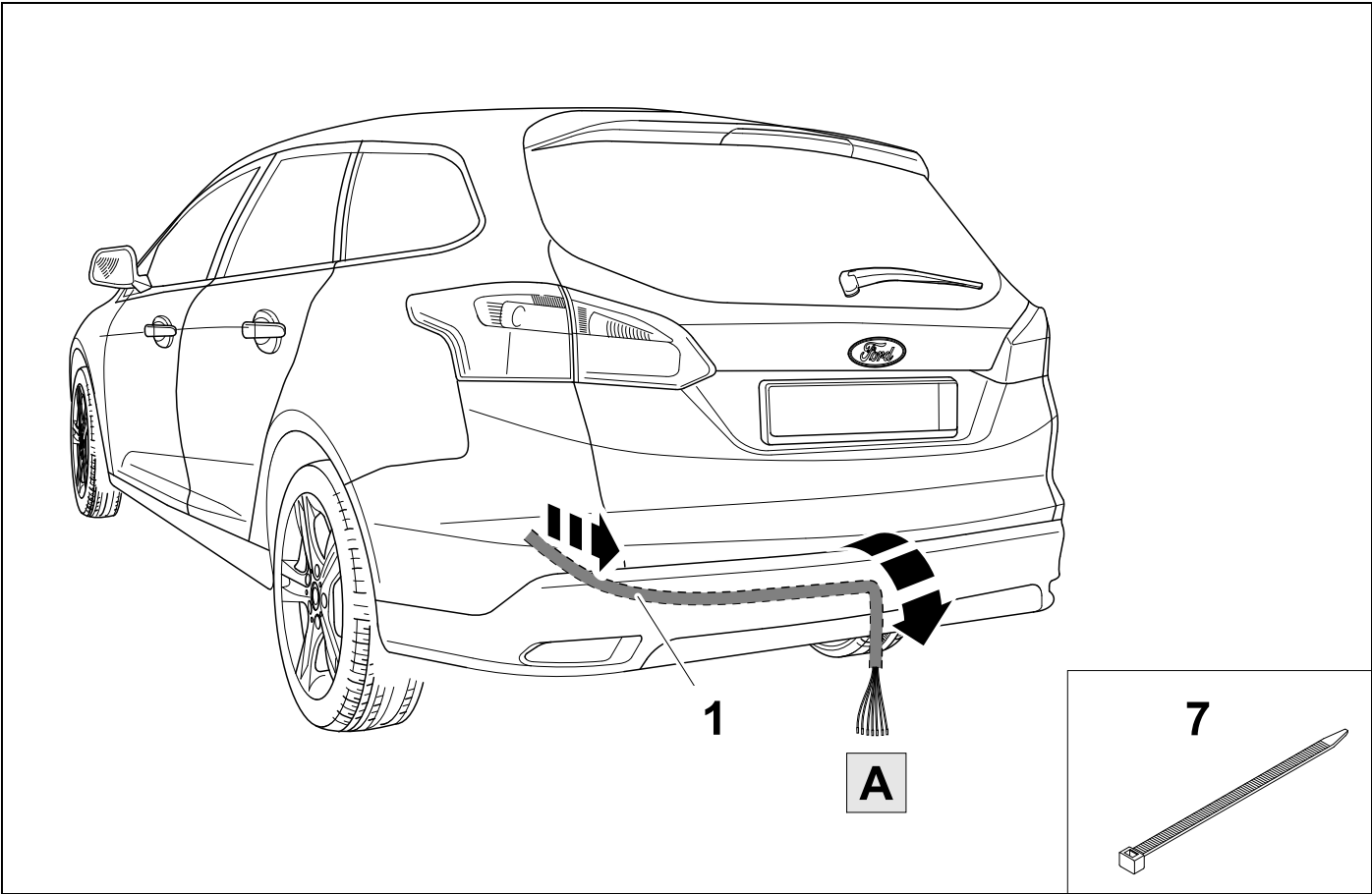
5



6



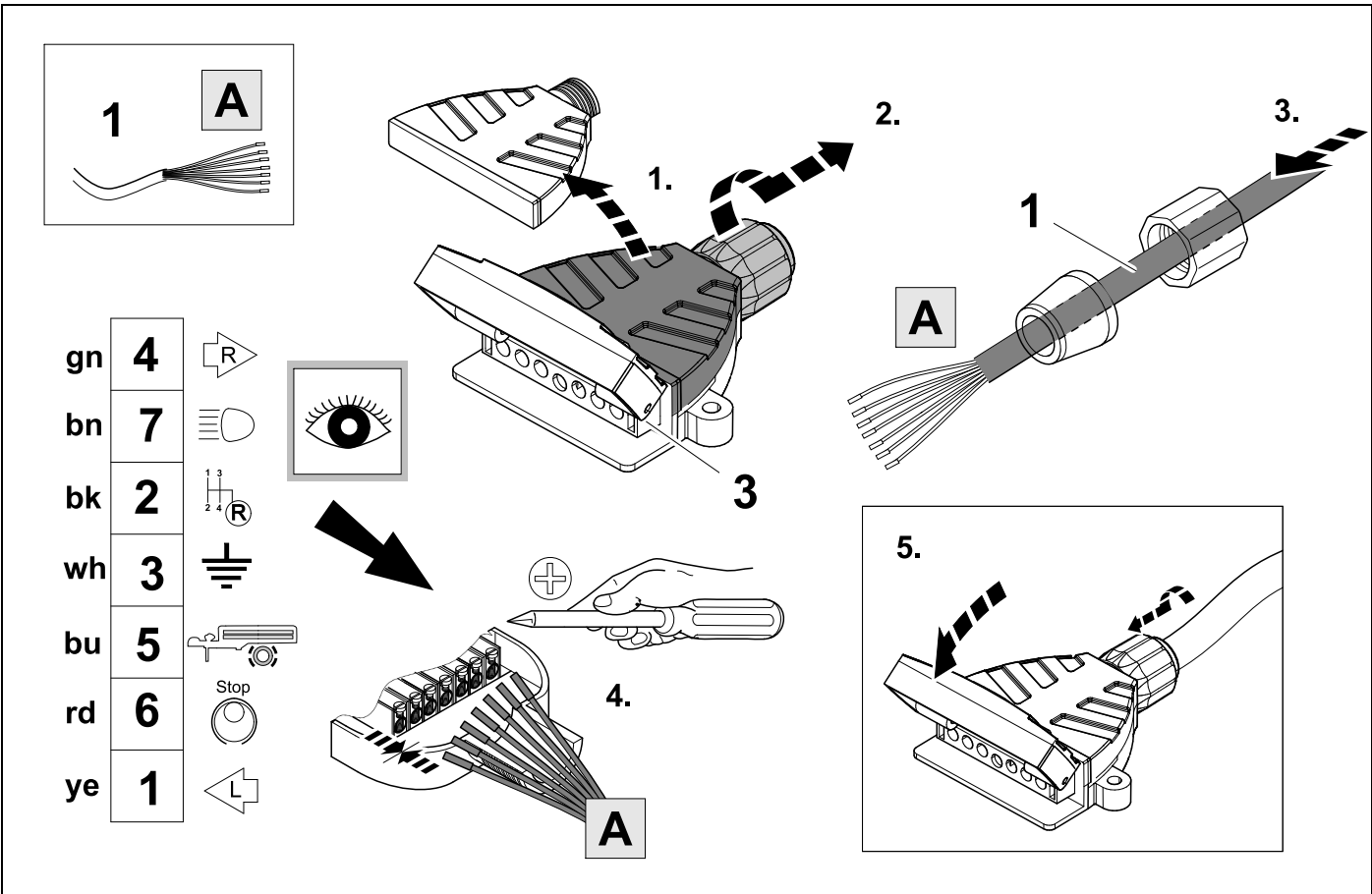
7



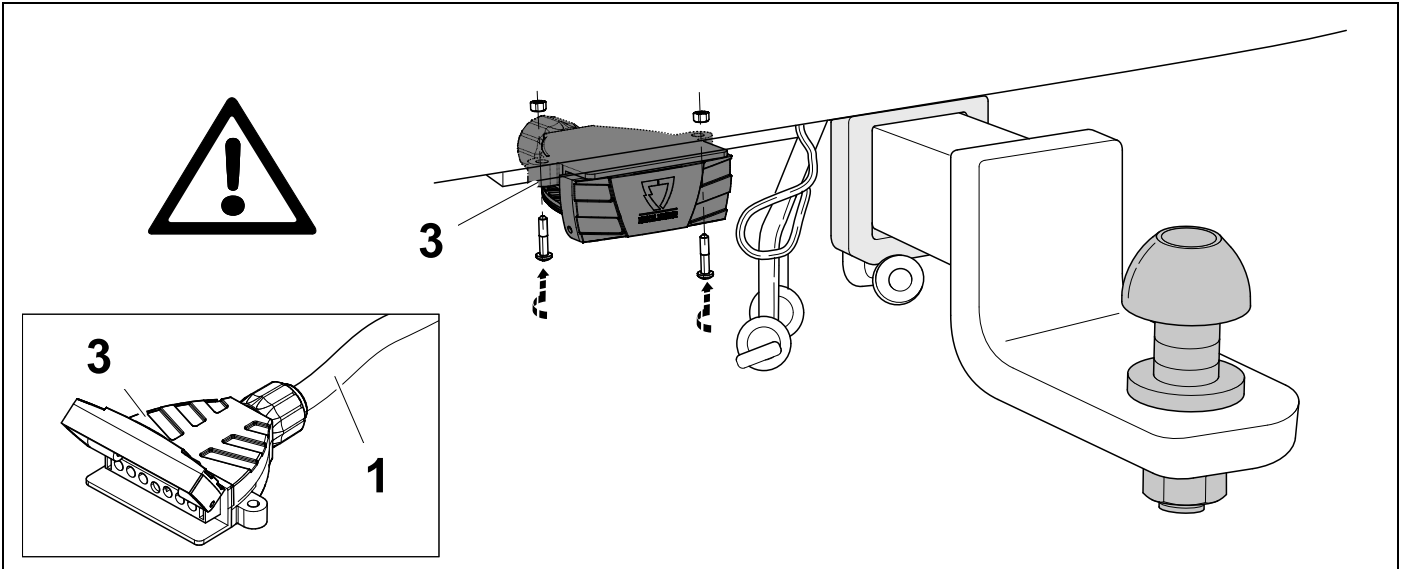
8



10



9



10



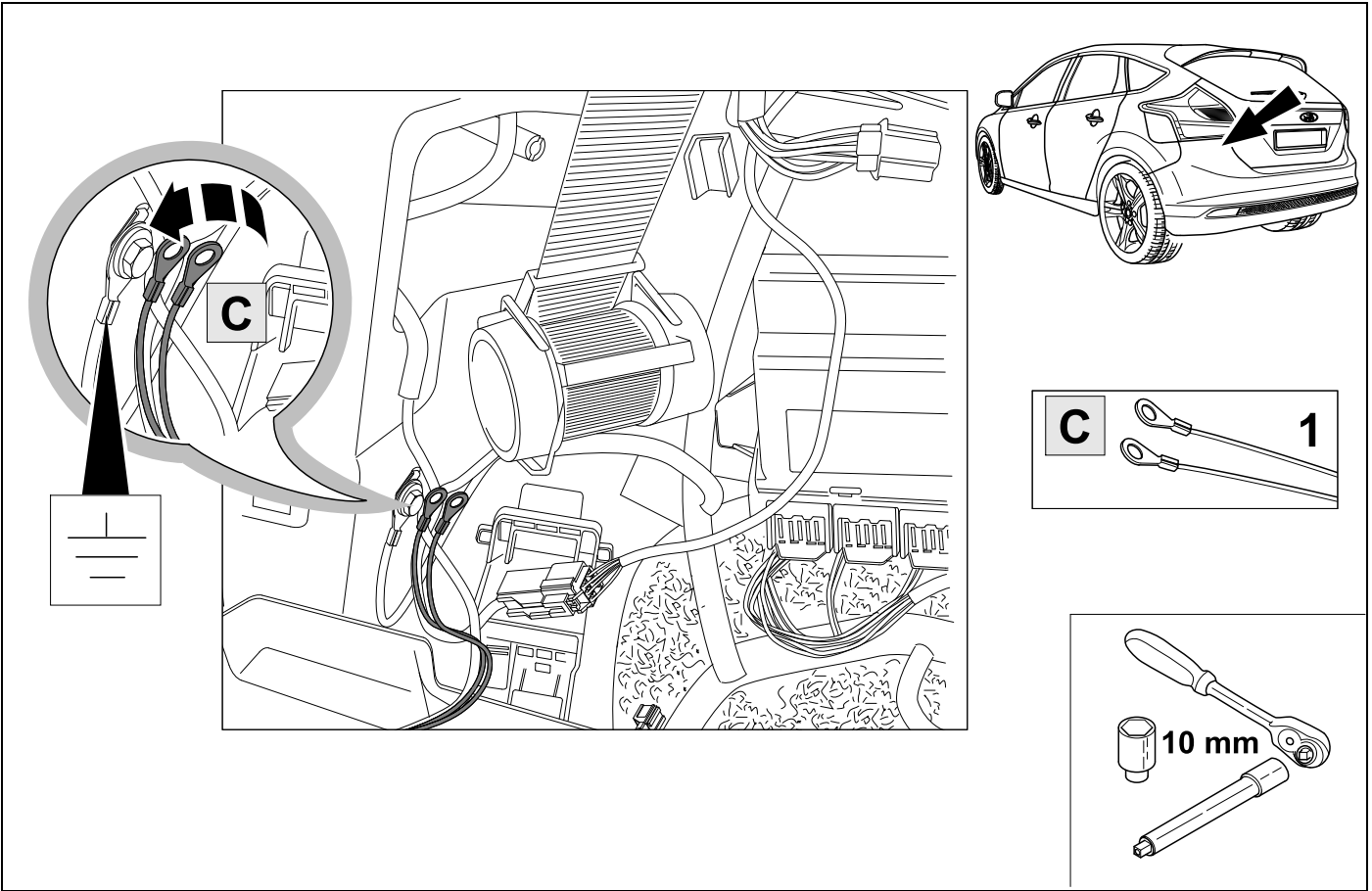
11

1	ye	
2	bk	
3	wh	
4	gn	
5	bu	
6	rd	
7	bn	

11	bk	wh	gy	gn	rd	bu	ye	bn	pu	or	no
	black	white	grey	green	red	blue	yellow	brown	purple	orange	not occupied

12

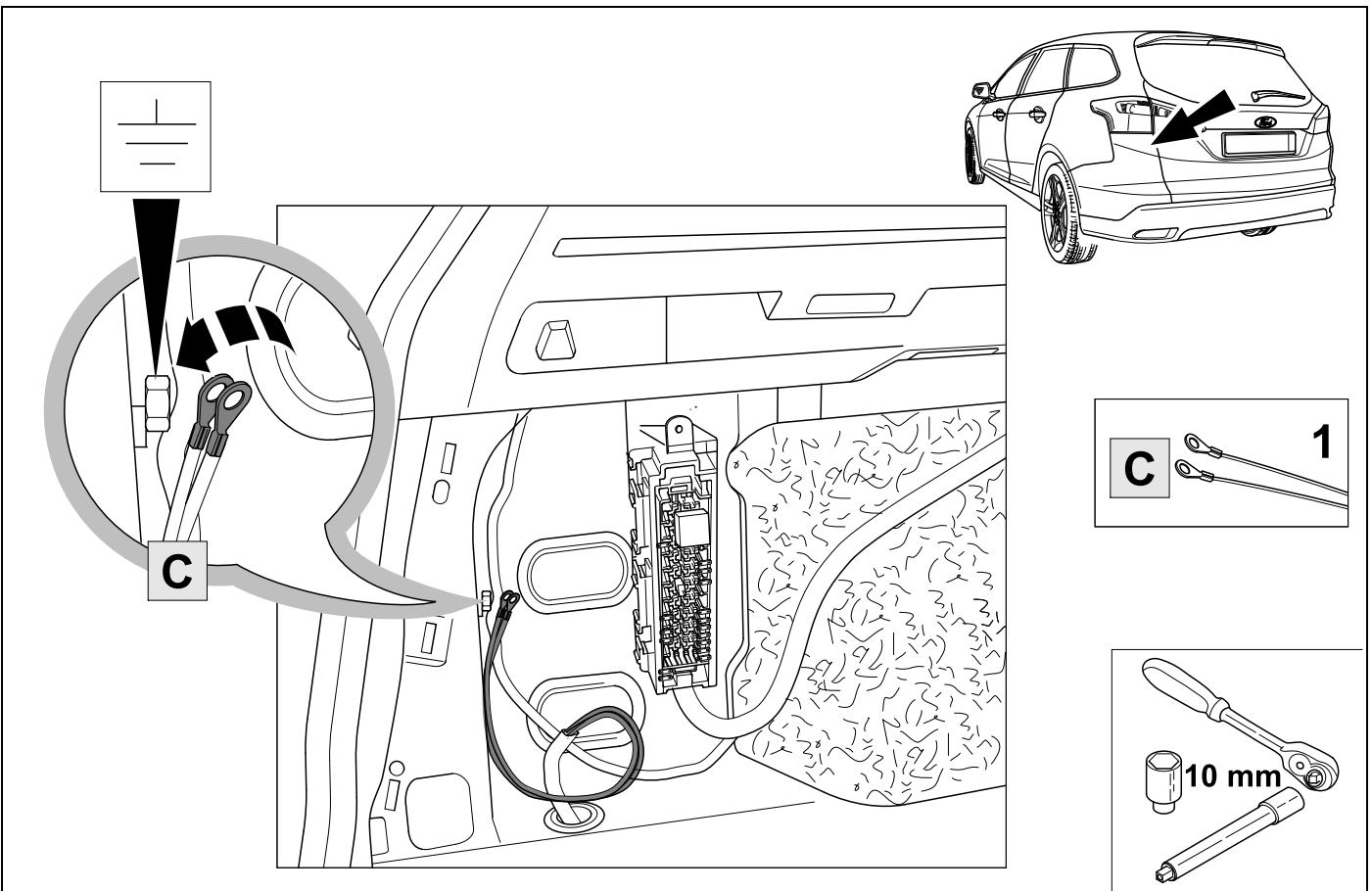
### Focus 5-door



13

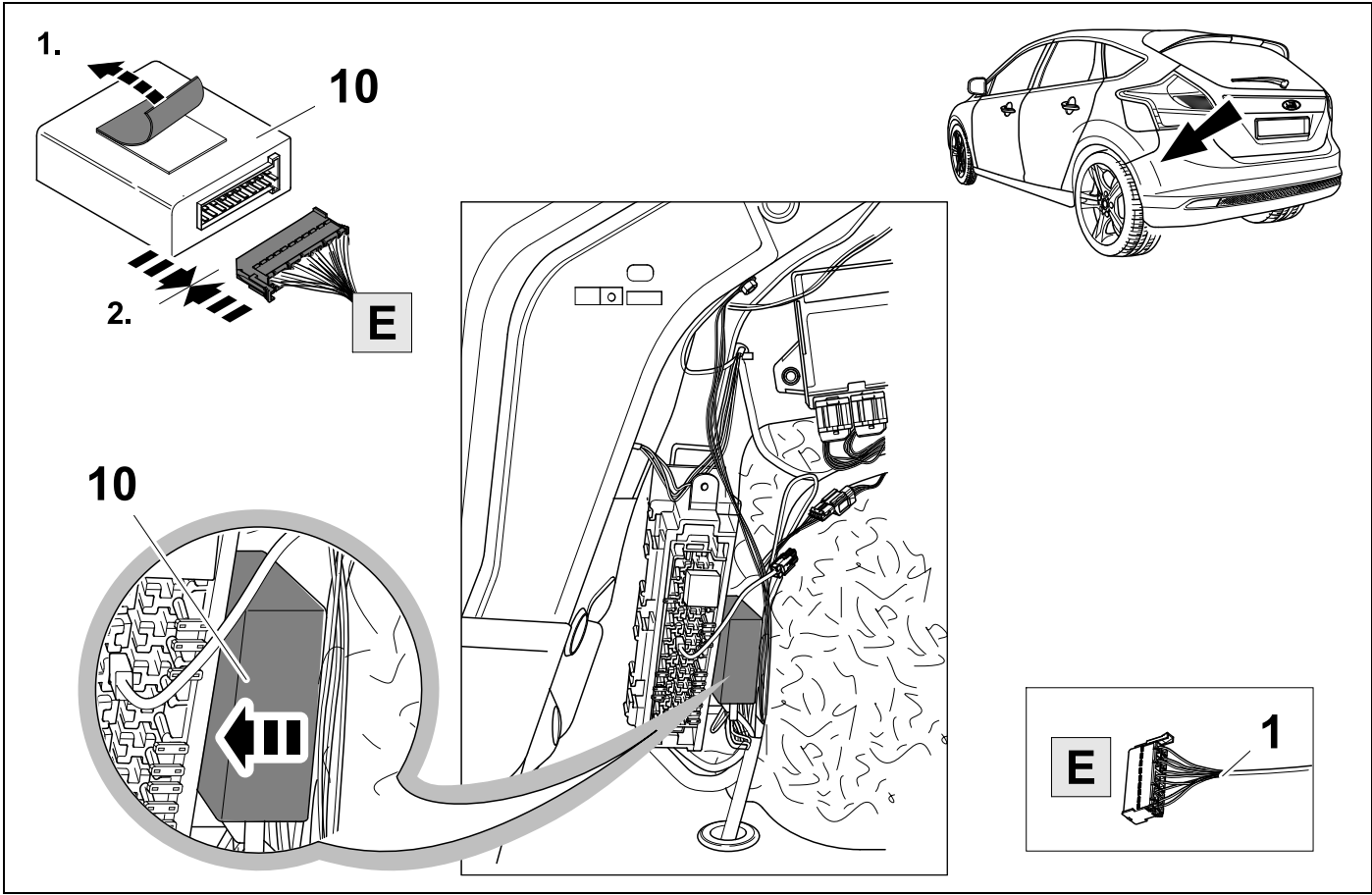
### Focus 4-door

### Focus wagon



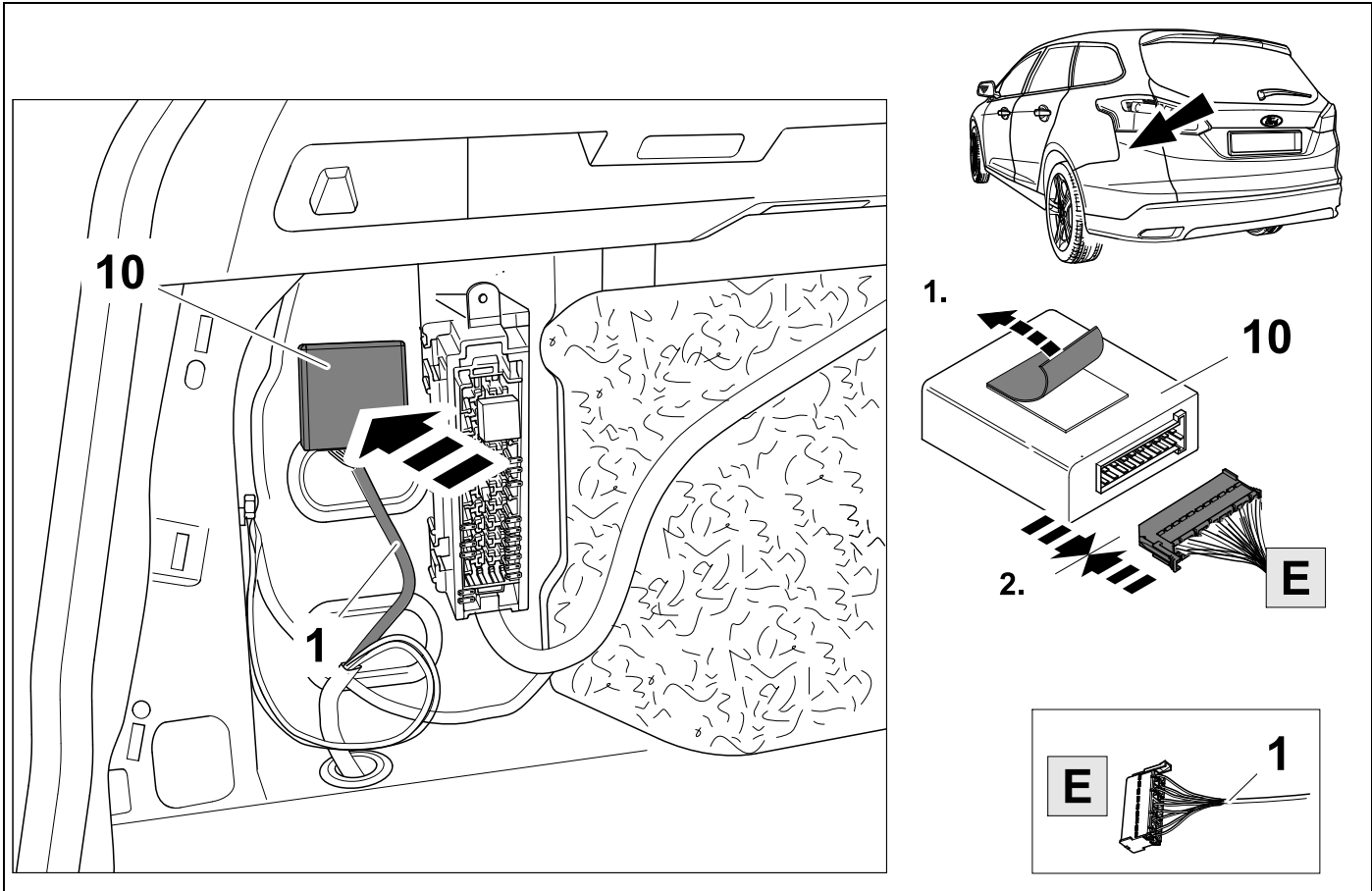
14

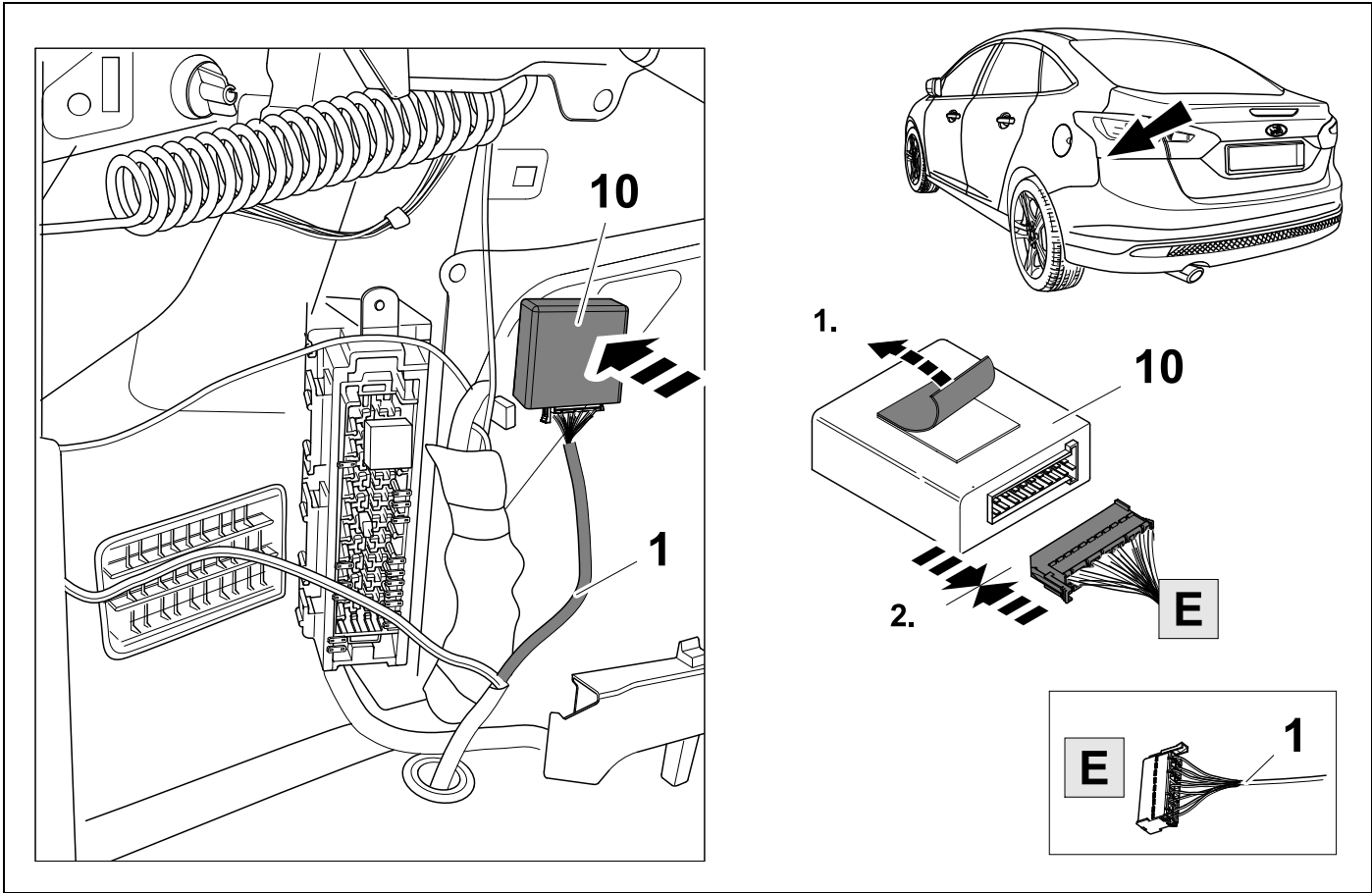
# Focus 5-door



15

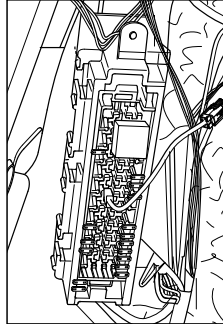
# Focus wagon





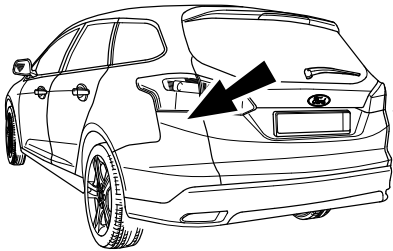
**Alternative A**

**Vehicles with Rear Electrical Center**



**18** - **21**

**30** - **36**



**Alternative B**

**Vehicles without Rear Electrical Center**



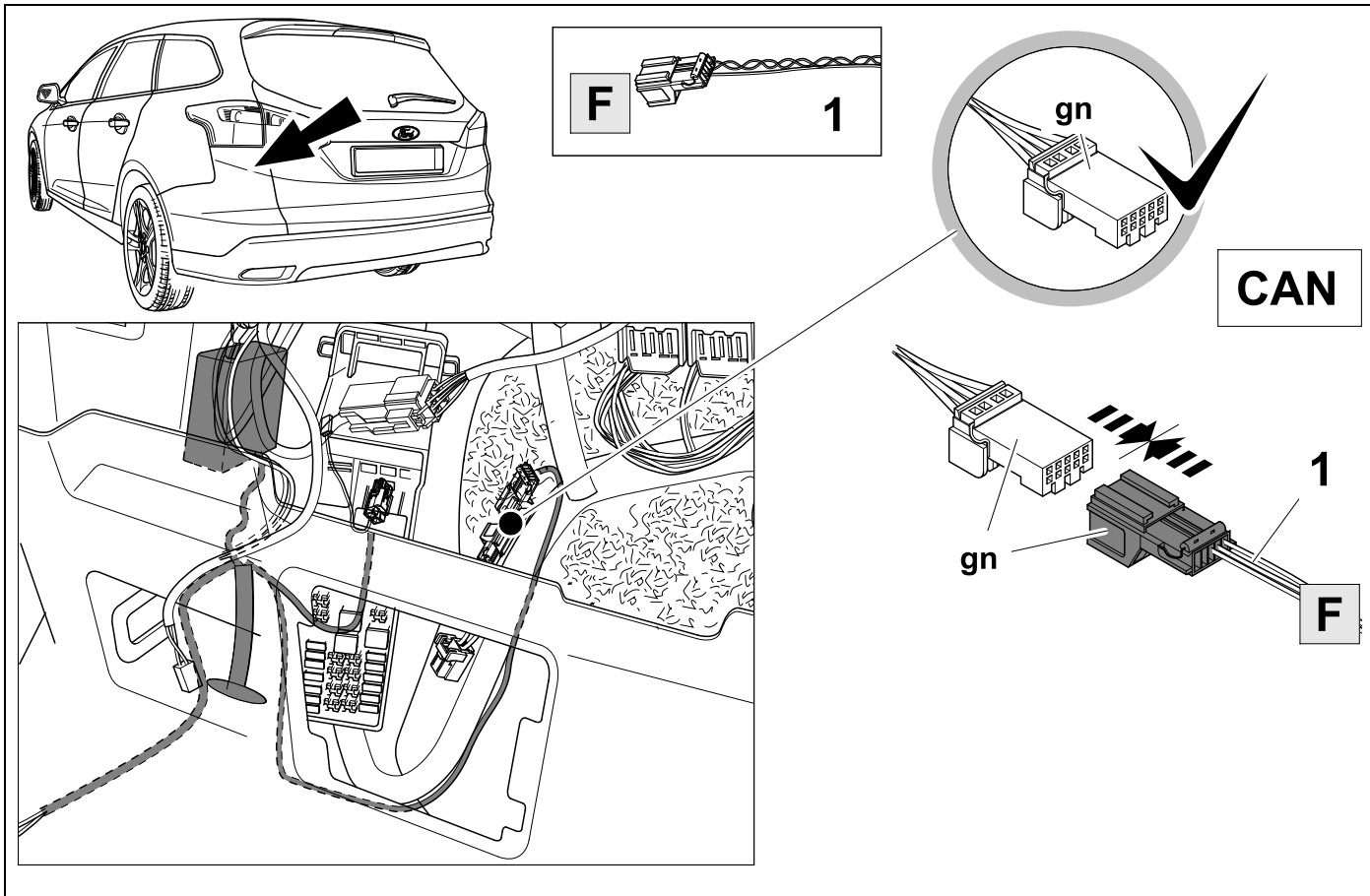
**22** - **36**

18

### Option 1



11

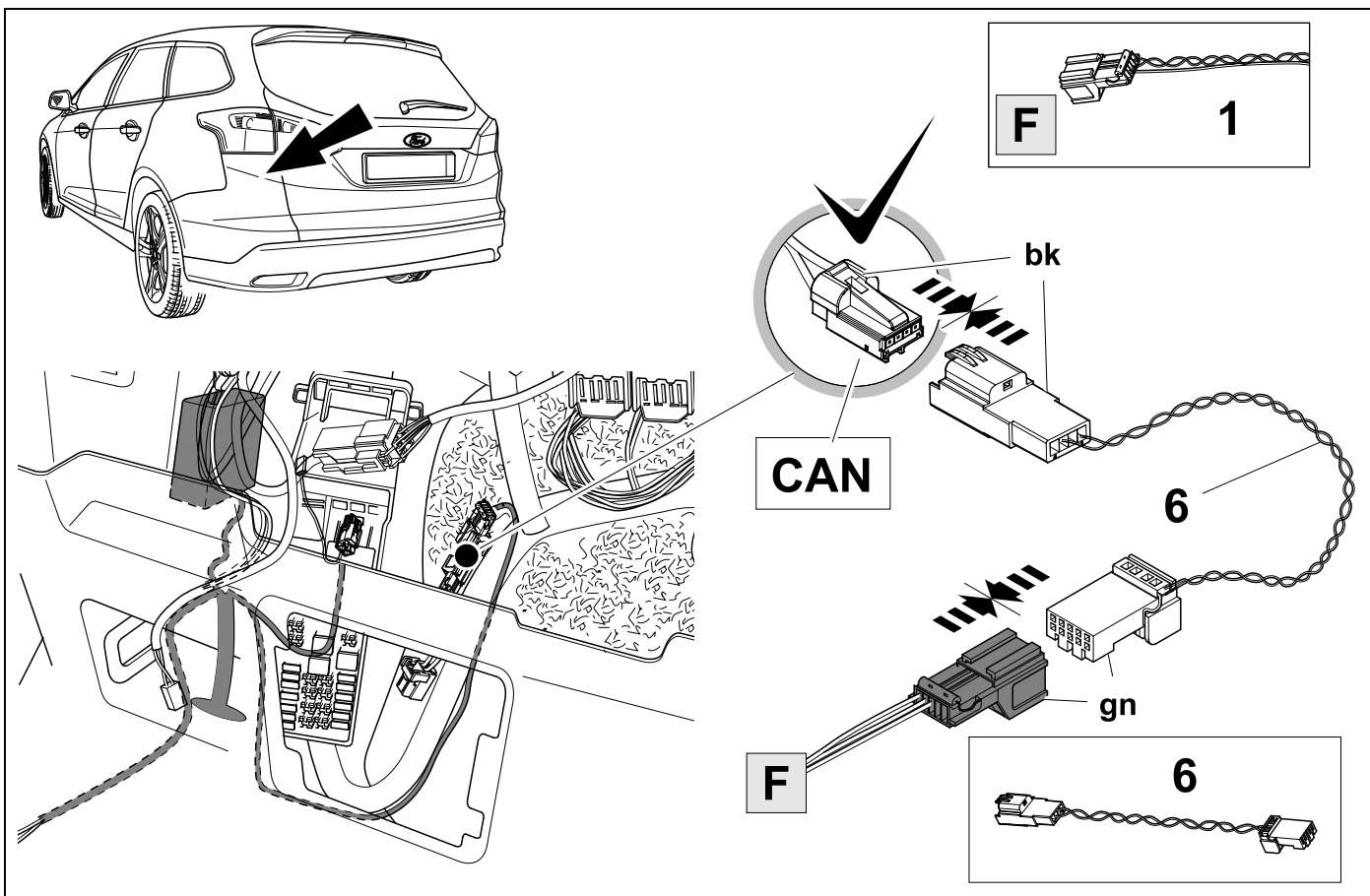


19

### Option 2



11

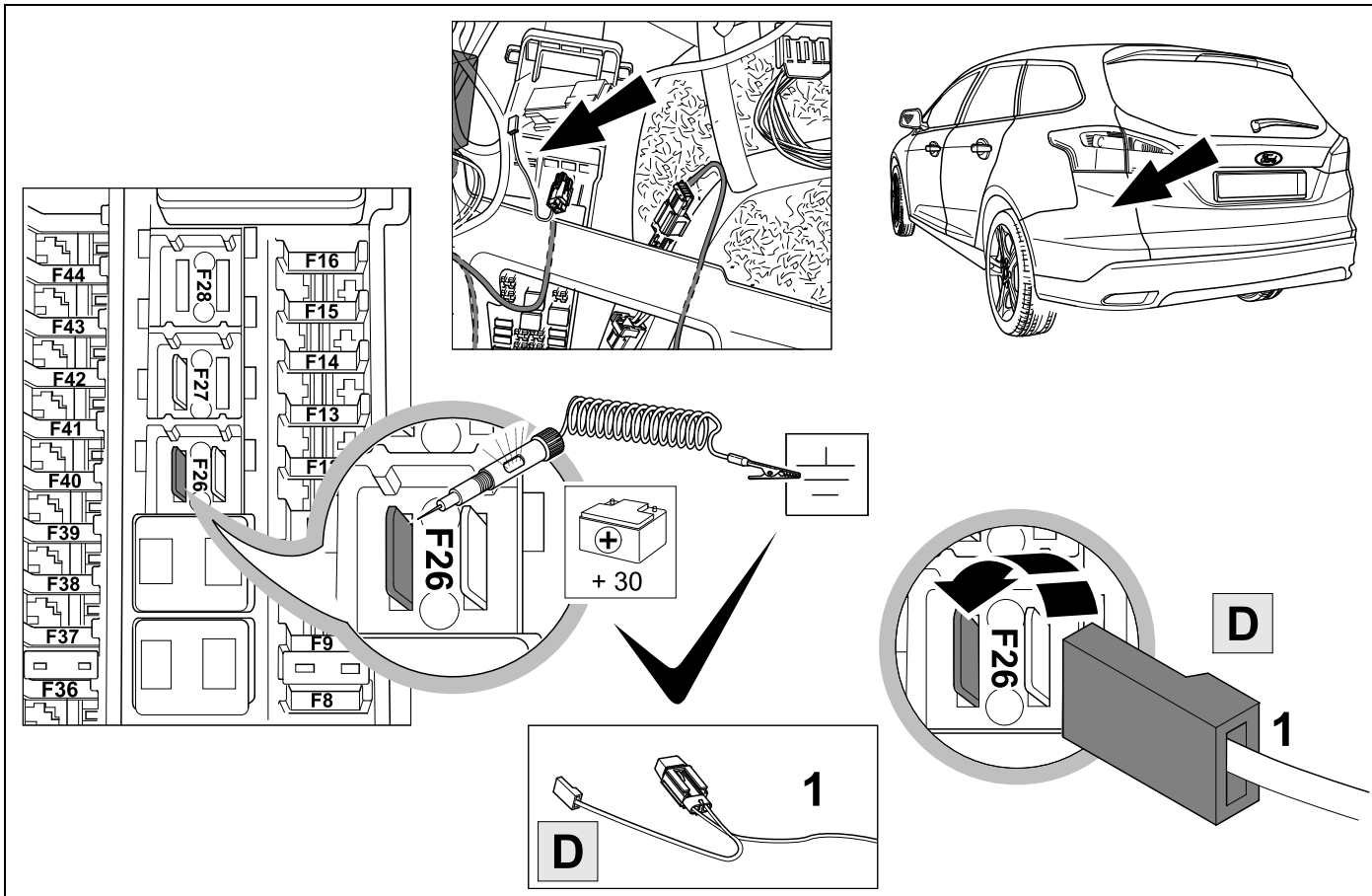




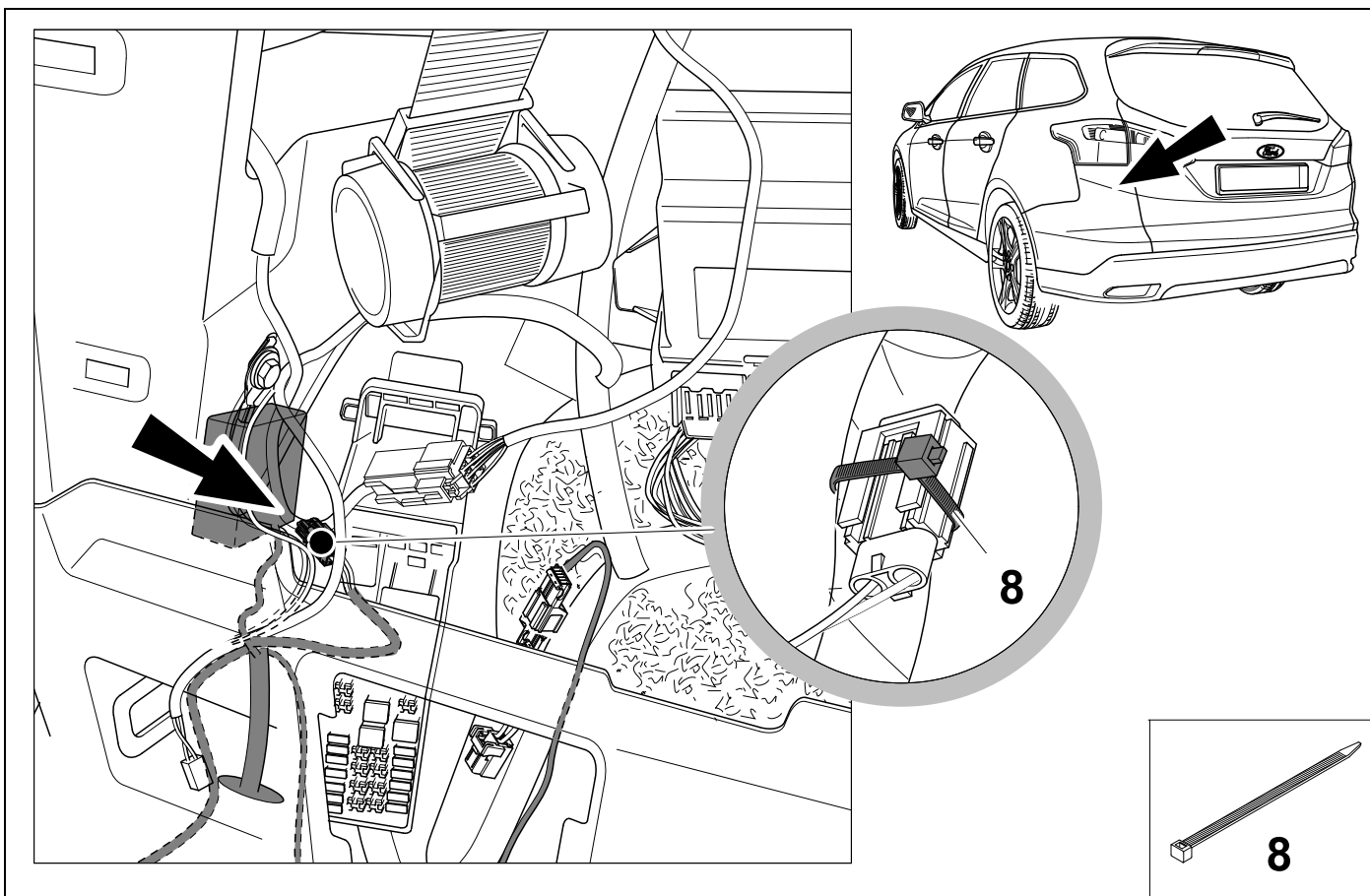
20



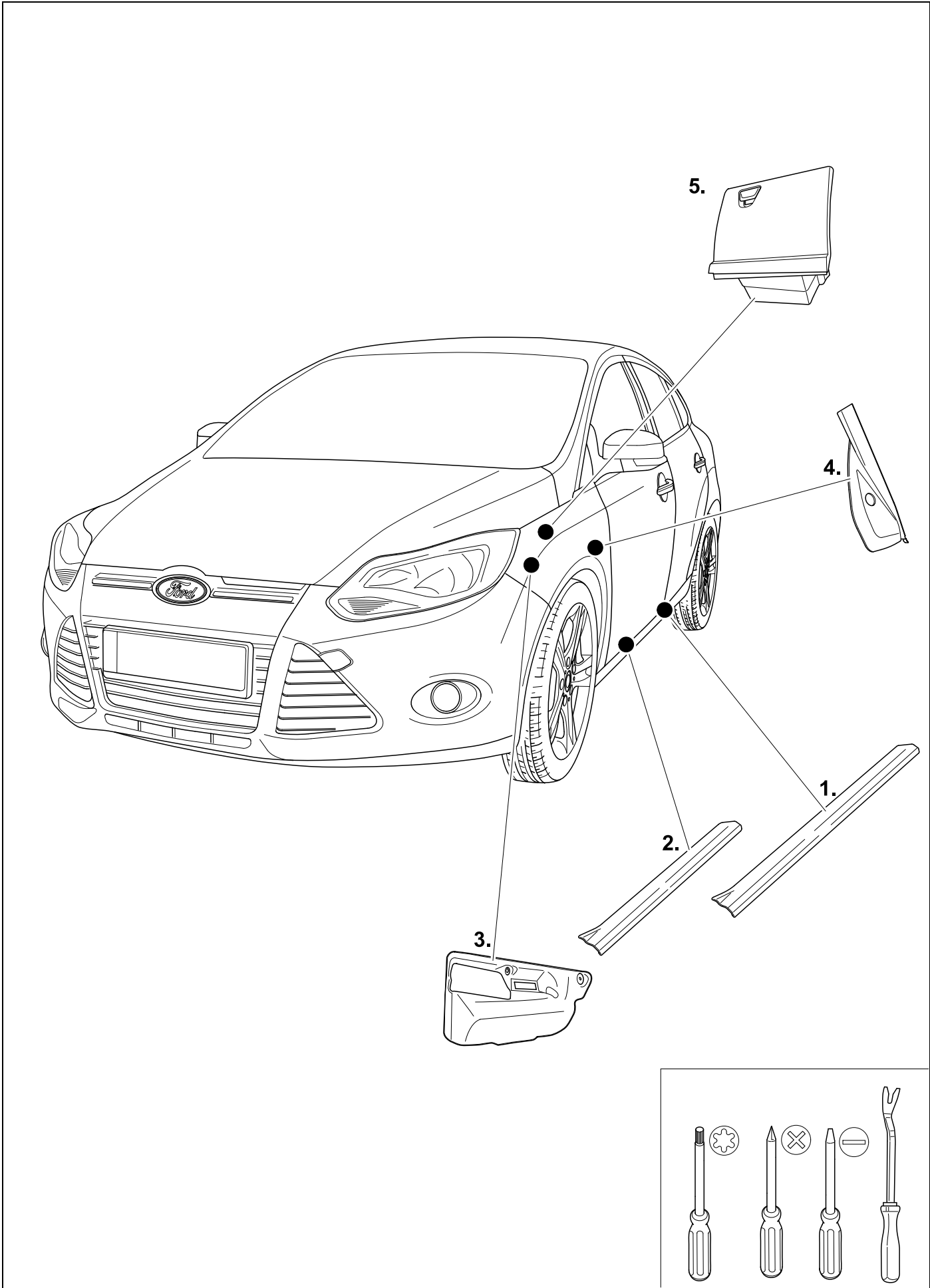
35

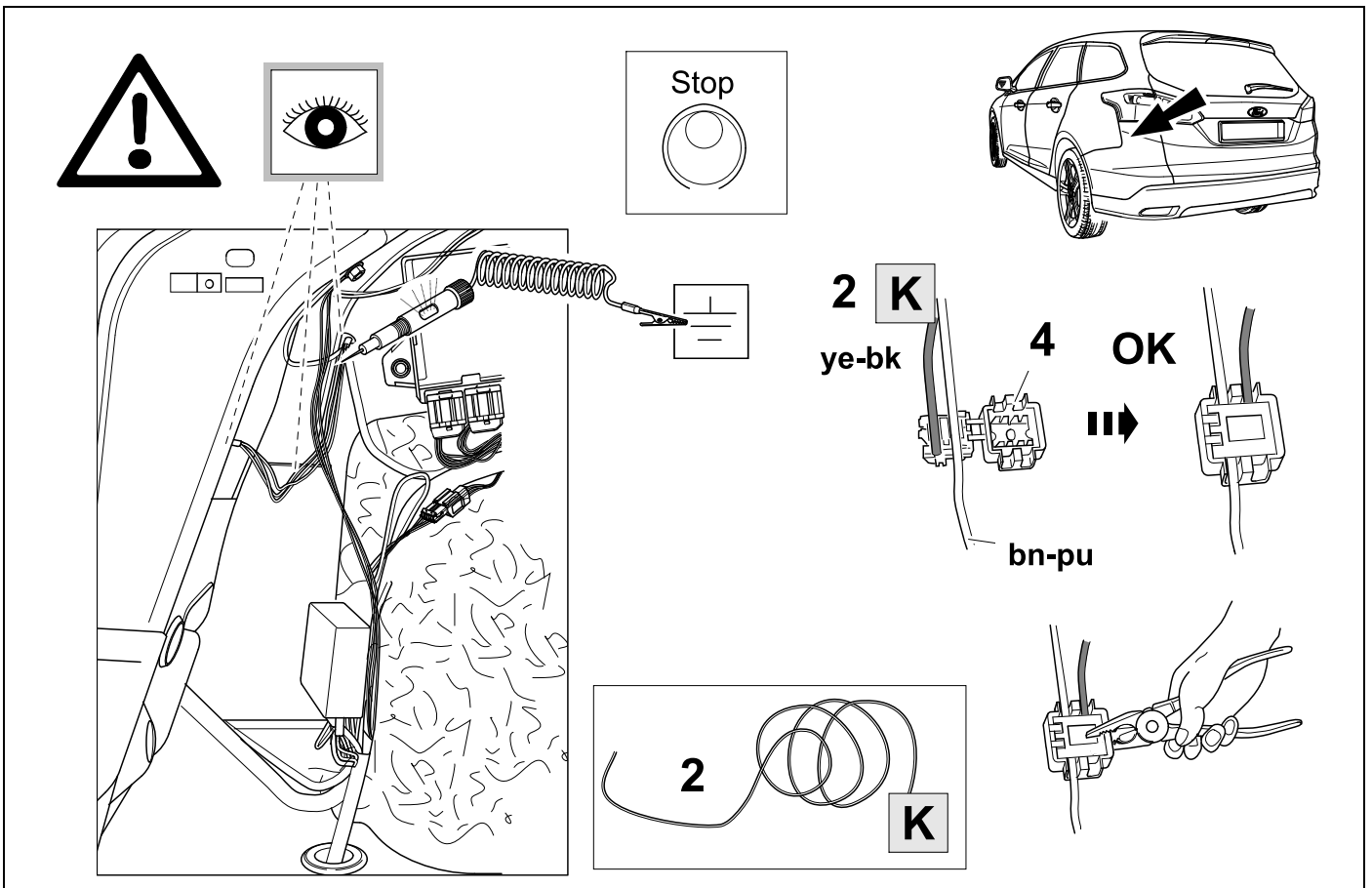
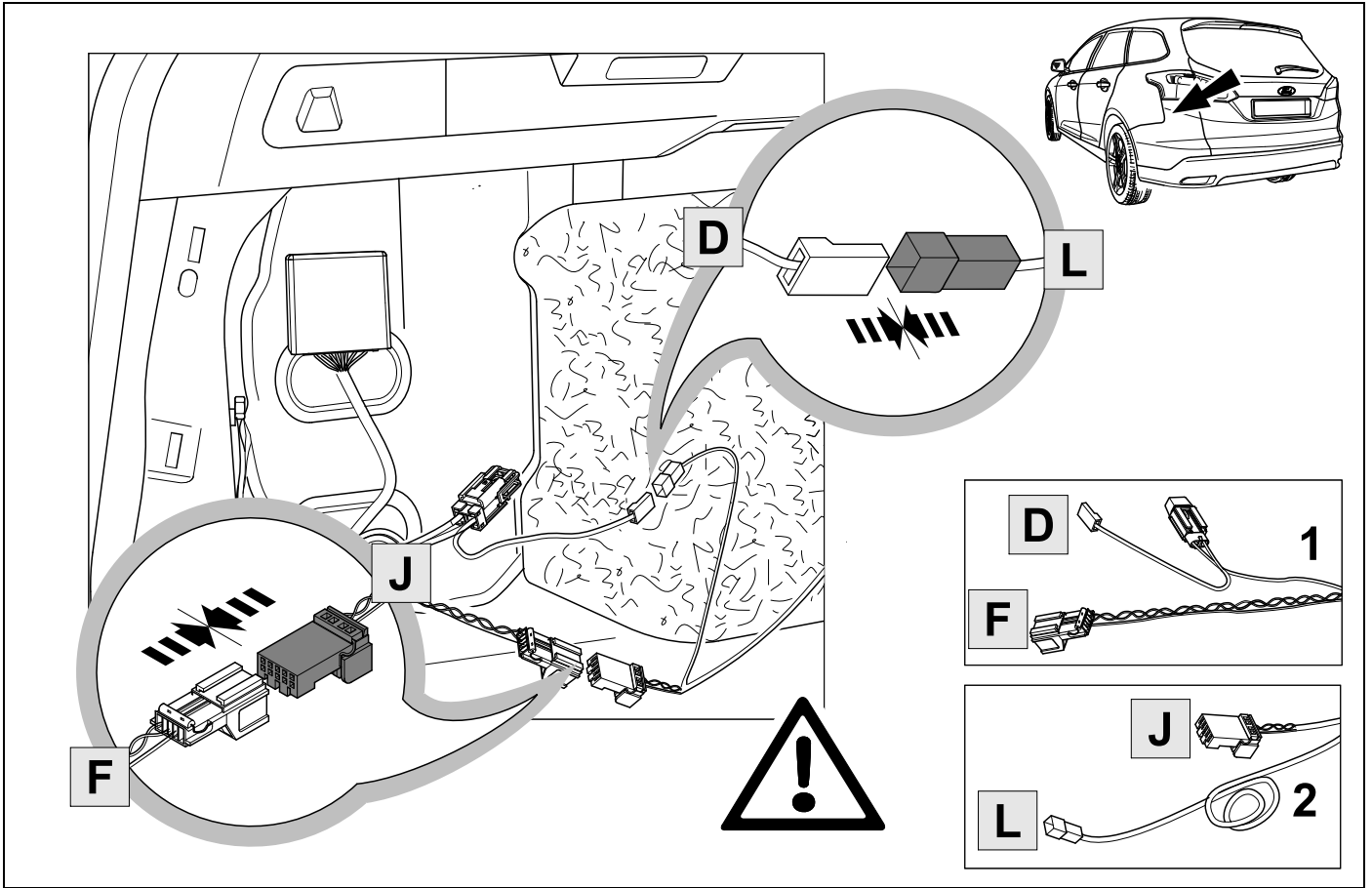


21

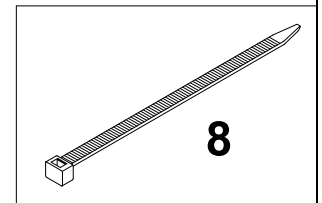
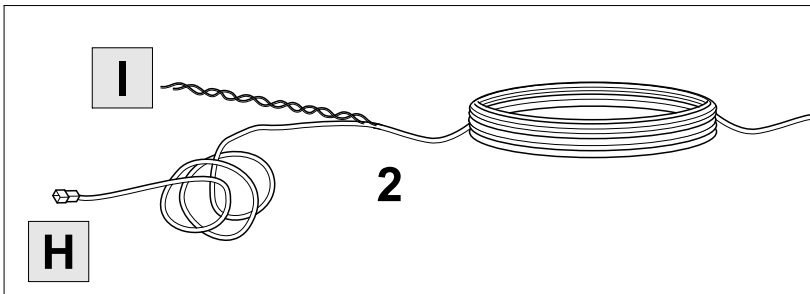
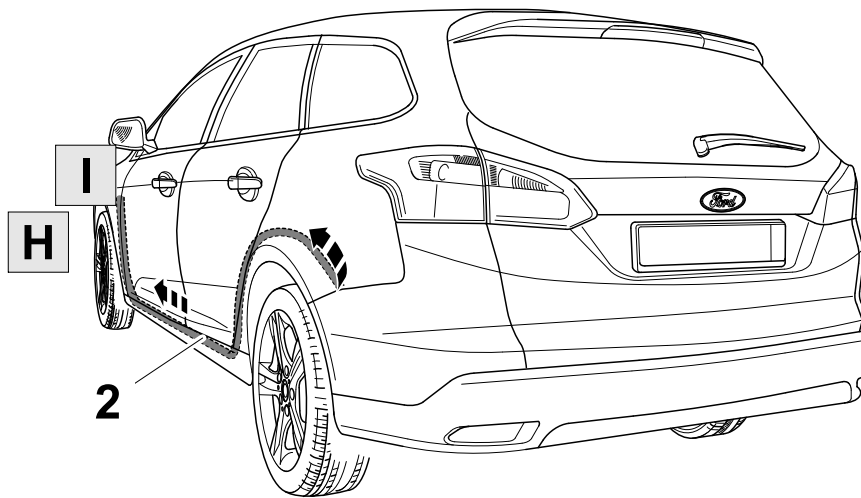


# 22 REMOVE

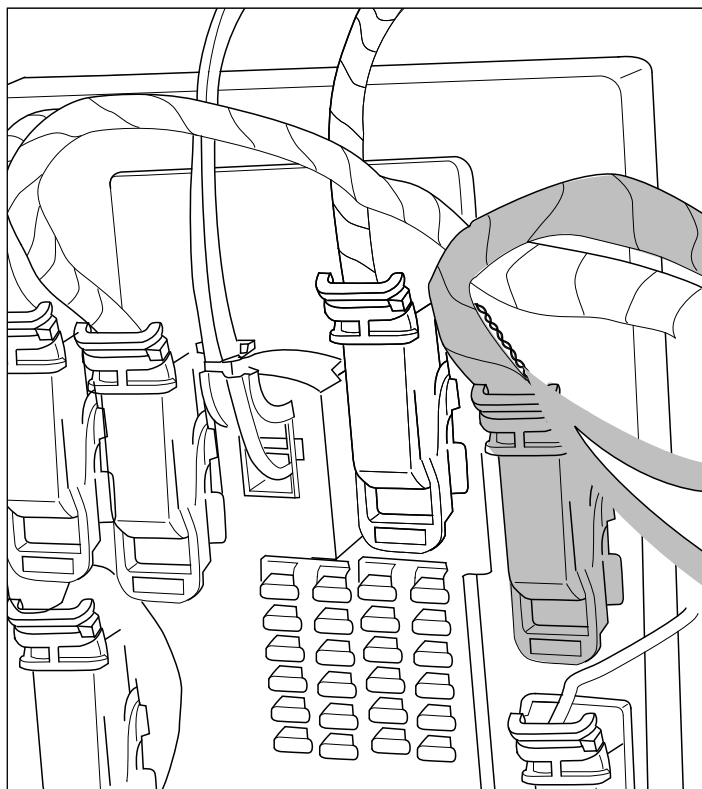
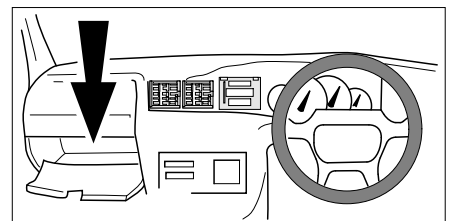




25



26

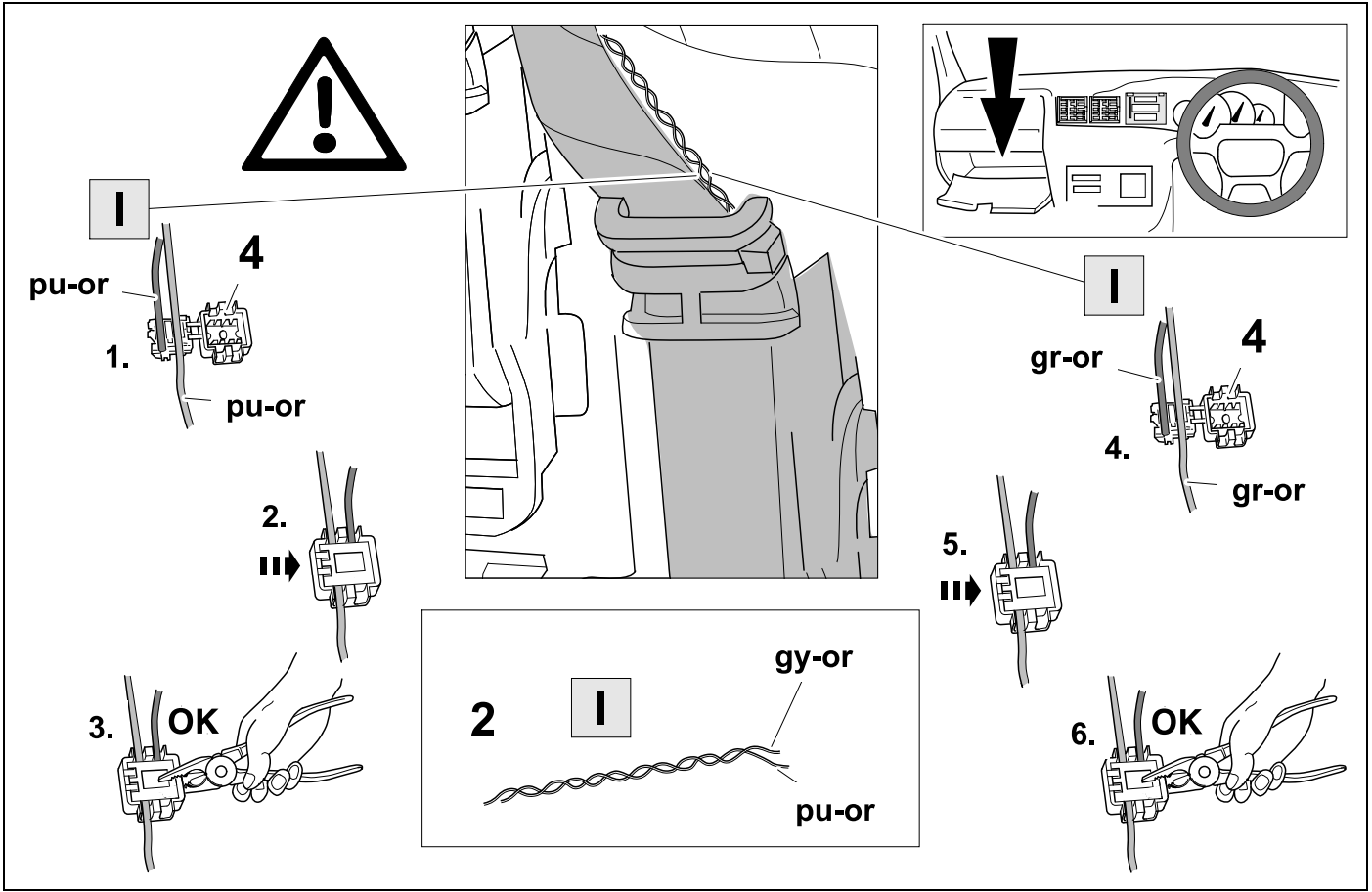


**CAN**

27



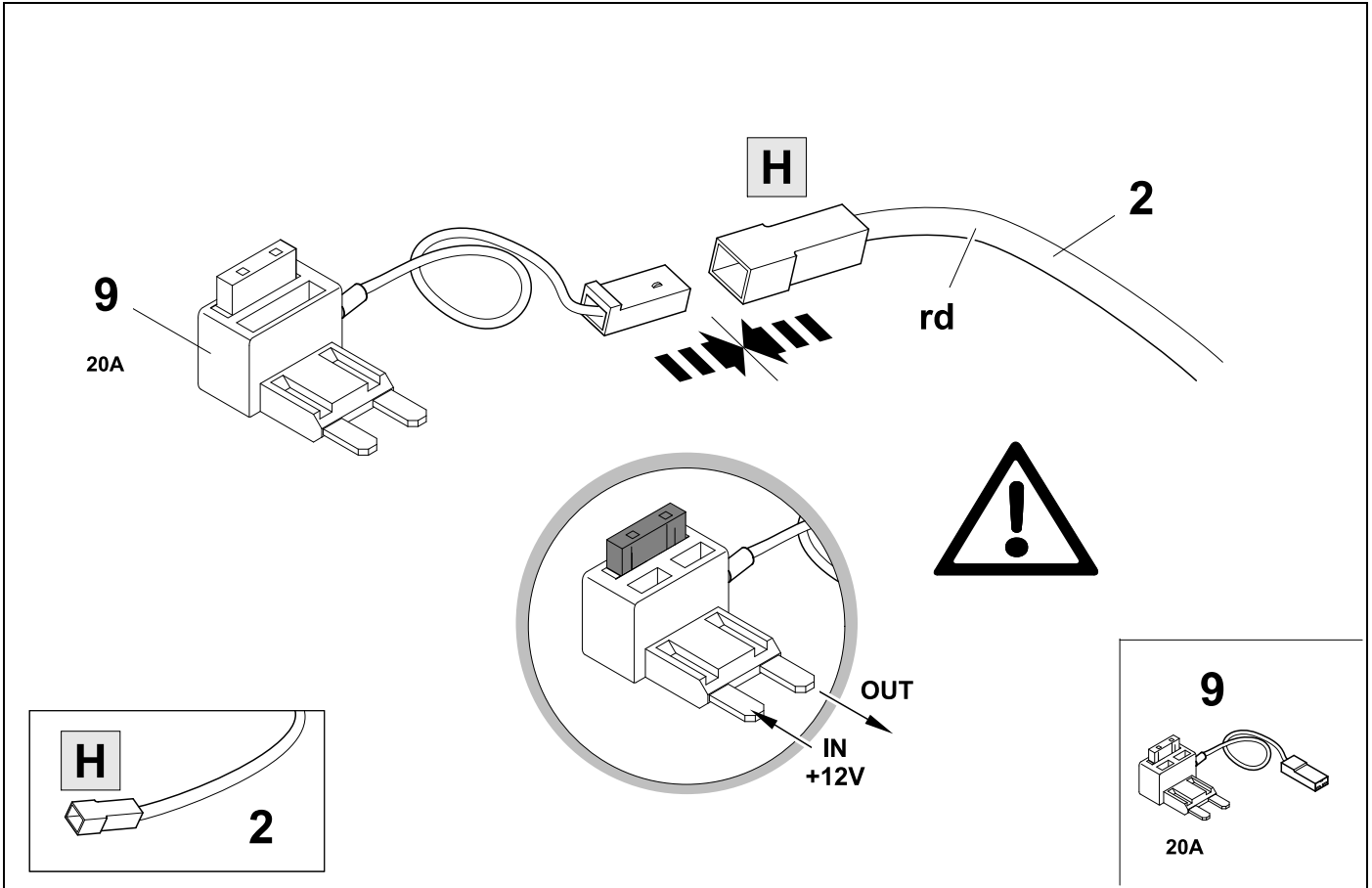
11

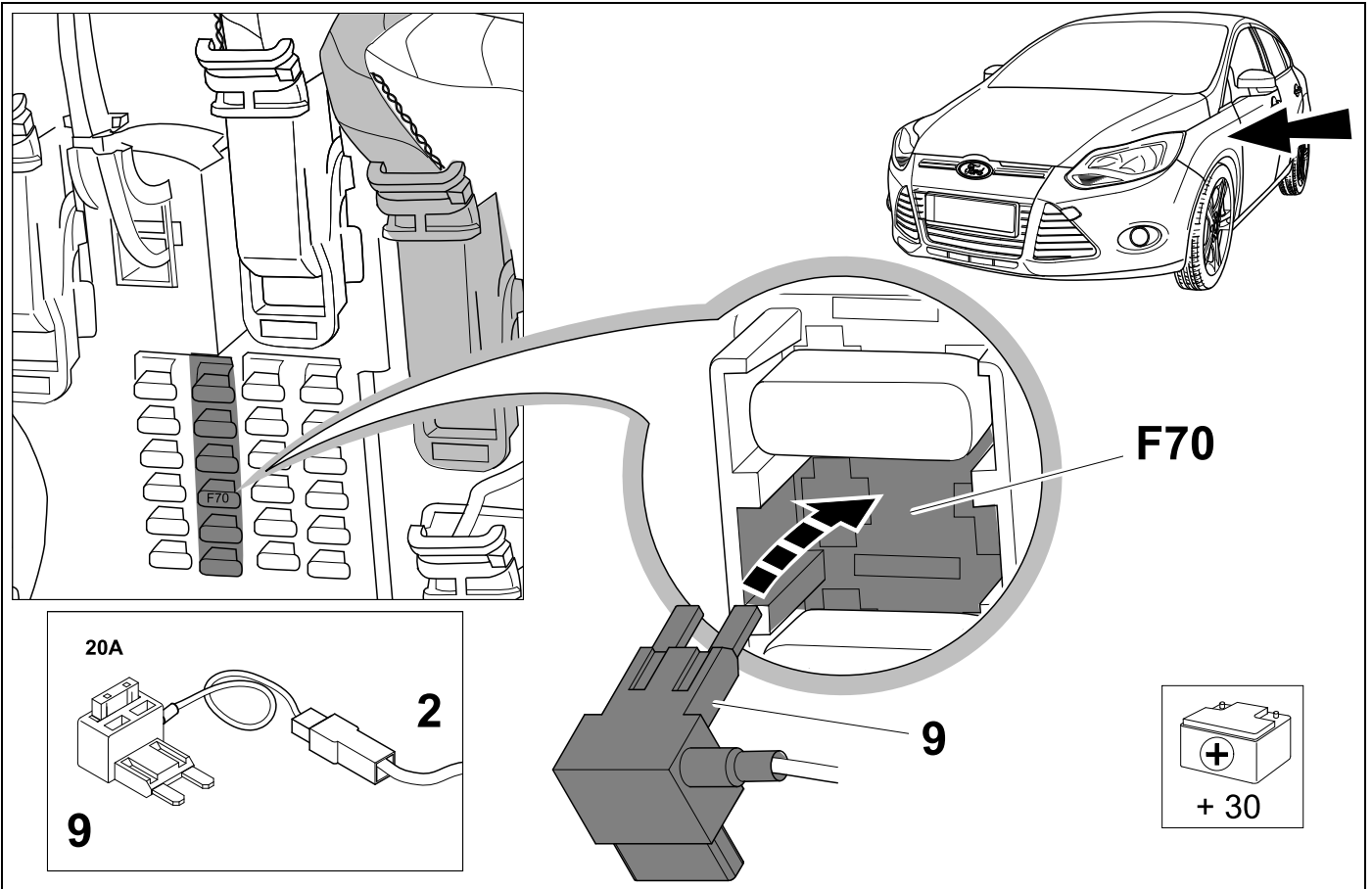


28

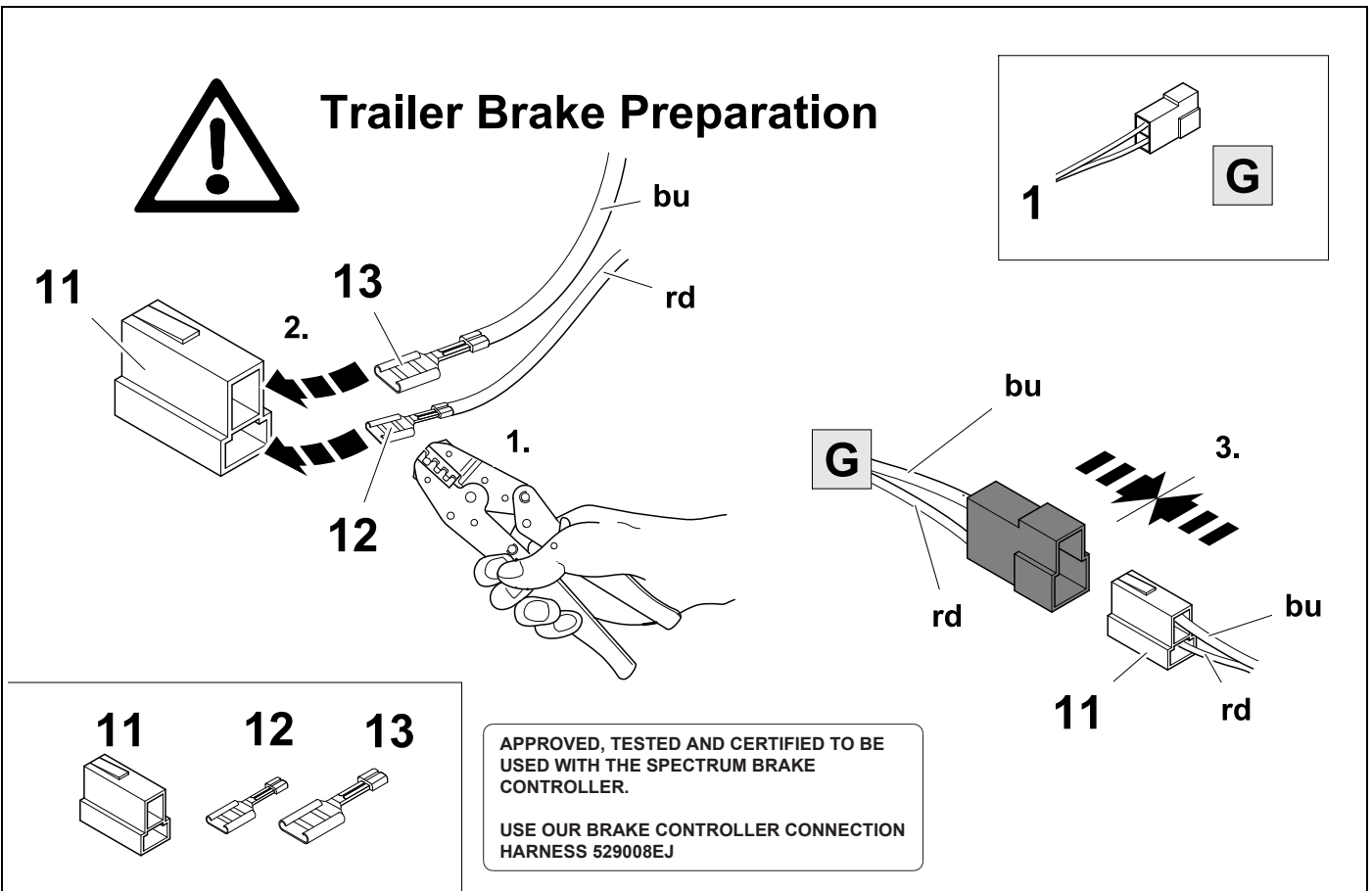


11 + 35

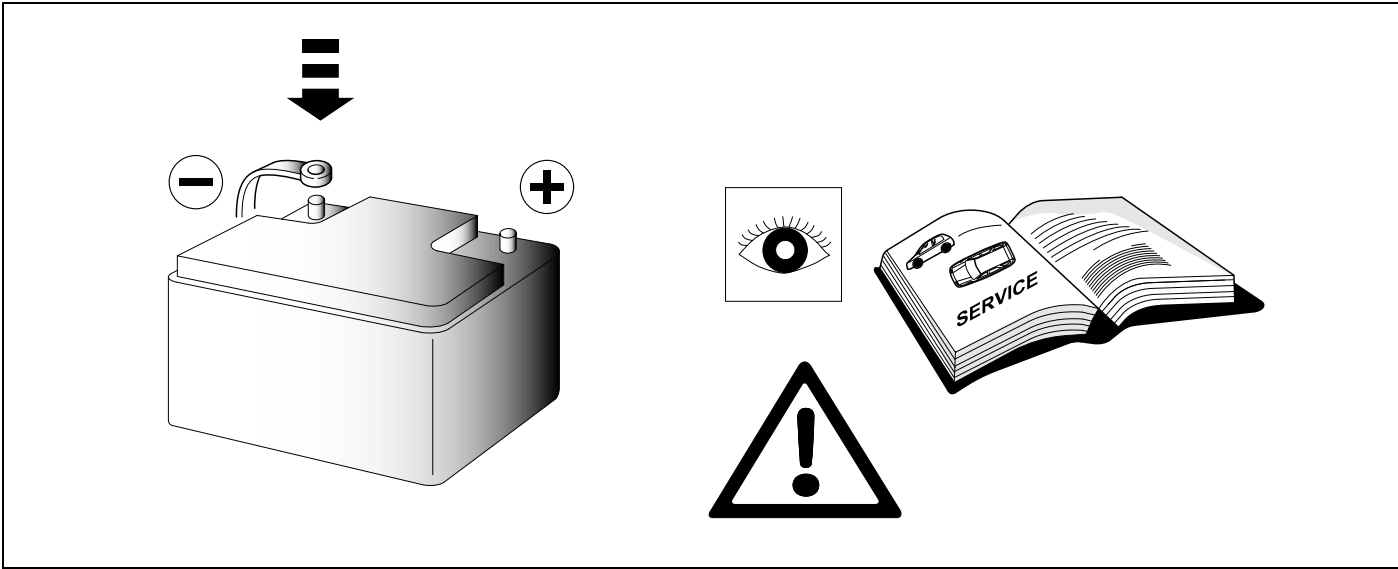




**OPTIONAL**

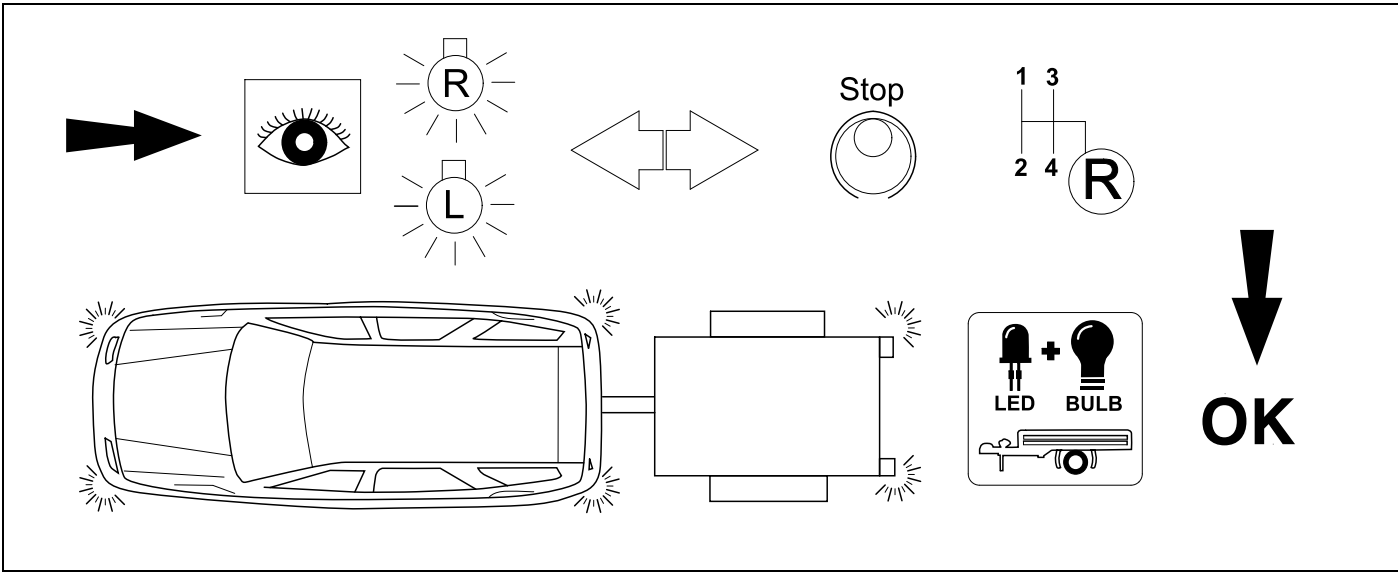


31



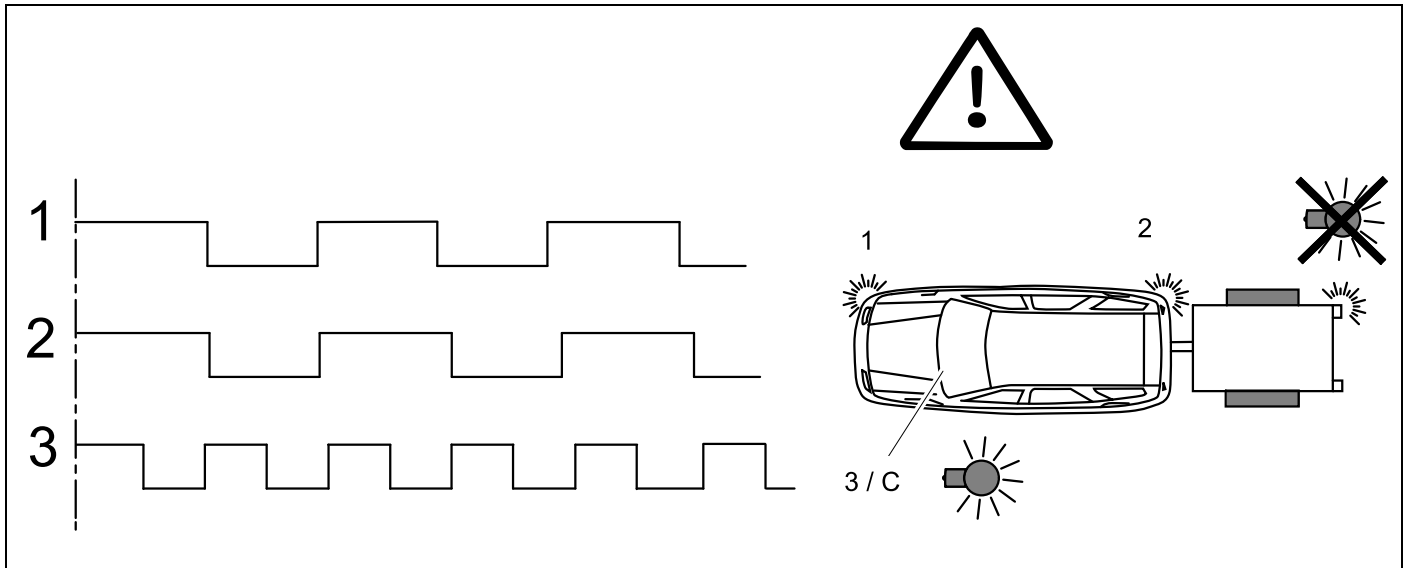
32

### CHECK ALL LIGHTING FUNCTIONS



33

# BULB OUT DETECTION



34



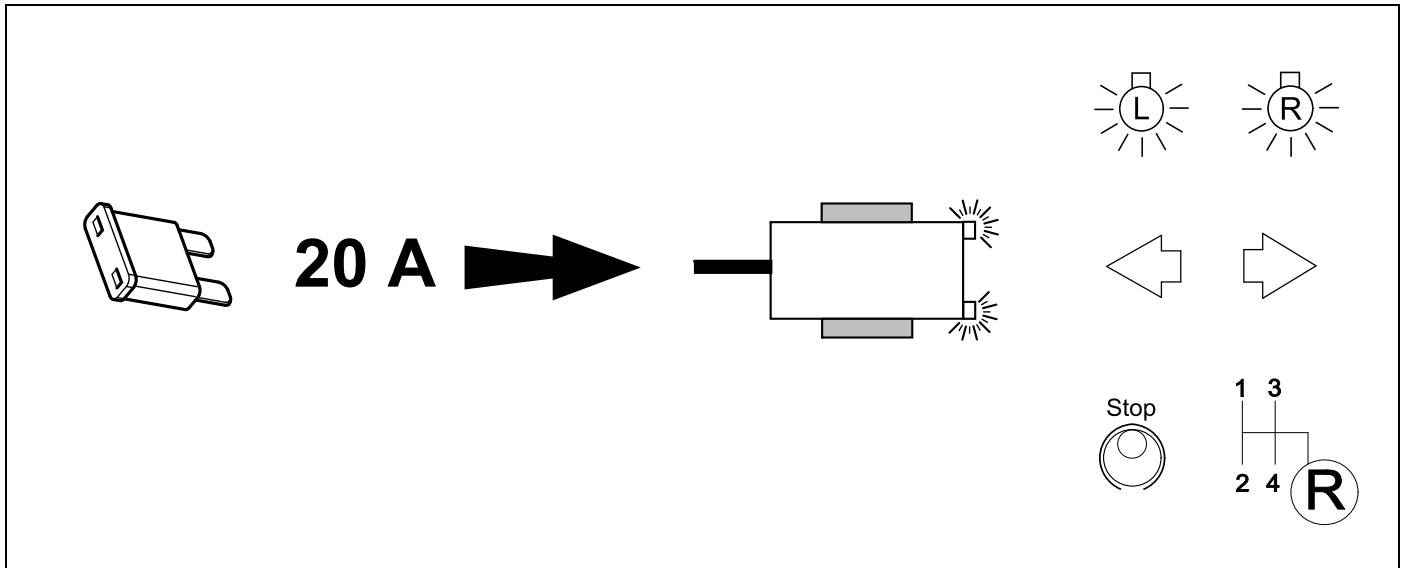
20

+

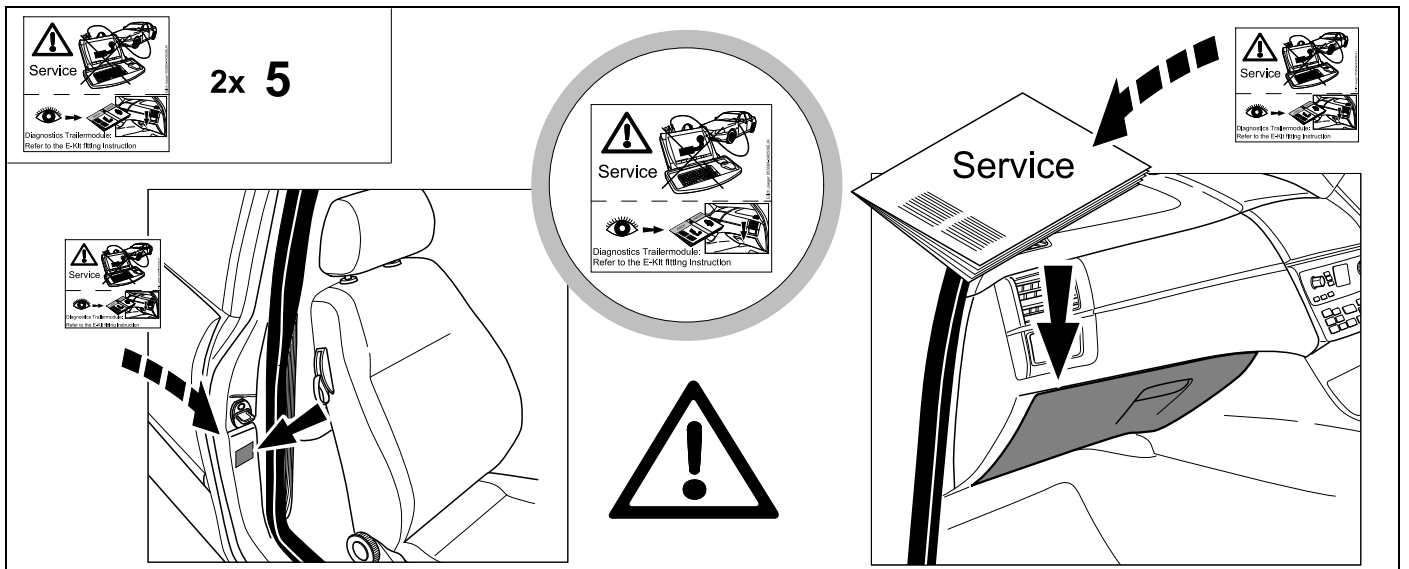
28

+

29



35

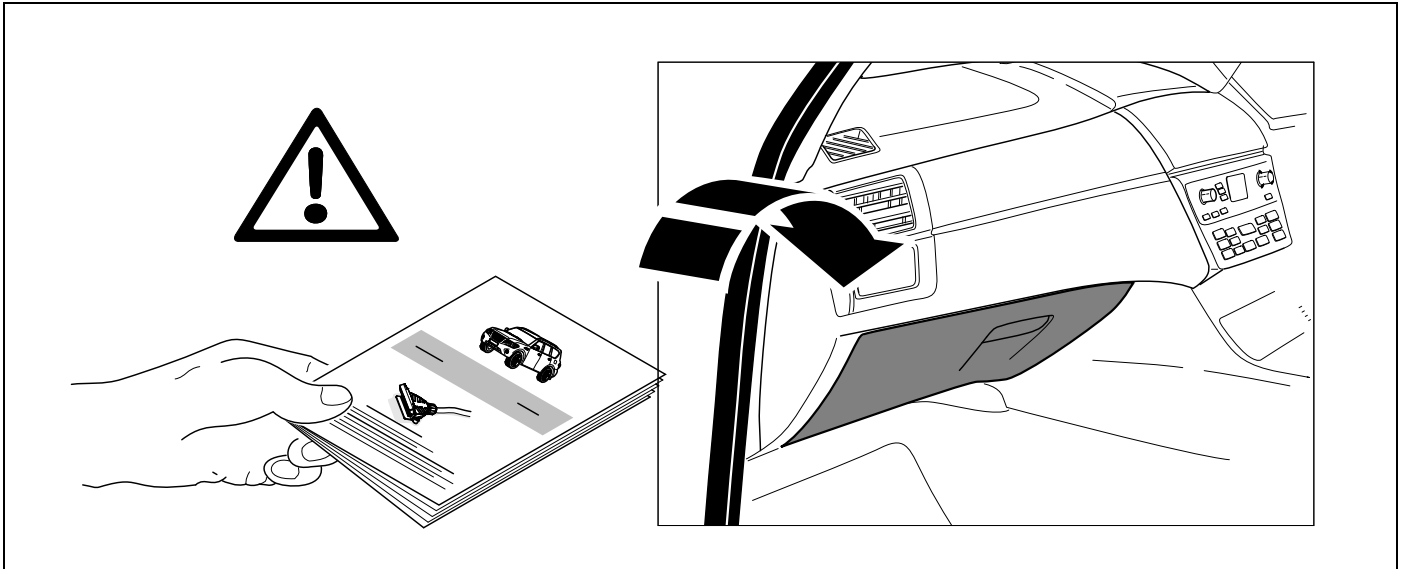












Subject to change in terms of construction, equipment and colour, and may contain errors.  
The information and illustrations are non-binding.

Scan this for our full E-Kit catalogue

