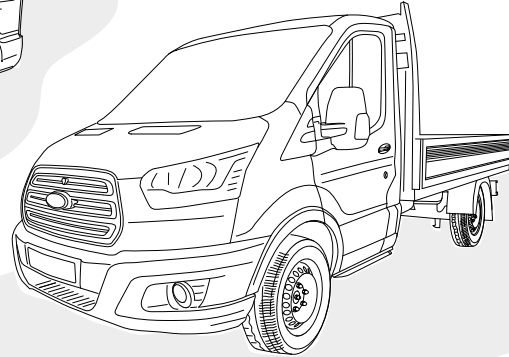
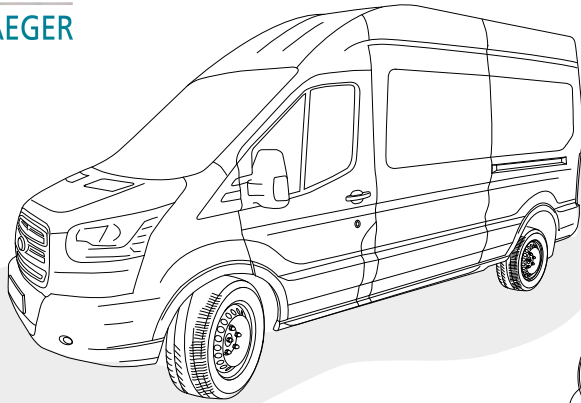




ERICH JAEGER

Installation instructions



750022EJ

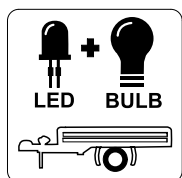
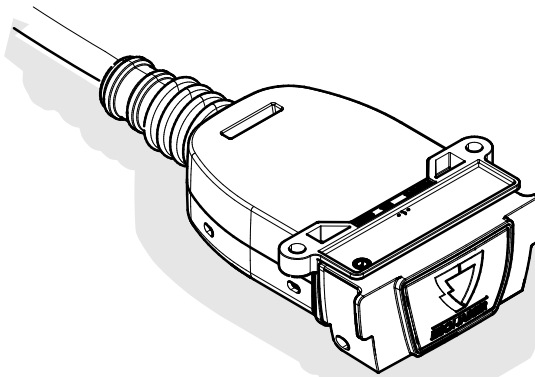
FORD TRANSIT Chassis Cab / Van
FORD TRANSIT Cargo Duratorq
Diesel

04/14 > 05/16

04/14 >



SCAN FOR
LATEST
INSTRUCTIONS



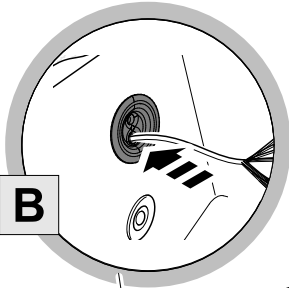
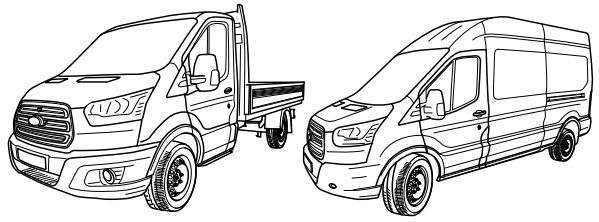
Reference:

The following information must be reviewed before beginning the assembly:

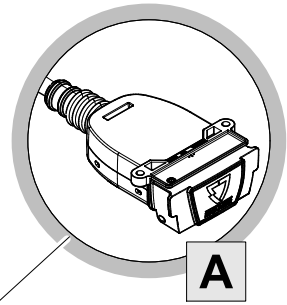
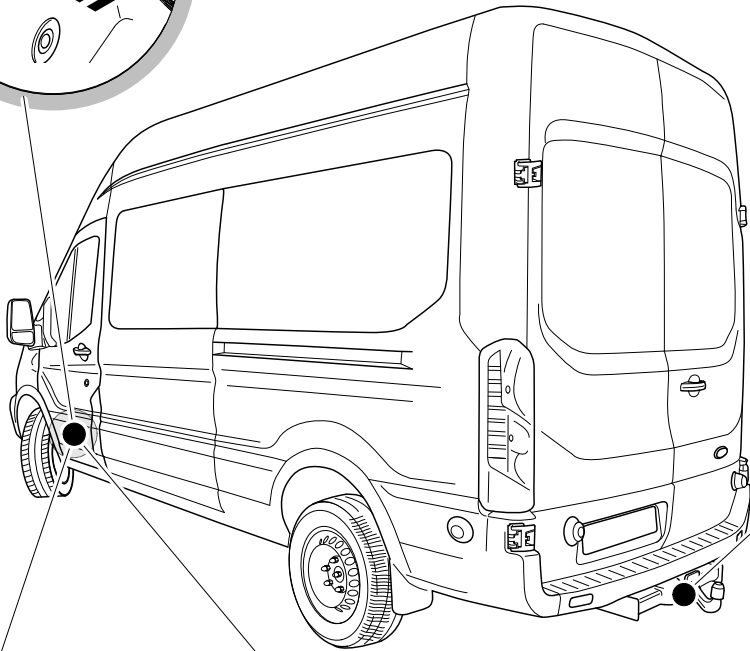
The installation instructions are to be thoroughly read.

The installation should be carried out by qualified personnel with the relevant technical knowledge. The vehicle manufacturers' current technical notices and information on retrofitting must be followed. The removal and replacement instructions found in the current repair manuals must be followed.

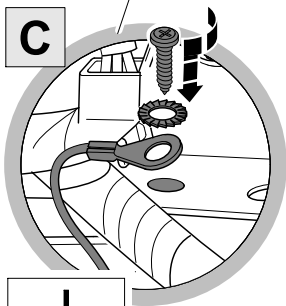
It must be ensured that the vehicle is technically suitable for the installation of a trailer hitch.



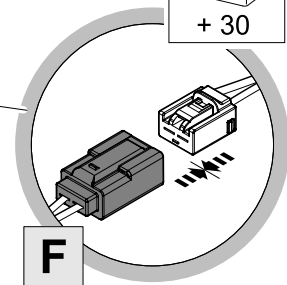
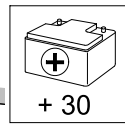
B



A



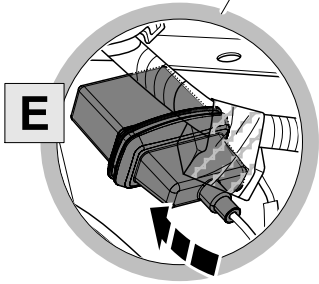
C



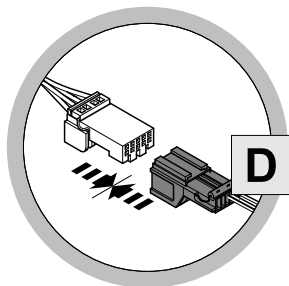
F

OPTION 1

OPTION 2

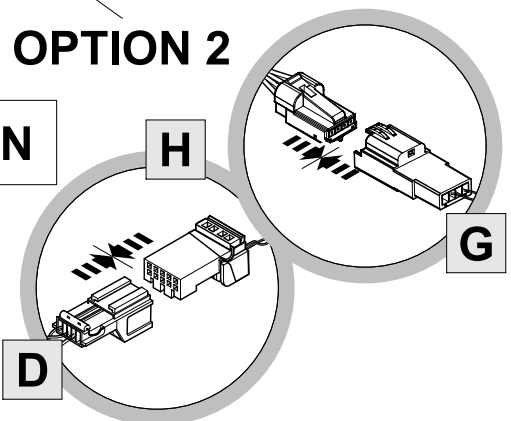


E



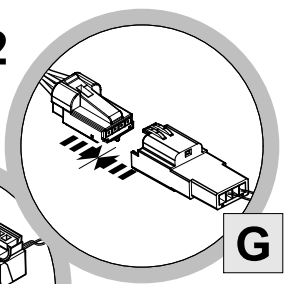
D

CAN



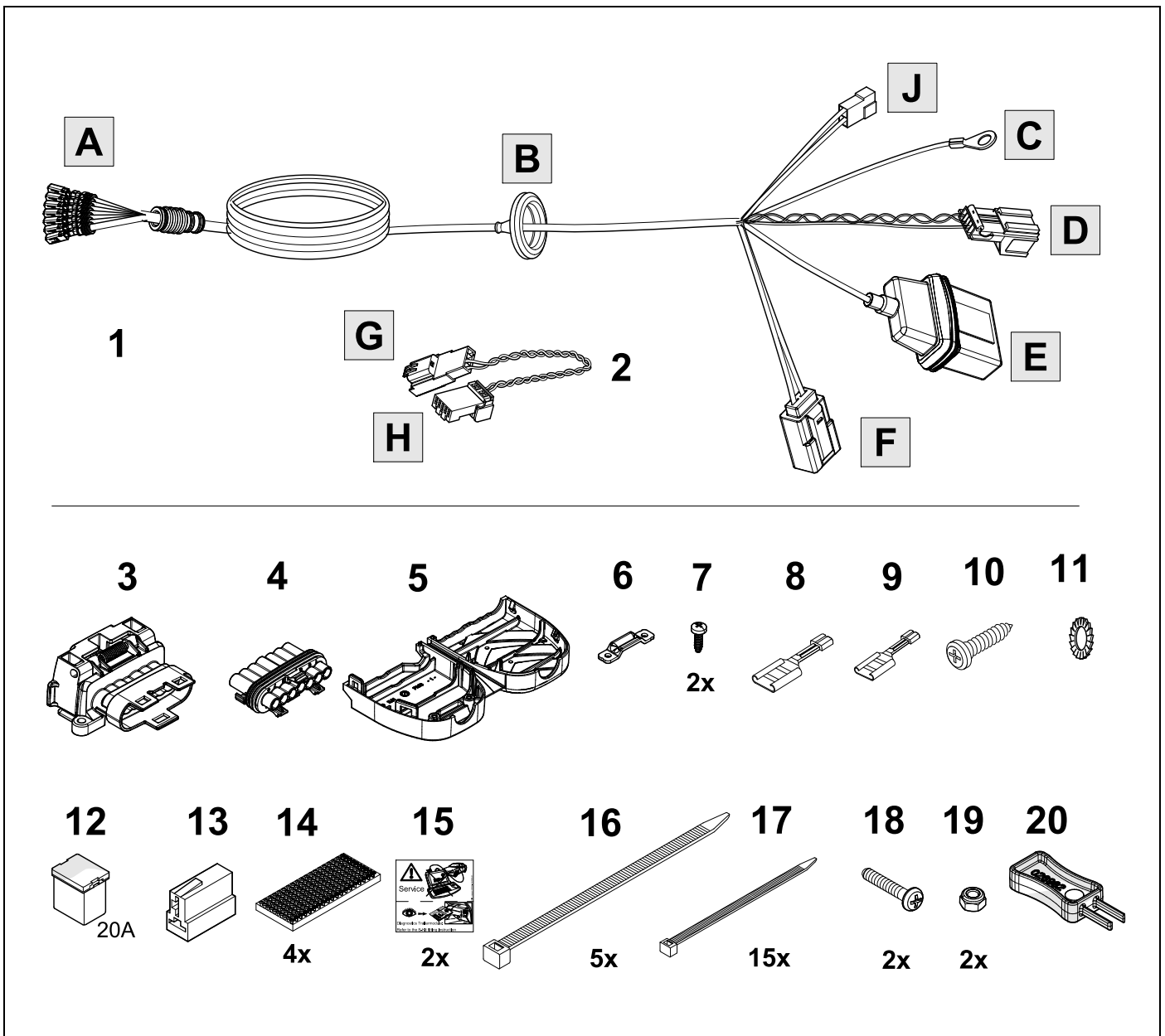
D

H

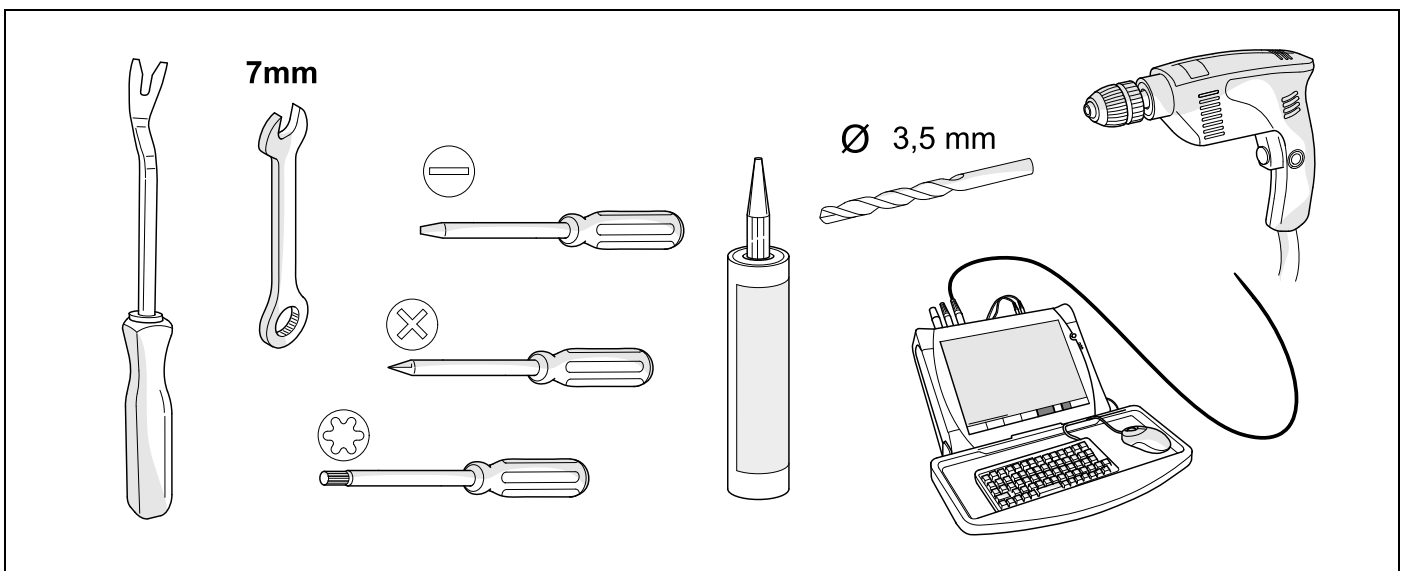


G

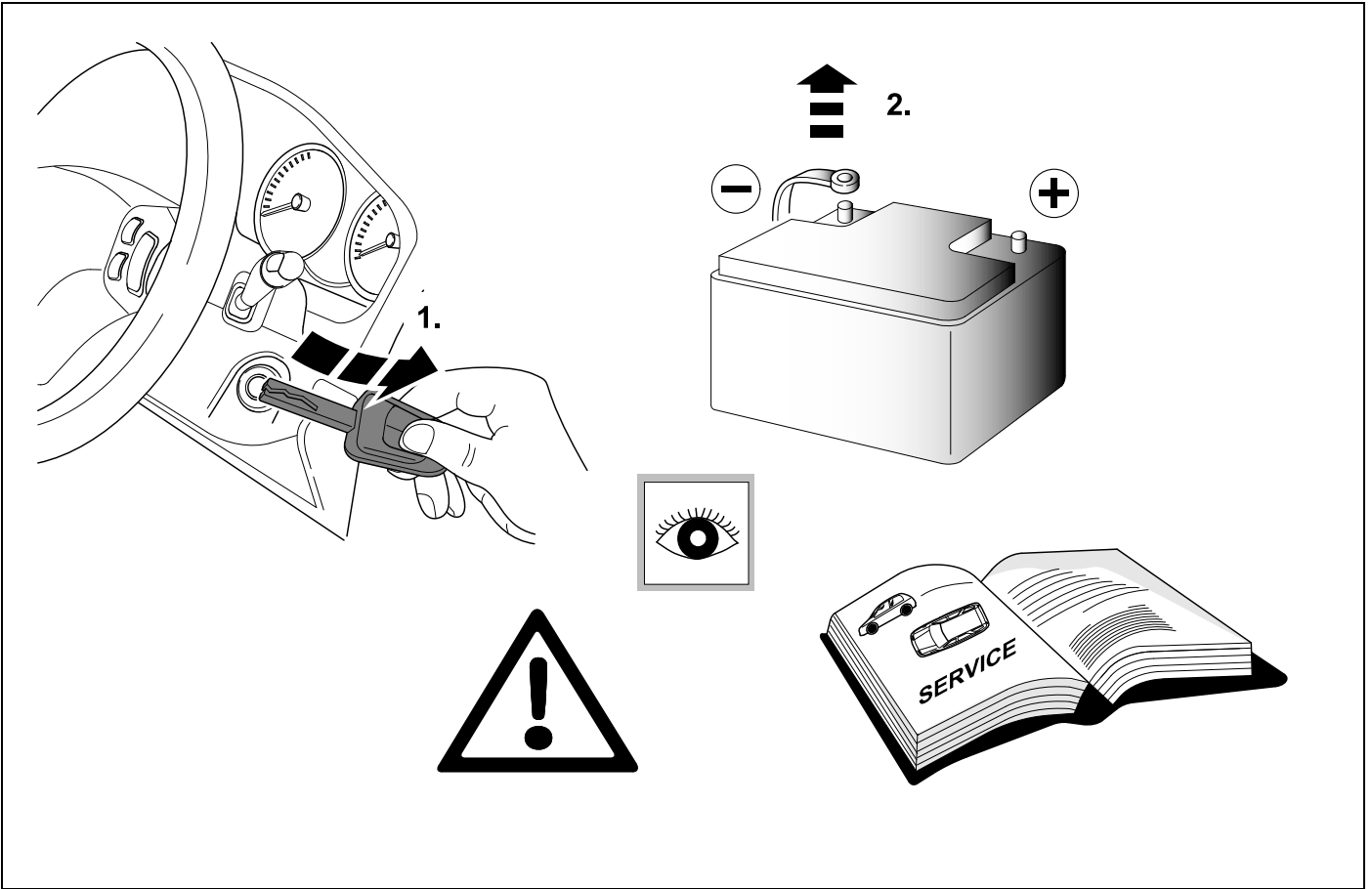
KIT



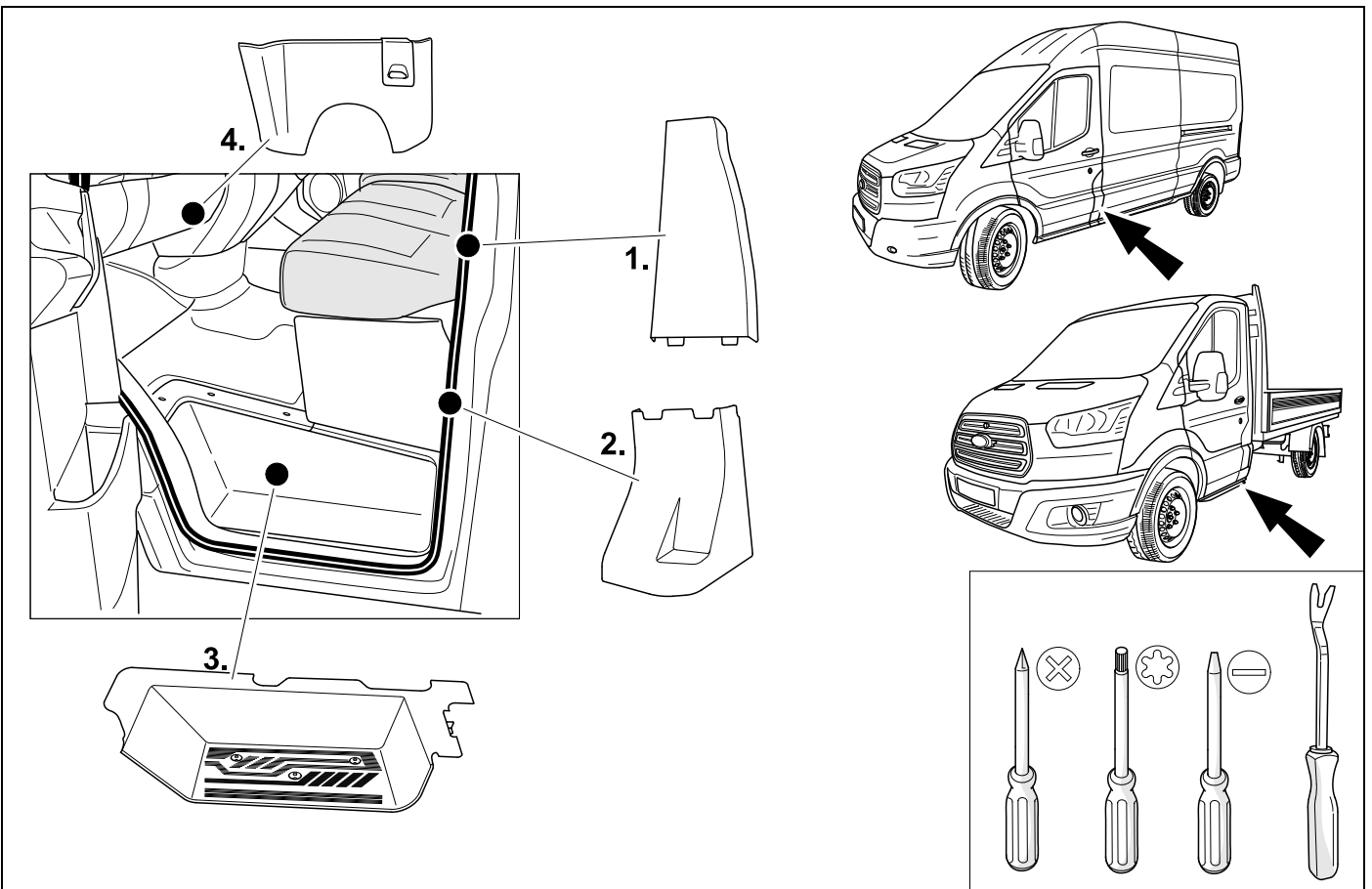
TOOLS



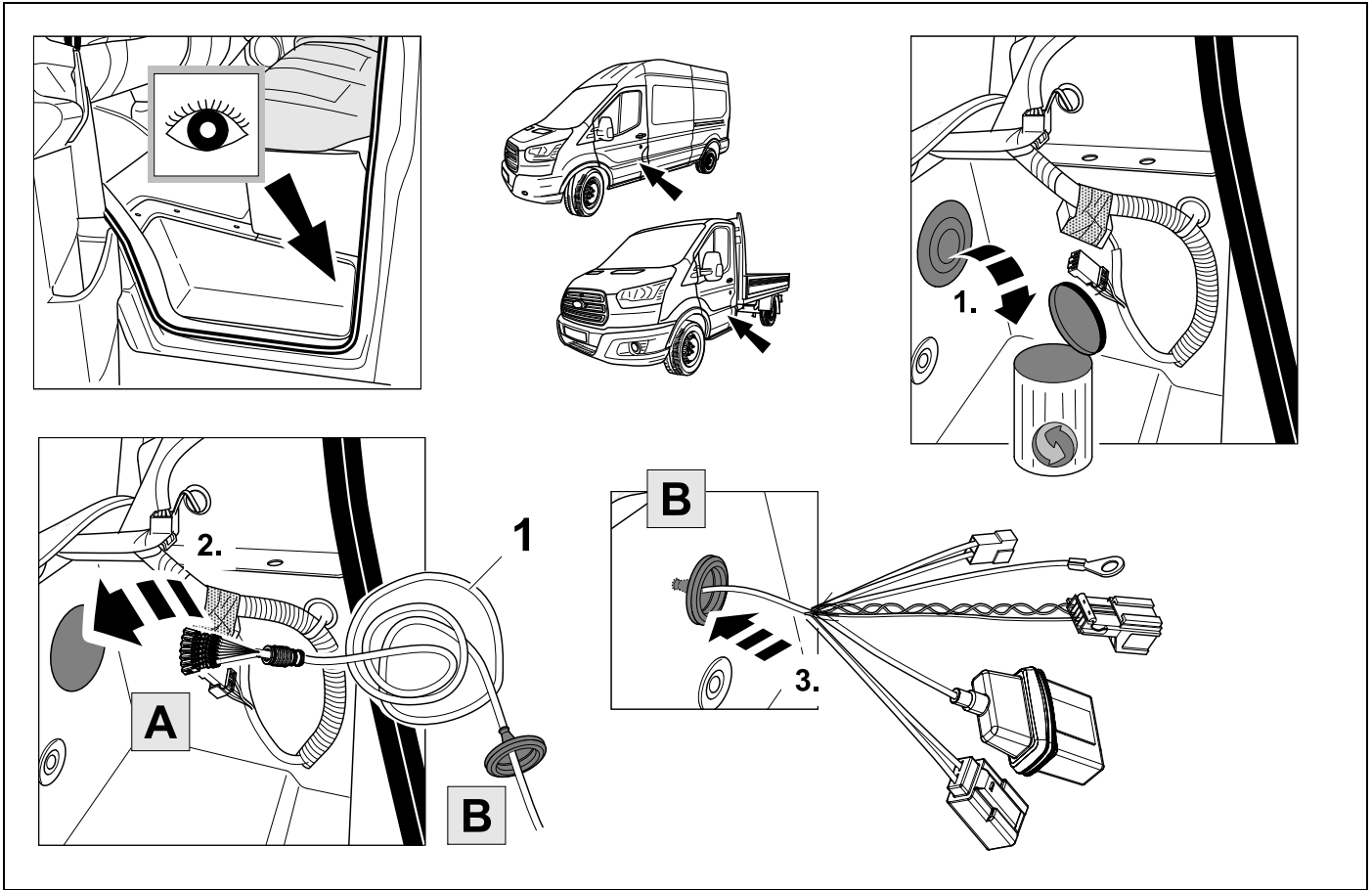
1



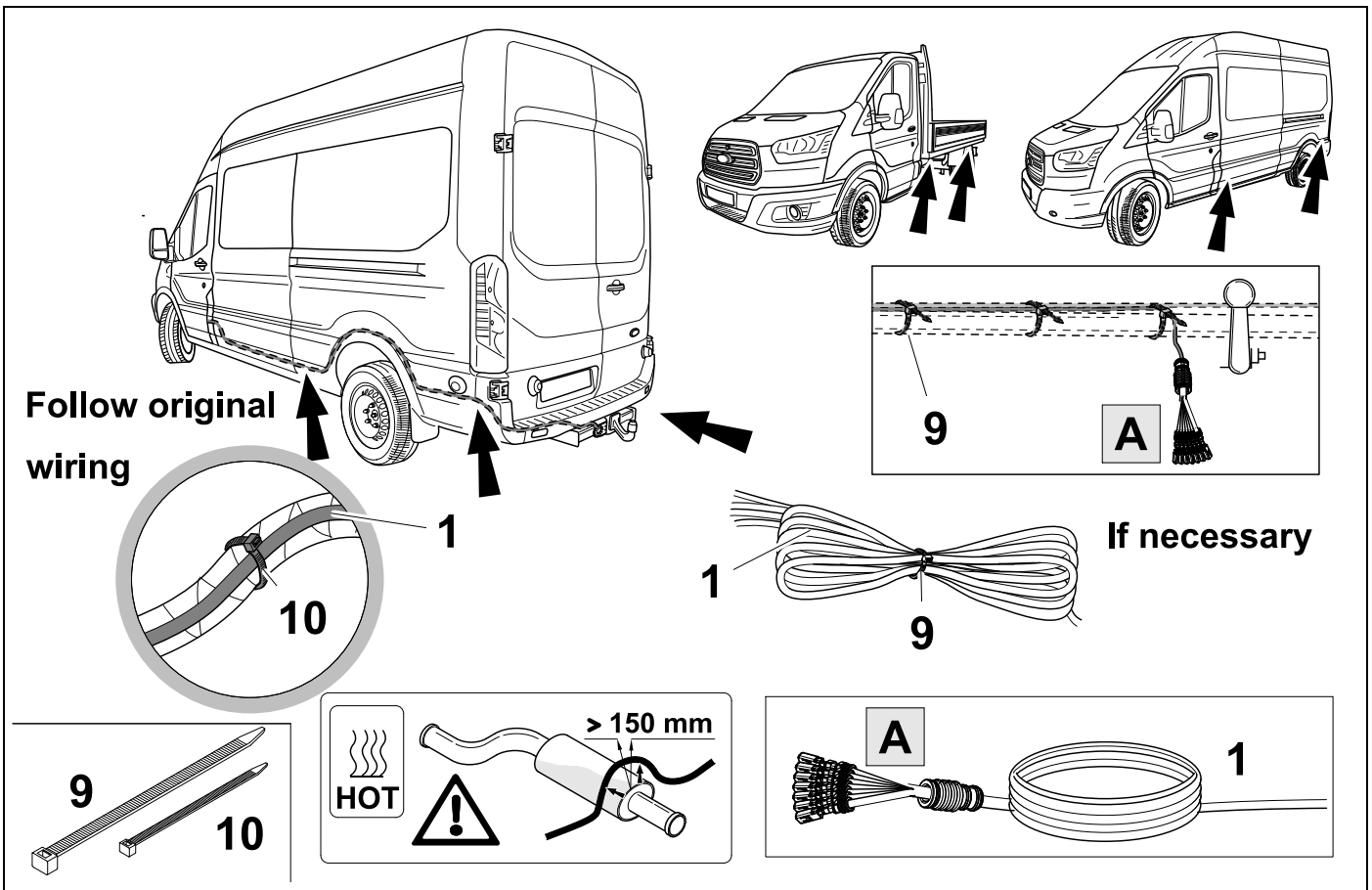
2 REMOVE

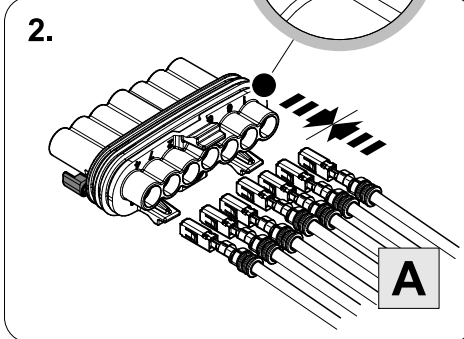
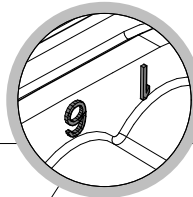
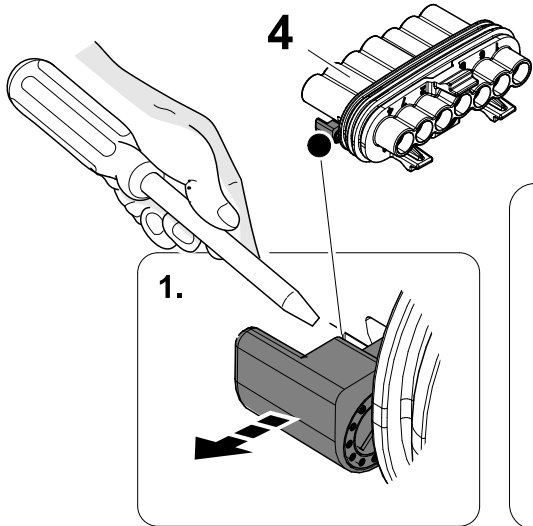


3

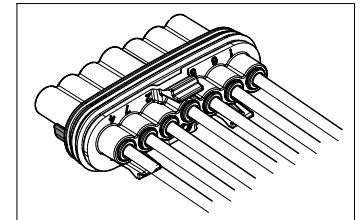
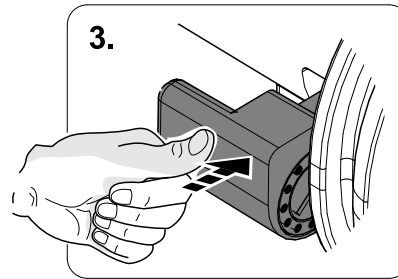
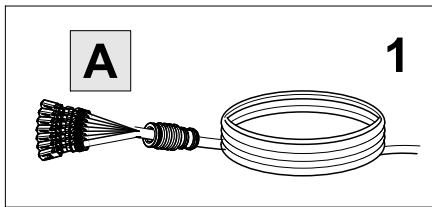


4

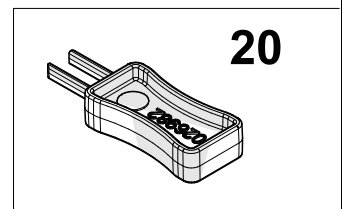
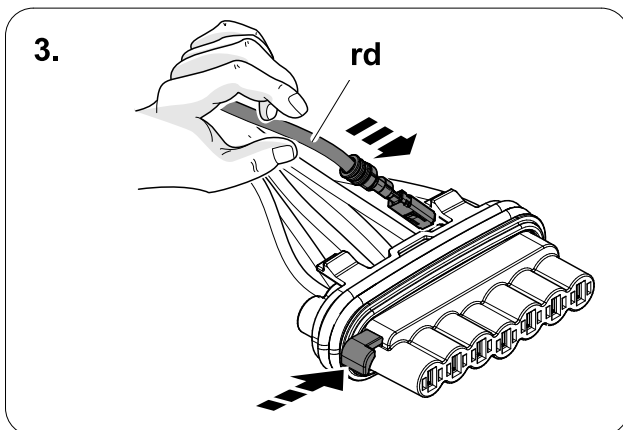
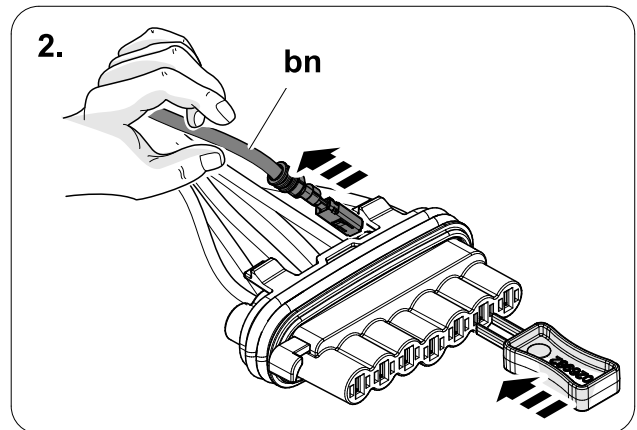
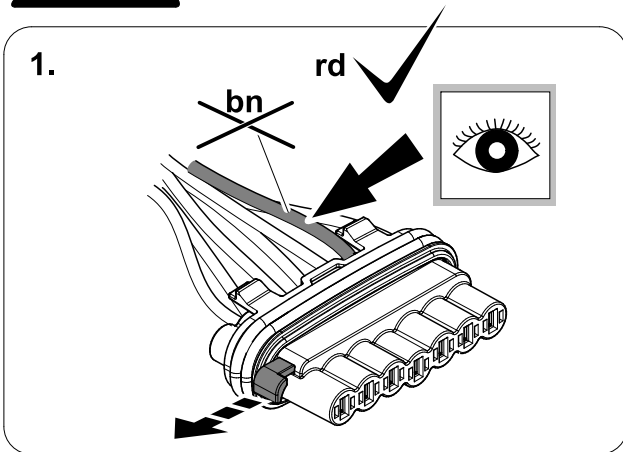




ye	1	
rd	6	
bu	5	
wh	3	
bk	2	
bn	7	
gn	4	

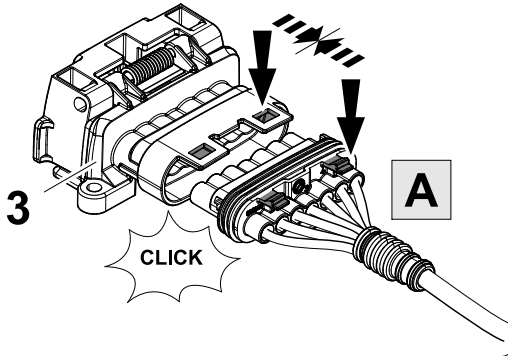


In case of wrong pin insert:

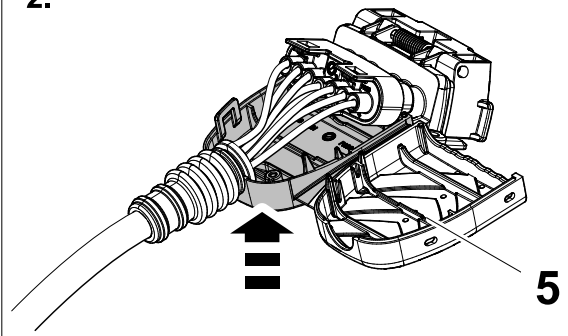


6

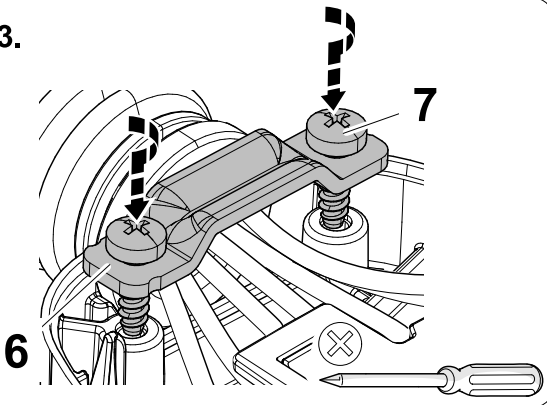
1.



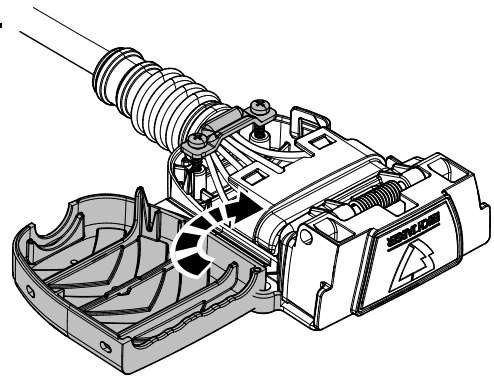
2.



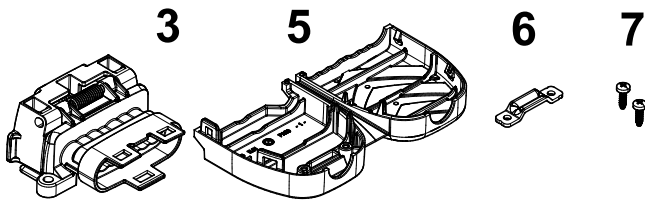
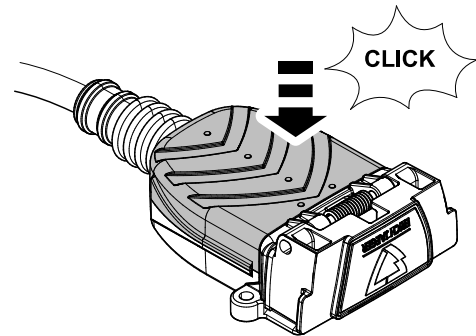
3.



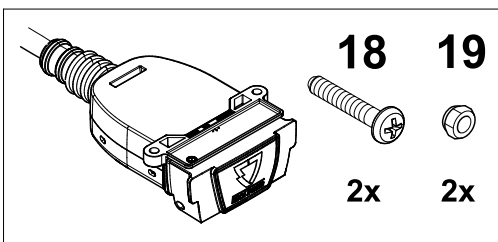
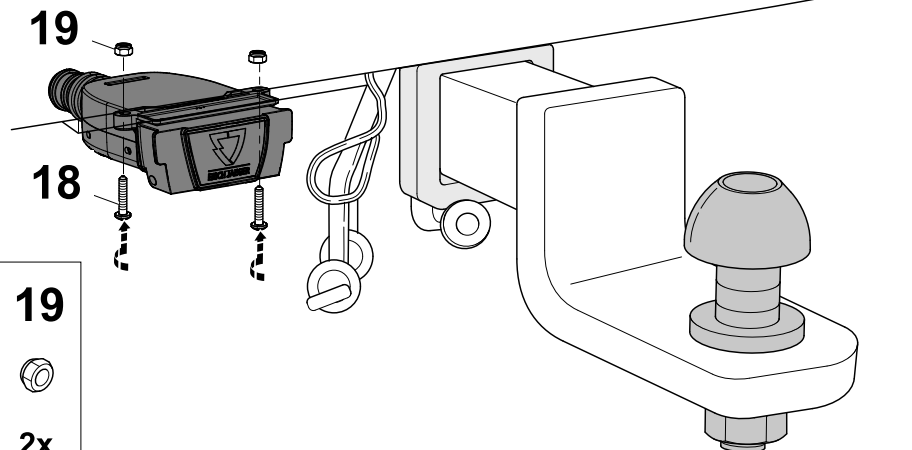
4.



5.



7



8



1	ye	
2	bk	
3	wh	
4	gn	
5	bu	
6	rd	
7	bn	

9 bk wh gy gn rd bu ye bn pu or no

	black	white	grey	green	red	blue	yellow	brown	purple	orange	not occupied
--	-------	-------	------	-------	-----	------	--------	-------	--------	--------	--------------

10



1.

2.

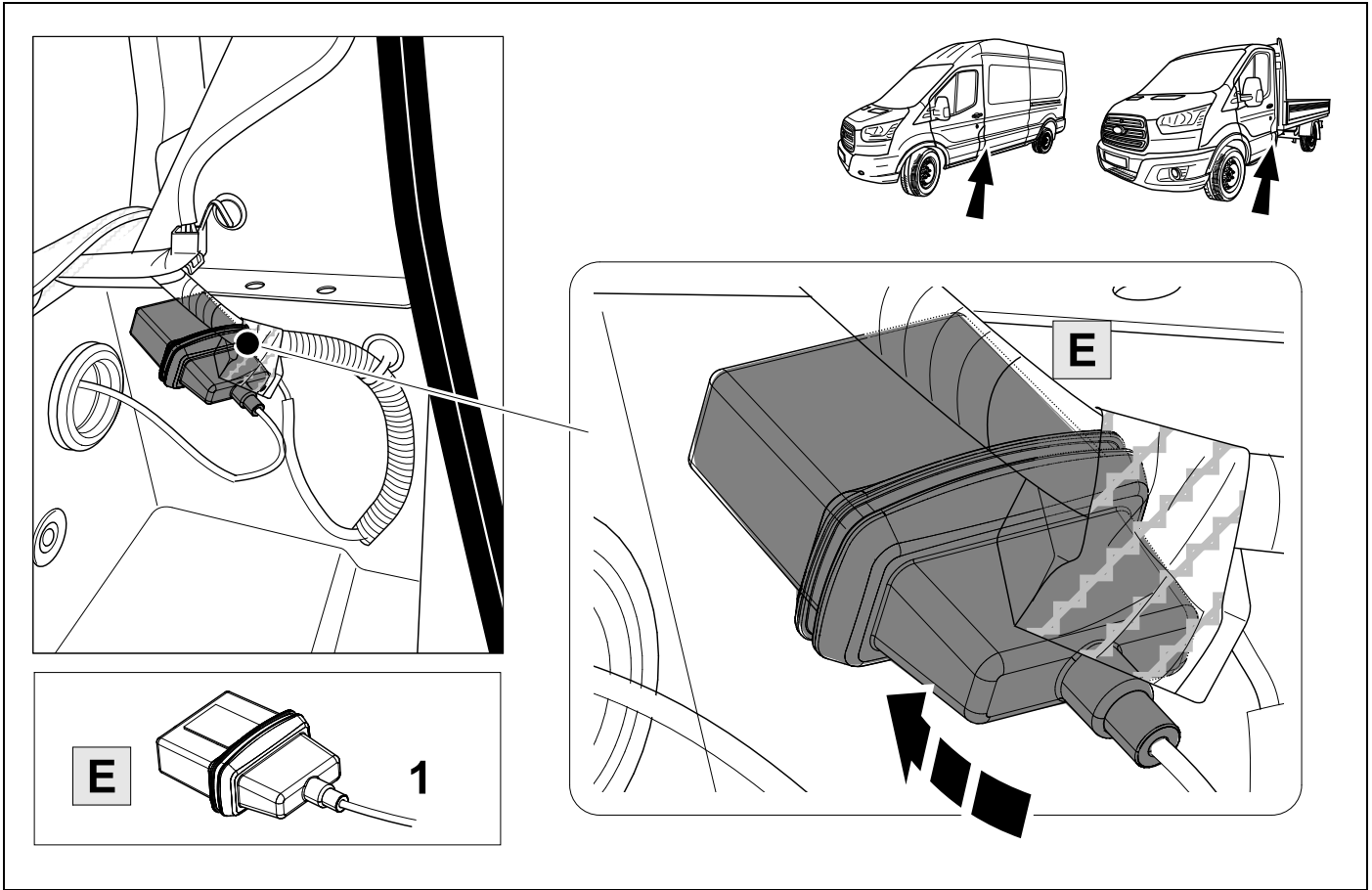
3.

4.

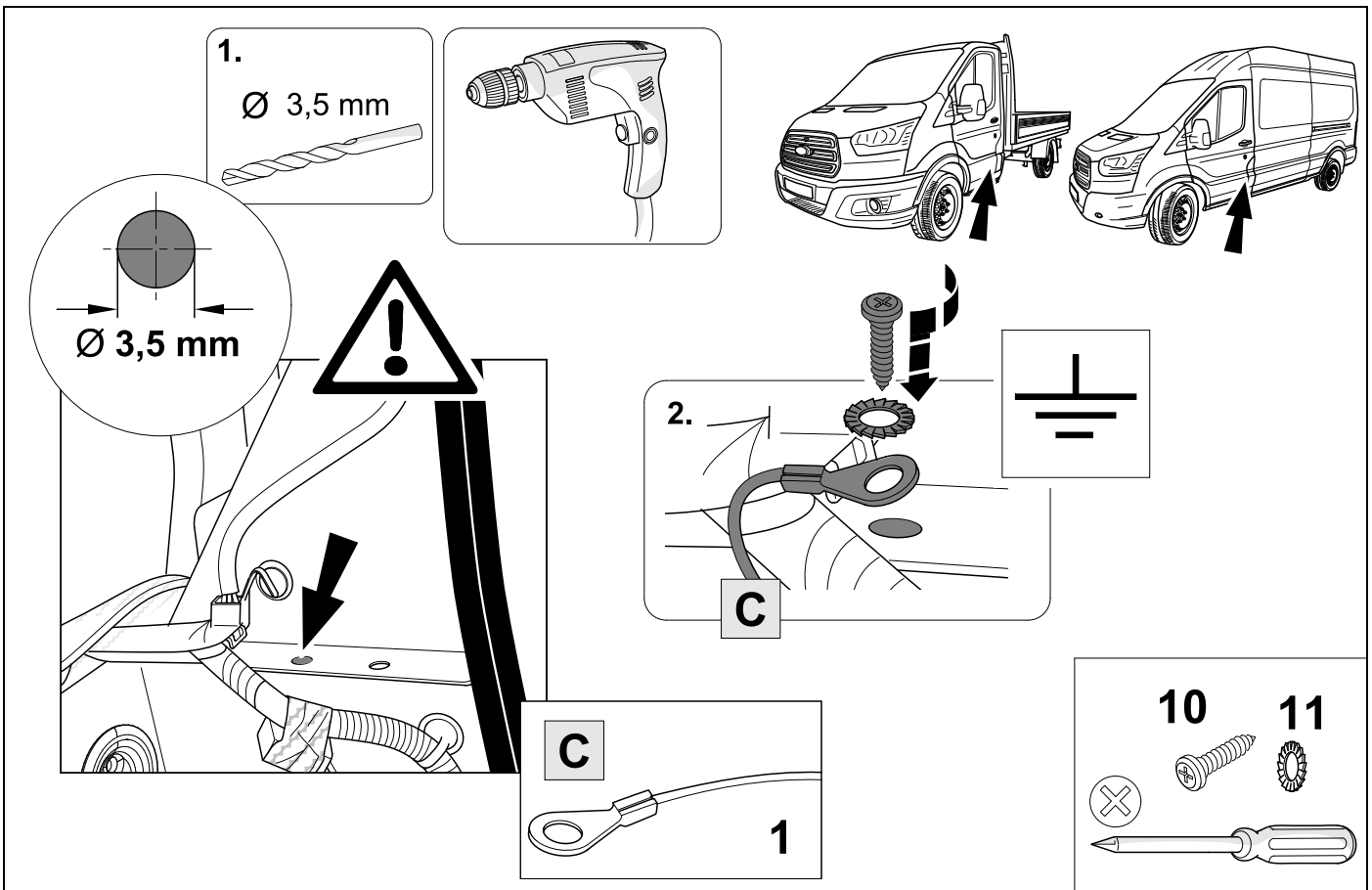
5.

14
4x

11



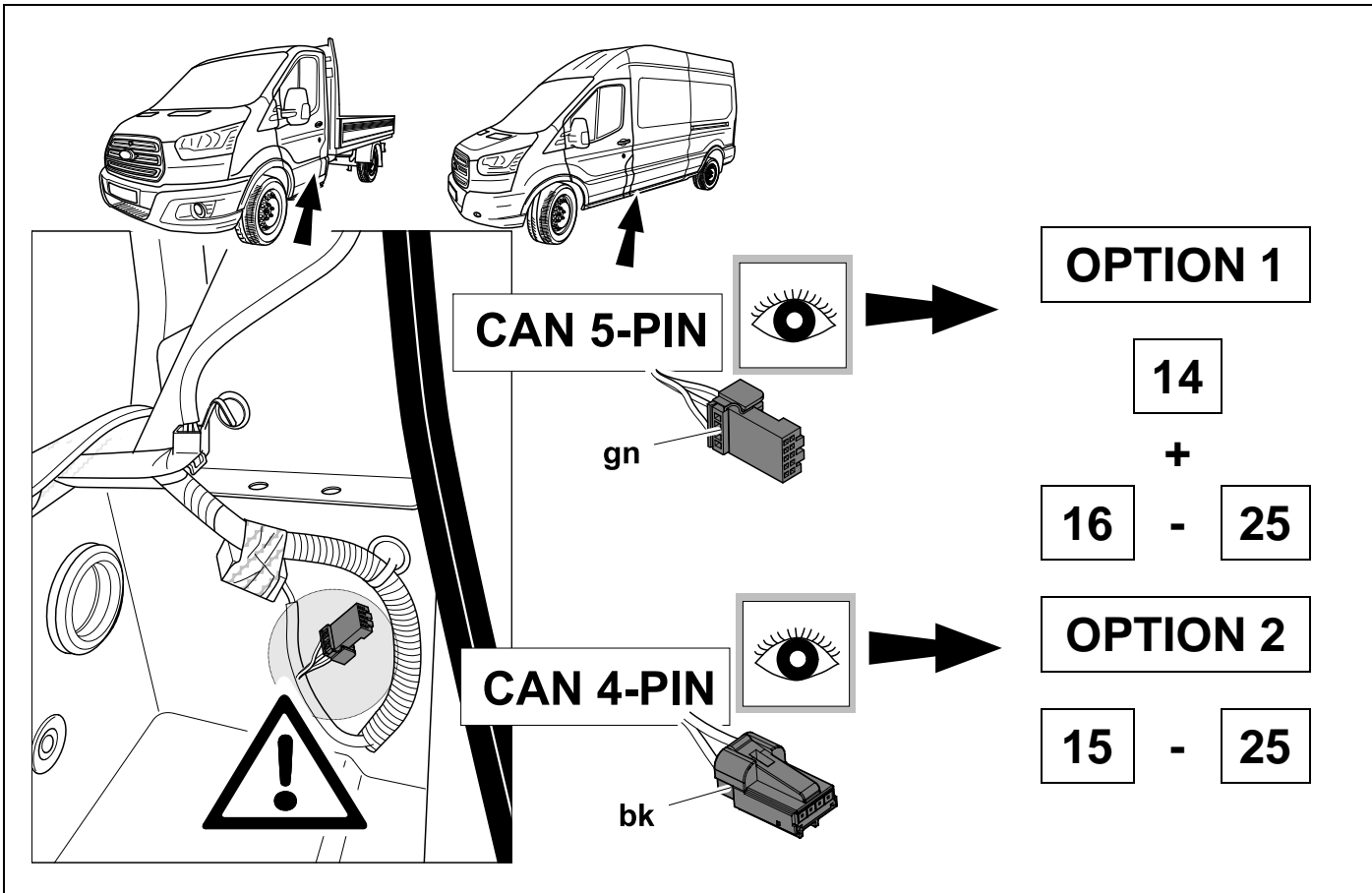
12



13



9

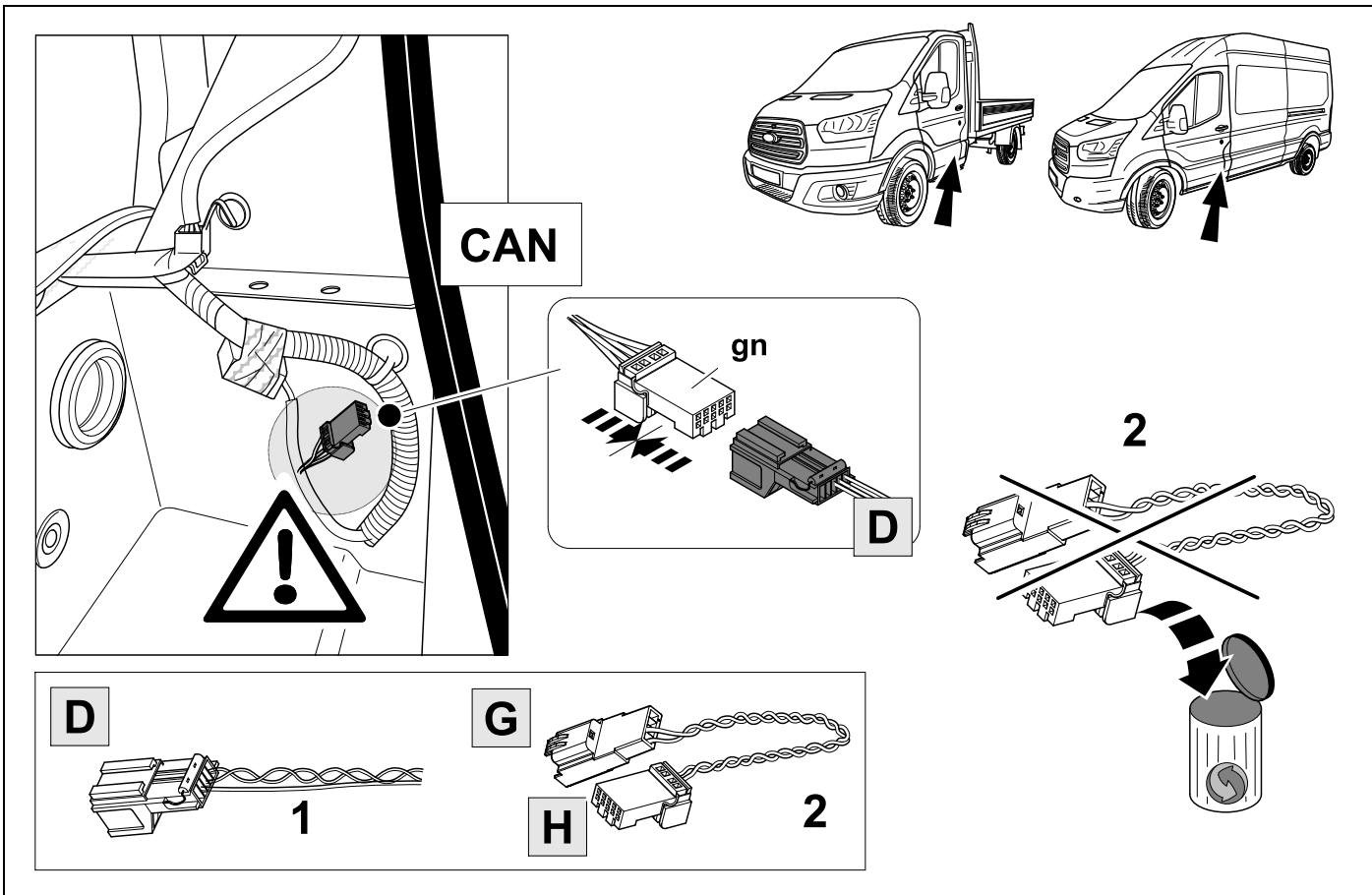


14



9

OPTION 1



CAN

1. **bk** **G**

2. **H** **D**

D **G** **H** **1** **2**

+ 30

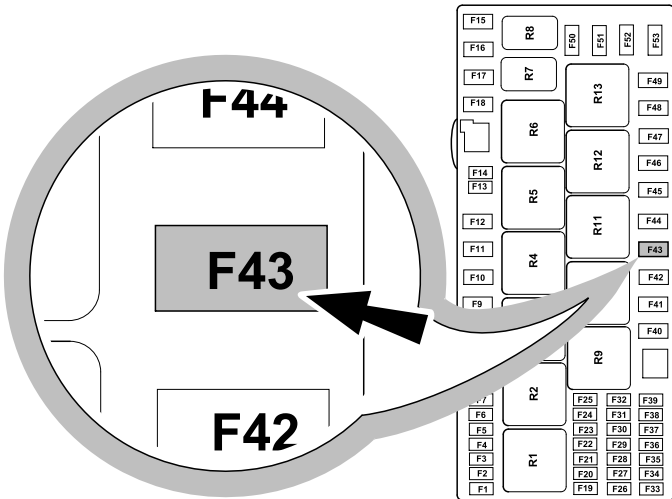
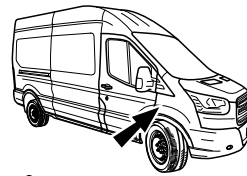
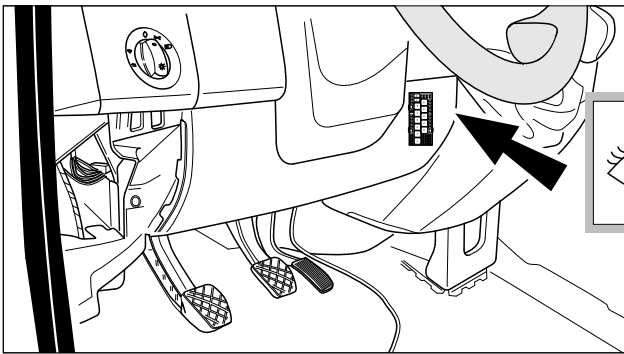
1. **F**

2. **F**

17

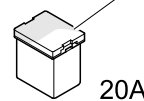


20



12

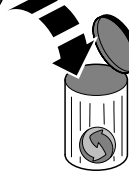
2.



1.



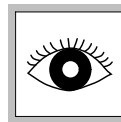
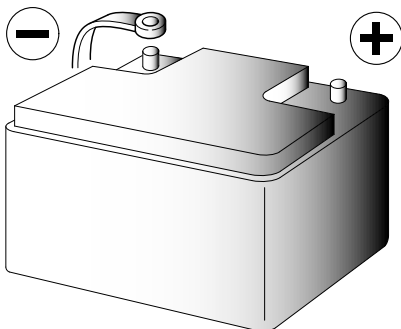
30A



12

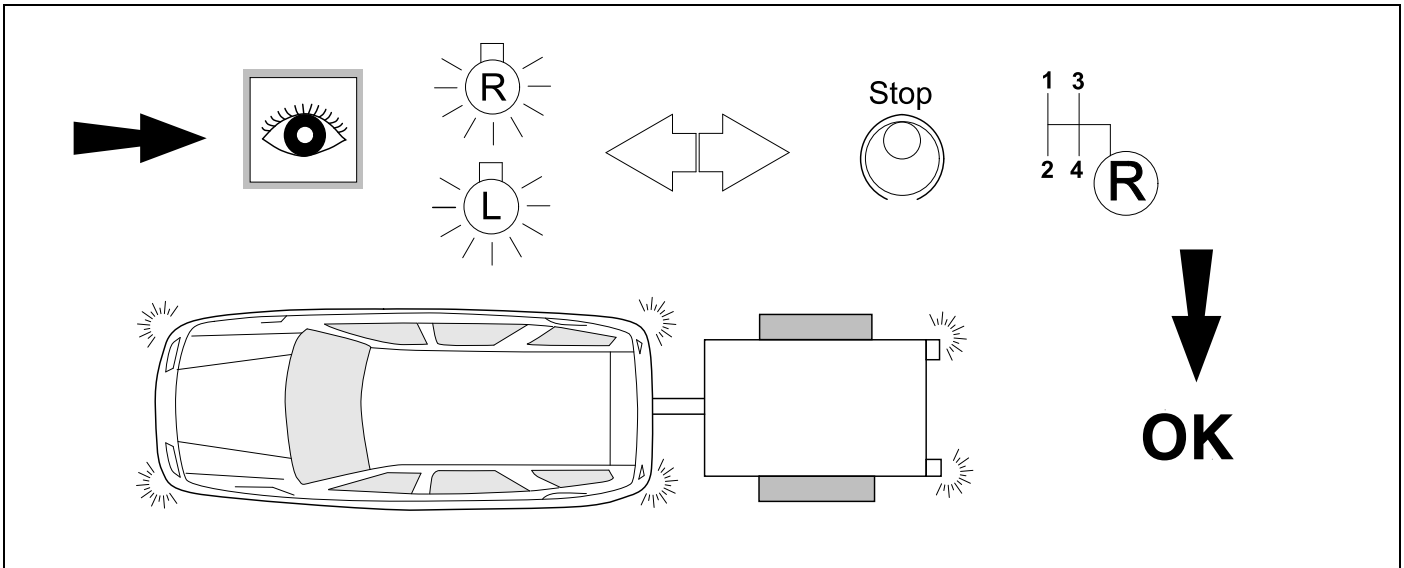
20A

18



19

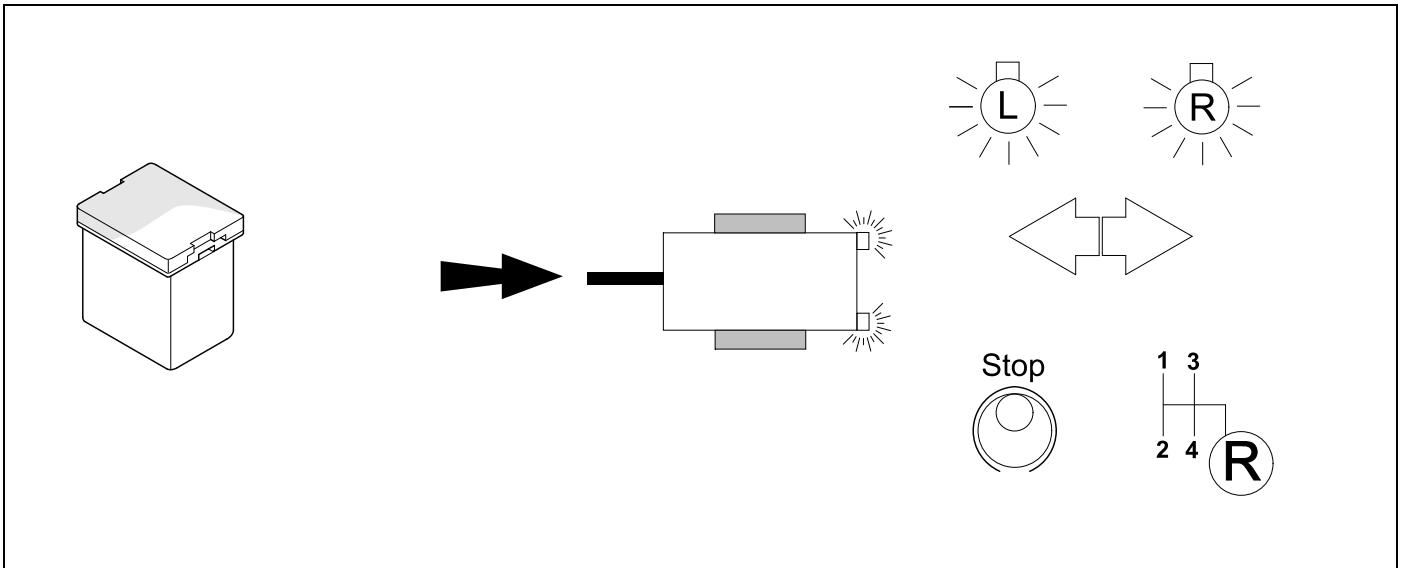
CHECK ALL LIGHTING FUNCTIONS



20

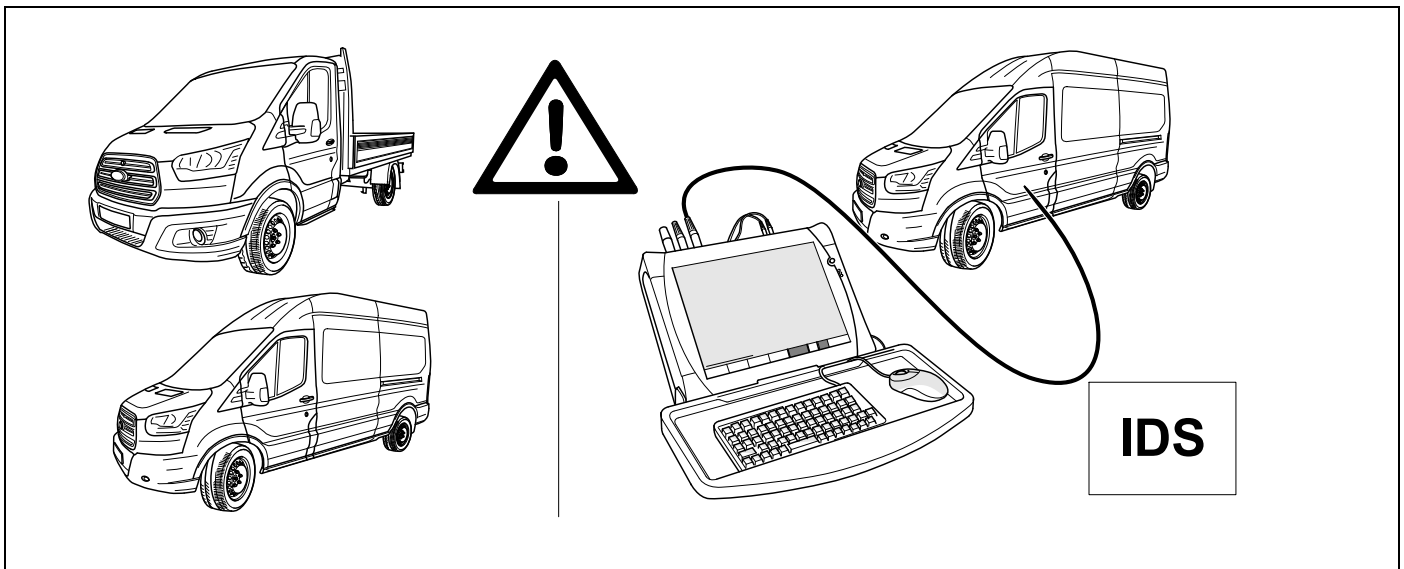


17



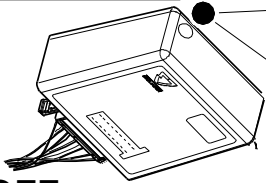
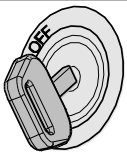
21

CODING



Status LED for self-diagnosis

Operation Support



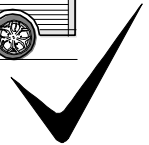
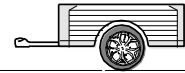
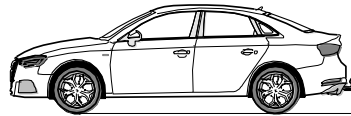
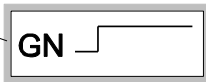
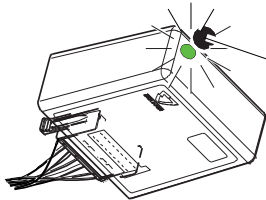
No CAN-Data =



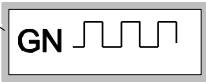
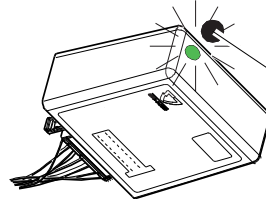
Standby / Sleepmode



Ignition OFF



Ignition ON



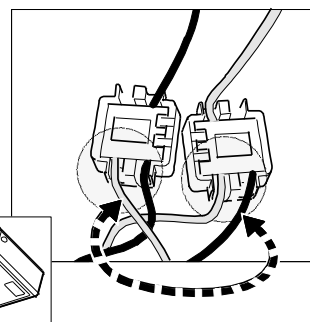
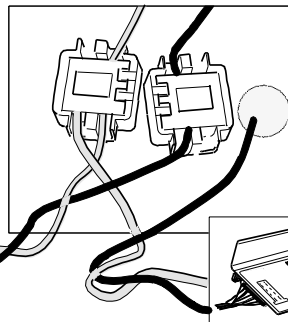
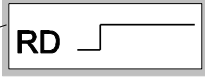
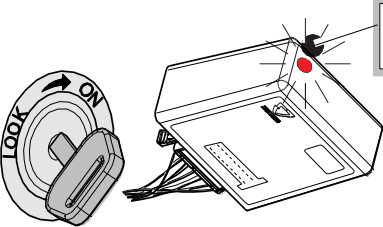
Ignition ON

Failure Support

CAN-Data Wire

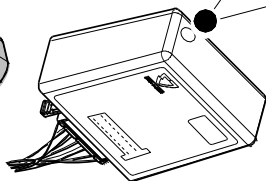
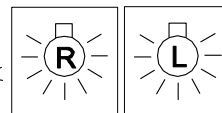


1x max. 5 min.

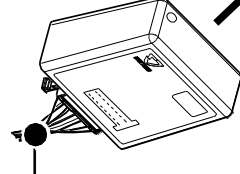
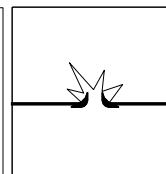
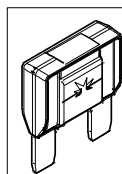
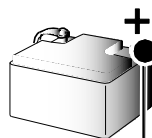
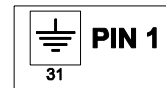


Ignition ON

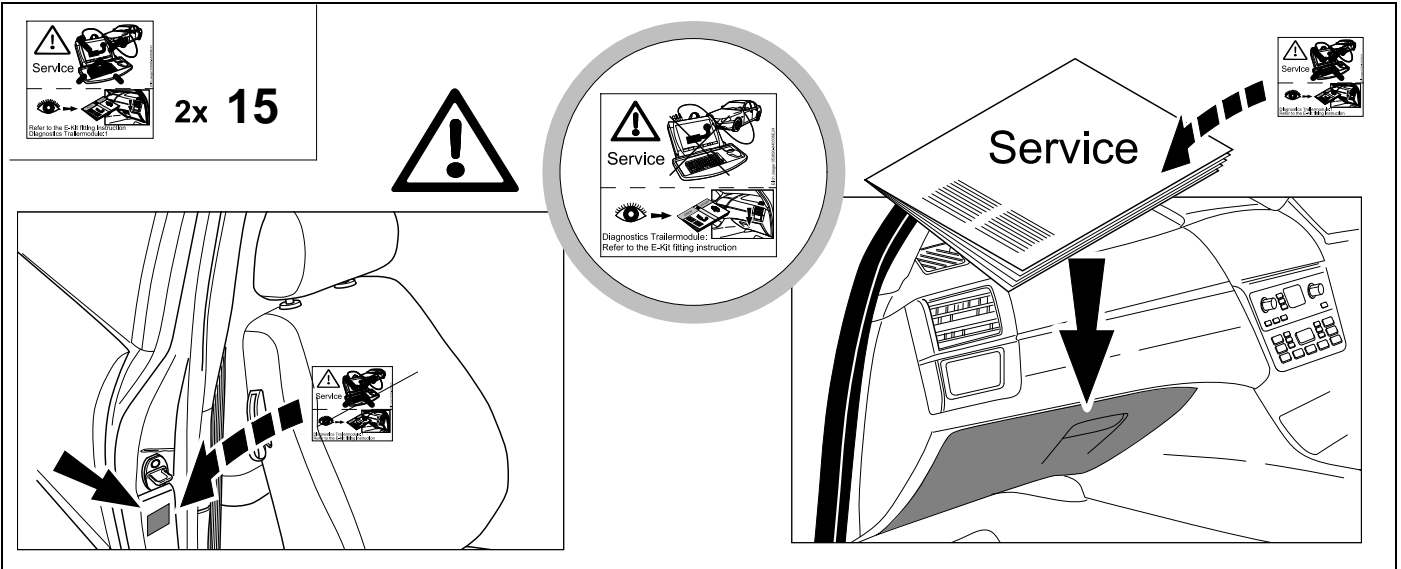
Failure indicated by the module LED glowing red for a maximum of 5 minutes. If trailer connected the tail lights will also glow indicating failure of CAN signal.



or



Ignition ON



23 OPTIONAL



**BRAKE
CONTROLLER
PREPARED**

Trailer Brake Preparation

1.

2.

3.

4.

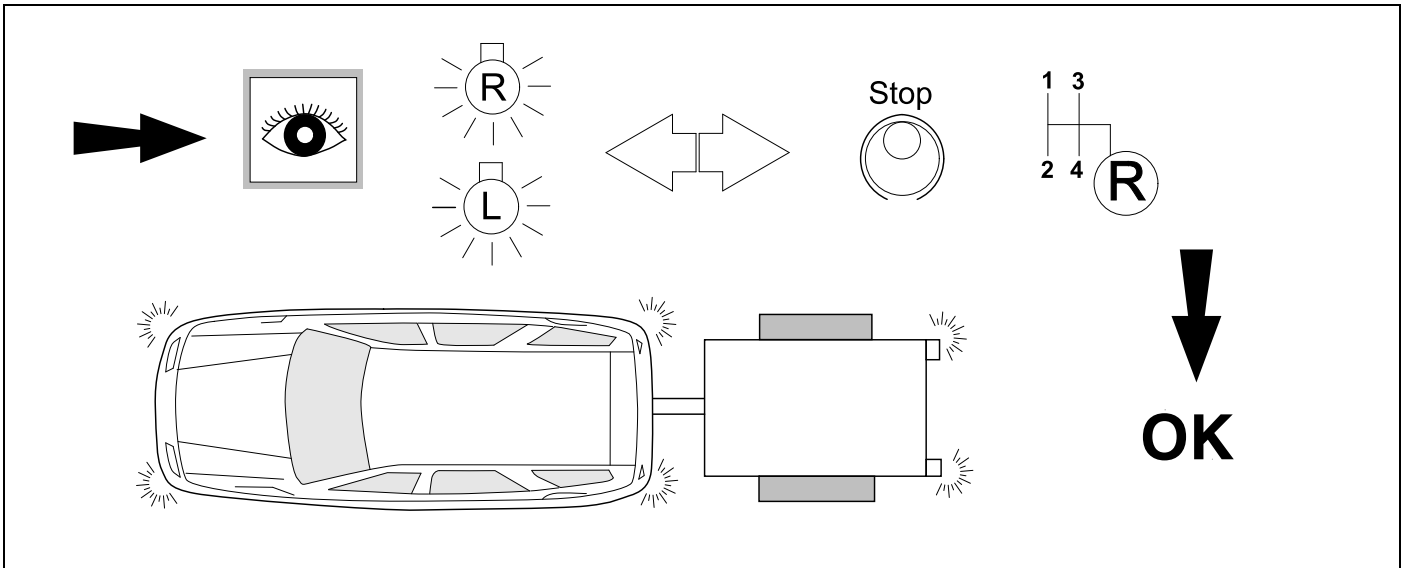
13

8

9

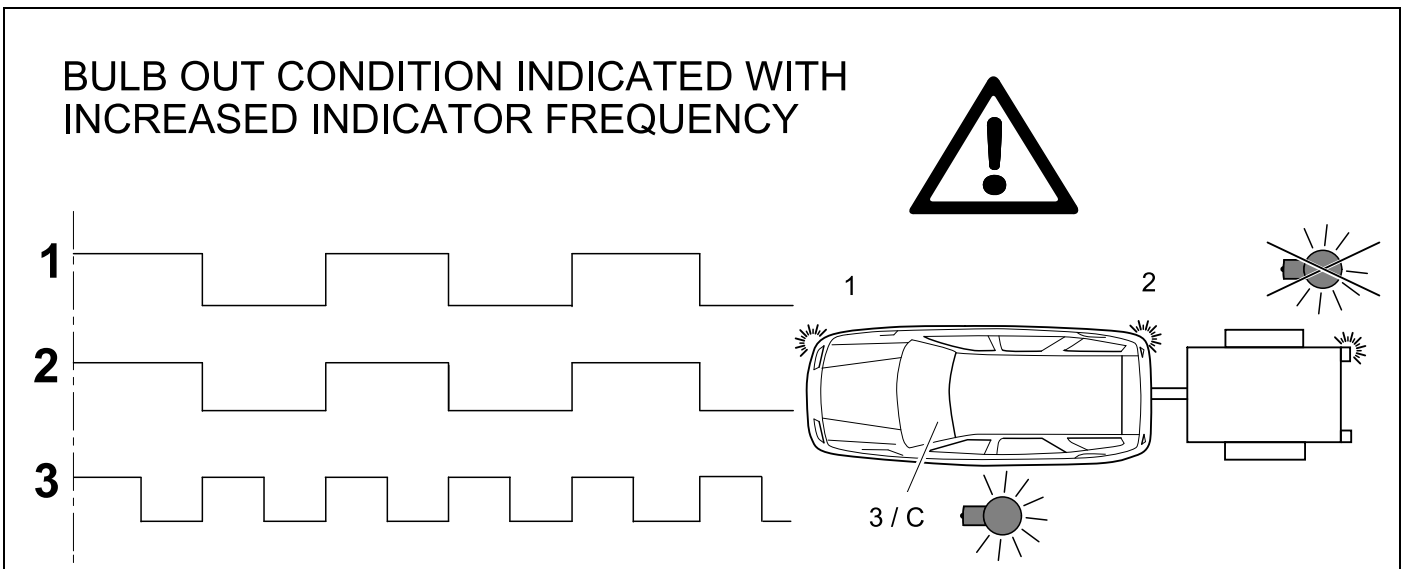
24

CHECK ALL LIGHTING FUNCTIONS



25

CHECK BULB OUT DETECTION

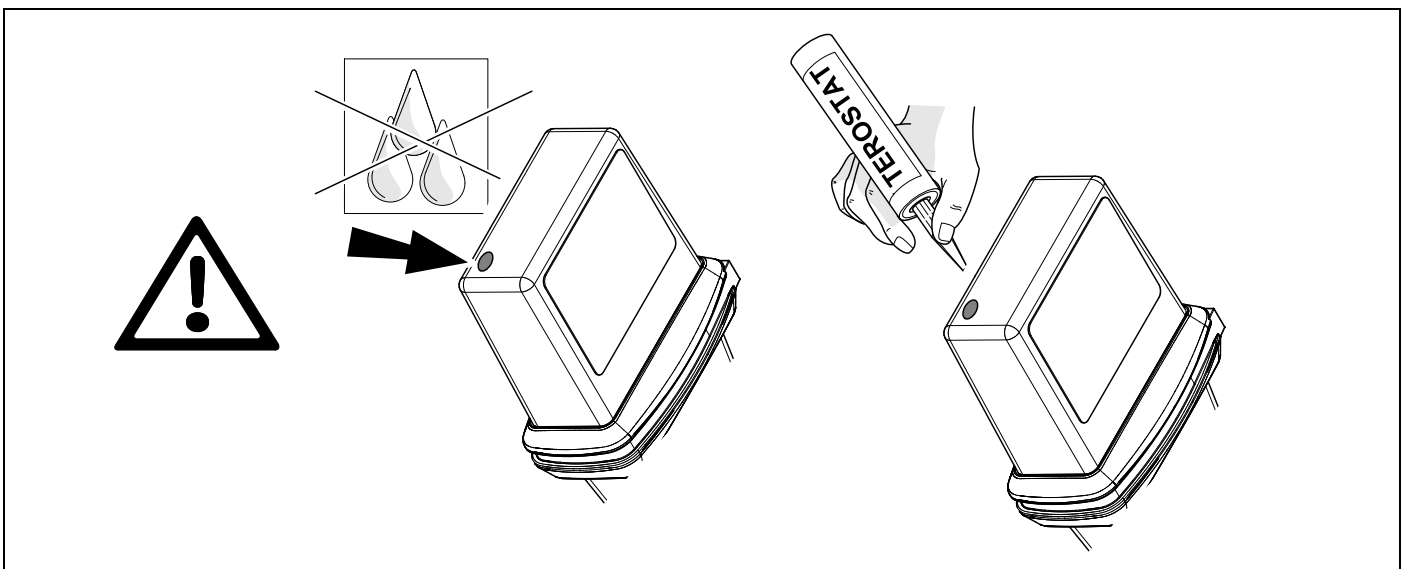


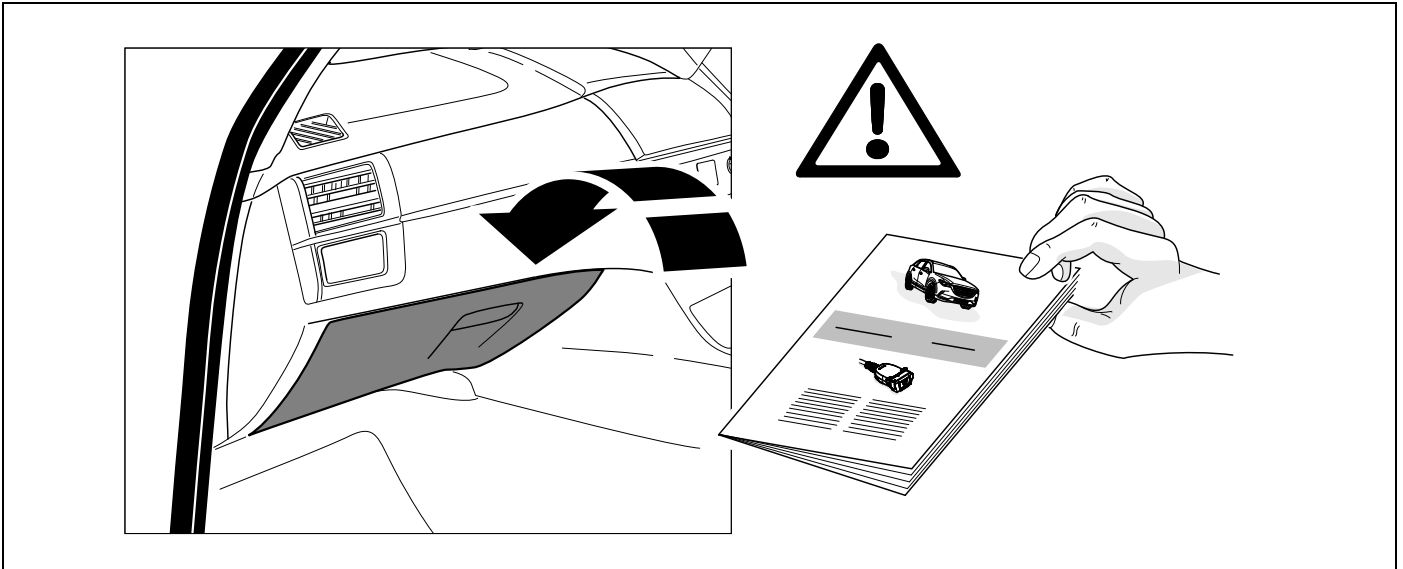
26

Waterproof diagnostic hole after install



10





Subject to change in terms of construction, equipment and colour, and may contain errors.
The information and illustrations are non-binding.

Scan this for our full E-Kit catalogue

