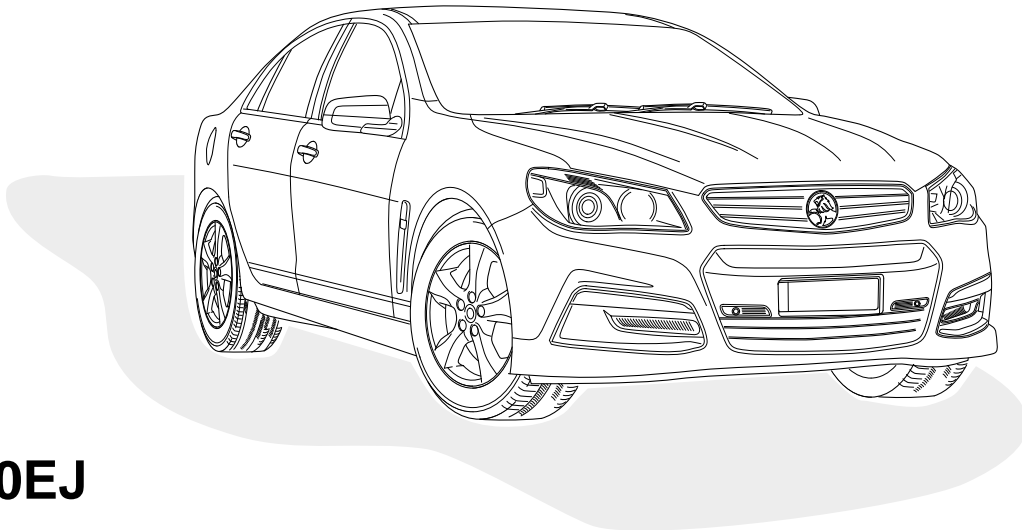




ERICH JAEGER

# Installation instructions



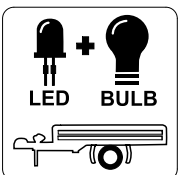
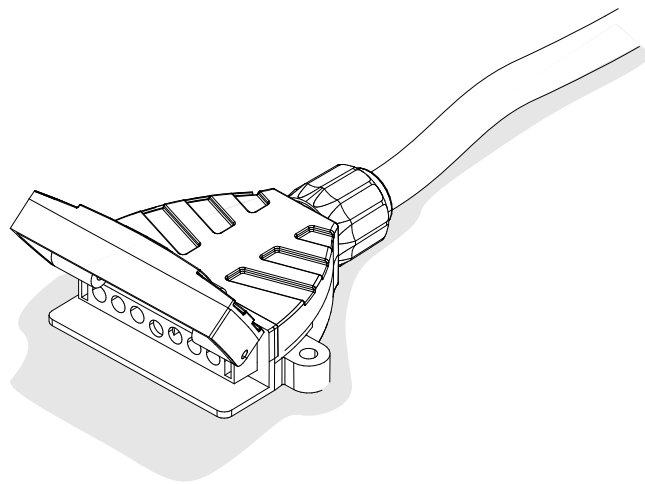
## 750040EJ

### HOLDEN VF Sedan

07/13 >>



SCAN FOR  
LATEST  
INSTRUCTIONS



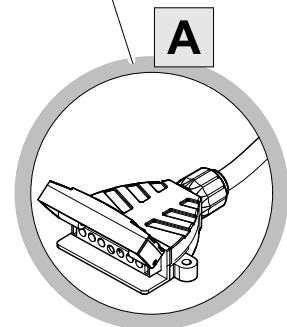
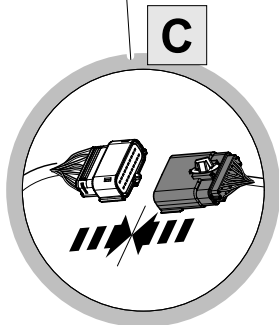
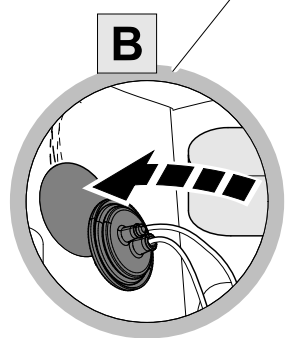
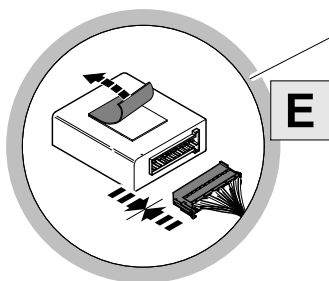
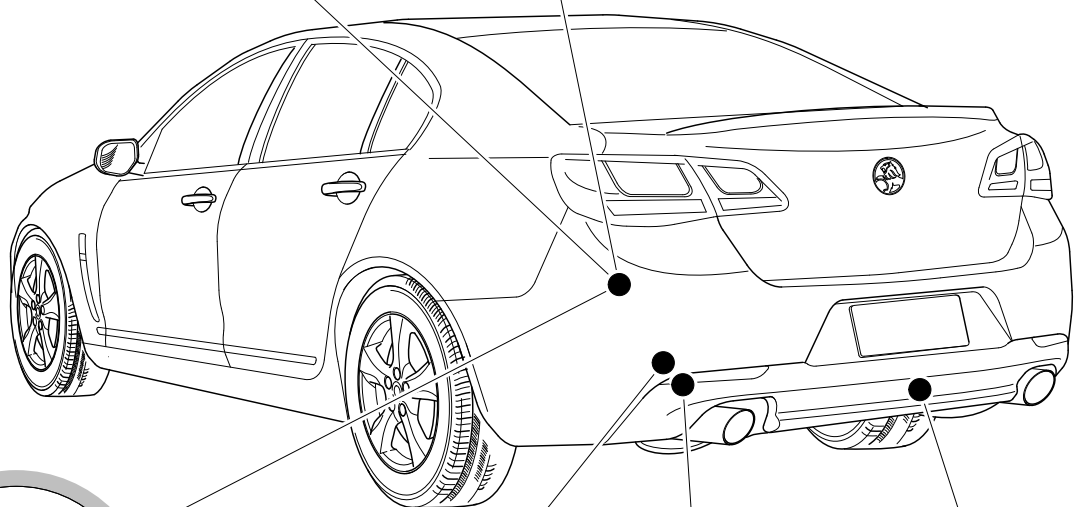
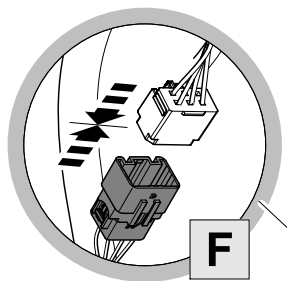
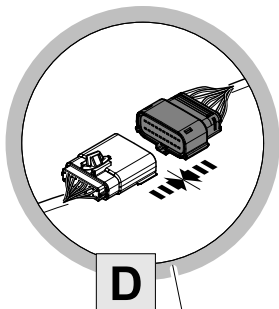
The following information must be reviewed before beginning the assembly:

The installation instructions are to be thoroughly read.

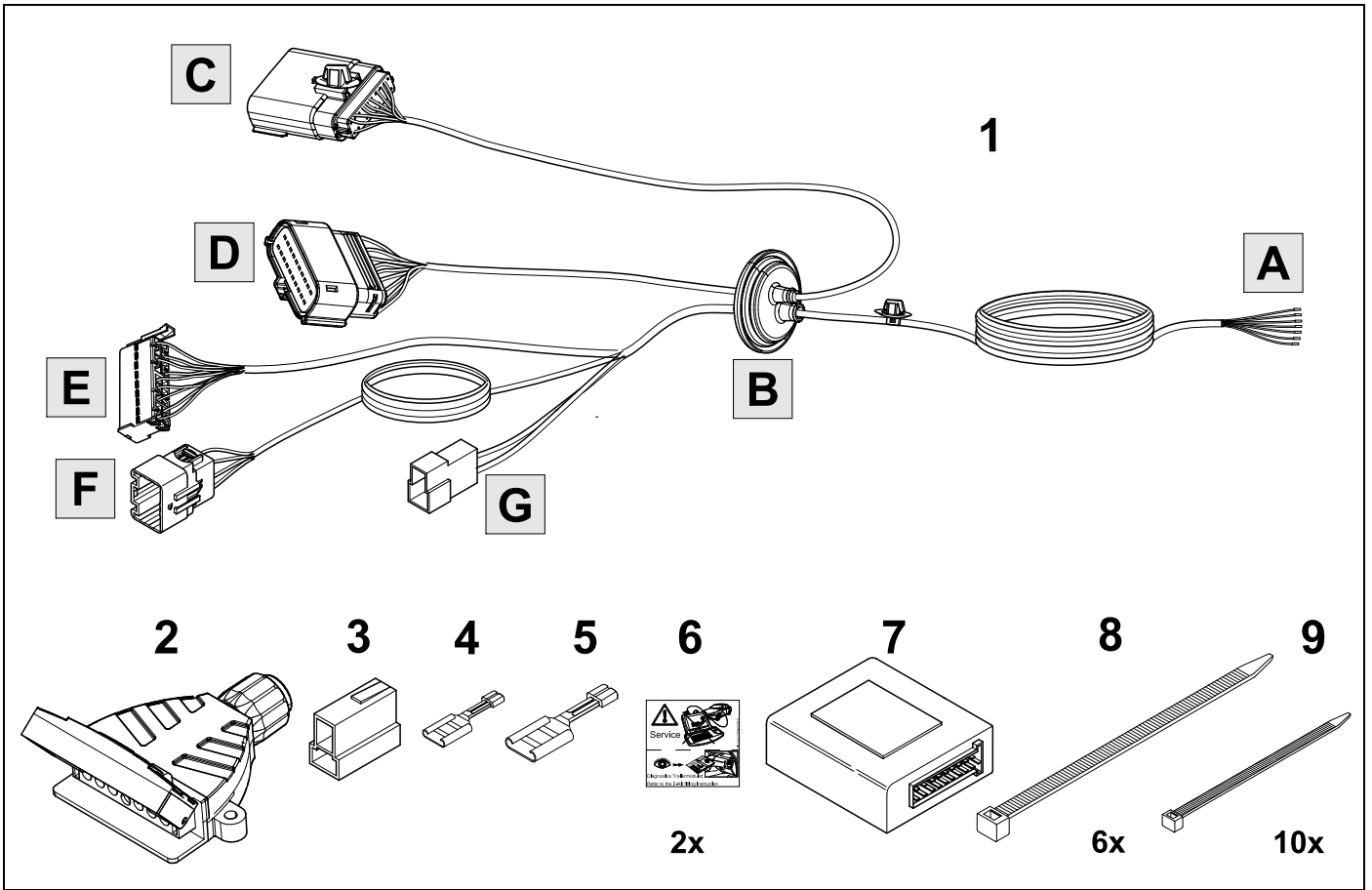
The installation should be carried out by qualified personnel with the relevant technical knowledge. The vehicle manufacturers' current technical notices and information on retrofitting must be followed. The removal and replacement instructions found in the current repair manuals must be followed.

It must be ensured that the vehicle is technically suitable for the installation of a trailer hitch.

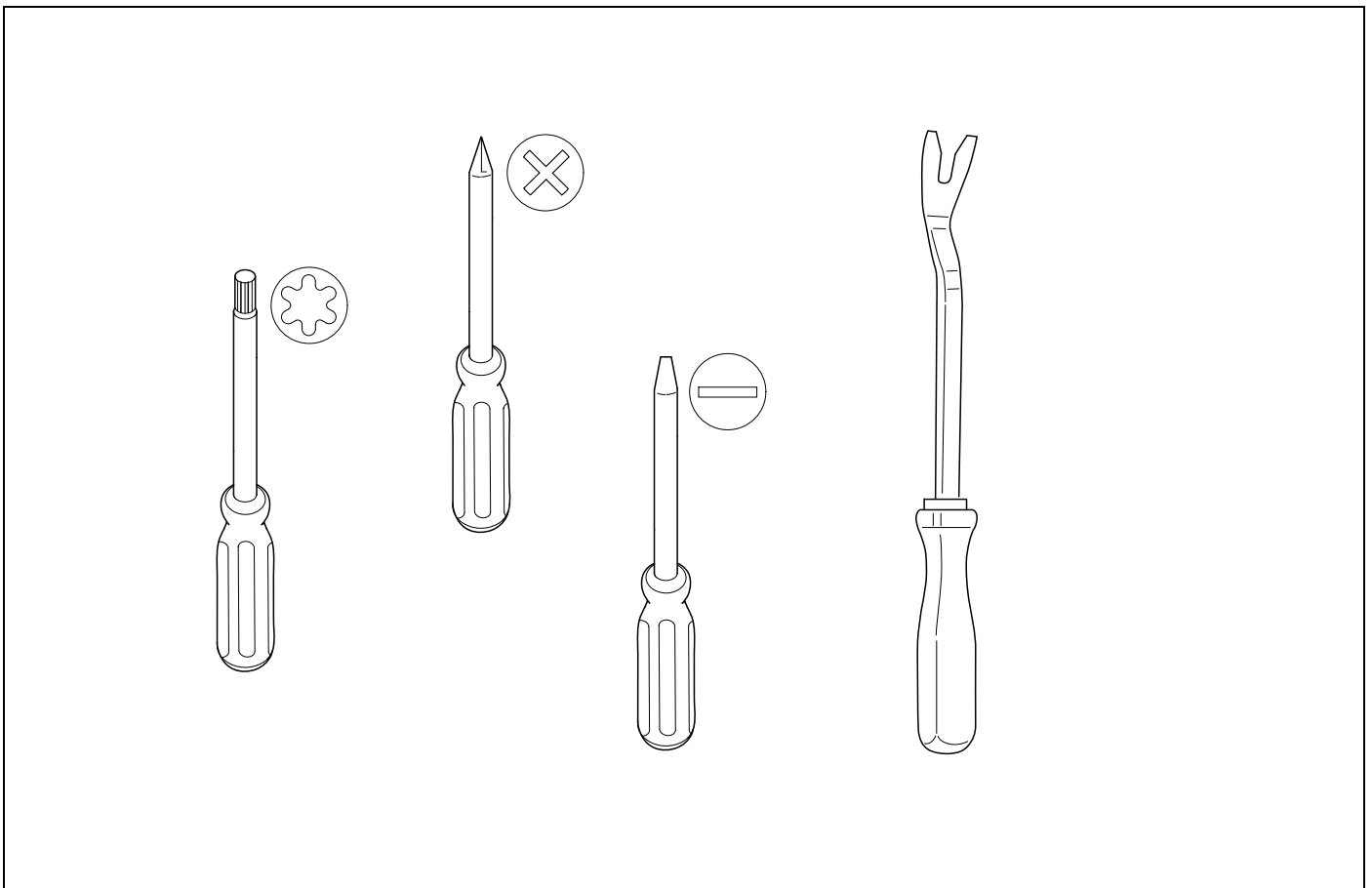
**trailer  
breakout connector**



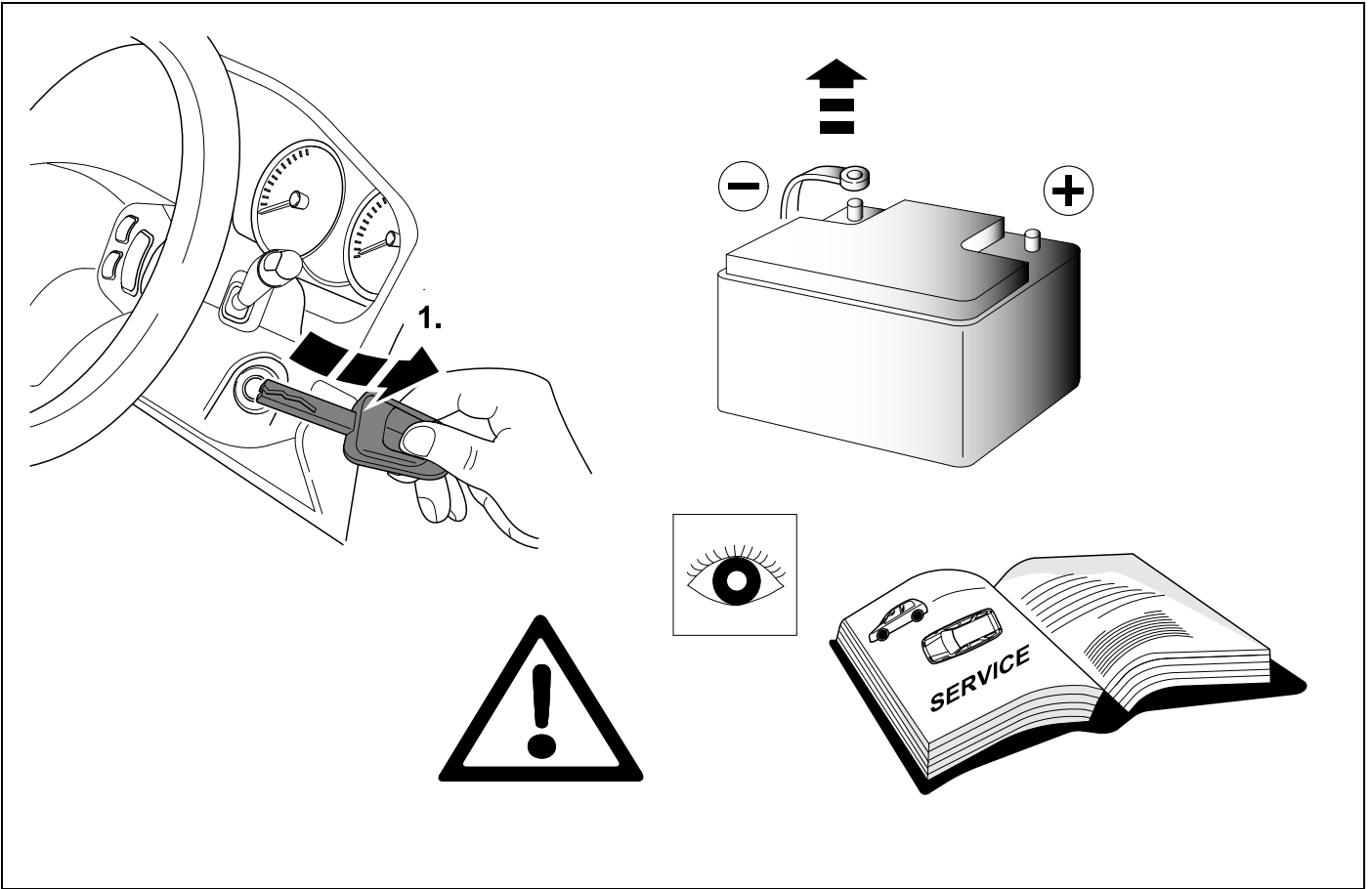
# KIT



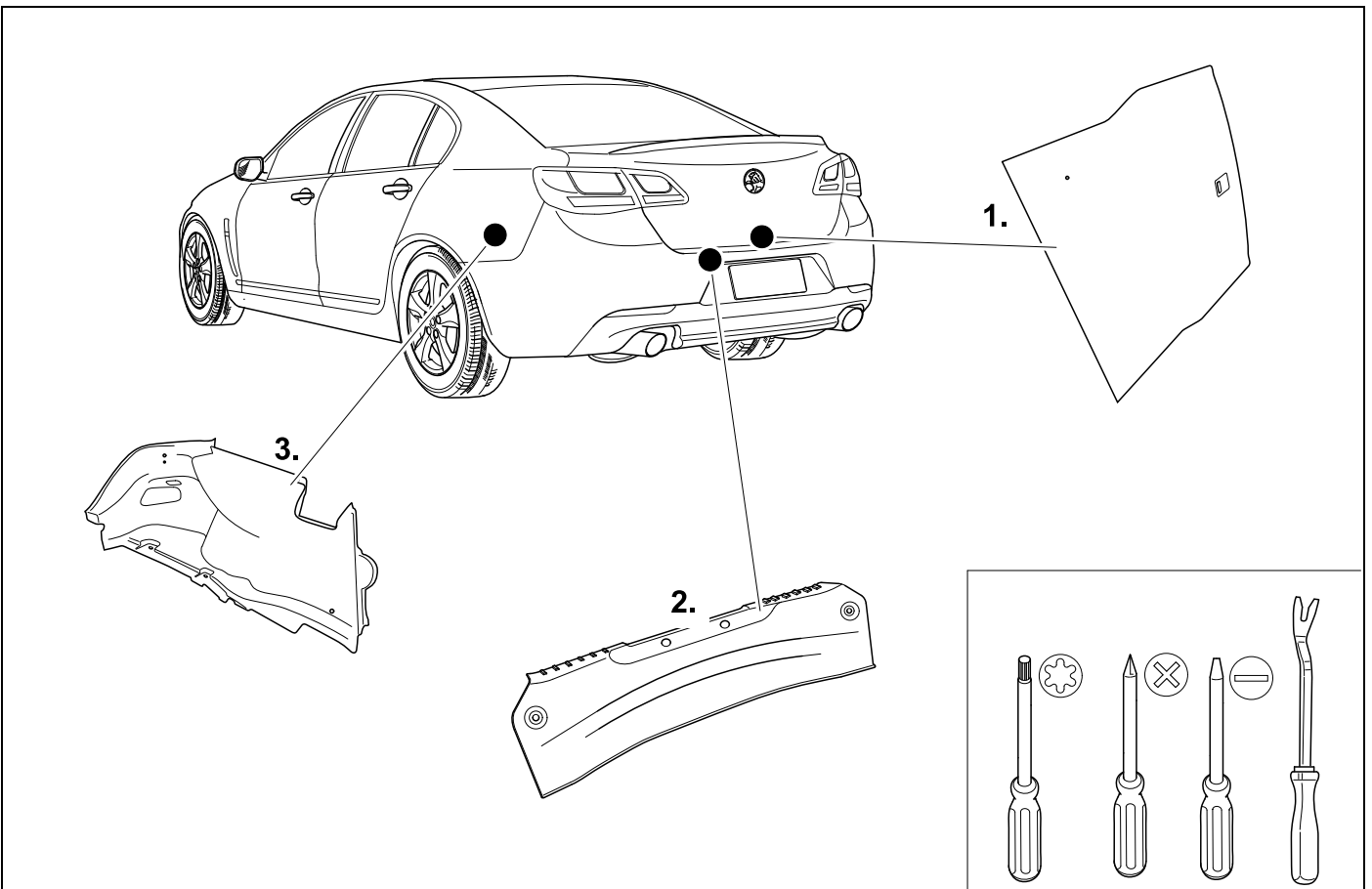
# TOOLS



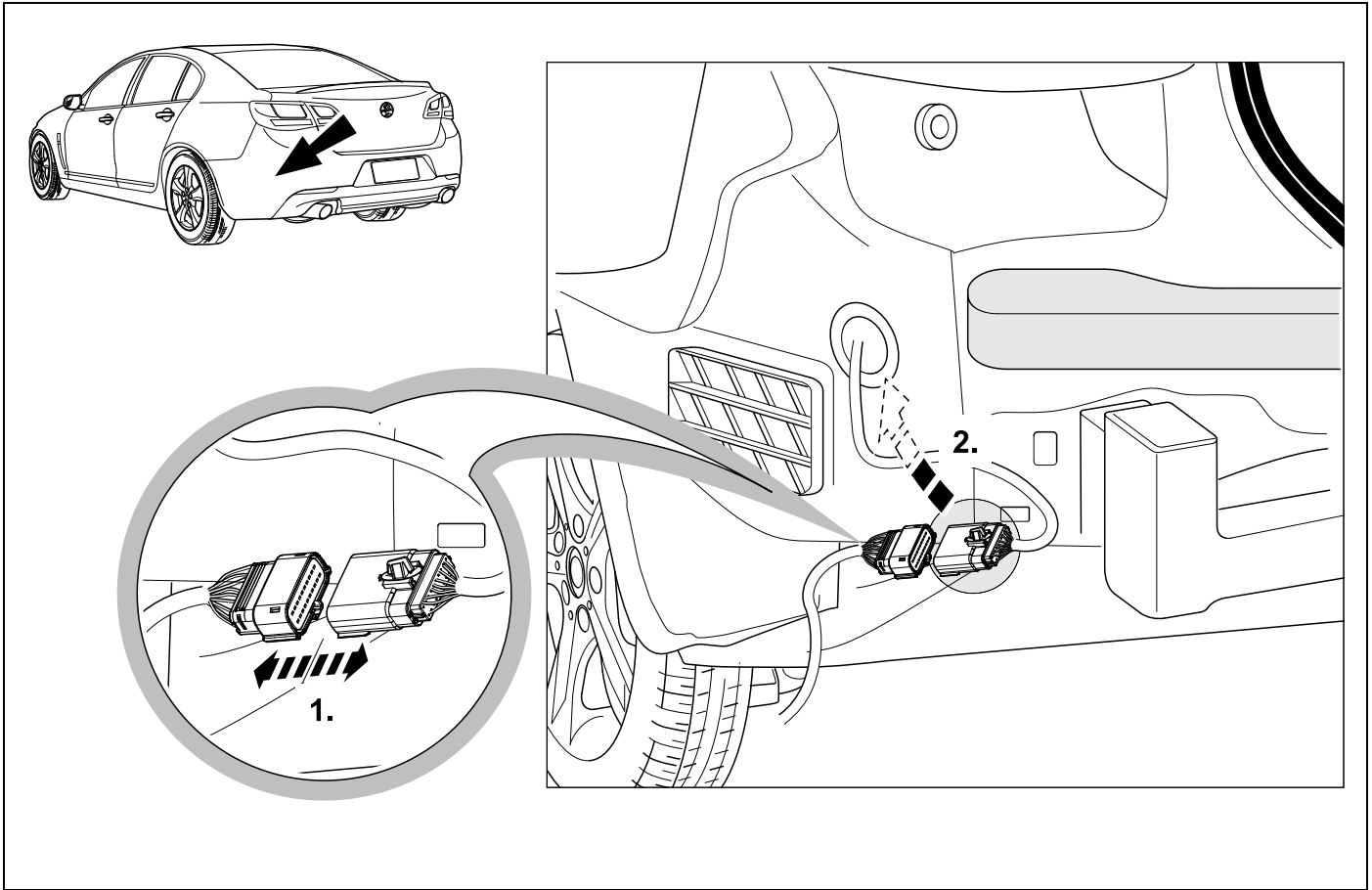
1



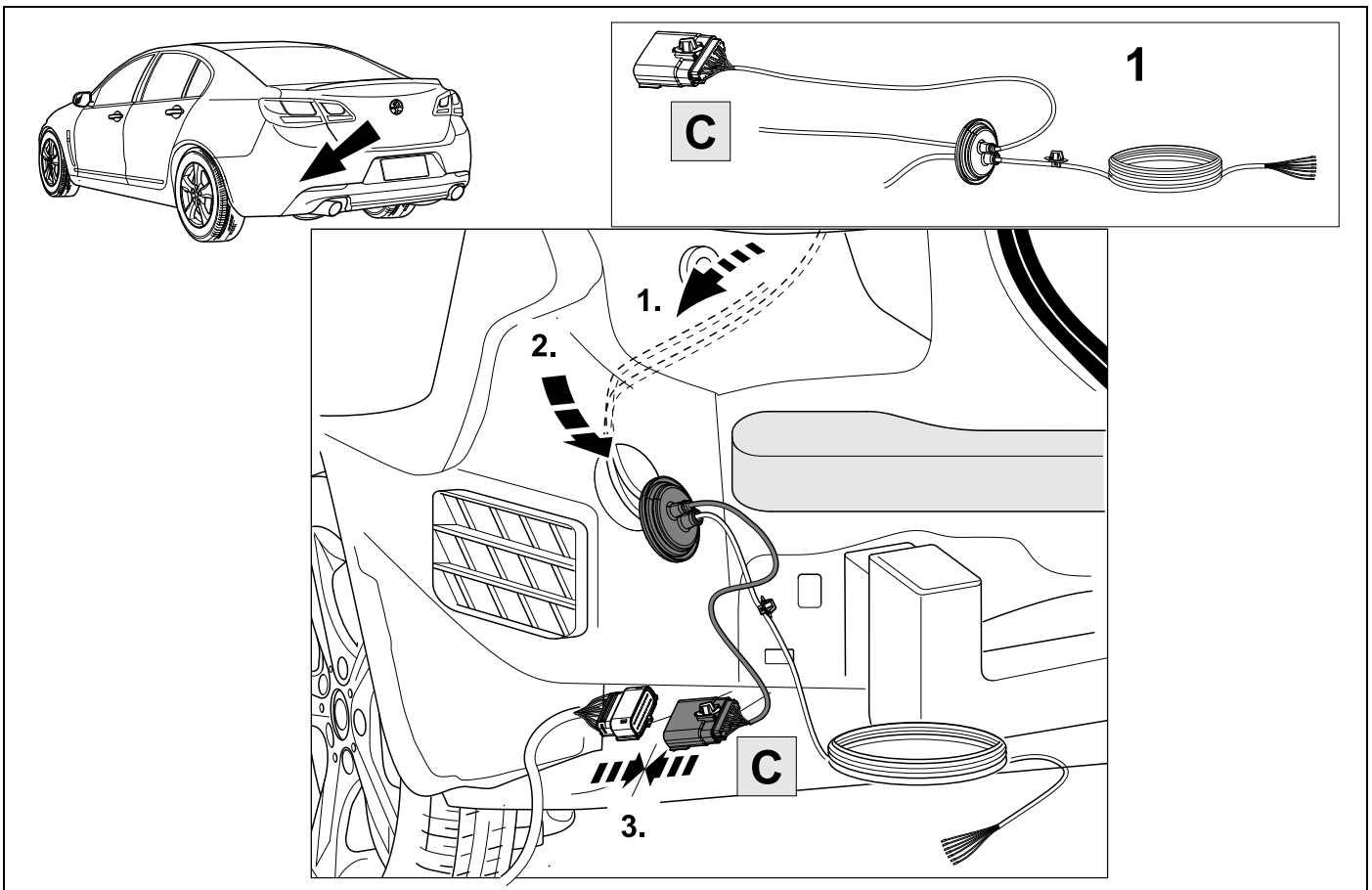
2



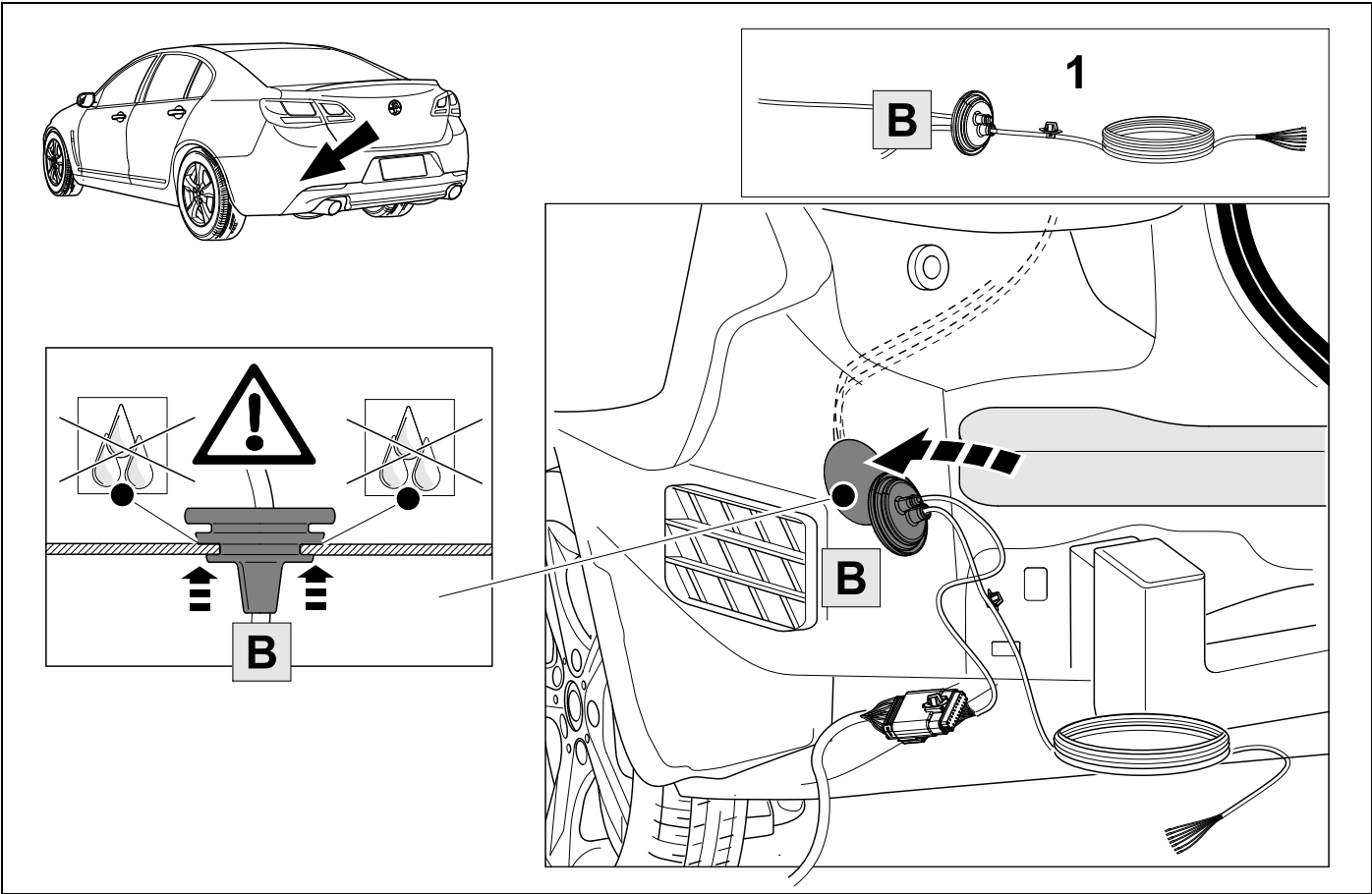
3



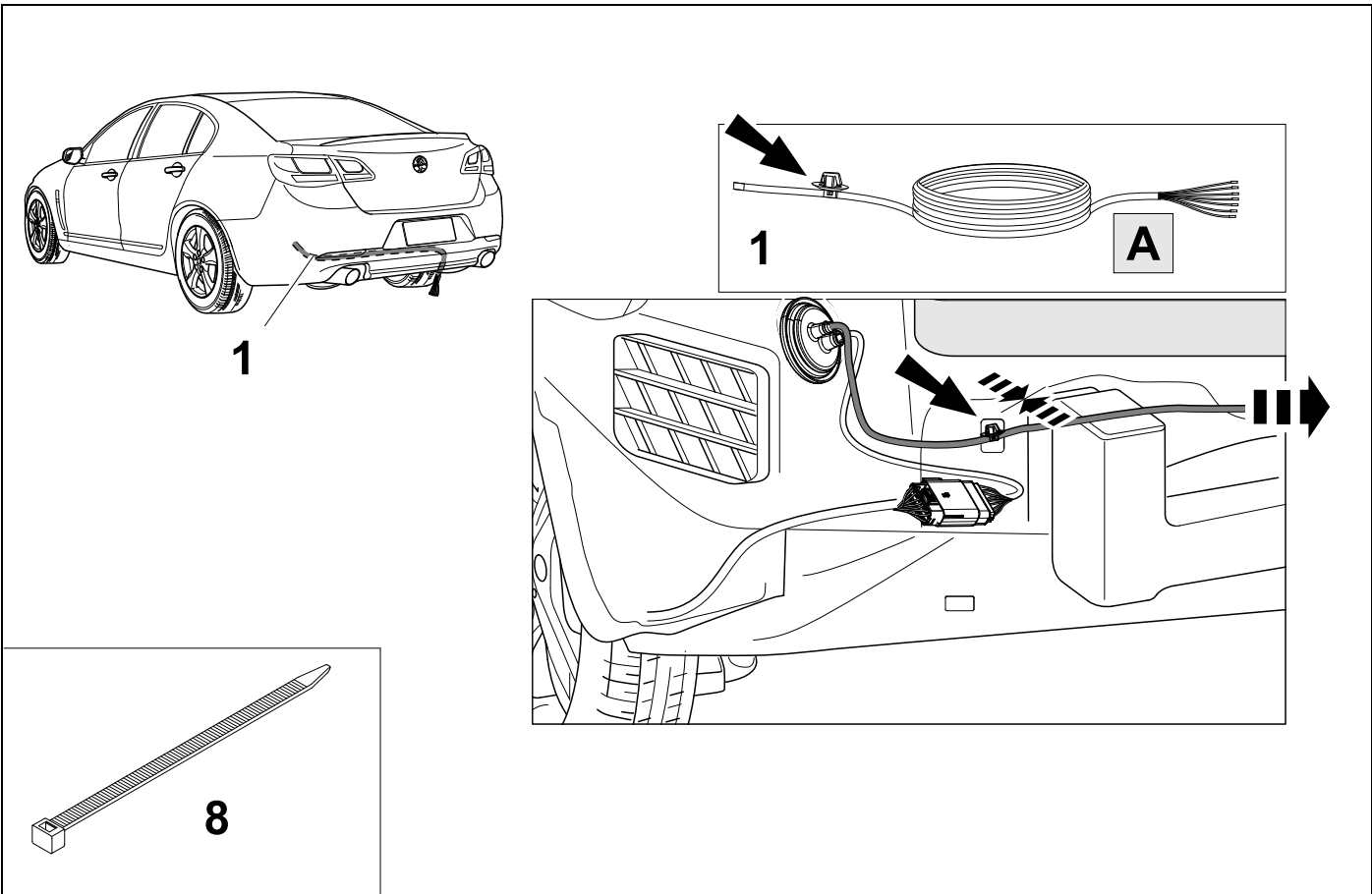
4

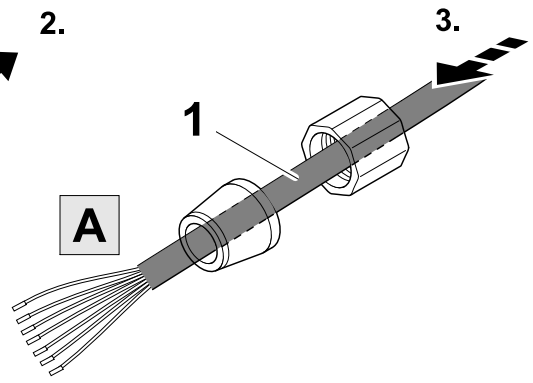
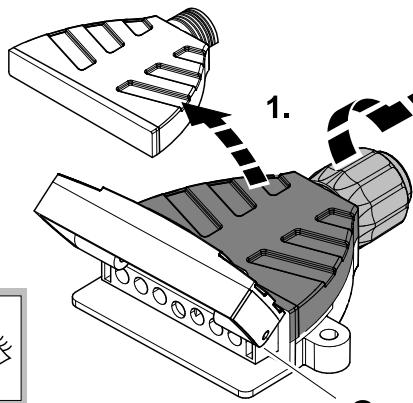
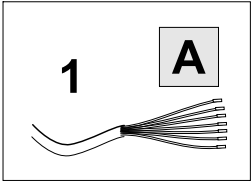


5

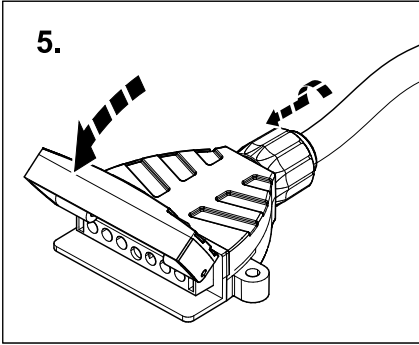
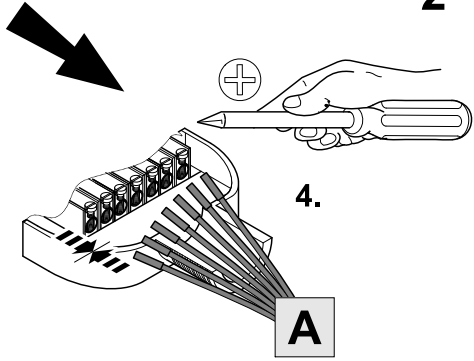
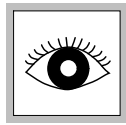


6

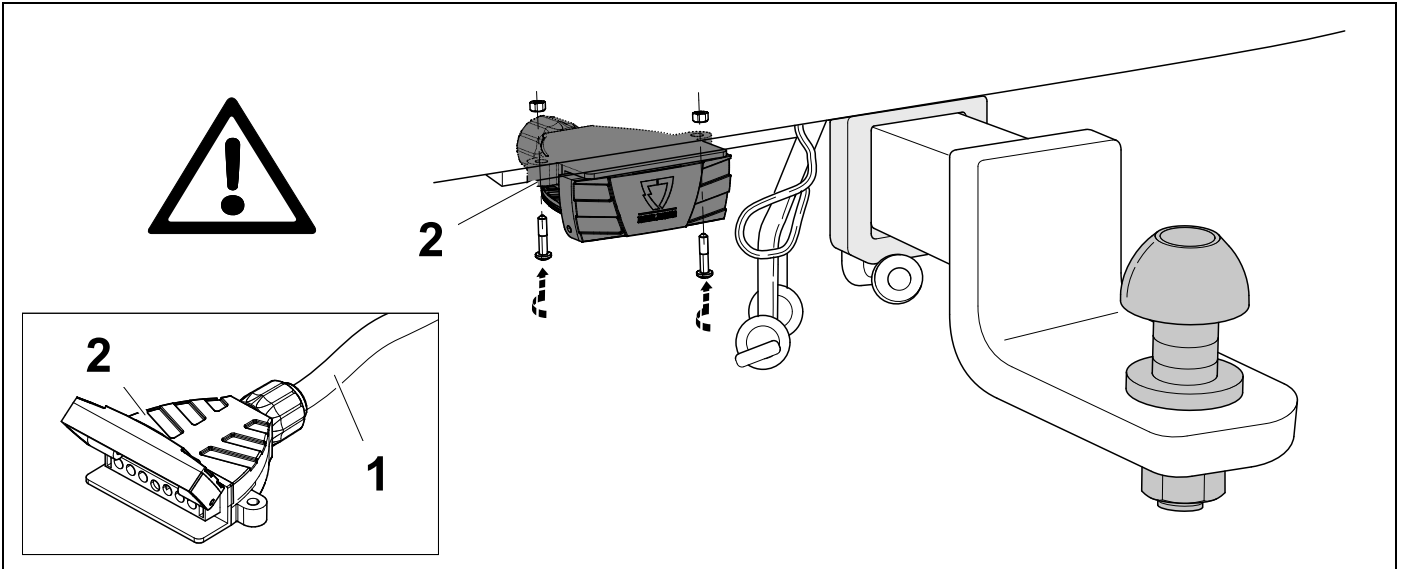




gn	4	
bn	7	
bk	2	
wh	3	
bu	5	
rd	6	
ye	1	



8



9



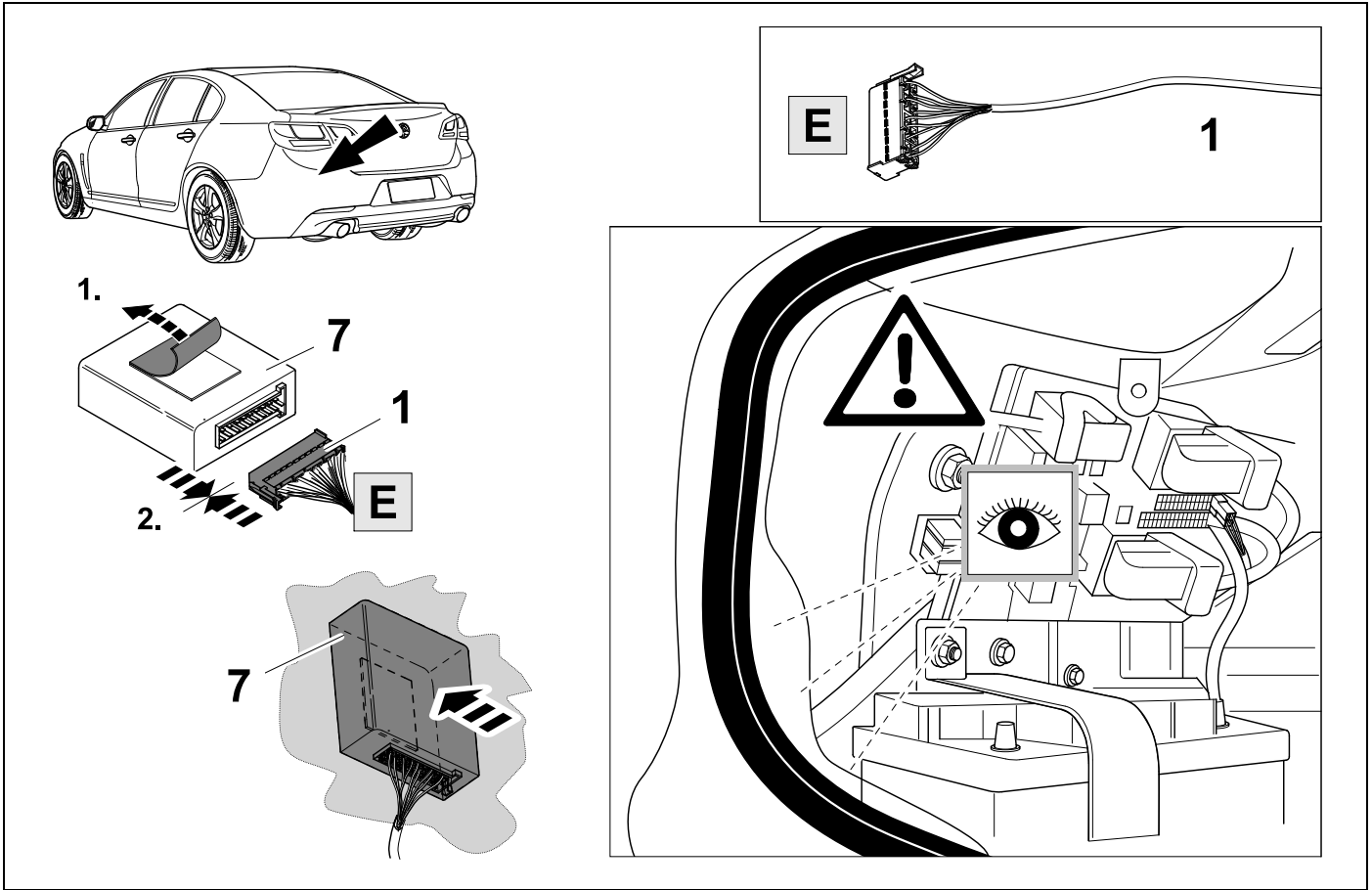
10

1	ye	
2	bk	
3	wh	
4	gn	
5	bu	
6	rd	
7	bn	

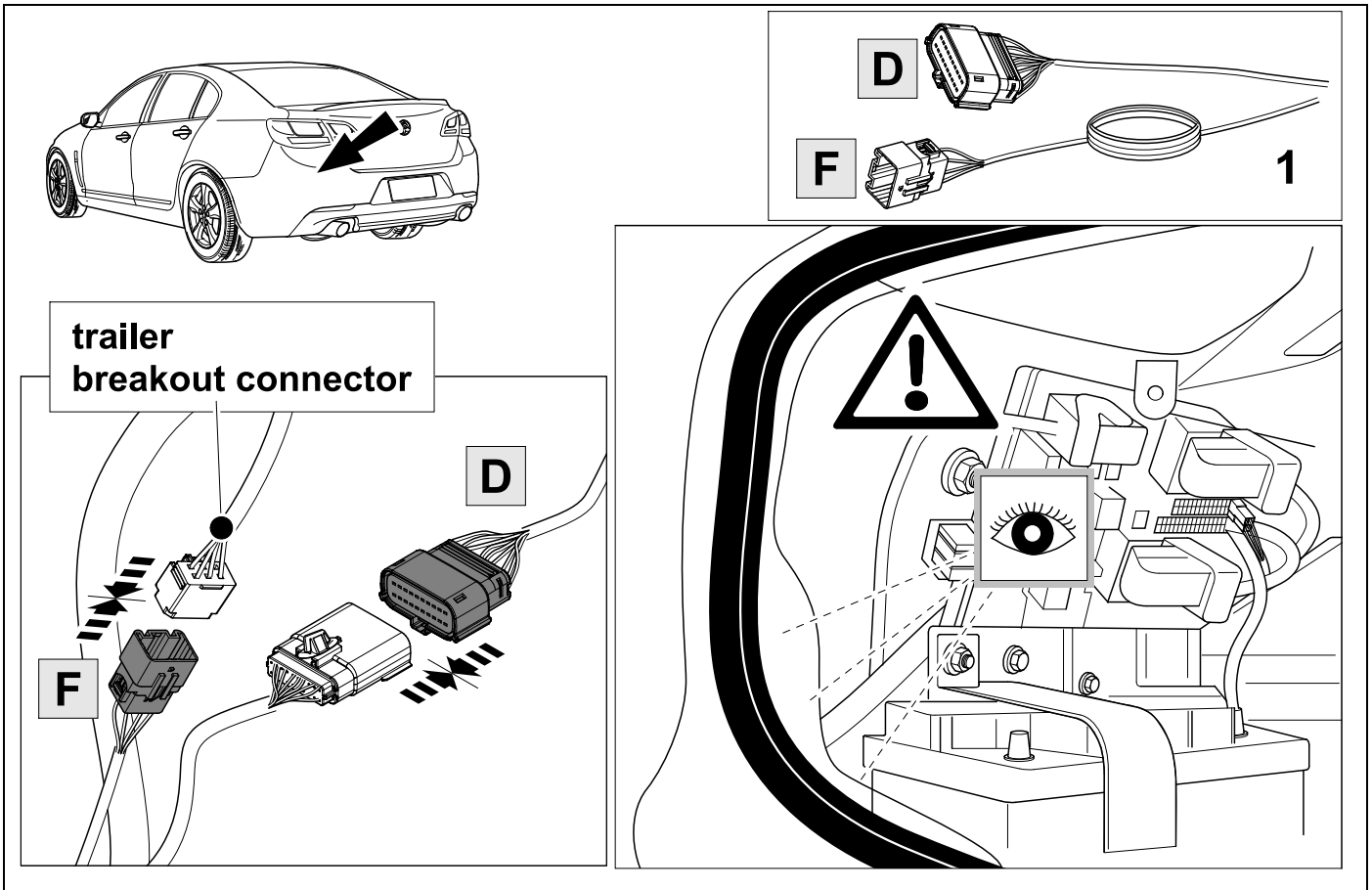
10	bk	wh	gy	gn	rd	bu	ye	bn	pu	or	no
	black	white	grey	green	red	blue	yellow	brown	purple	orange	not occupied



11

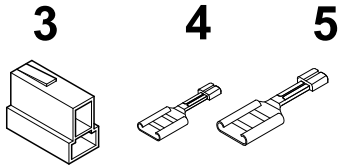
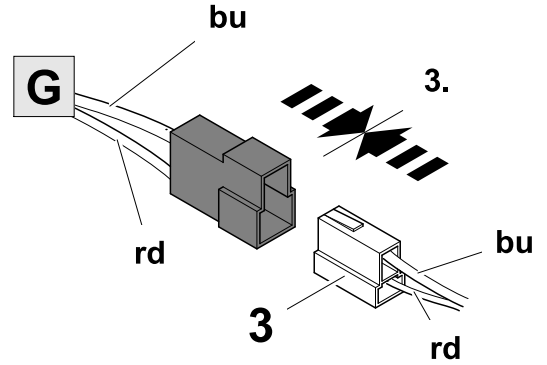
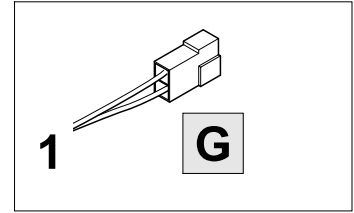
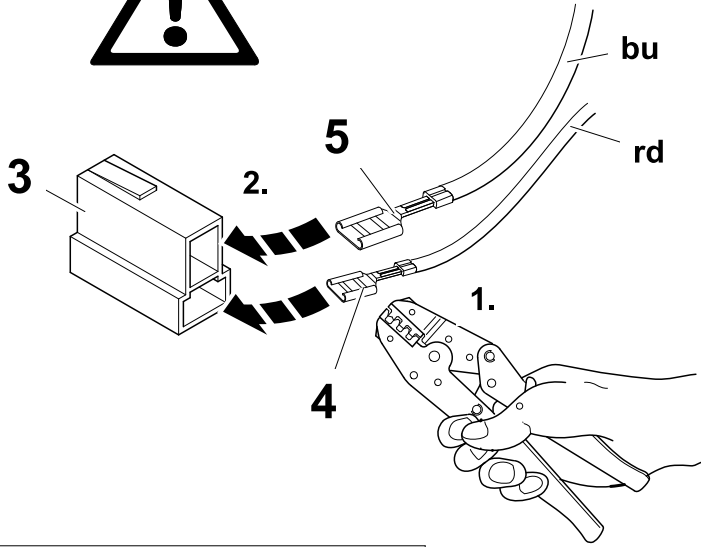


12



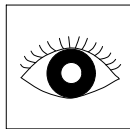
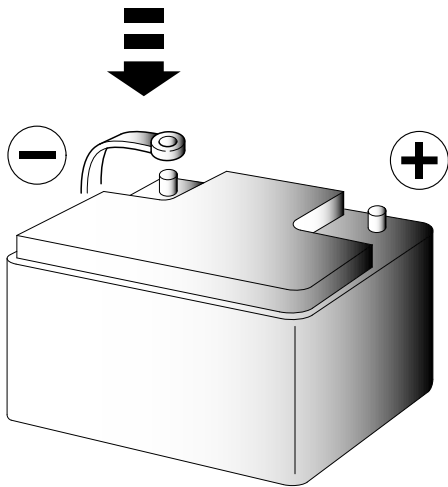


### Trailer Brake Preparation



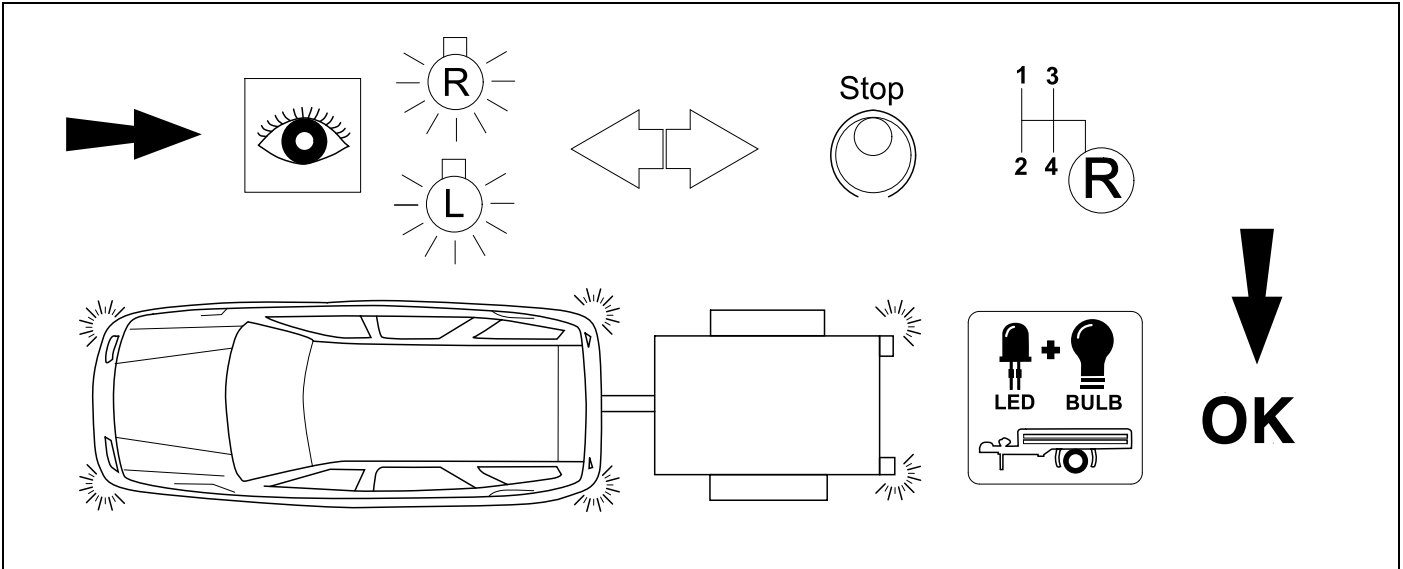
**APPROVED, TESTED AND CERTIFIED TO BE USED WITH THE SPECTRUM BRAKE CONTROLLER.**

**USE OUR BRAKE CONTROLLER CONNECTION HARNESS 529008EJ**



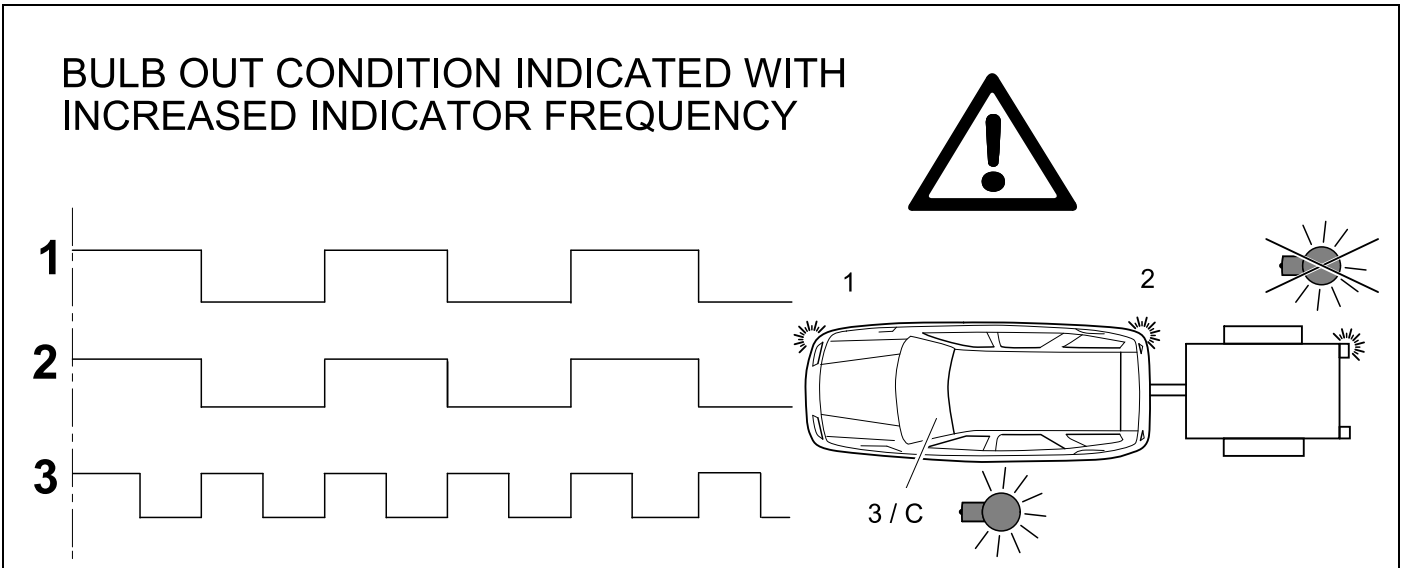
15

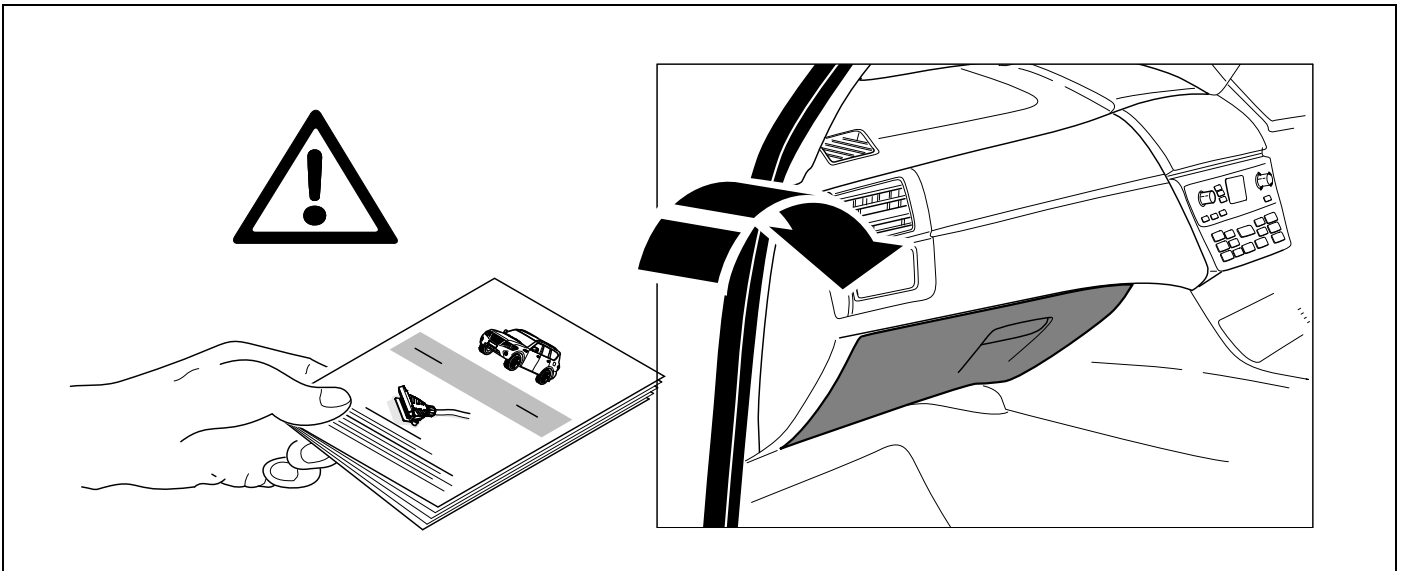
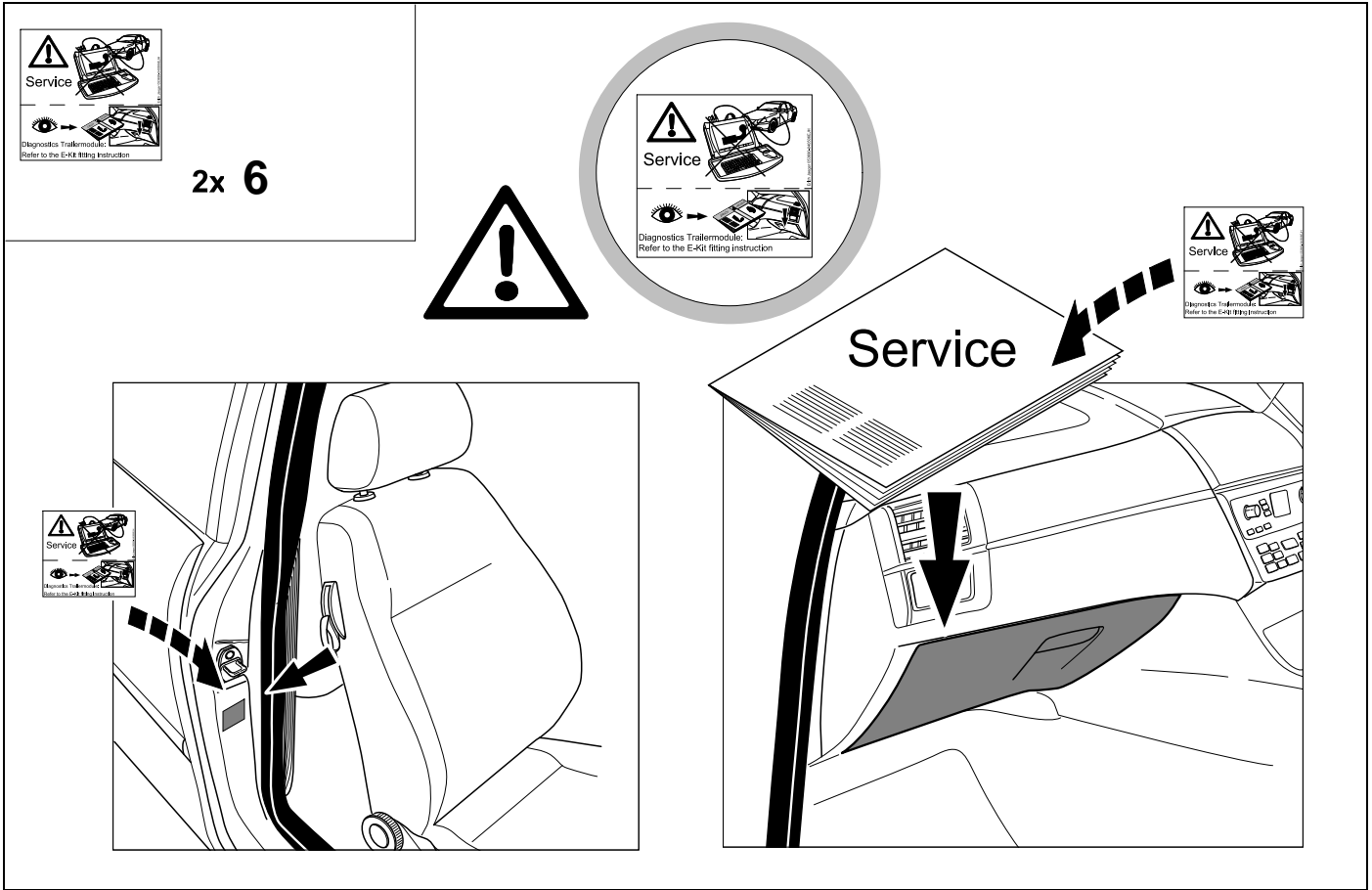
# CHECK ALL LIGHTING FUNCTIONS



16

# CHECK BULB OUT DETECTION

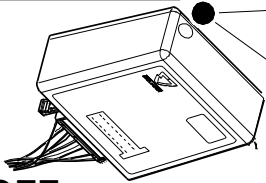
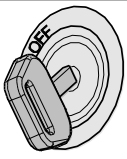




**GB** Subject to change in terms of construction, equipment and colour, and may contain errors.  
The information and illustrations are non-binding.

# Status LED for self-diagnosis

## Operation Support



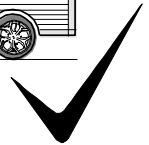
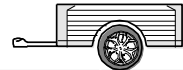
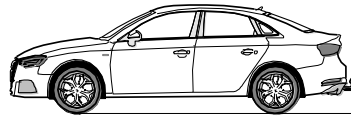
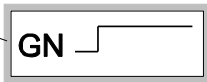
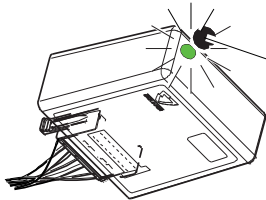
No CAN-Data =



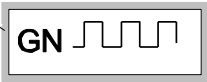
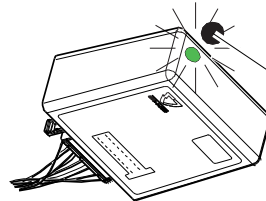
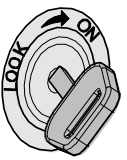
Standby / Sleepmode



Ignition OFF



Ignition ON



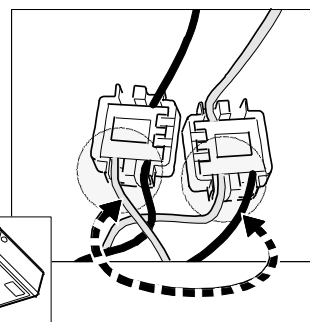
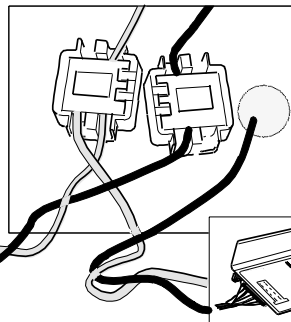
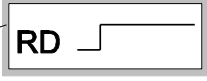
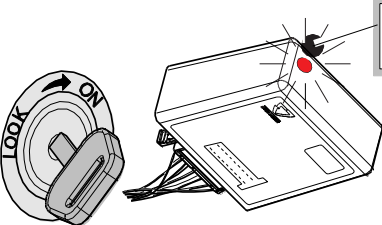
Ignition ON

## Failure Support

CAN-Data Wire

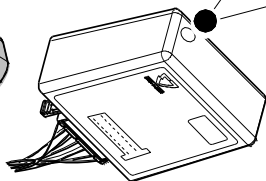
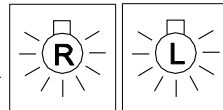


1x max. 5 min.

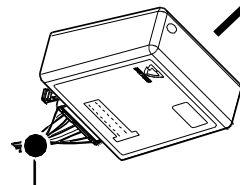
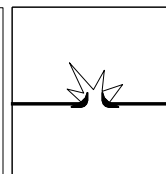
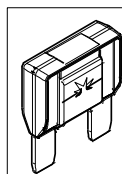
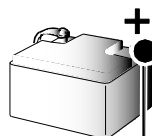
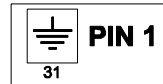


Ignition ON

Failure indicated by the module LED glowing red for a maximum of 5 minutes. If trailer connected the tail lights will also glow indicating failure of CAN signal.



or



Ignition ON