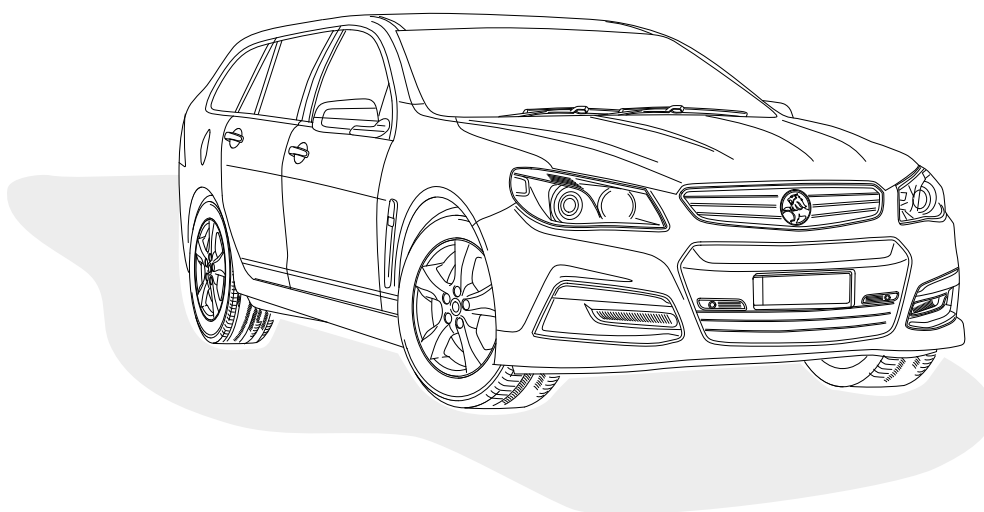
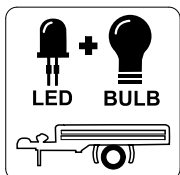




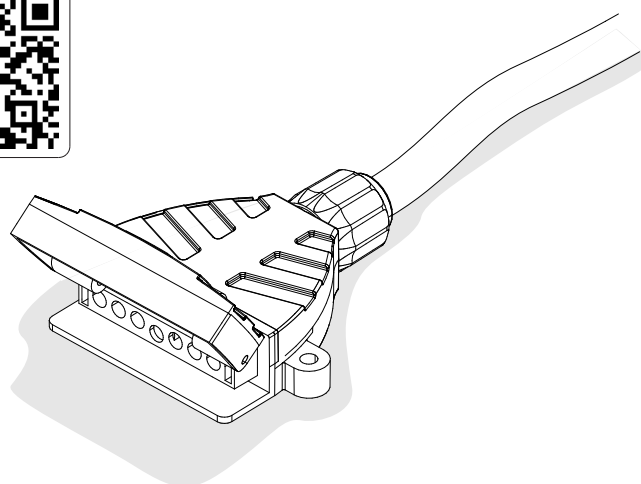
ERICH JAEGER



HOLDEN VF Wagon

07/13 >>

750041

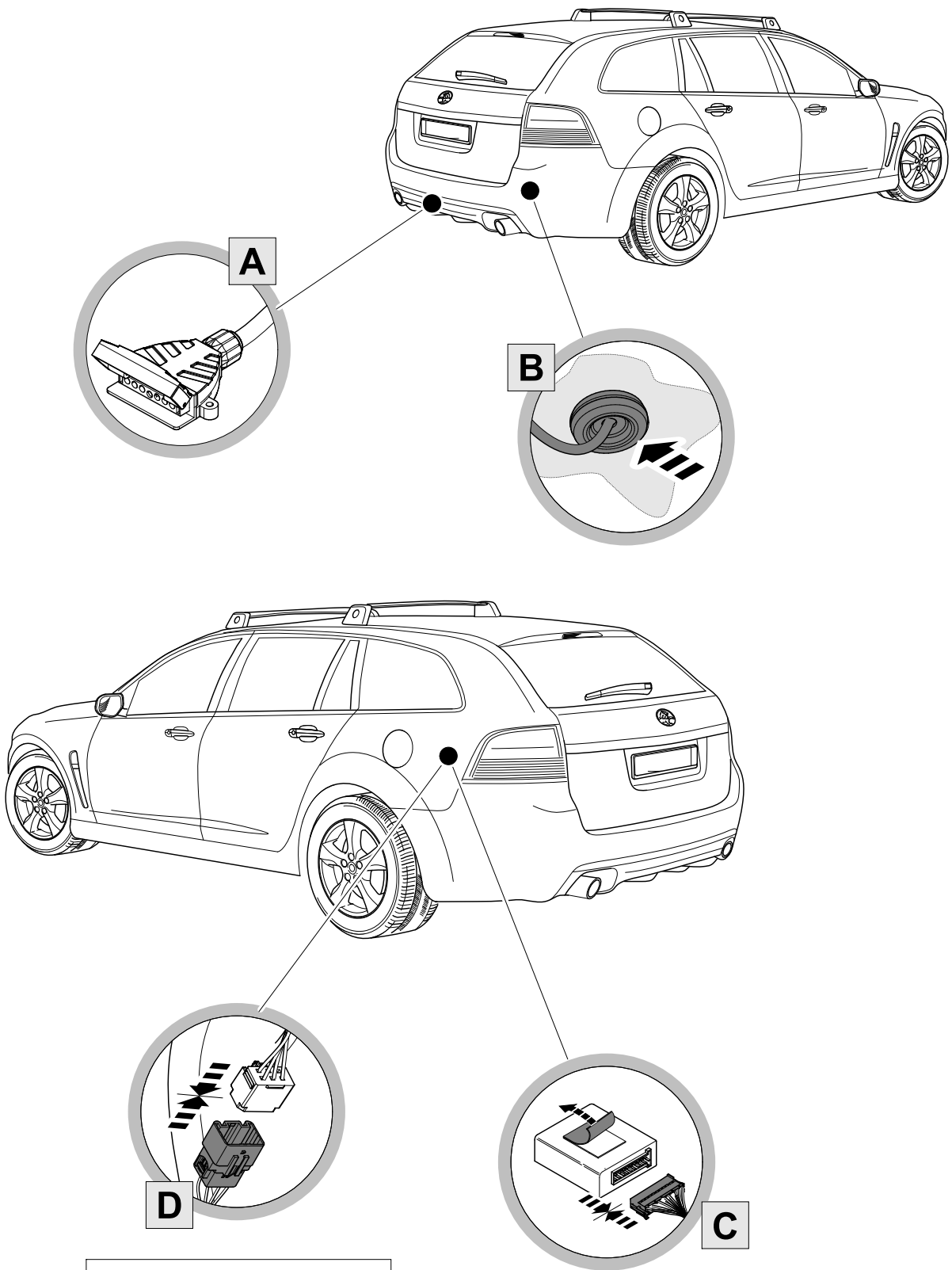


Installation instructions

Reference:

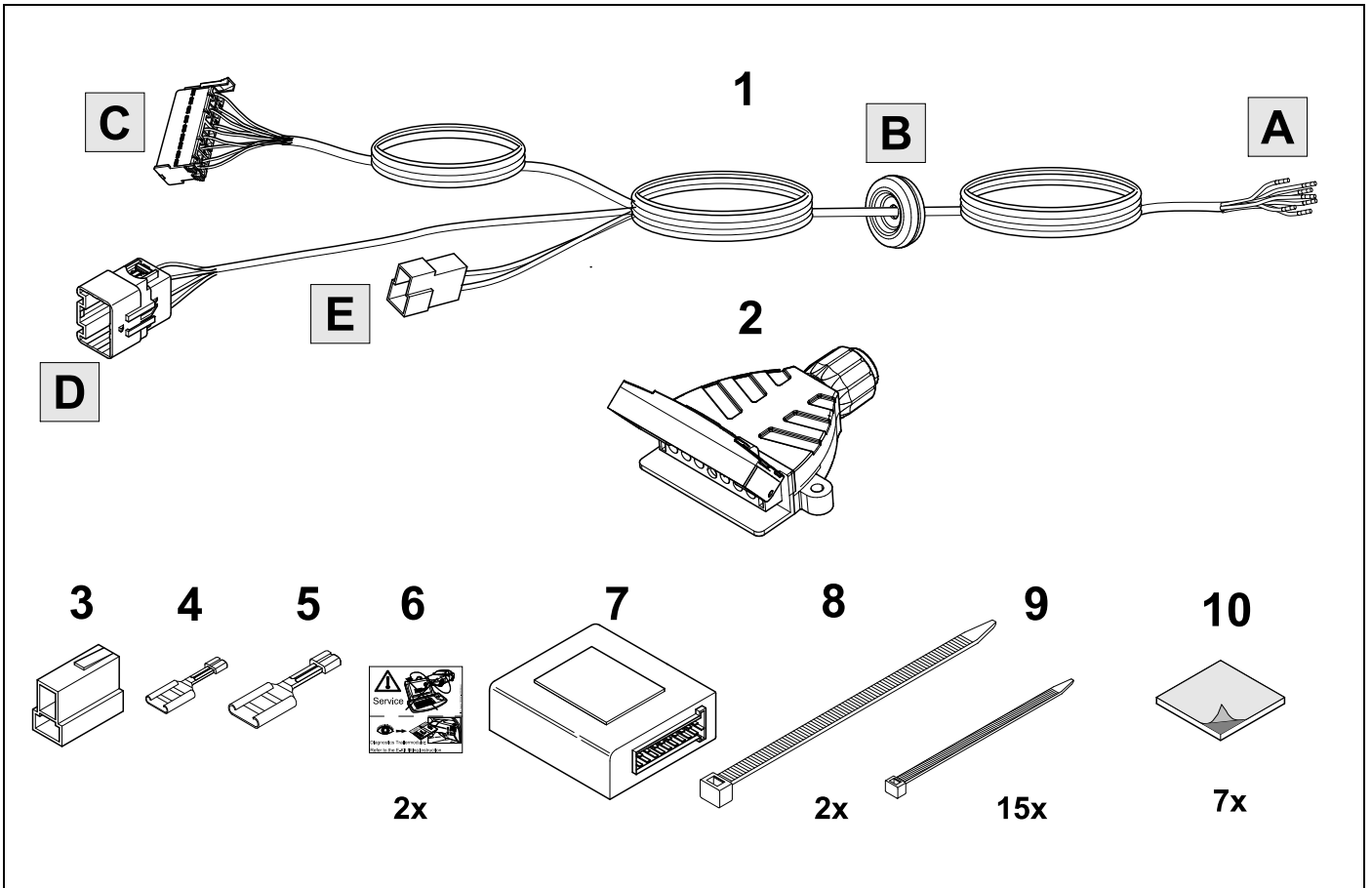
The following information must be reviewed before beginning the assembly:

The installation instructions are to be thoroughly read.
The installation should be carried out by qualified personnel with the relevant technical knowledge.
The vehicle manufacturers' current technical notices and information on retrofitting must be followed.
The removal and replacement instructions found in the current repair manuals must be followed.
It must be ensured that the vehicle is technically suitable for the installation of a trailer hitch.

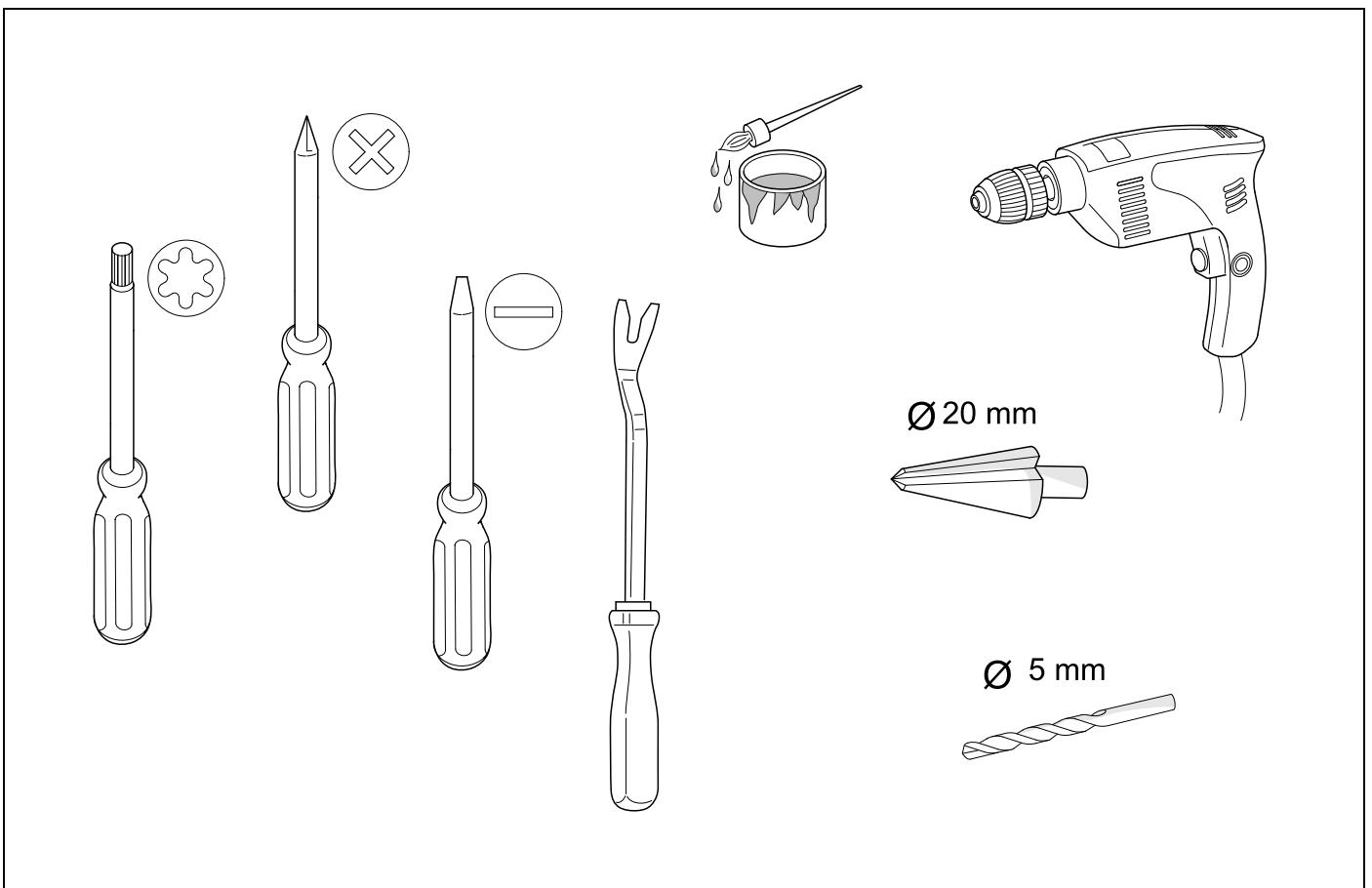


**trailer
breakout connector**

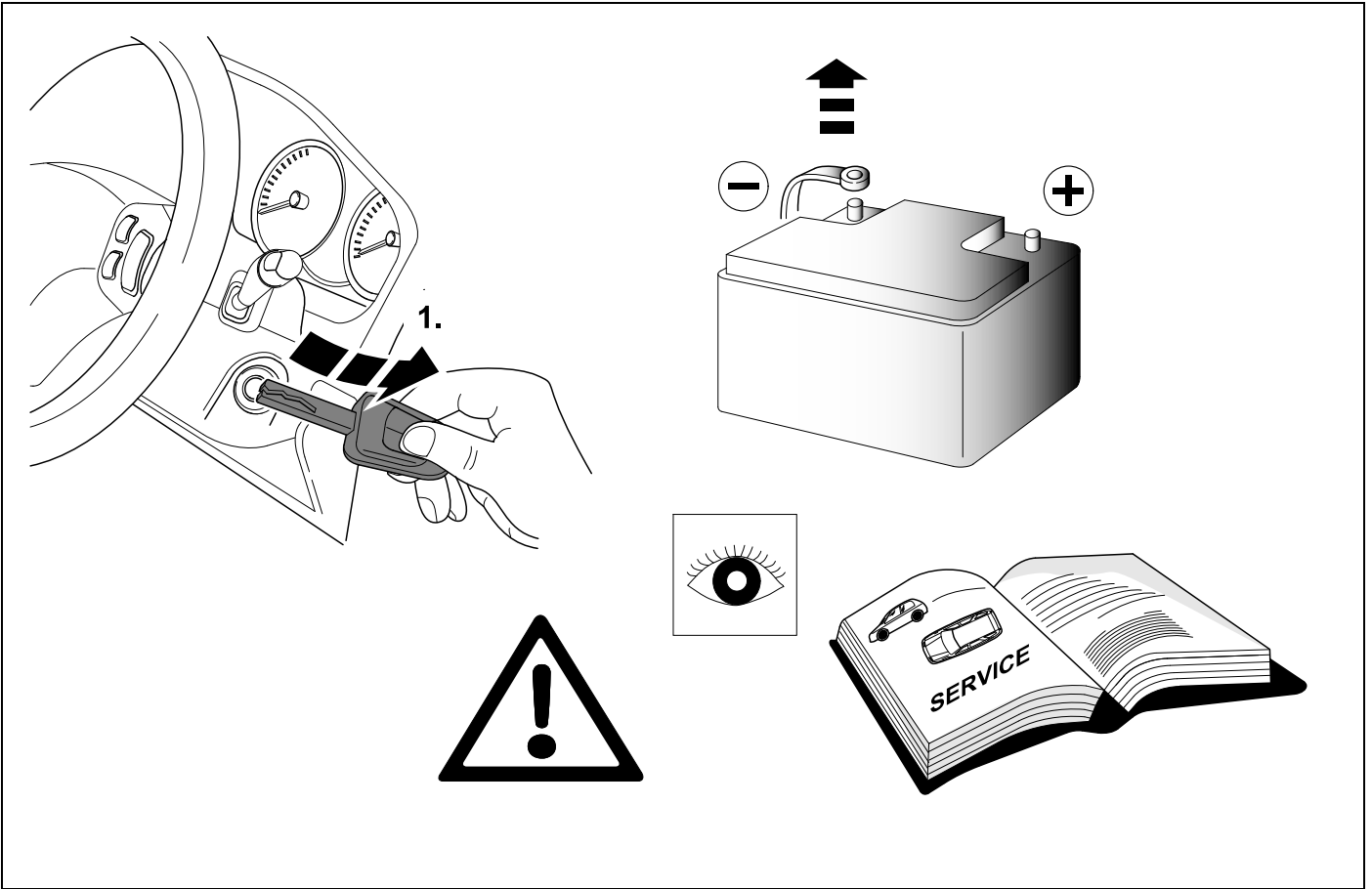
KIT



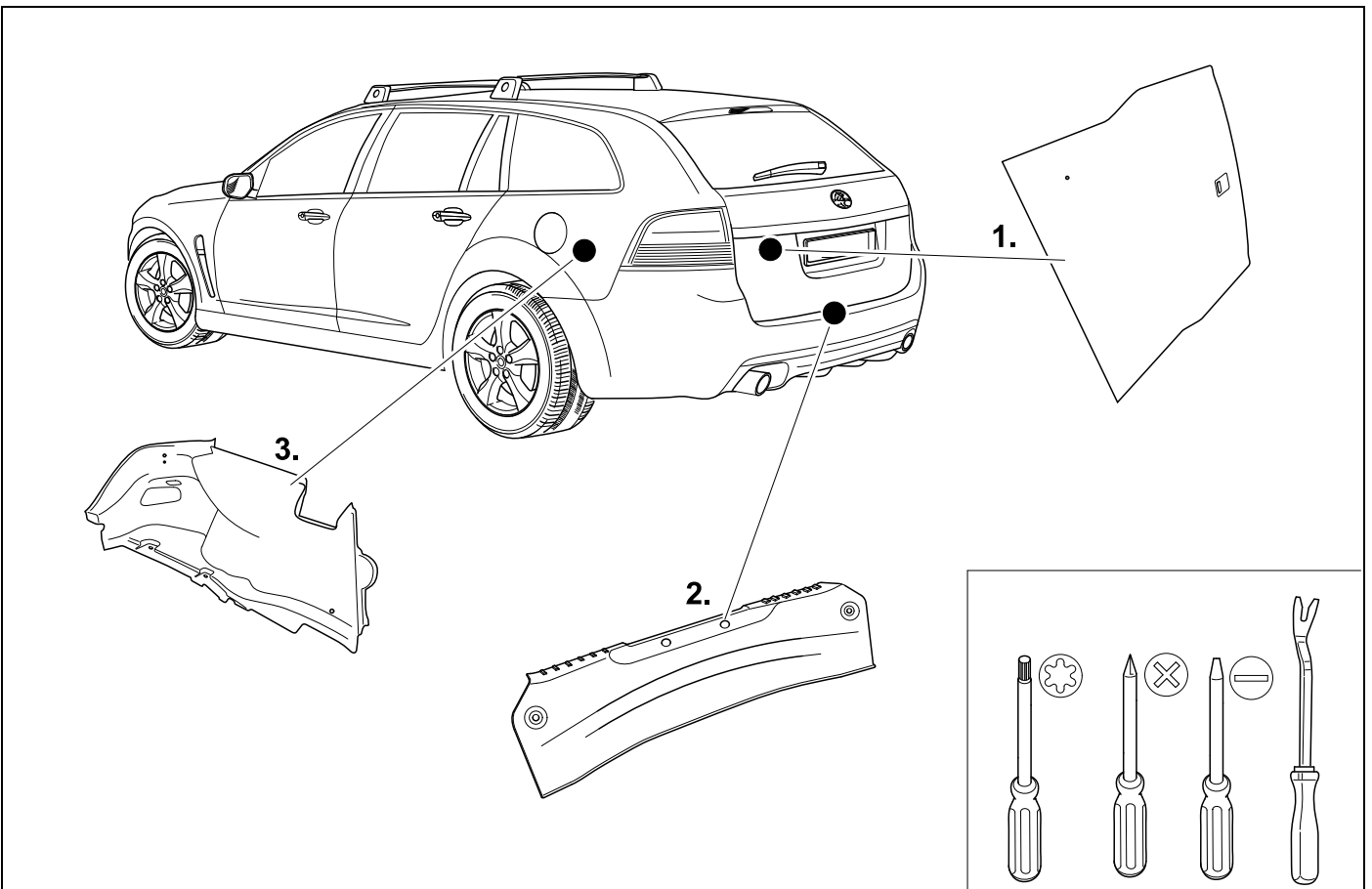
TOOLS



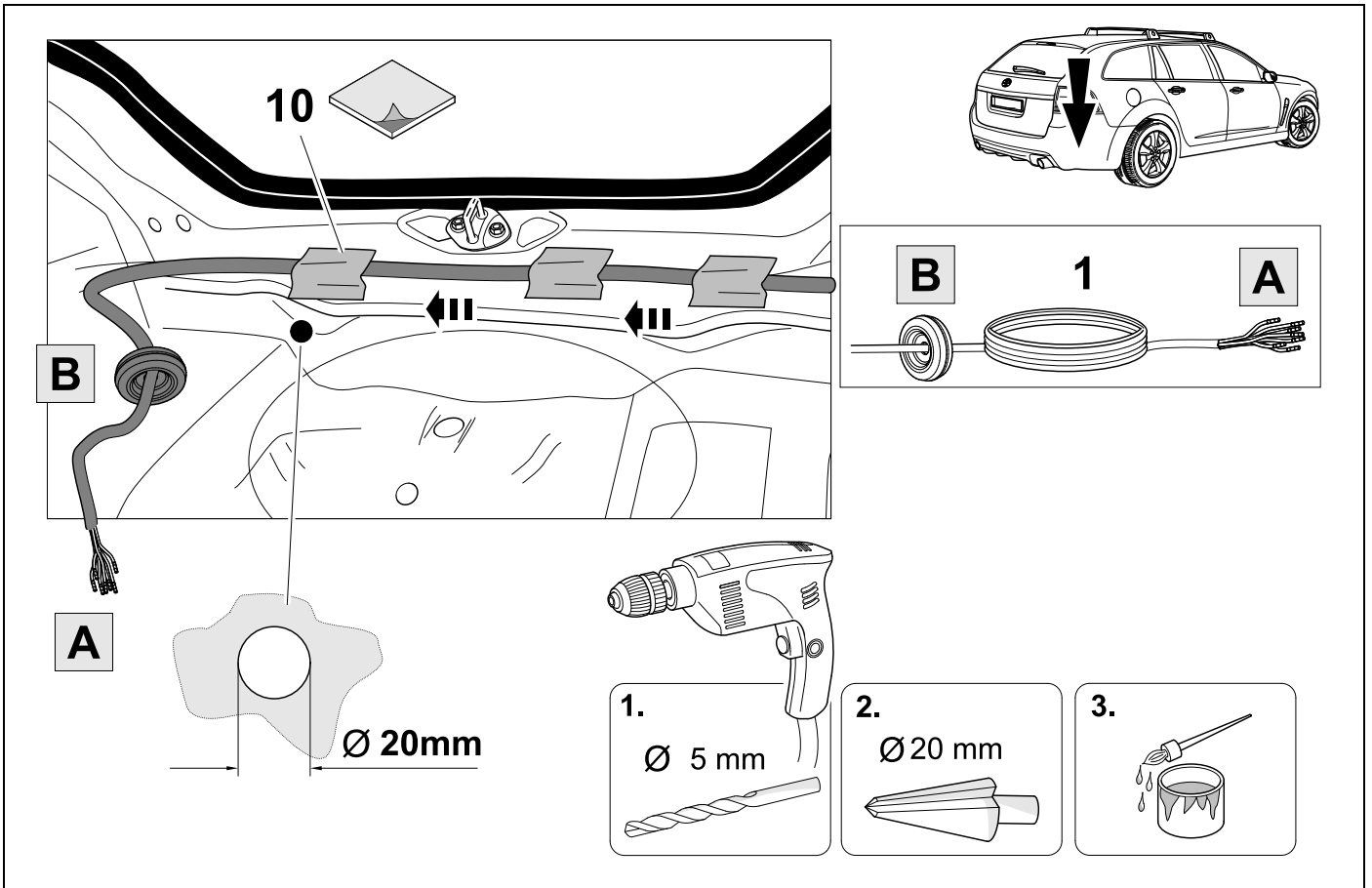
1



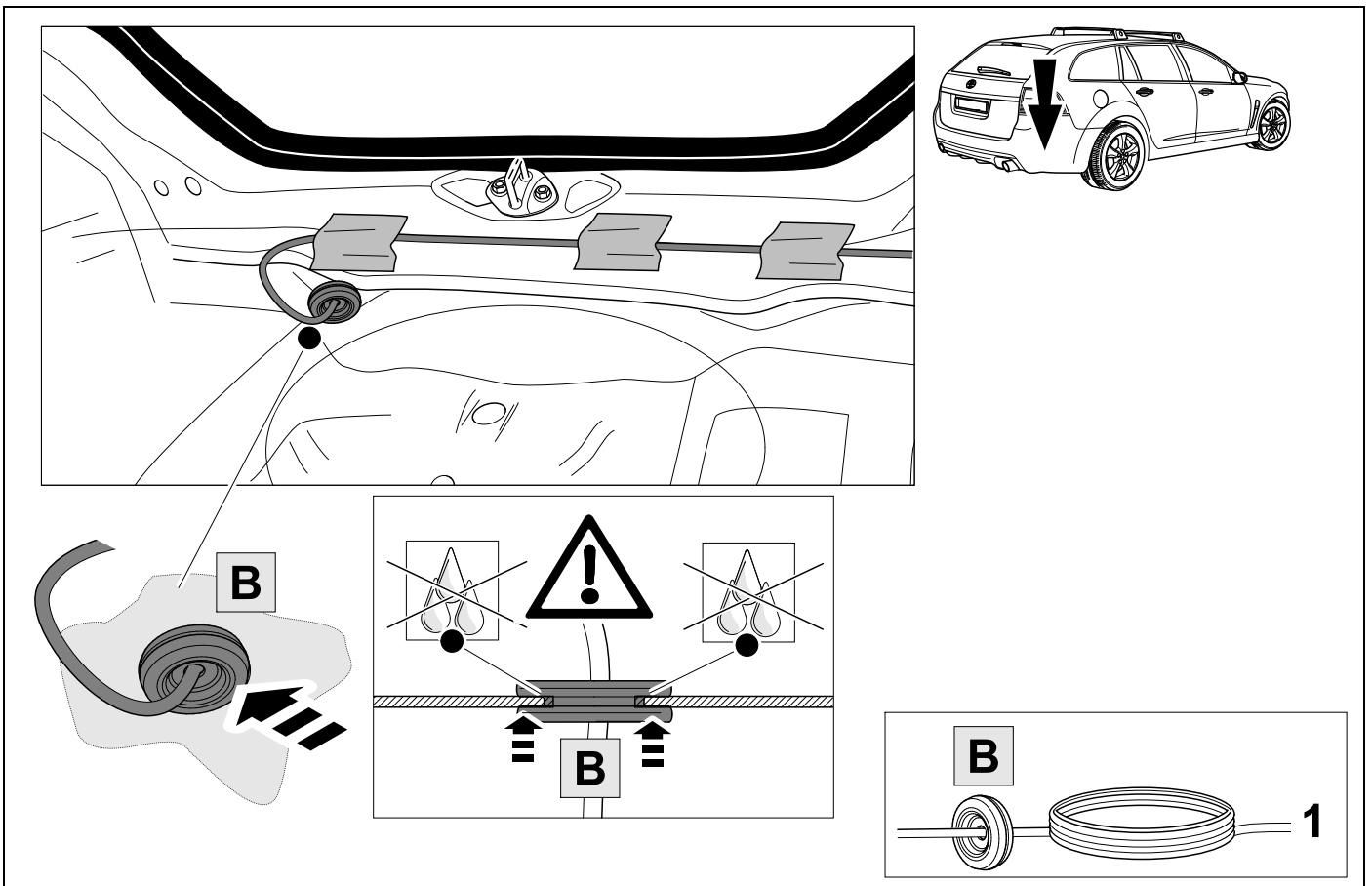
2



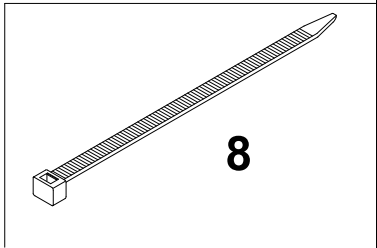
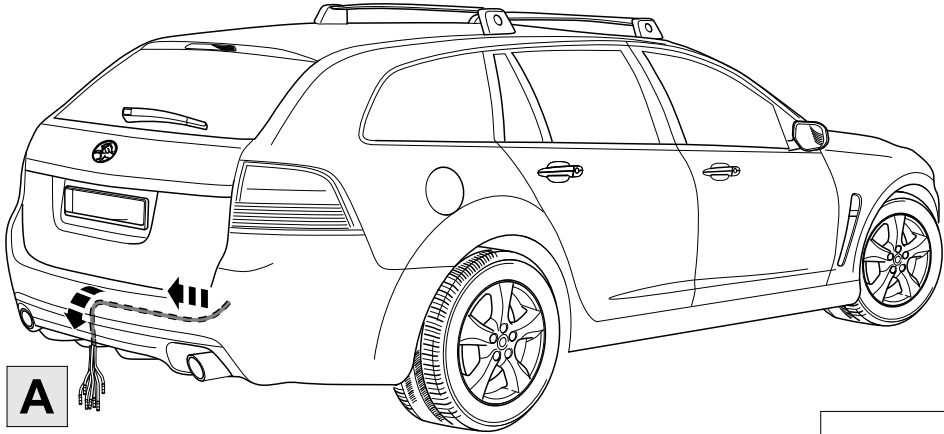
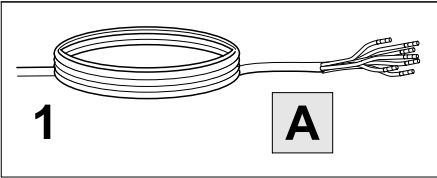
3



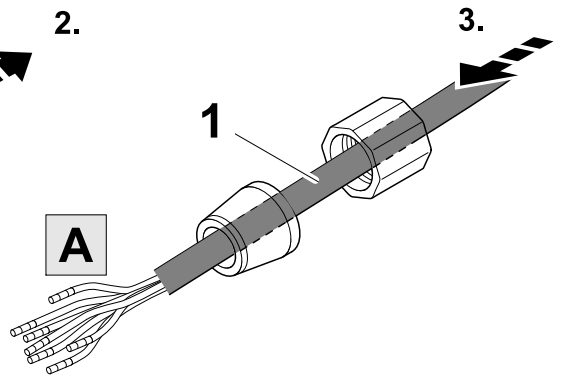
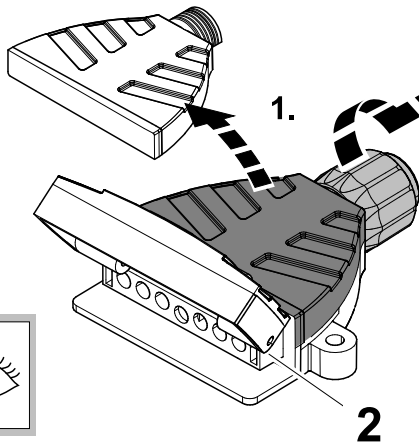
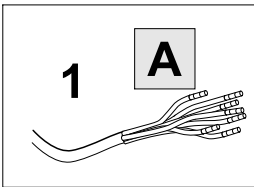
4



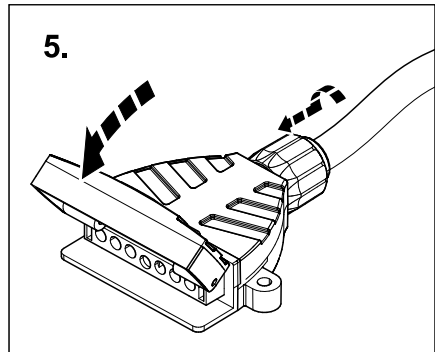
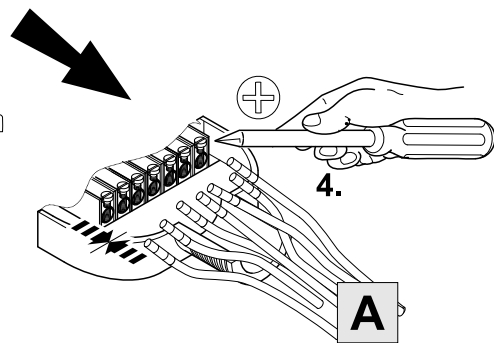
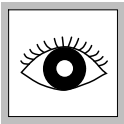
5



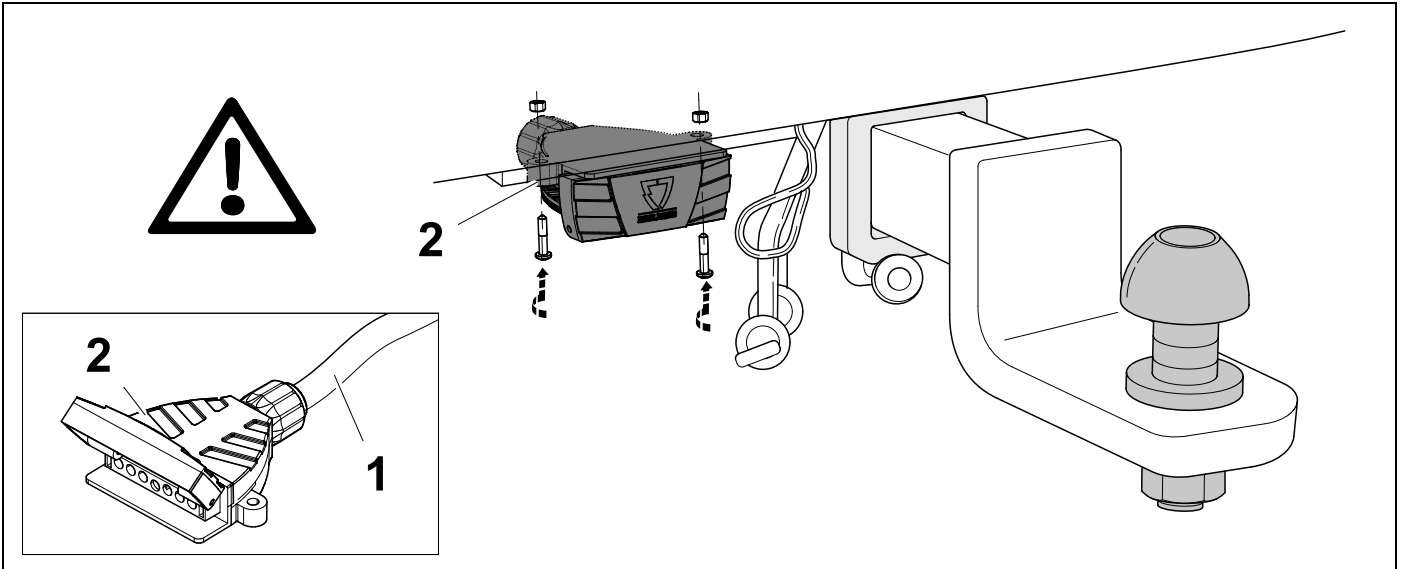
6



- gn **4**
- bn **7**
- bk **2**
- wh **3**
- bu **5**
- rd **6**
- ye **1**



7



8

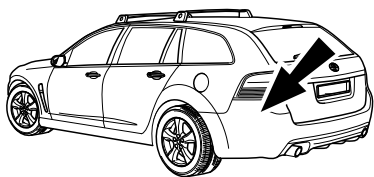


9

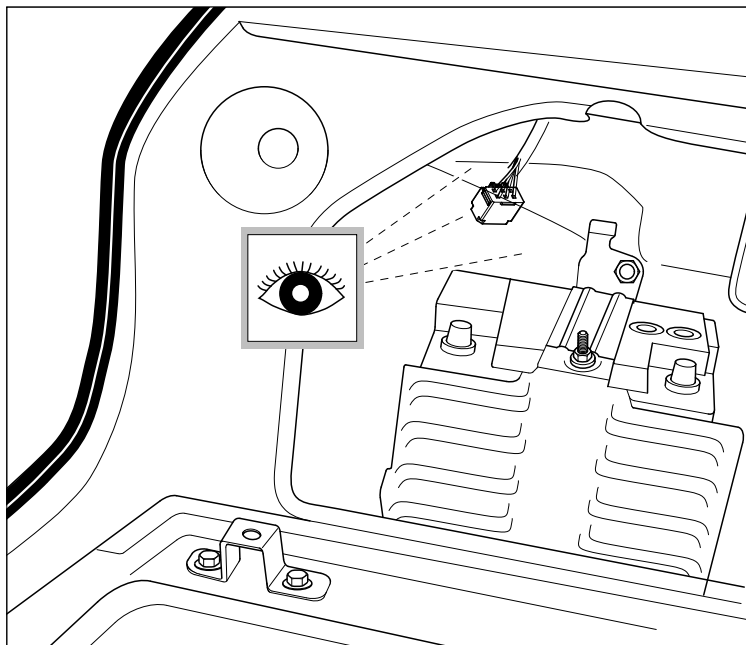
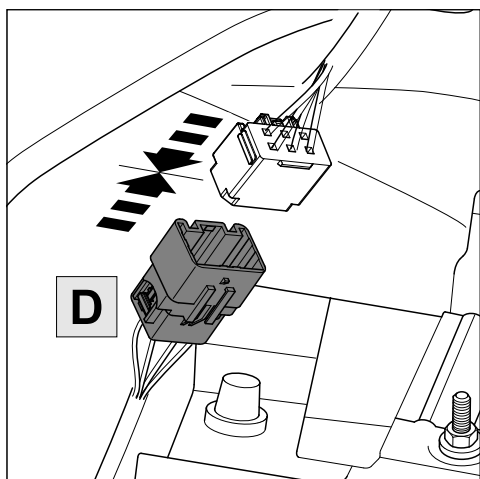
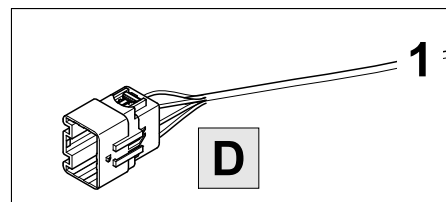
1	ye	
2	bk	
3	wh	
4	gn	
5	bu	
6	rd	
7	bn	

9	bk	wh	gy	gn	rd	bu	ye	bn	pu	or	no
	black	white	grey	green	red	blue	yellow	brown	purple	orange	not occupied

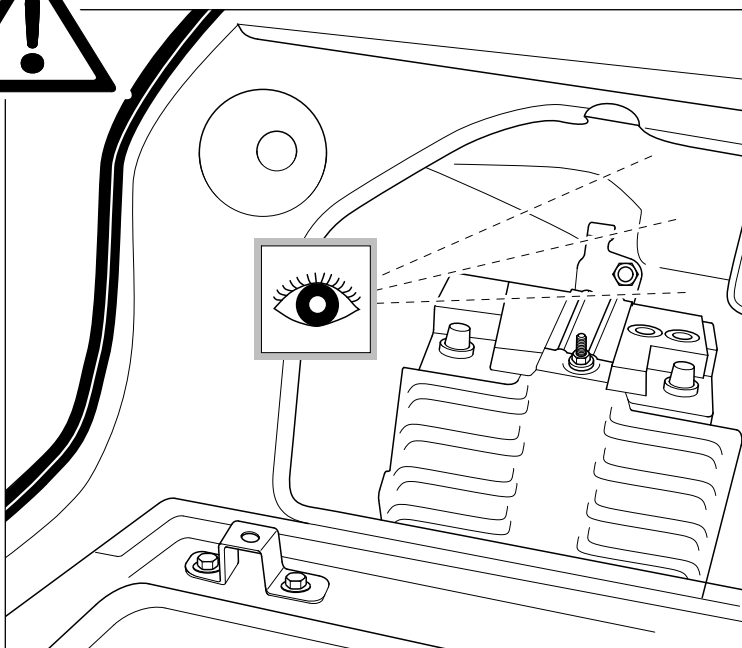
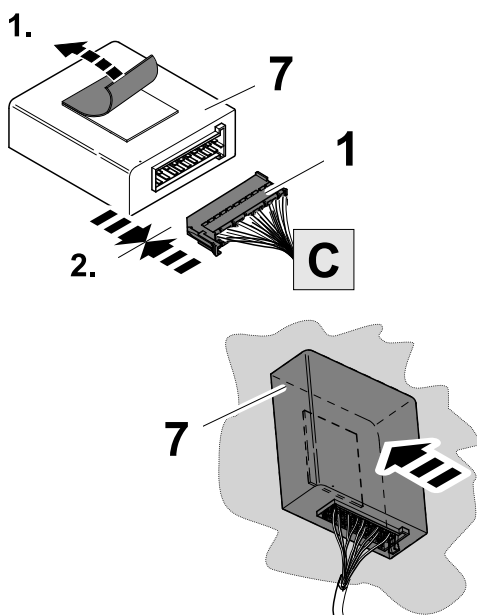
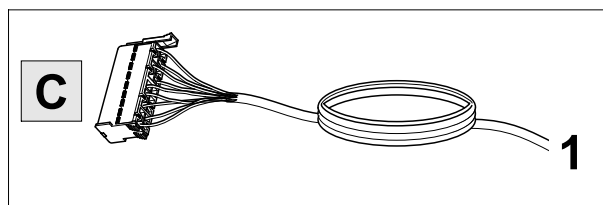
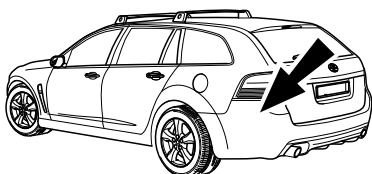
10



Trailer
breakout connector

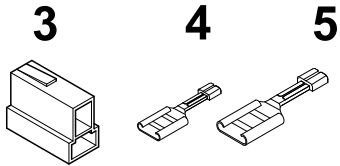
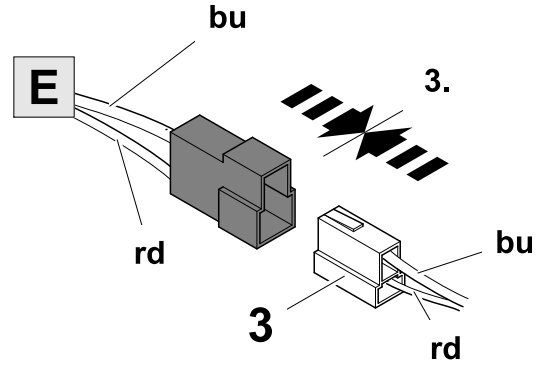
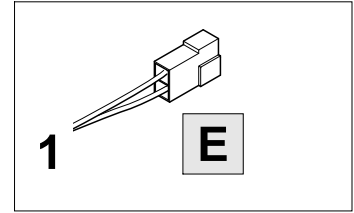
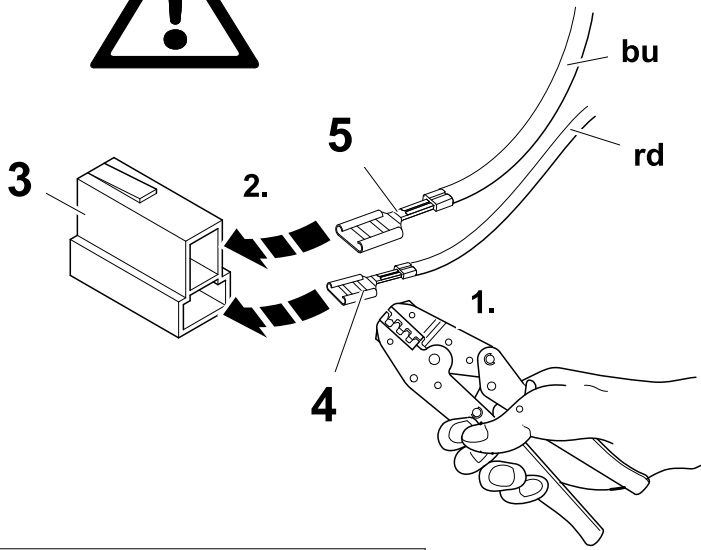


11



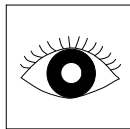
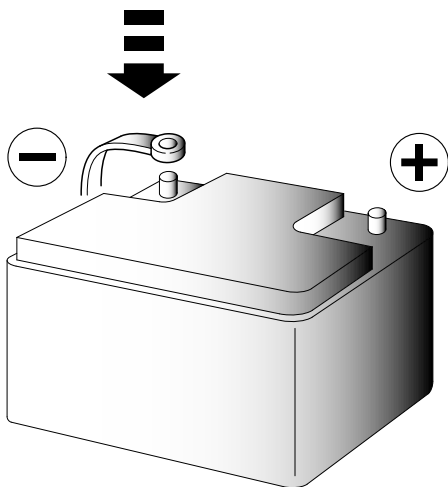


Trailer Brake Preparation



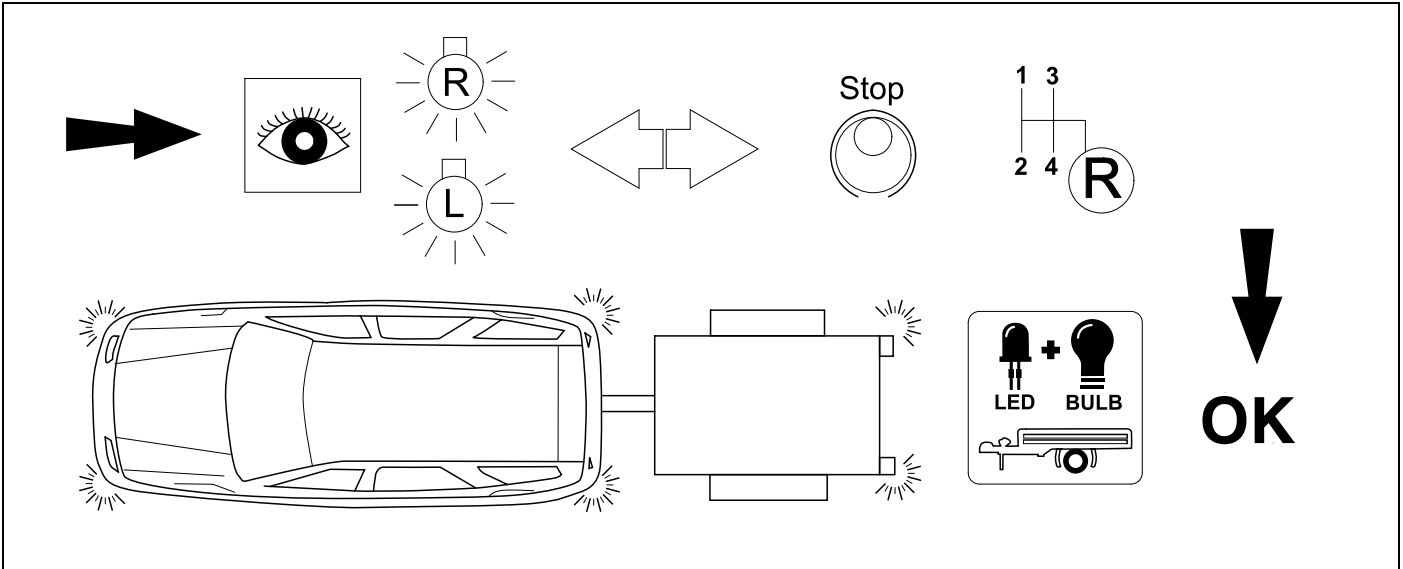
APPROVED, TESTED AND CERTIFIED TO BE USED WITH THE SPECTRUM BRAKE CONTROLLER.

USE OUR BRAKE CONTROLLER CONNECTION HARNESS 529008EJ



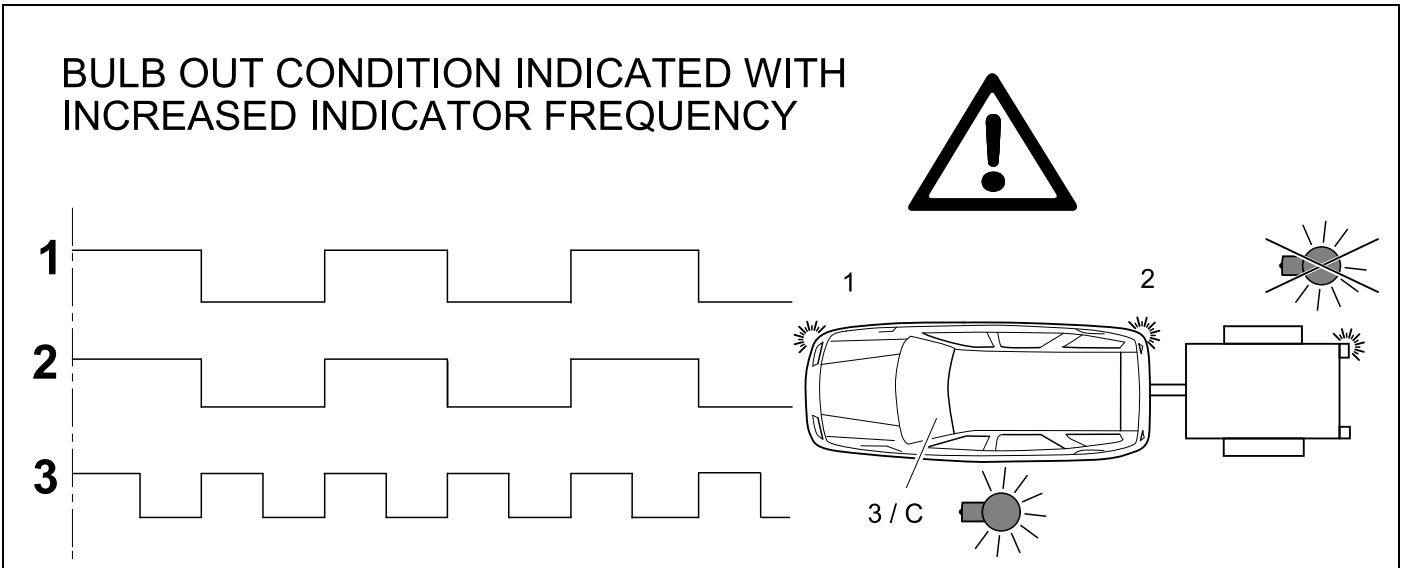
14

CHECK ALL LIGHTING FUNCTIONS



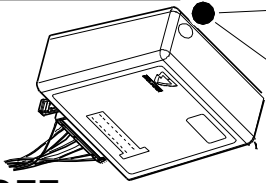
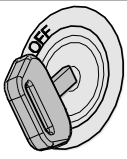
15

CHECK BULB OUT DETECTION



Status LED for self-diagnosis

Operation Support



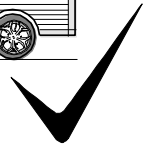
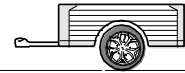
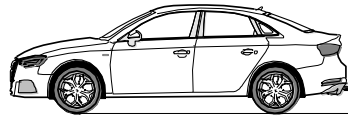
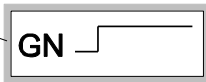
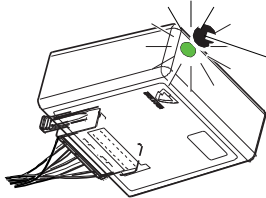
No CAN-Data =



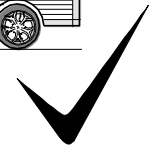
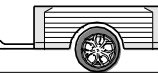
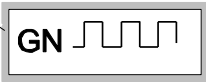
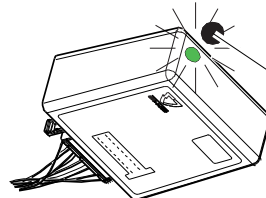
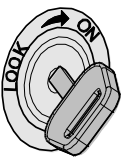
Standby / Sleepmode



Ignition OFF



Ignition ON



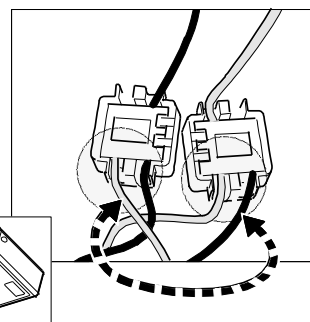
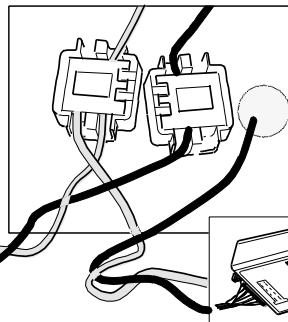
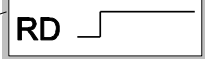
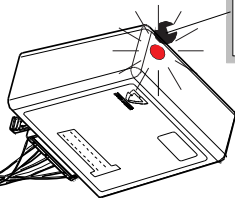
Ignition ON

Failure Support

CAN-Data Wire

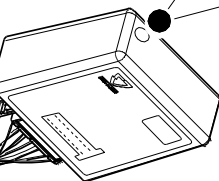
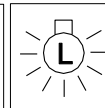
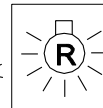


1x max. 5 min.



Ignition ON

Failure indicated by the module LED glowing red for a maximum of 5 minutes. If trailer connected the tail lights will also glow indicating failure of CAN signal.

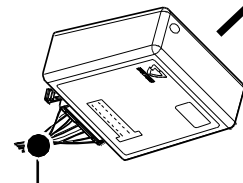
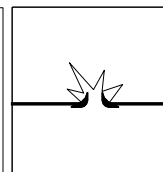
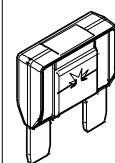
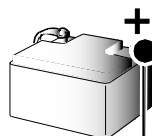


PIN 17

or



PIN 1



Ignition ON