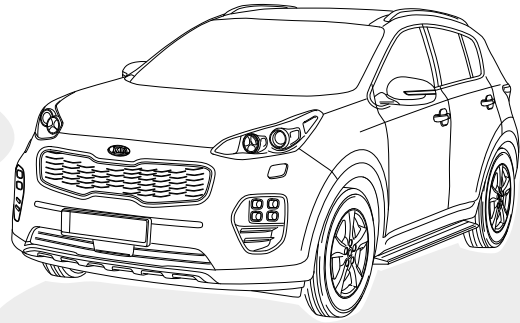
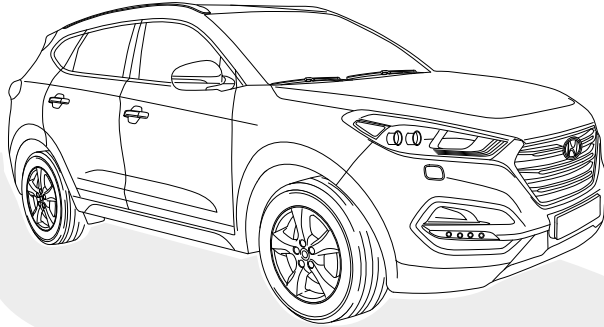




ERICH JAEGER

# Installation instructions



## 750064EJ

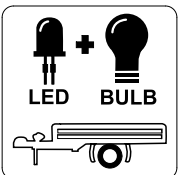
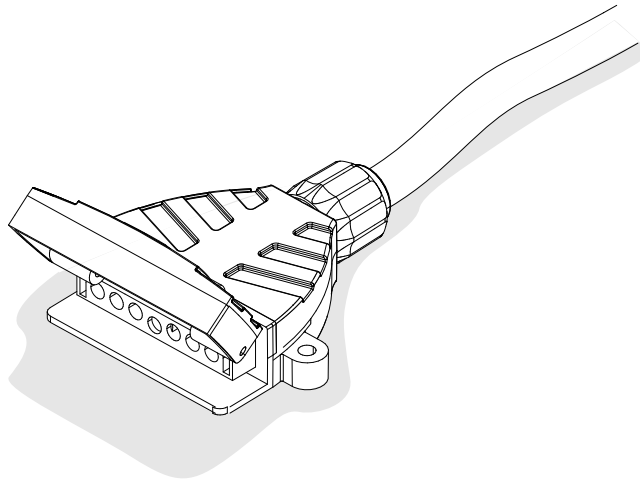
**HYUNDAI Tucson**  
**KIA Sportage**

**07/15 >>**

**01/16 >>**



SCAN FOR  
LATEST  
INSTRUCTIONS



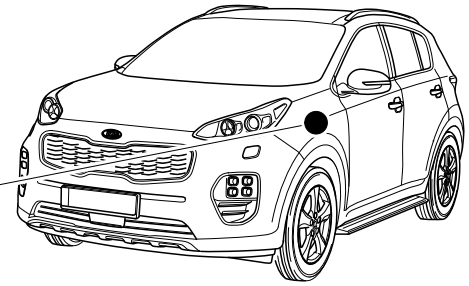
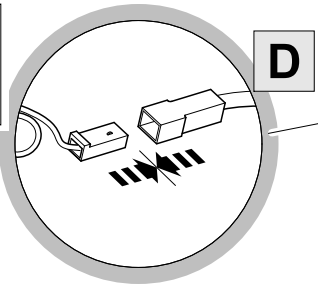
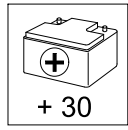
### Reference:

The following information must be reviewed before beginning the assembly:

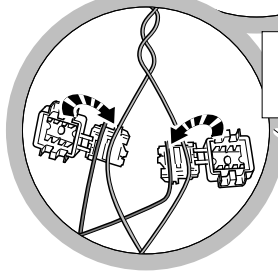
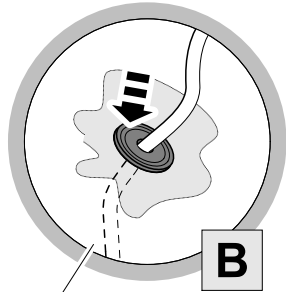
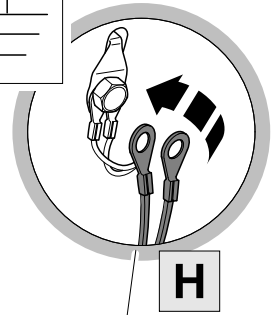
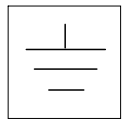
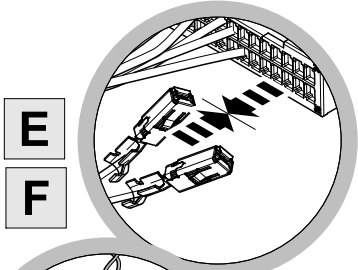
The installation instructions are to be thoroughly read.

The installation should be carried out by qualified personnel with the relevant technical knowledge. The vehicle manufacturers' current technical notices and information on retrofitting must be followed. The removal and replacement instructions found in the current repair manuals must be followed.

It must be ensured that the vehicle is technically suitable for the installation of a trailer hitch.

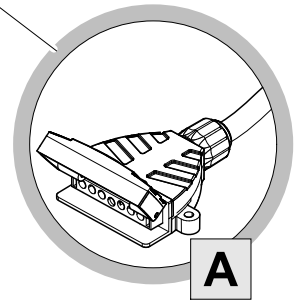
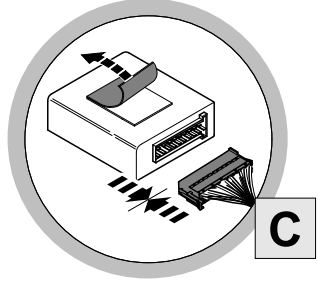
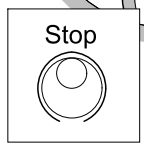
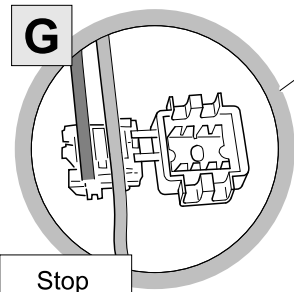
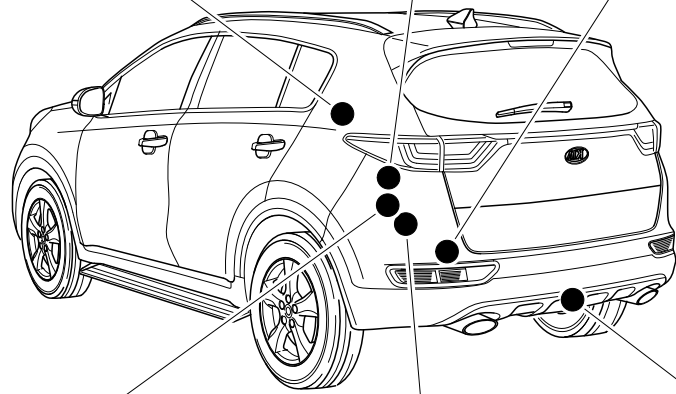


### OPTION 1

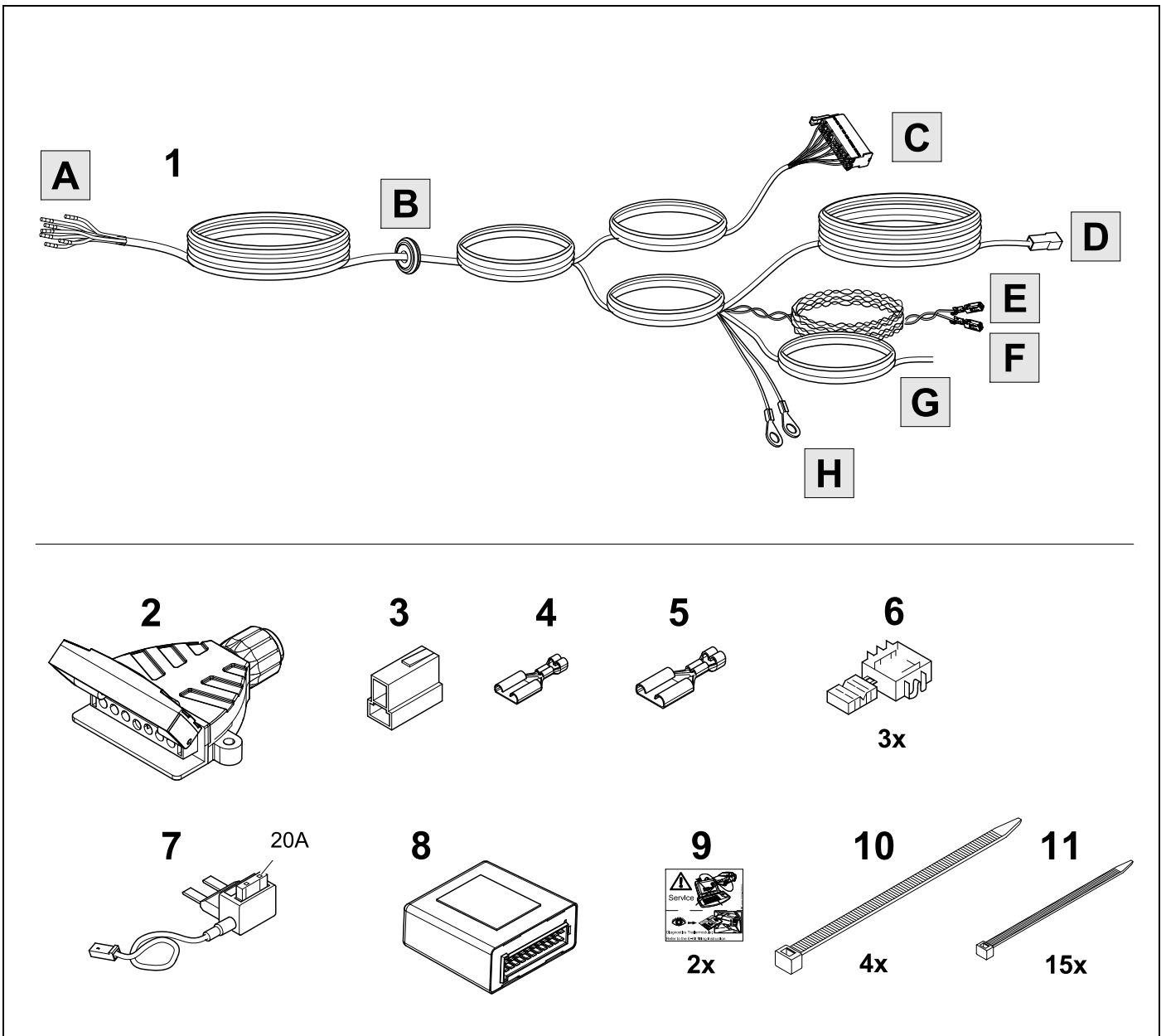


**CAN**

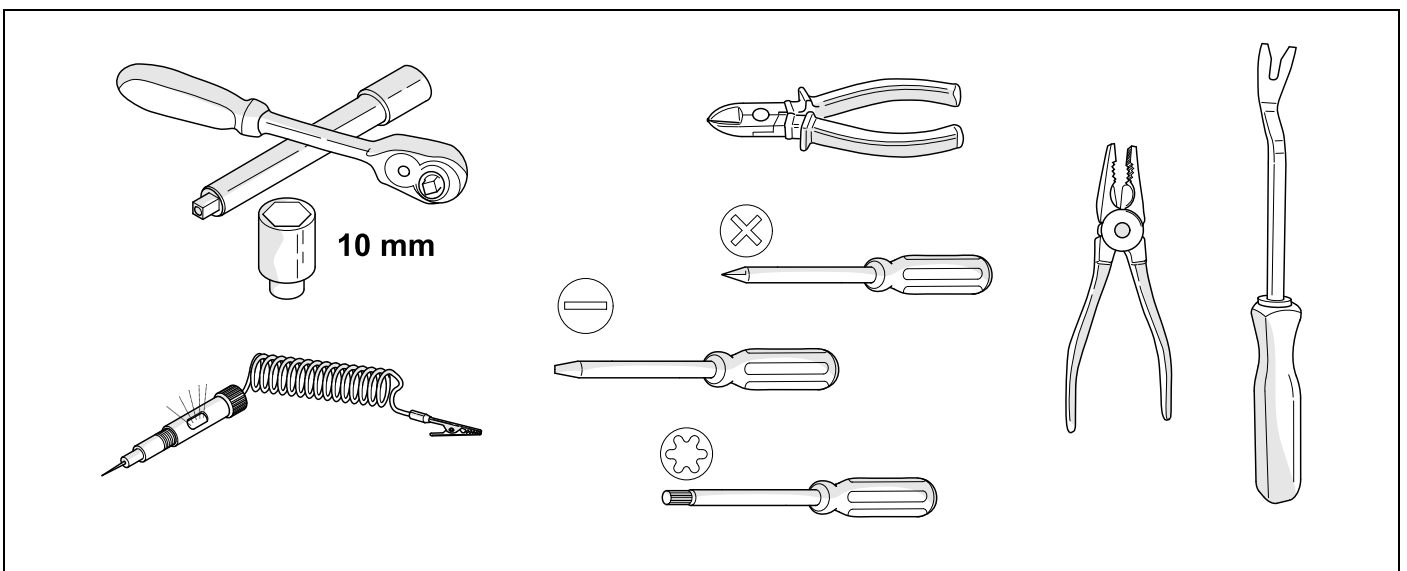
### OPTION 2



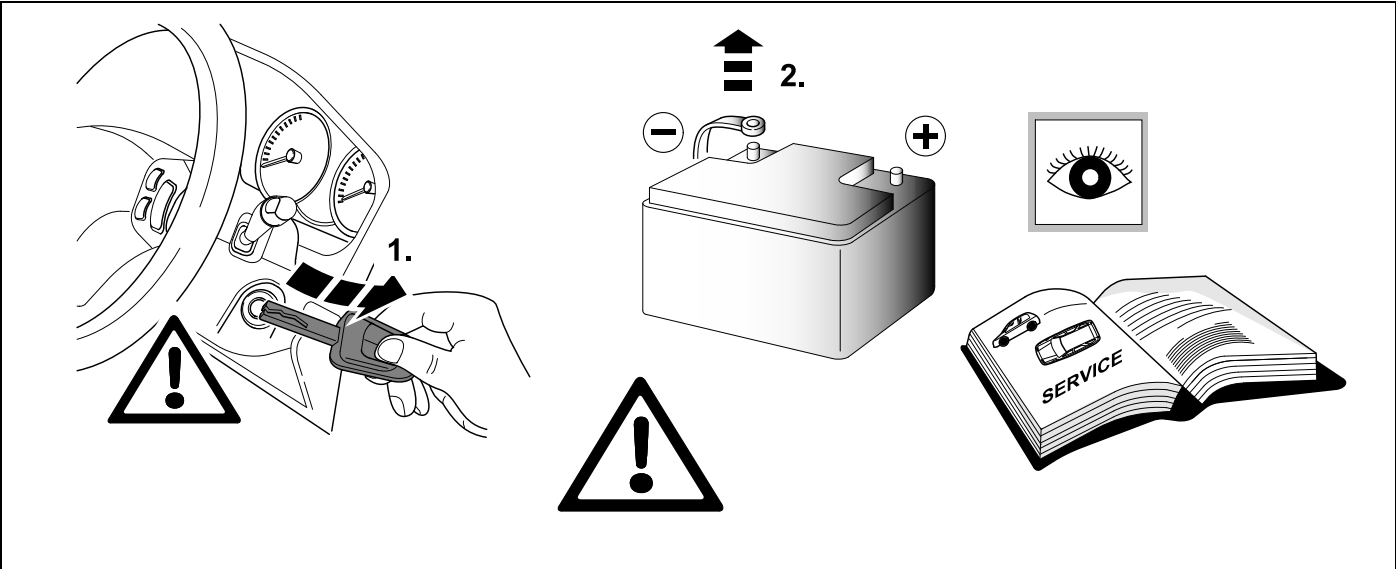
# KIT



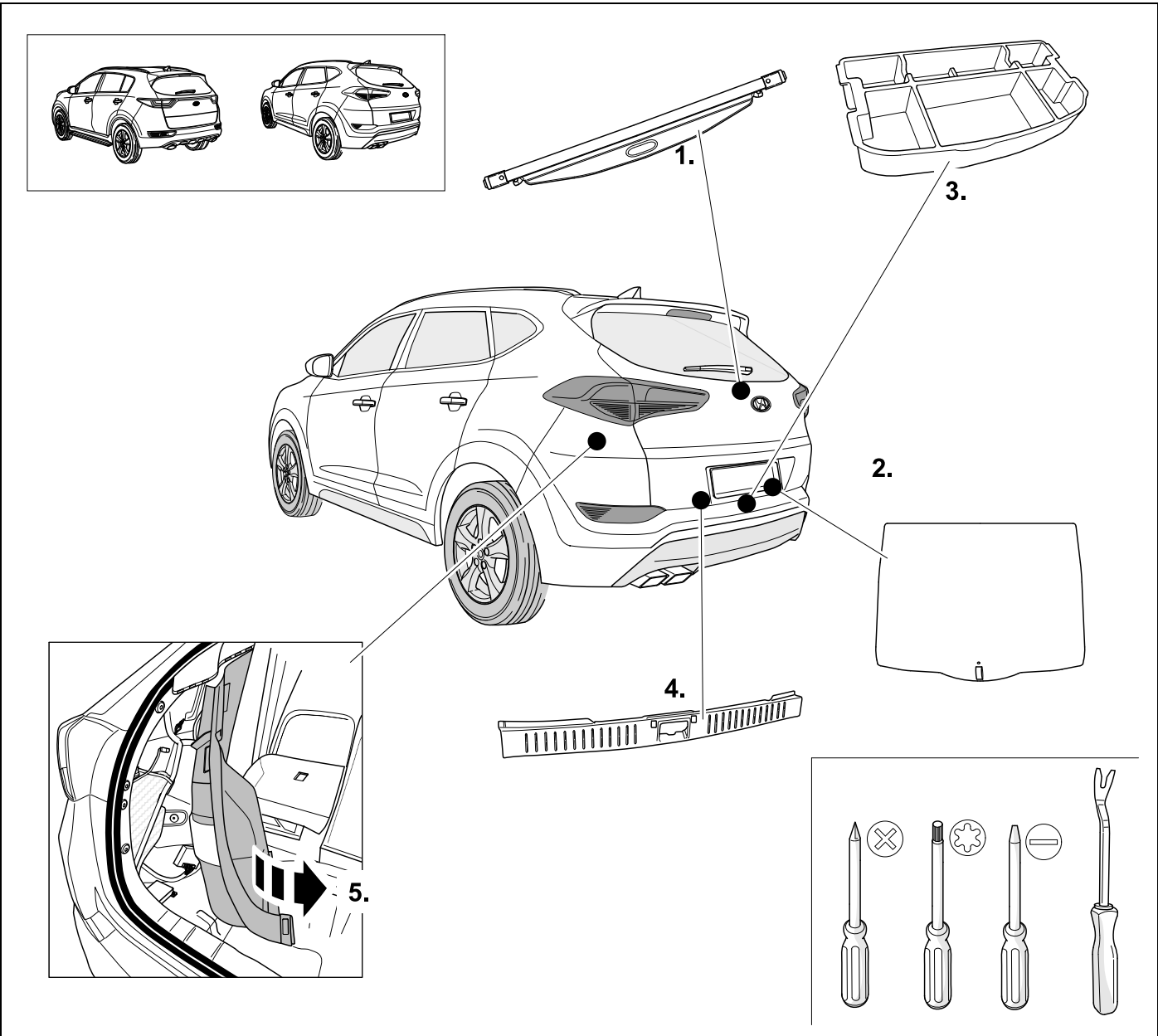
# TOOLS



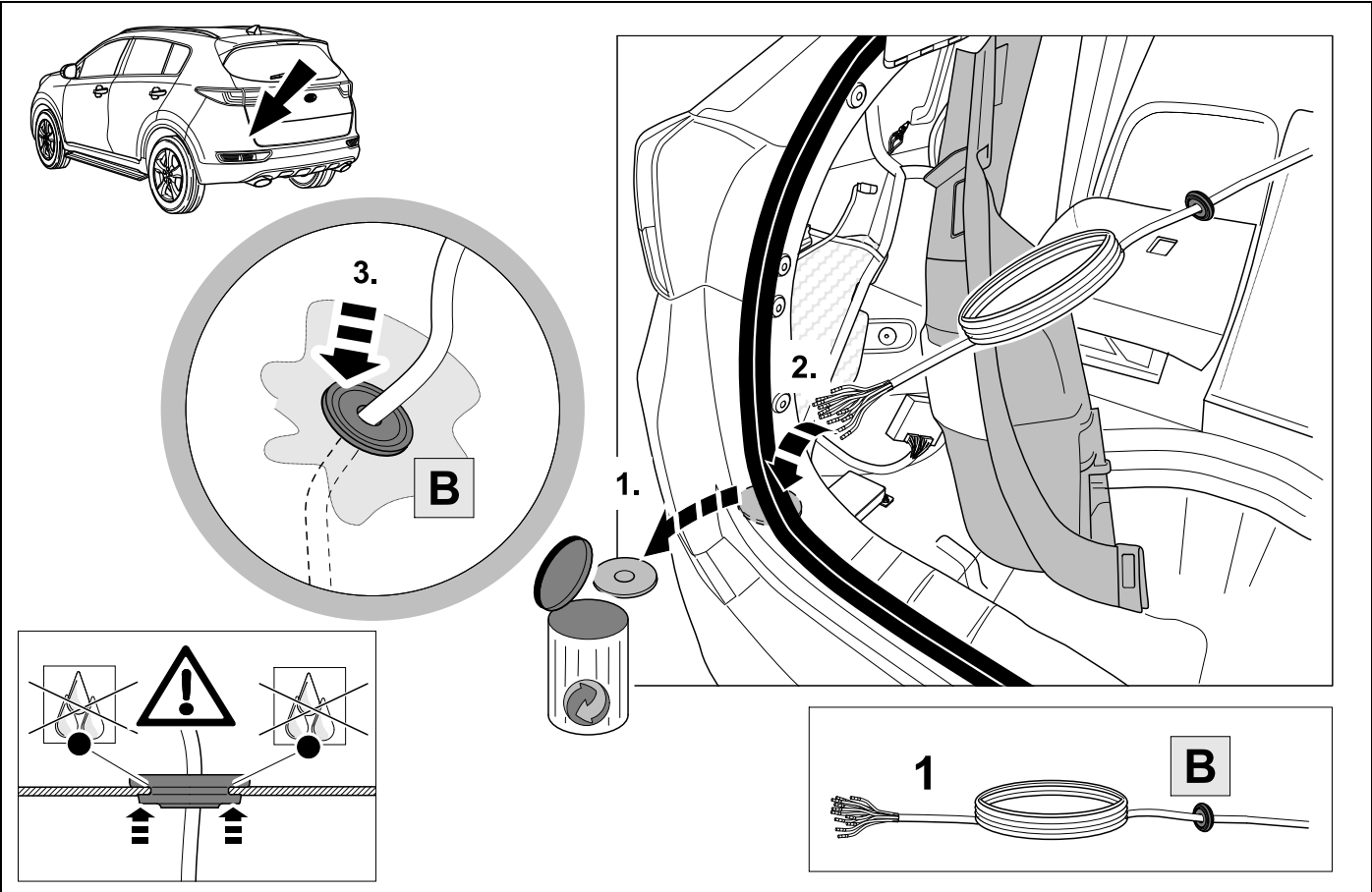
1



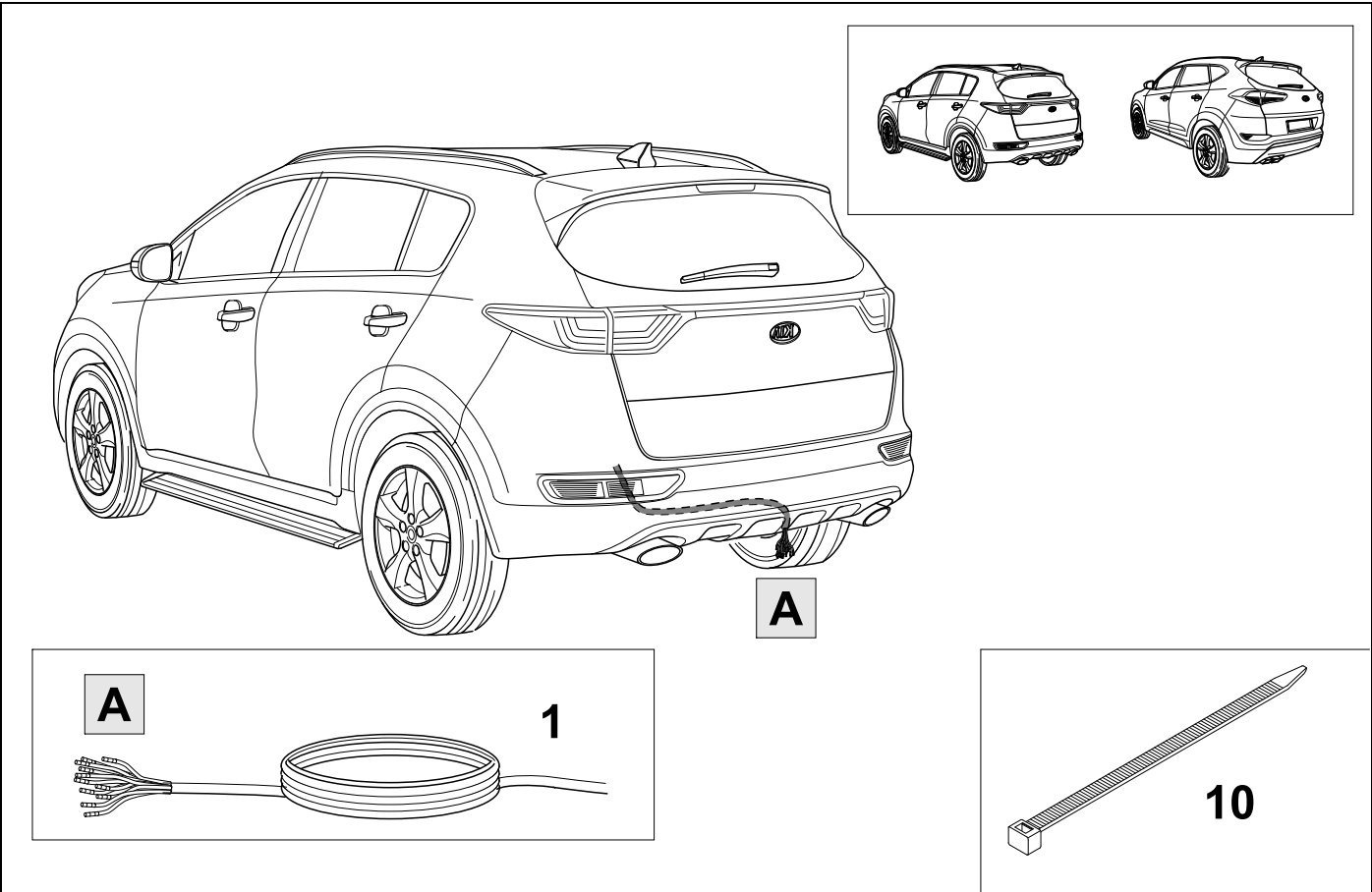
2



3



4



5



7

gn	4	
bn	7	
bk	2	
wh	3	
bu	5	
rd	6	
ye	1	

1.

2.

3.

4.

5.

6

1.

2.

7

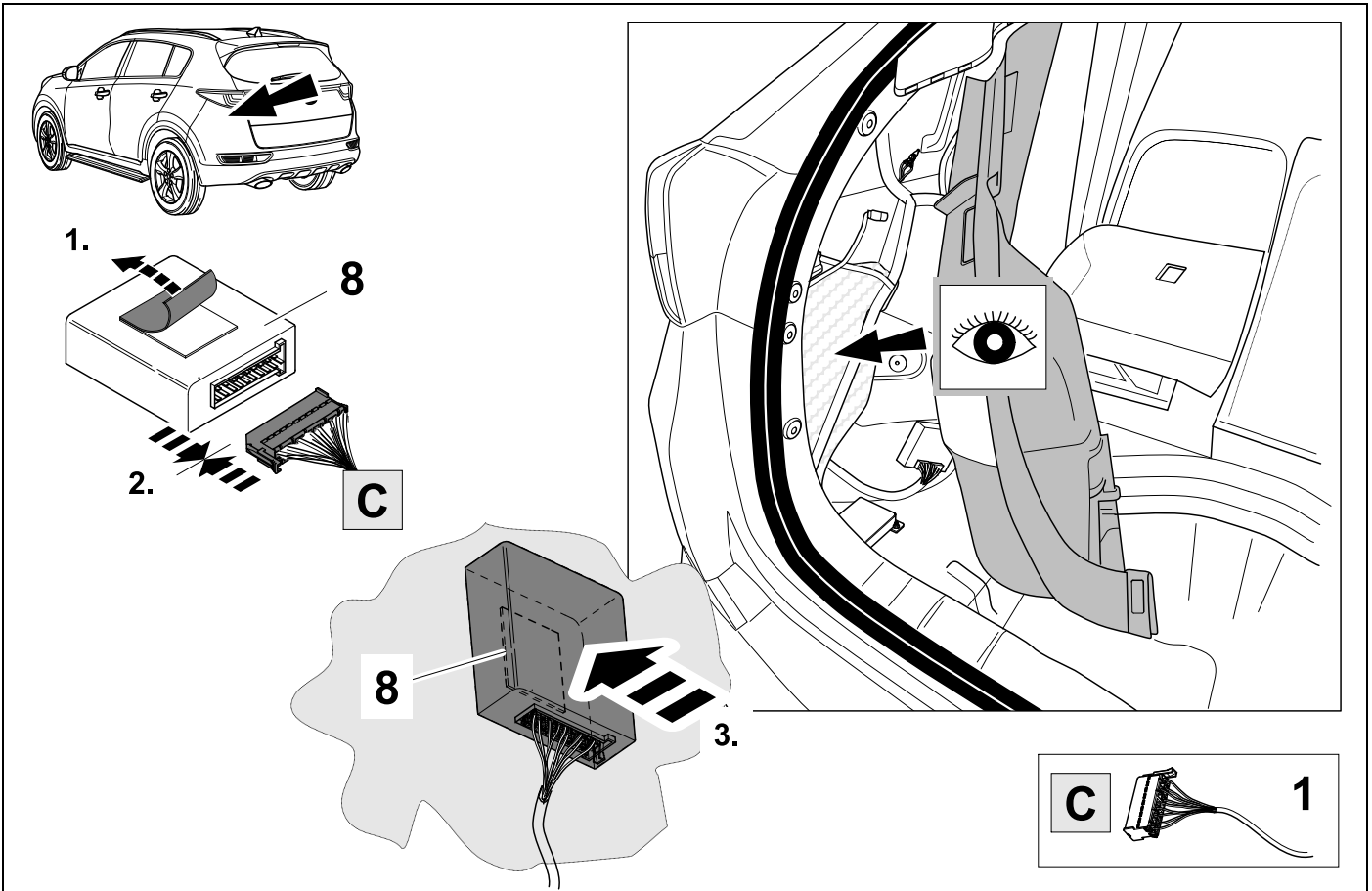


1	ye	
2	bk	
3	wh	
4	gn	
5	bu	
6	rd	
7	bn	

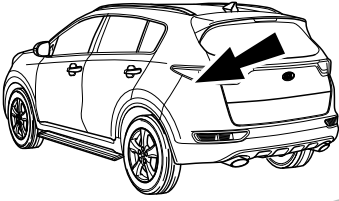
8	bk	wh	gy	gn	rd	bu	ye	bn	pu	or	no
---	----	----	----	----	----	----	----	----	----	----	----

	black	white	grey	green	red	blue	yellow	brown	purple	orange	not occupied
--	-------	-------	------	-------	-----	------	--------	-------	--------	--------	--------------

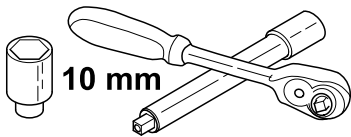
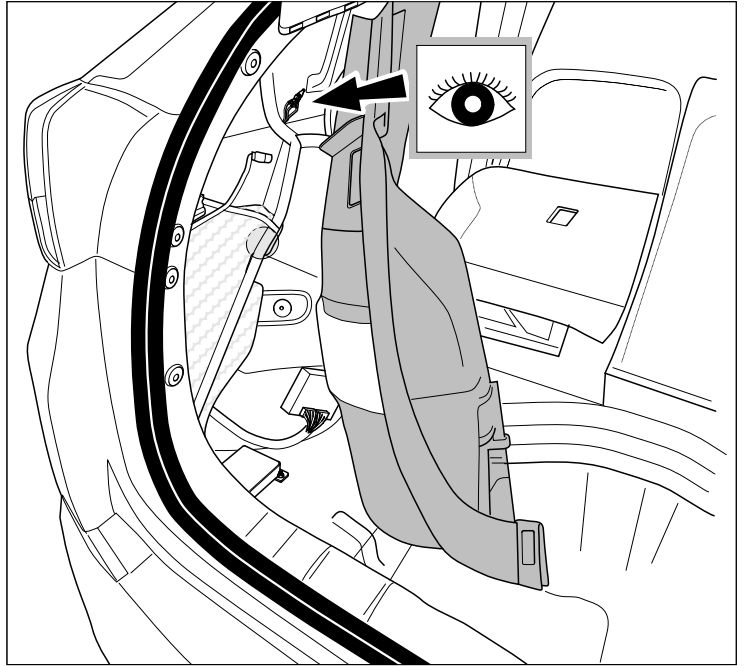
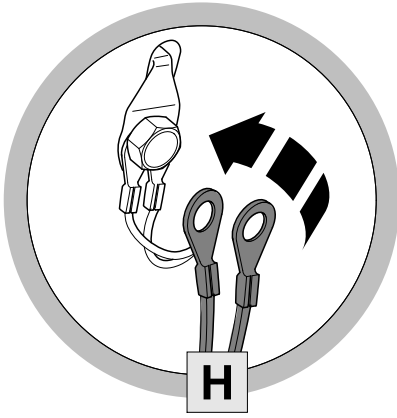
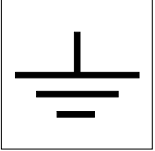
9



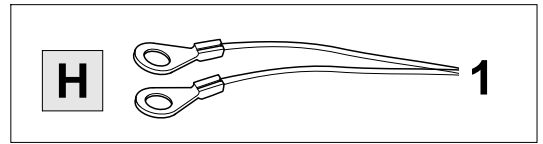
10



Ground!



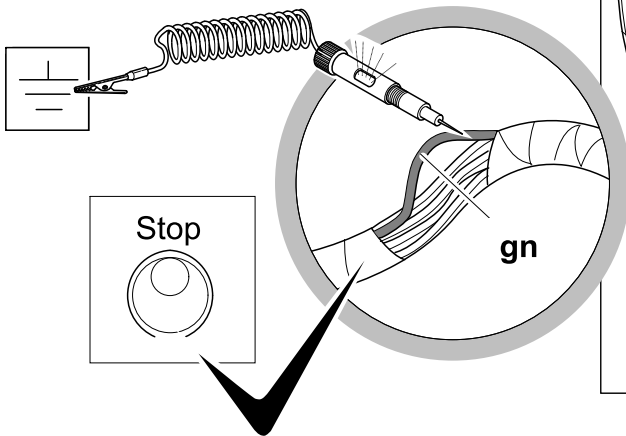
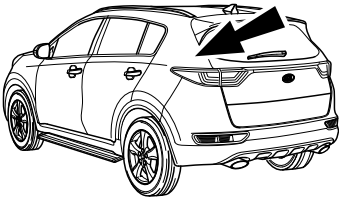
10 mm



11

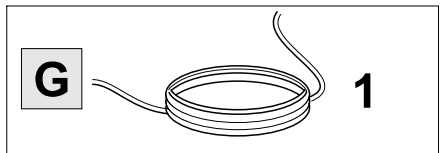
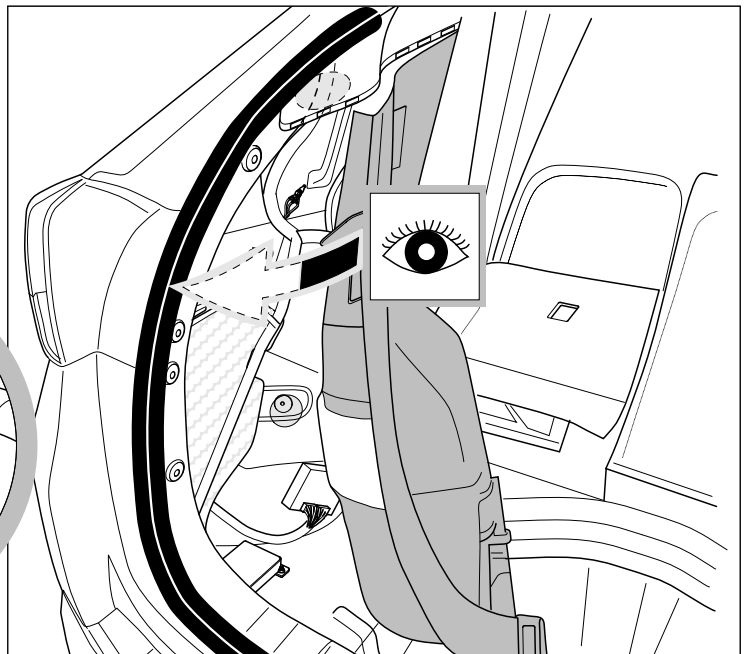


8



Stop

gn



G

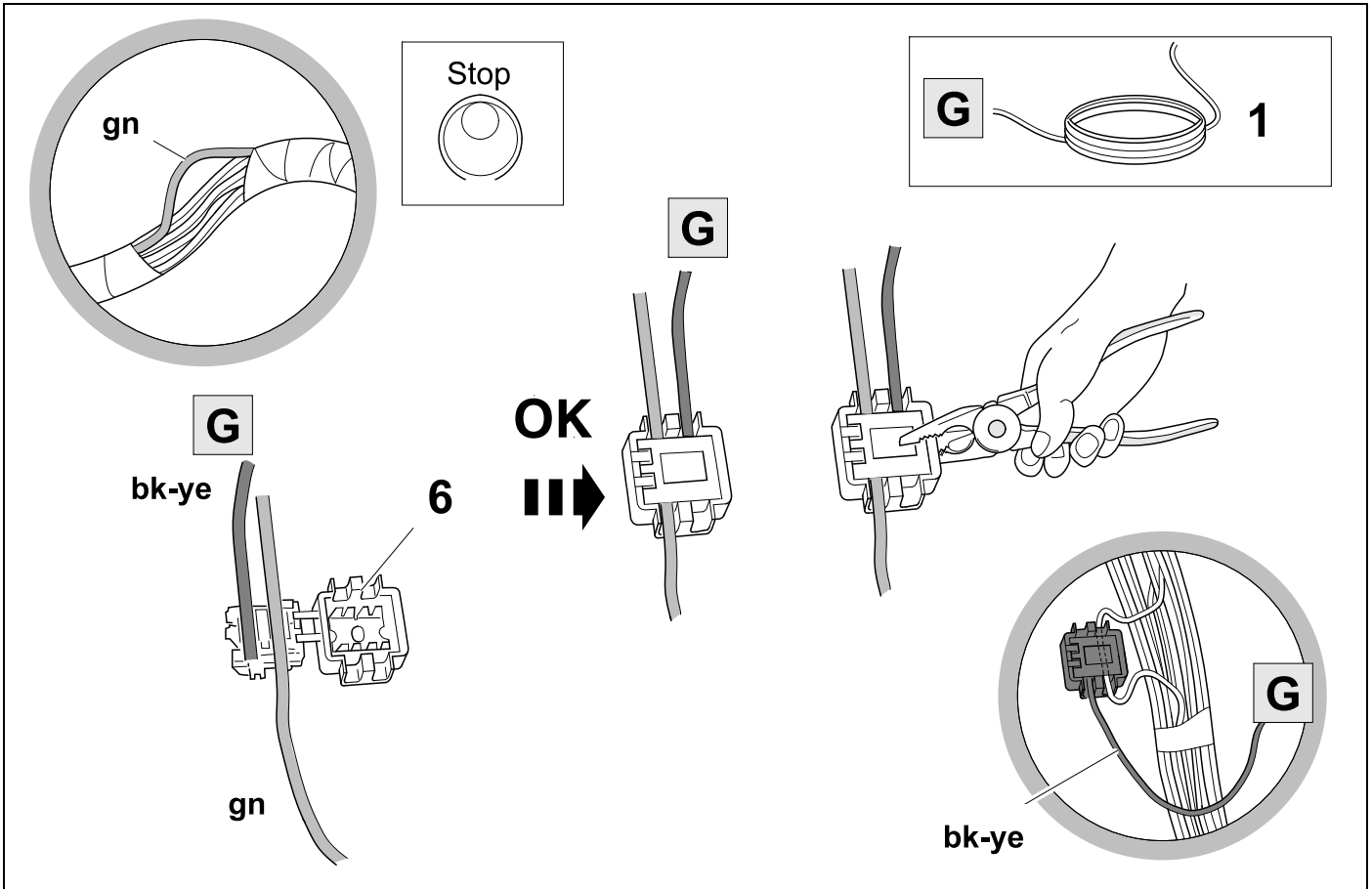
1



12

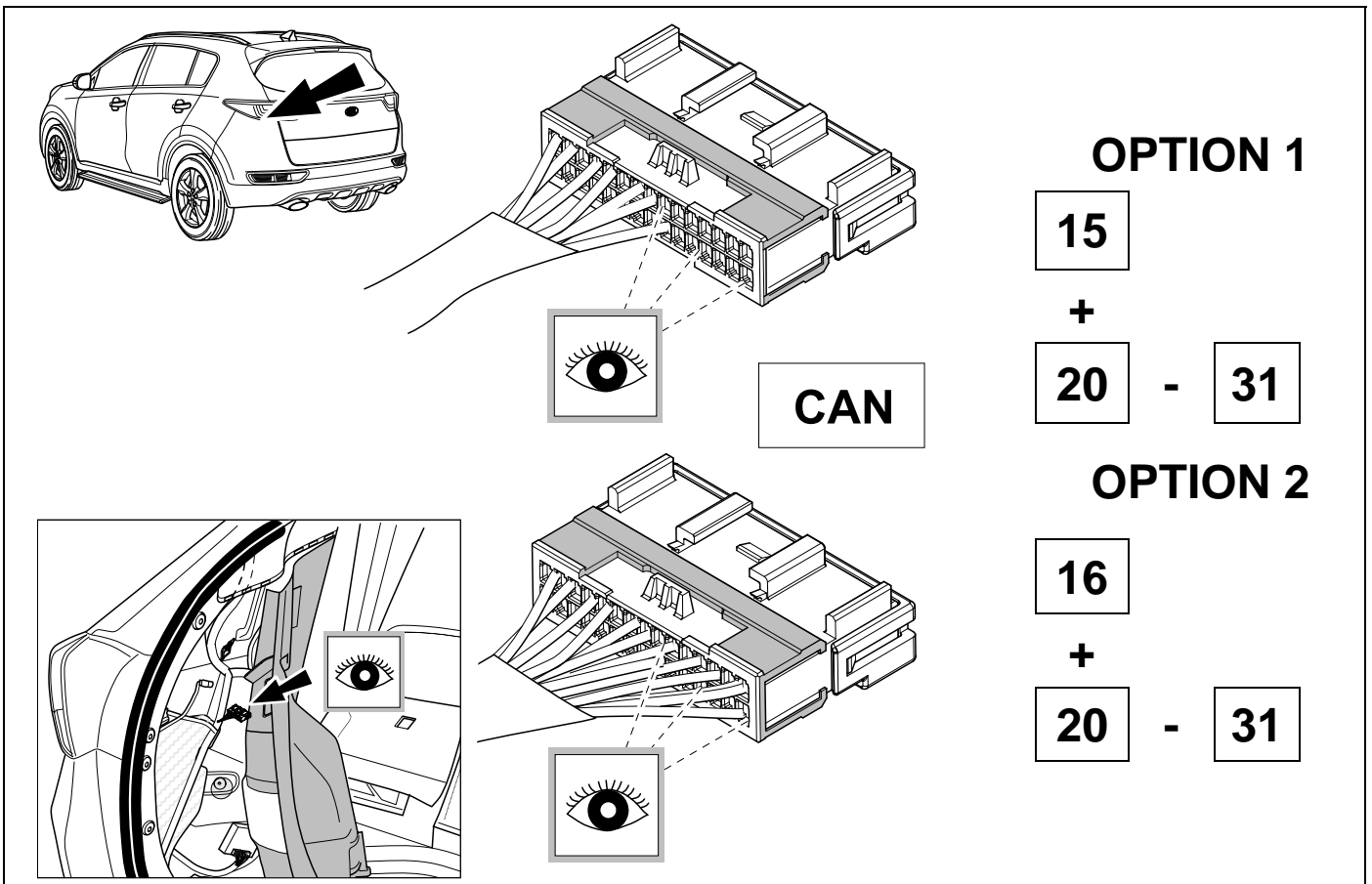


8



13

### SPORTAGE 01/16 >> 09/18

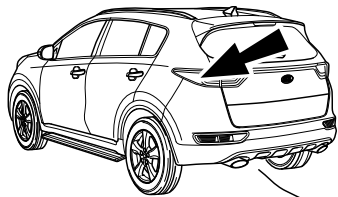


14

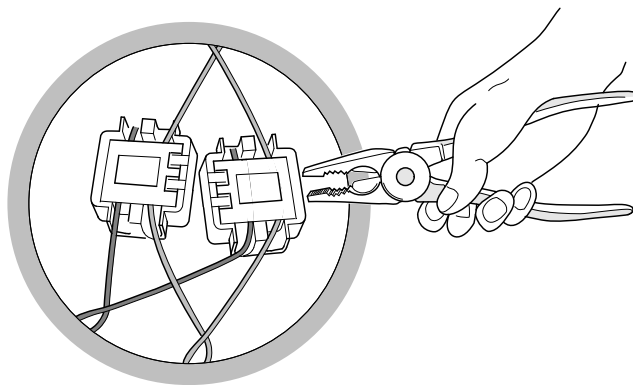
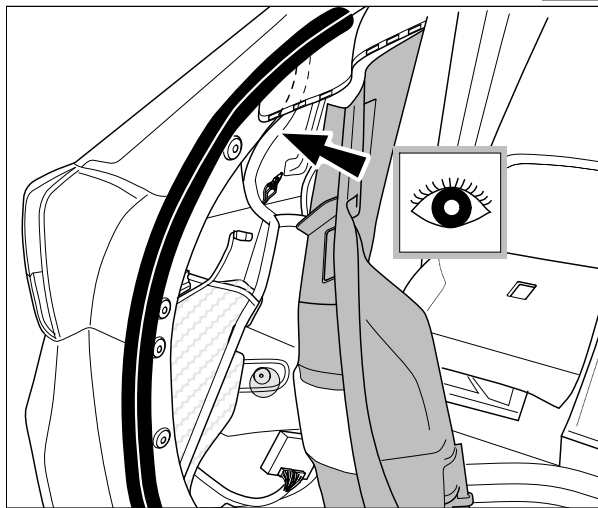
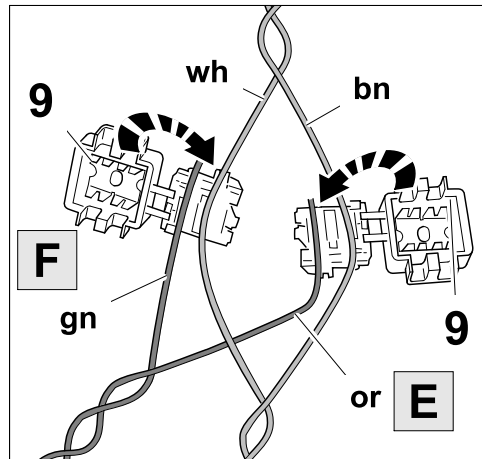
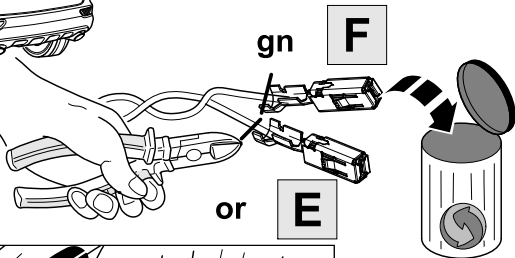


9

SPORTAGE 10/18 >>



CAN

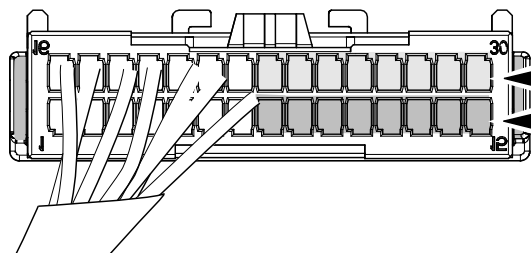
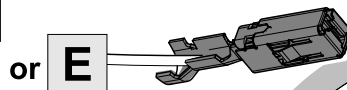
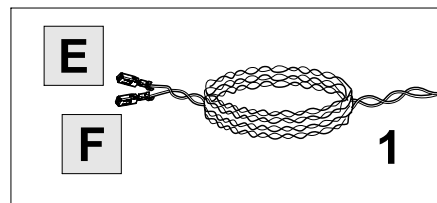
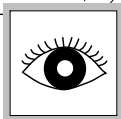
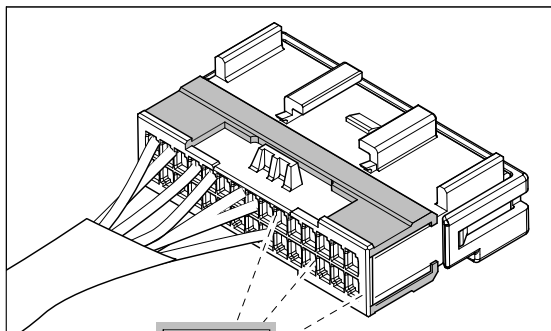


15 OPTION 1

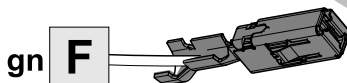
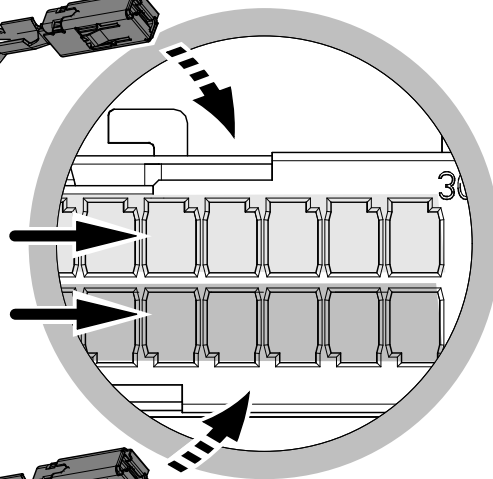


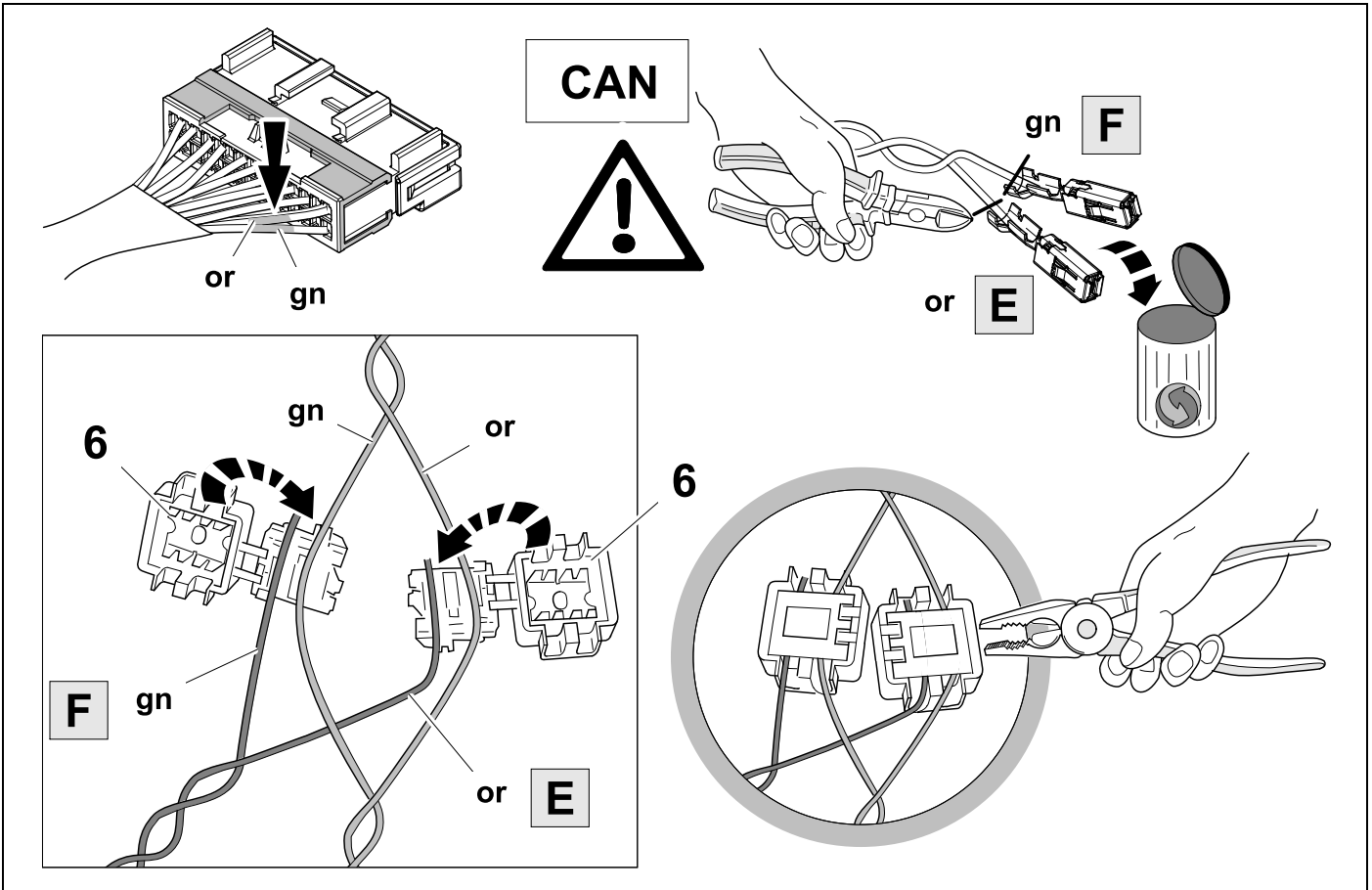
9

SPORTAGE 01/16 >> 09/18

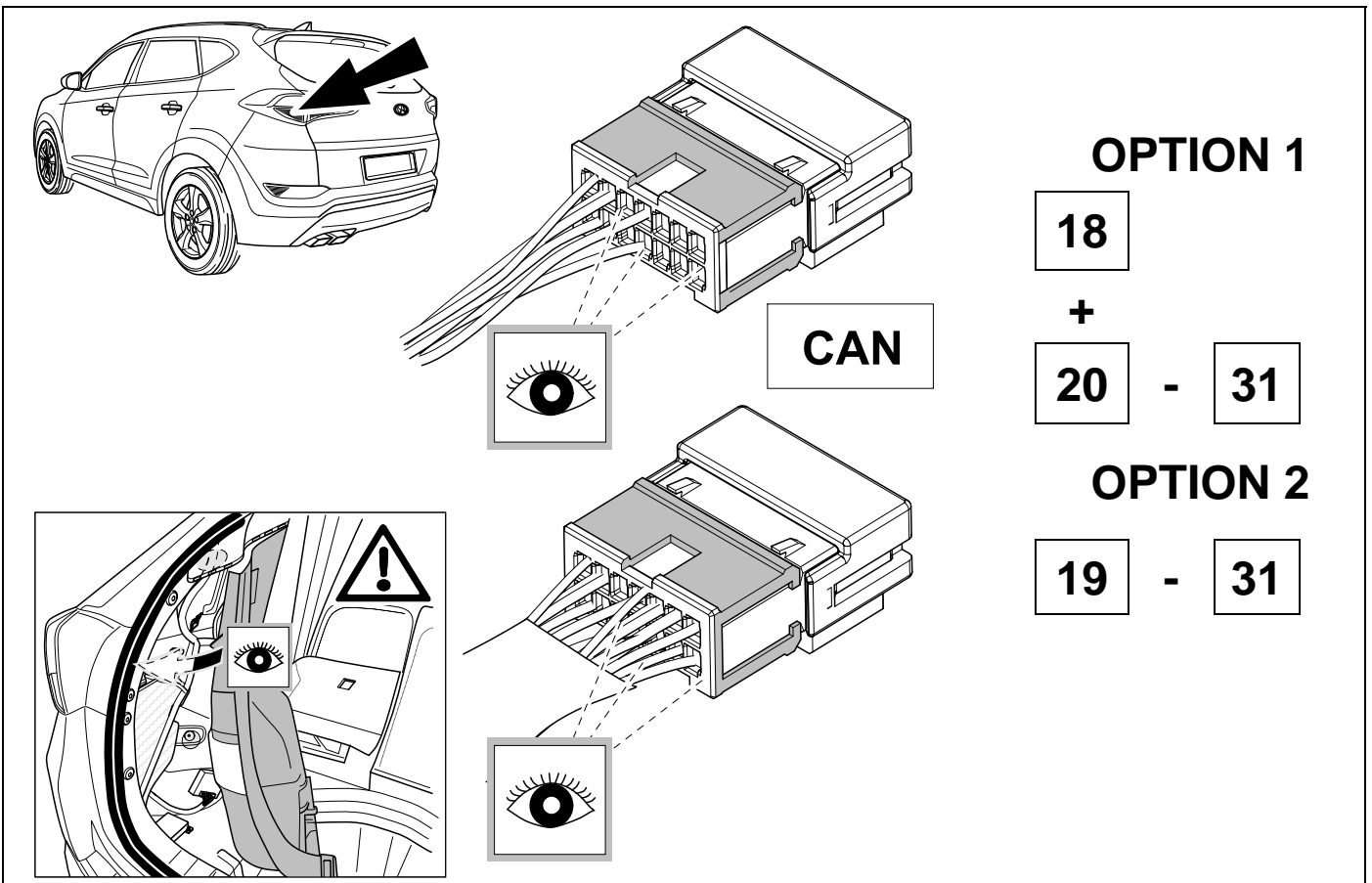


or  
gn



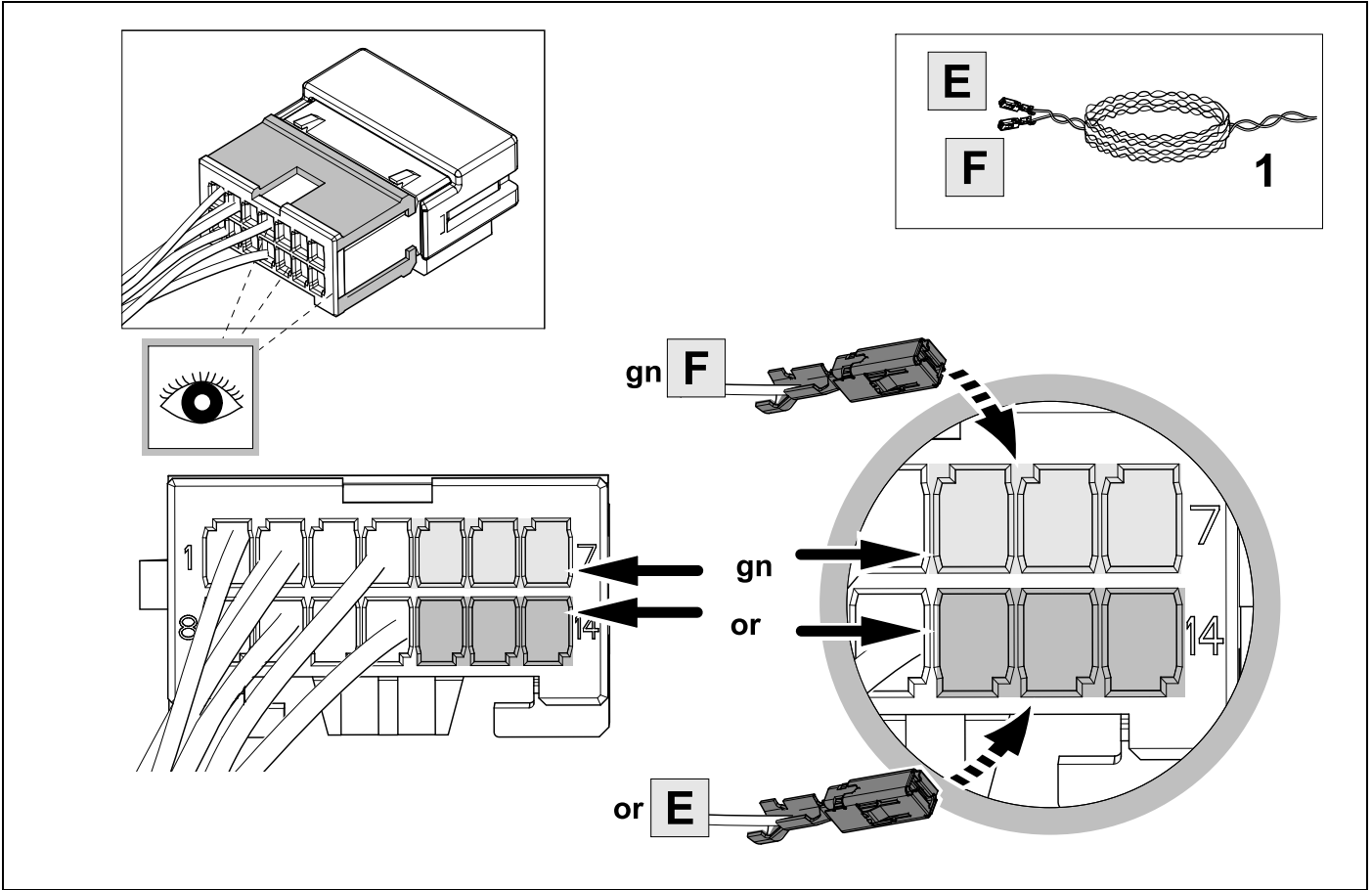


TUCSON



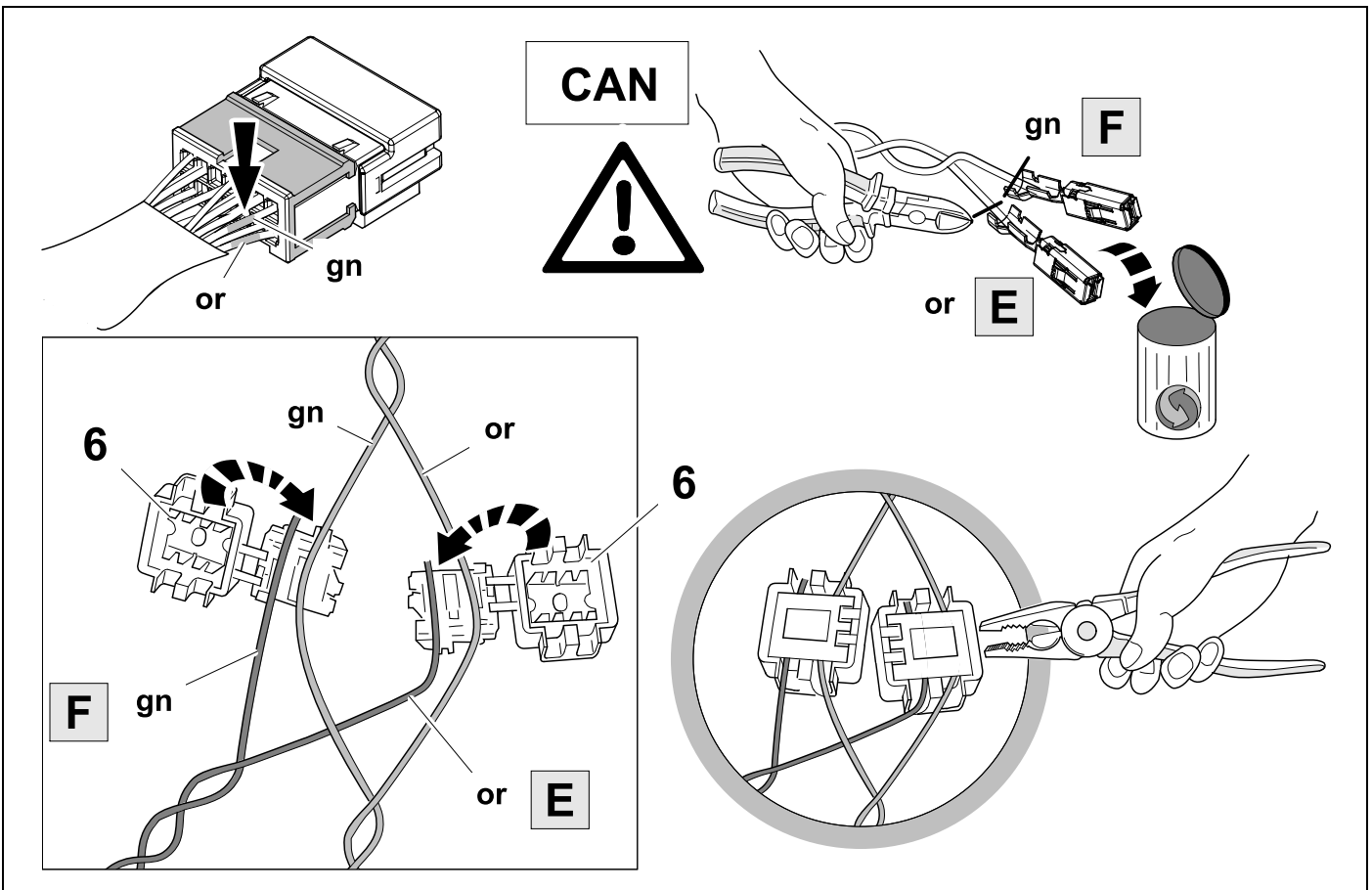
**18 OPTION 1**

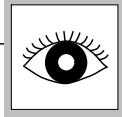
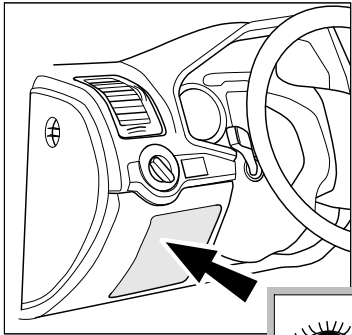
**TUCSON**



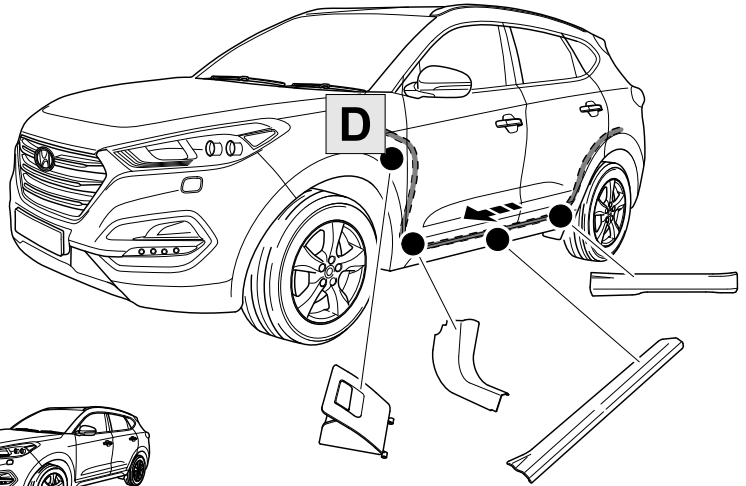
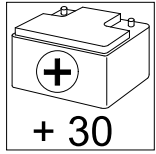
**19 OPTION 2**

**TUCSON**

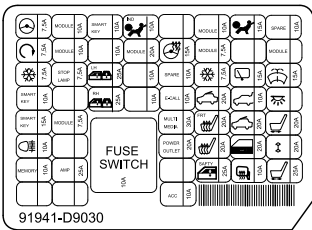




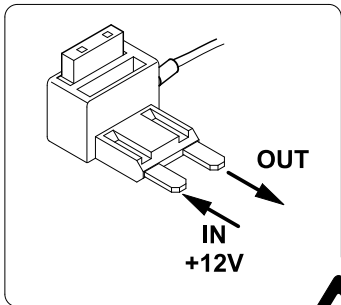
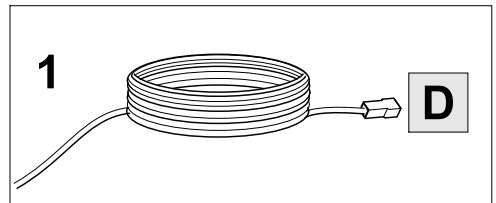
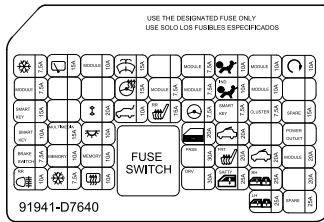
Hot all times!



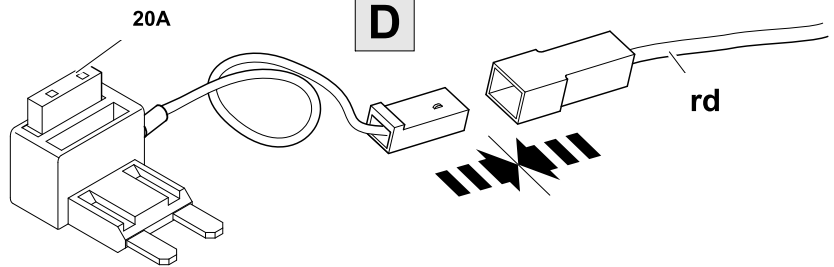
**SPORTAGE**



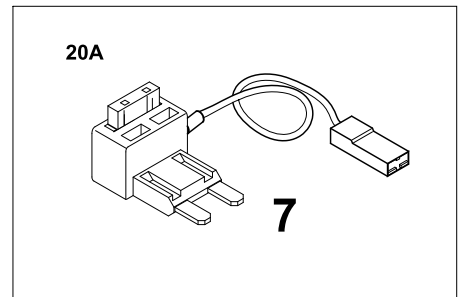
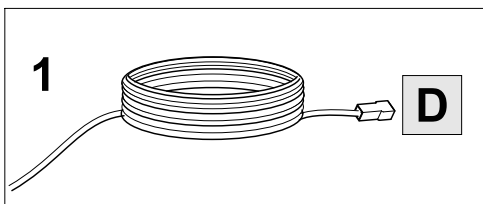
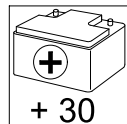
**TUCSON**



7



Hot all times!

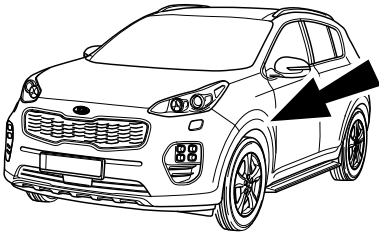


22

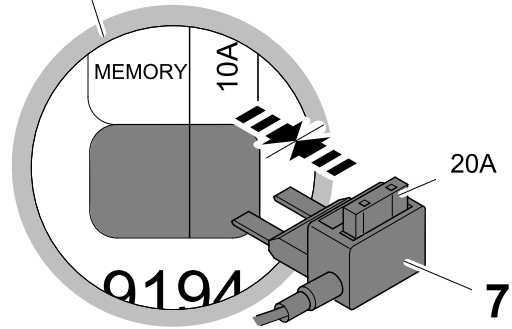
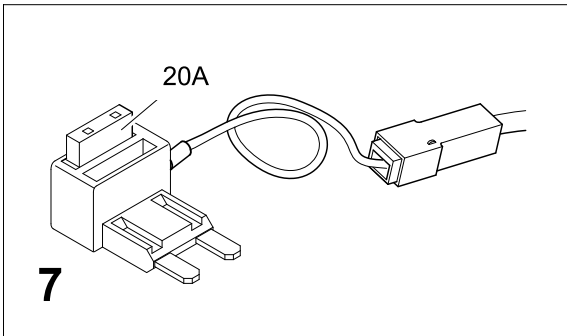
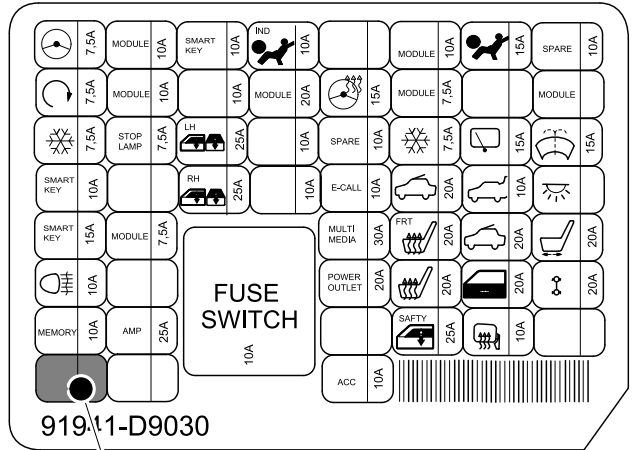
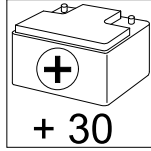


30

SPORTAGE 01/16 >> 09/18



Hot all times!

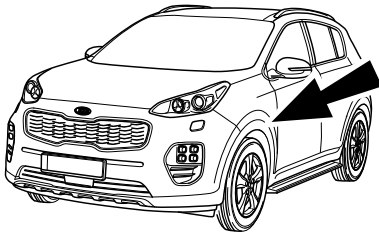


23

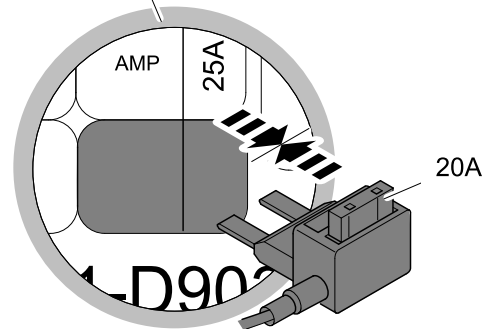
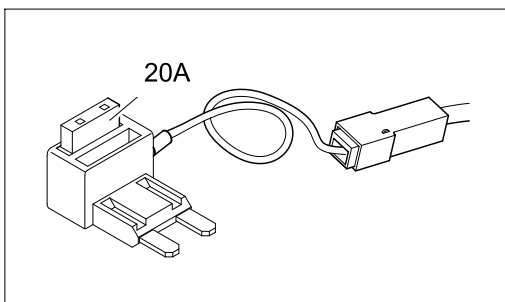
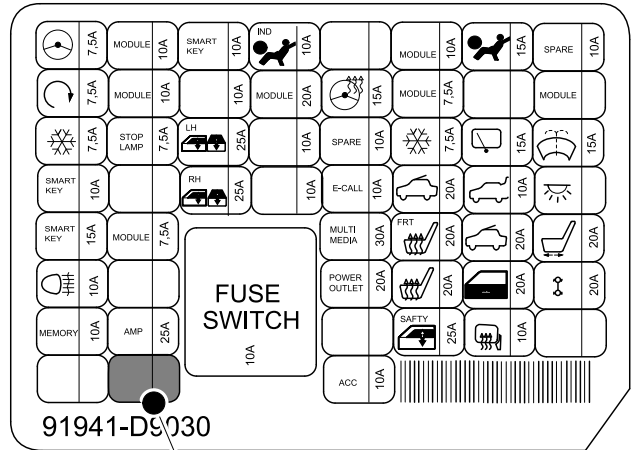
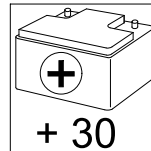


30

SPORTAGE 10/18 >>



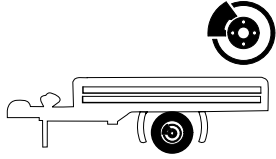
Hot all times!



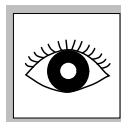
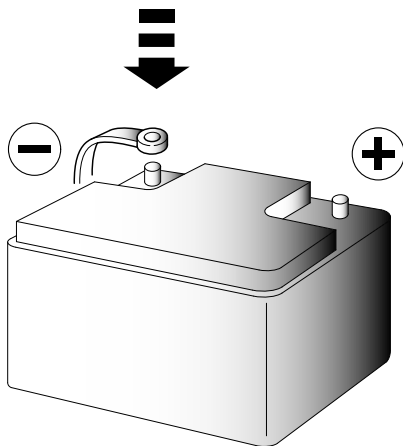
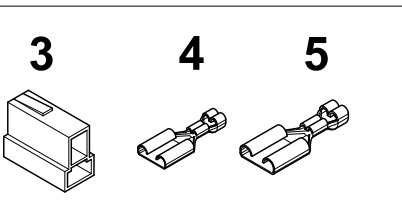
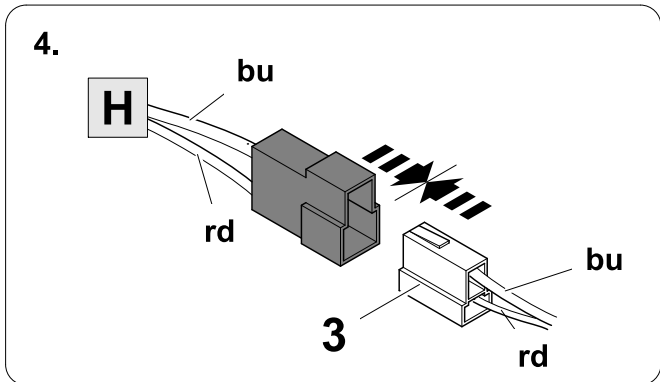
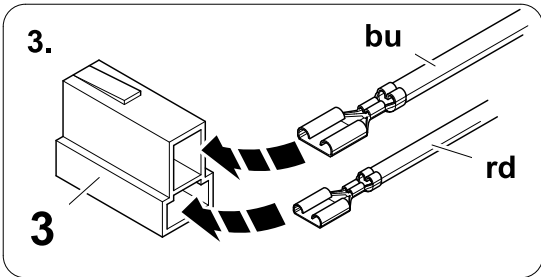
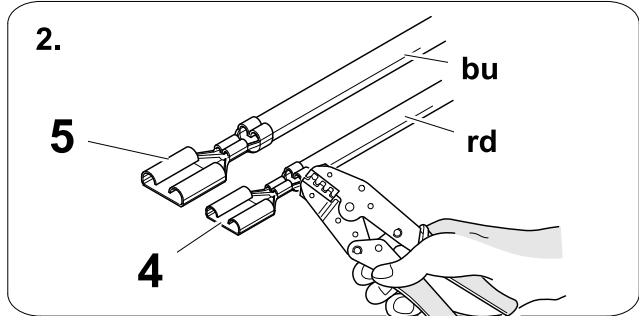
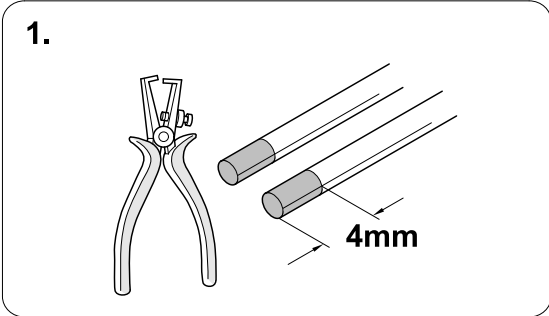
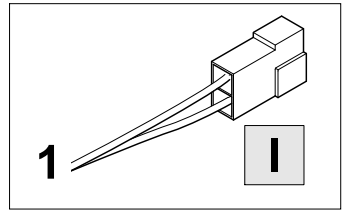




**BRAKE  
CONTROLLER  
PREPARED**



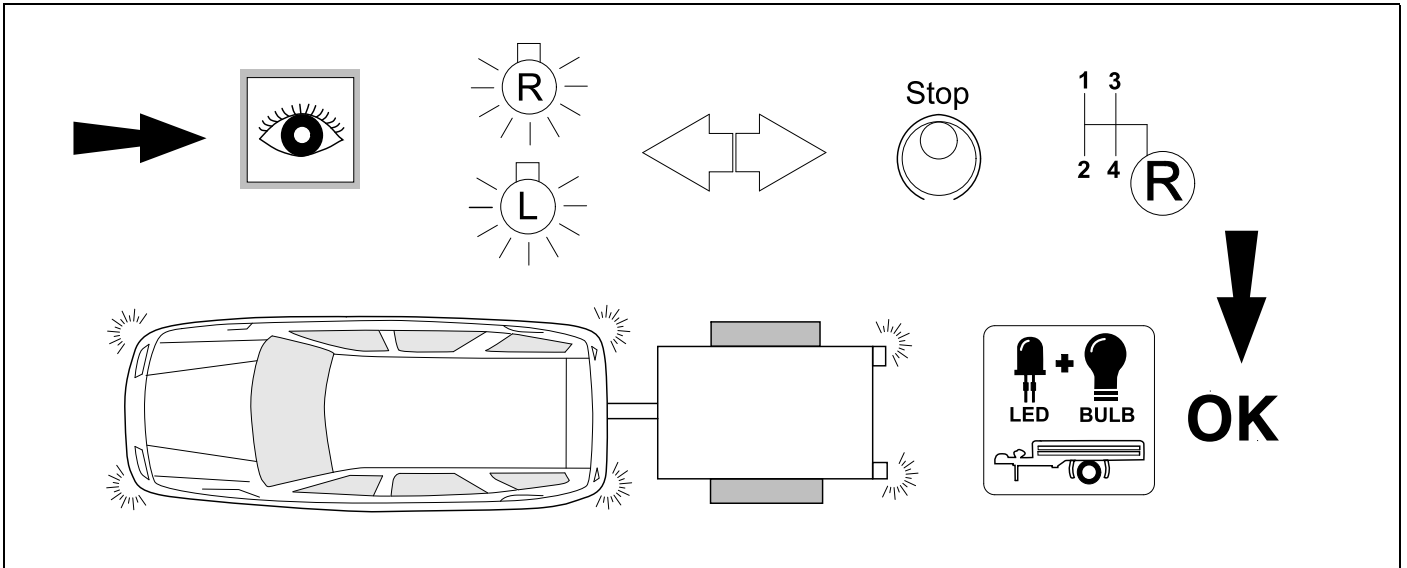
### Trailer Brake Preparation





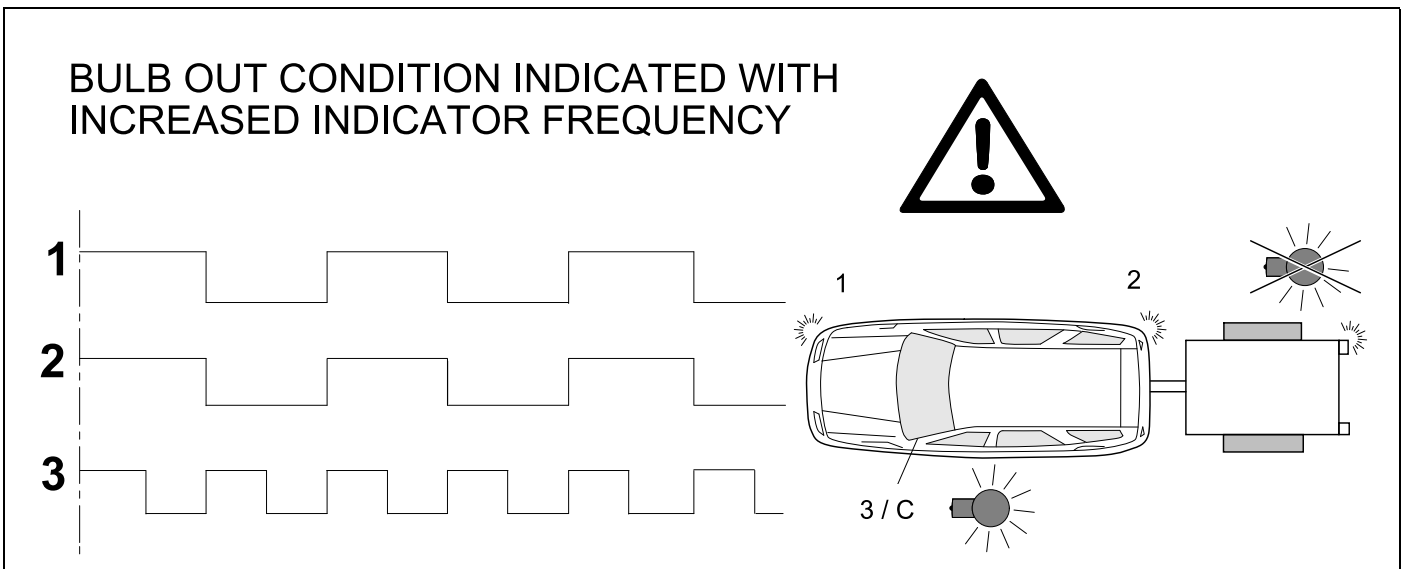
28

# CHECK ALL LIGHTING FUNCTIONS



29

# CHECK BULB OUT DETECTION



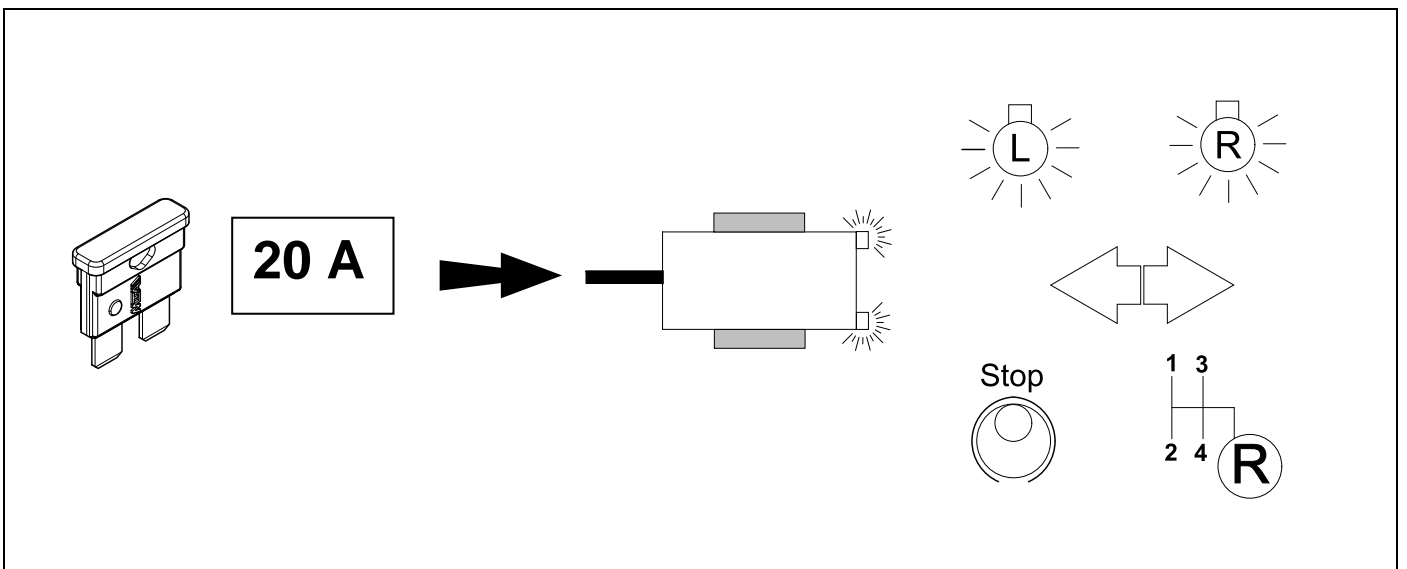
30



22

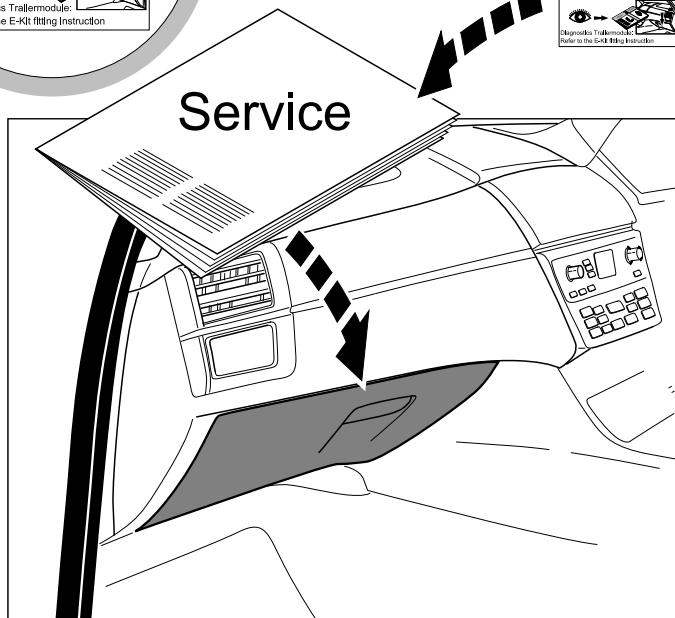
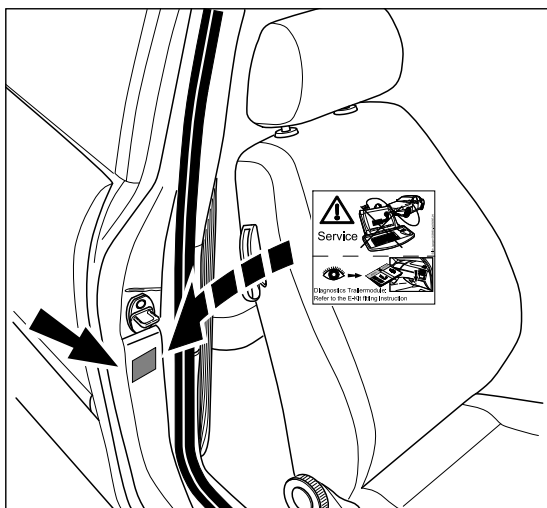
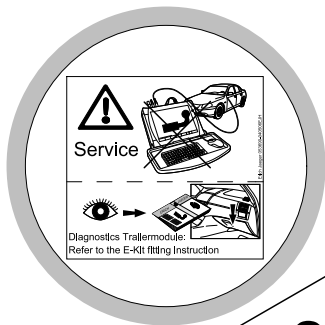
-

24

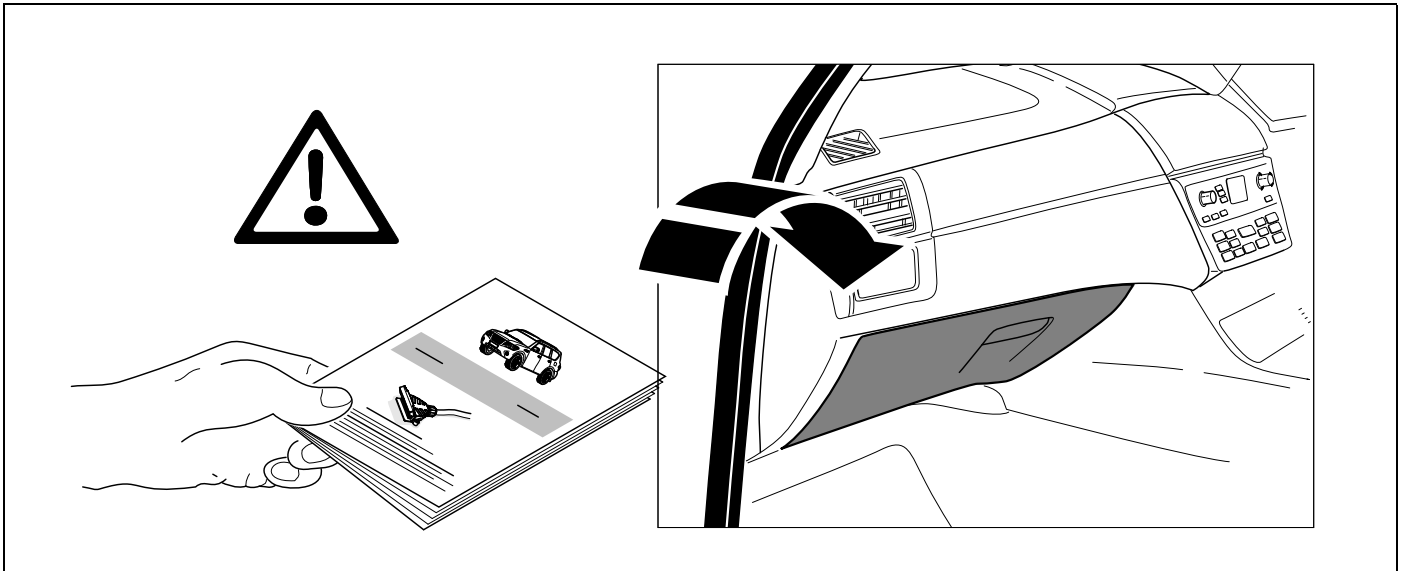




2x 9







Subject to change in terms of construction, equipment and colour, and may contain errors.  
The information and illustrations are non-binding.

Scan this for our full E-Kit catalogue

