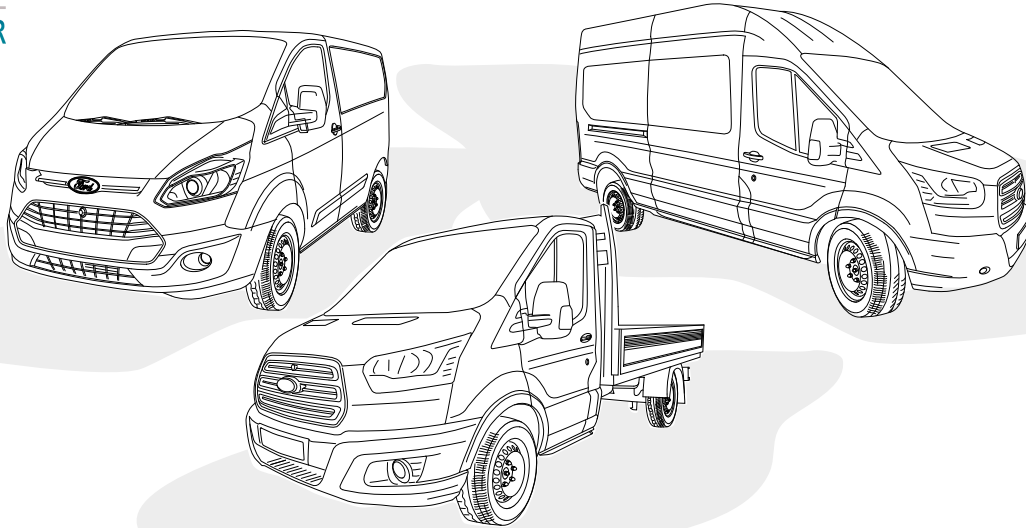




ERICH JAEGER

Installation instructions

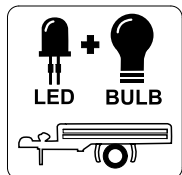
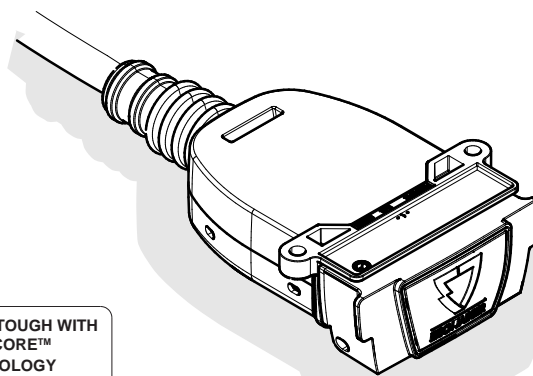


750074EJ

FORD Tourneo	06/16>>
FORD Transit Custom	06/16 >>
FORD Transit Van	06/16 >>
FORD Transit Chassis Cab	06/16 >>



SCAN FOR LATEST INSTRUCTIONS



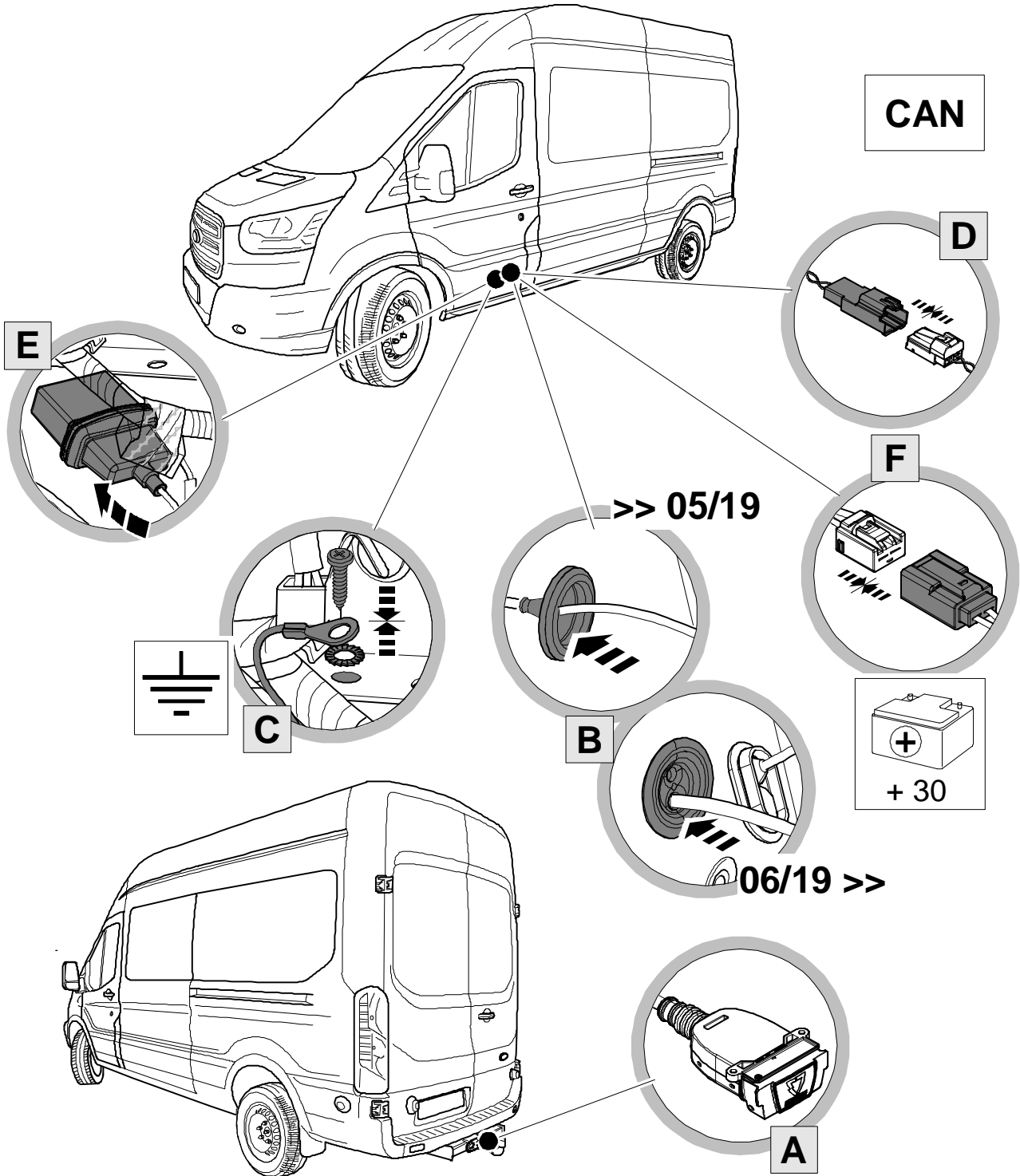
Reference:

The following information must be reviewed before beginning the assembly:

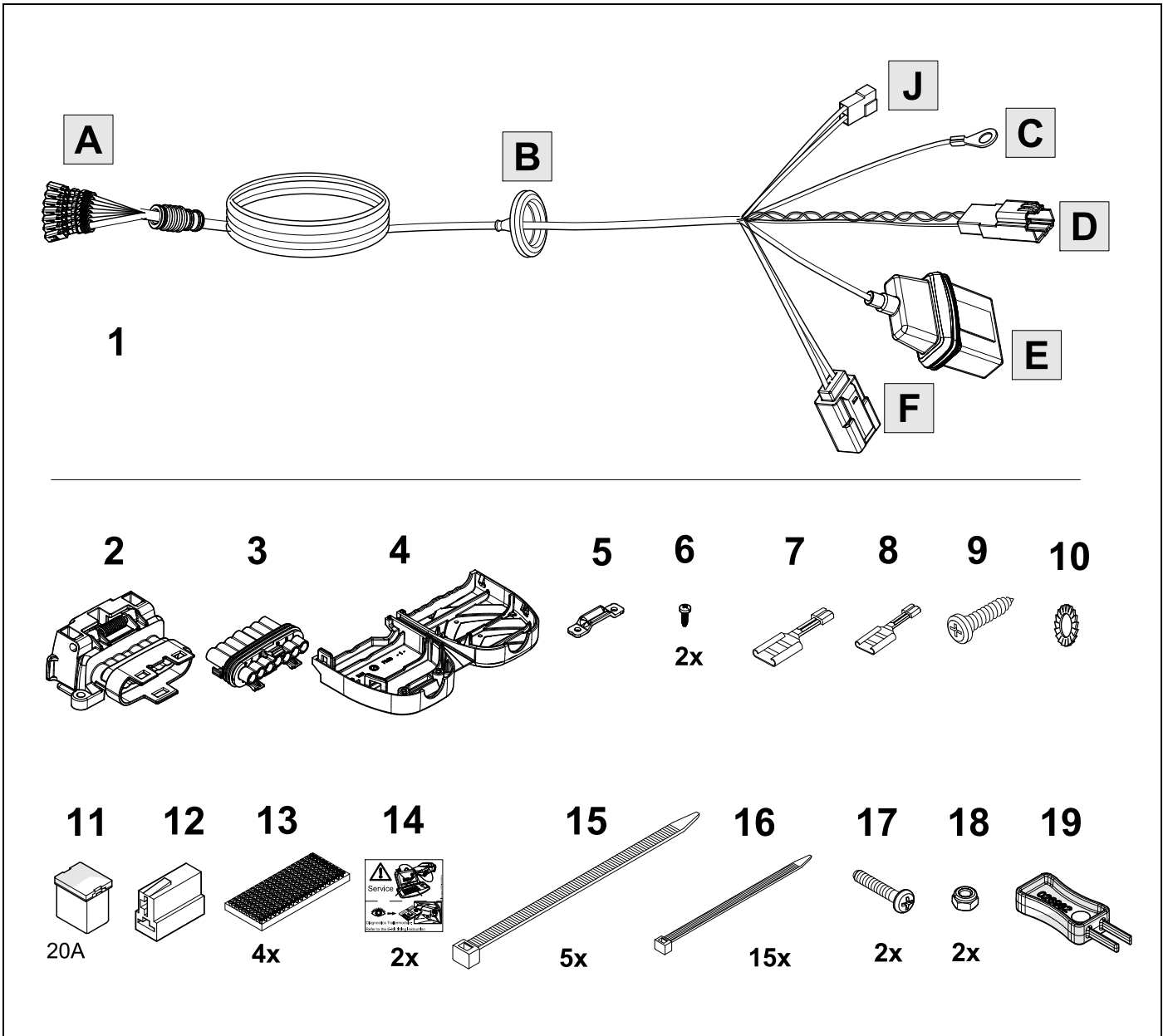
The installation instructions are to be thoroughly read.

The installation should be carried out by qualified personnel with the relevant technical knowledge. The vehicle manufacturers' current technical notices and information on retrofitting must be followed. The removal and replacement instructions found in the current repair manuals must be followed.

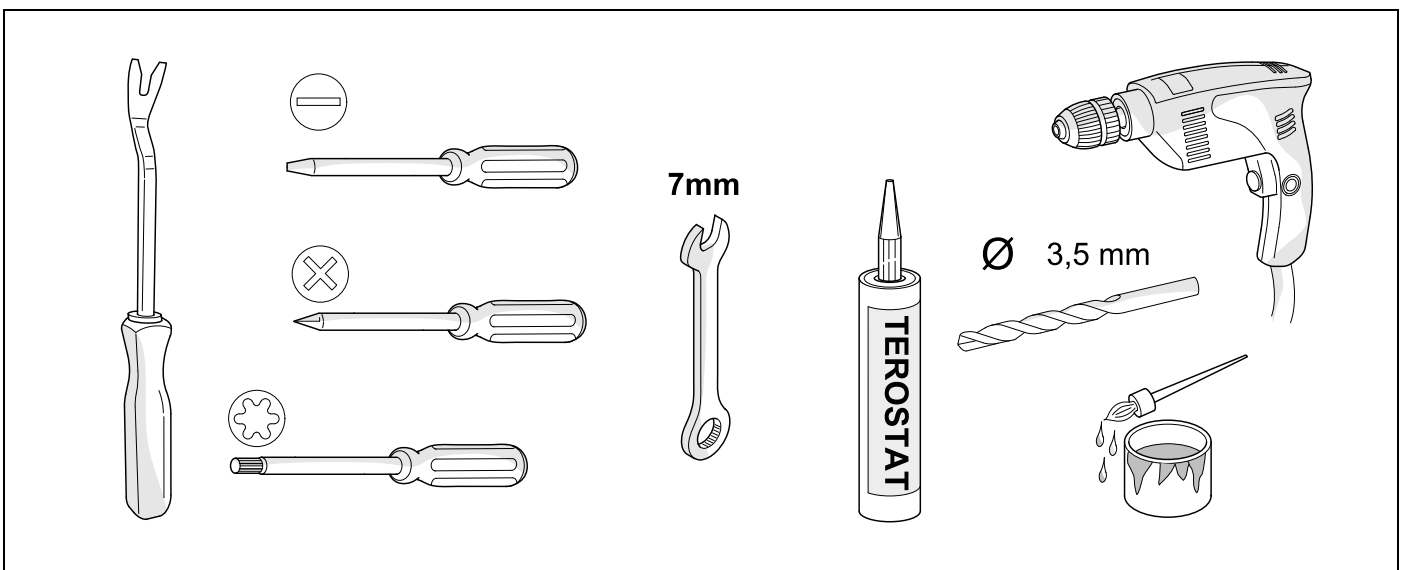
It must be ensured that the vehicle is technically suitable for the installation of a trailer hitch.



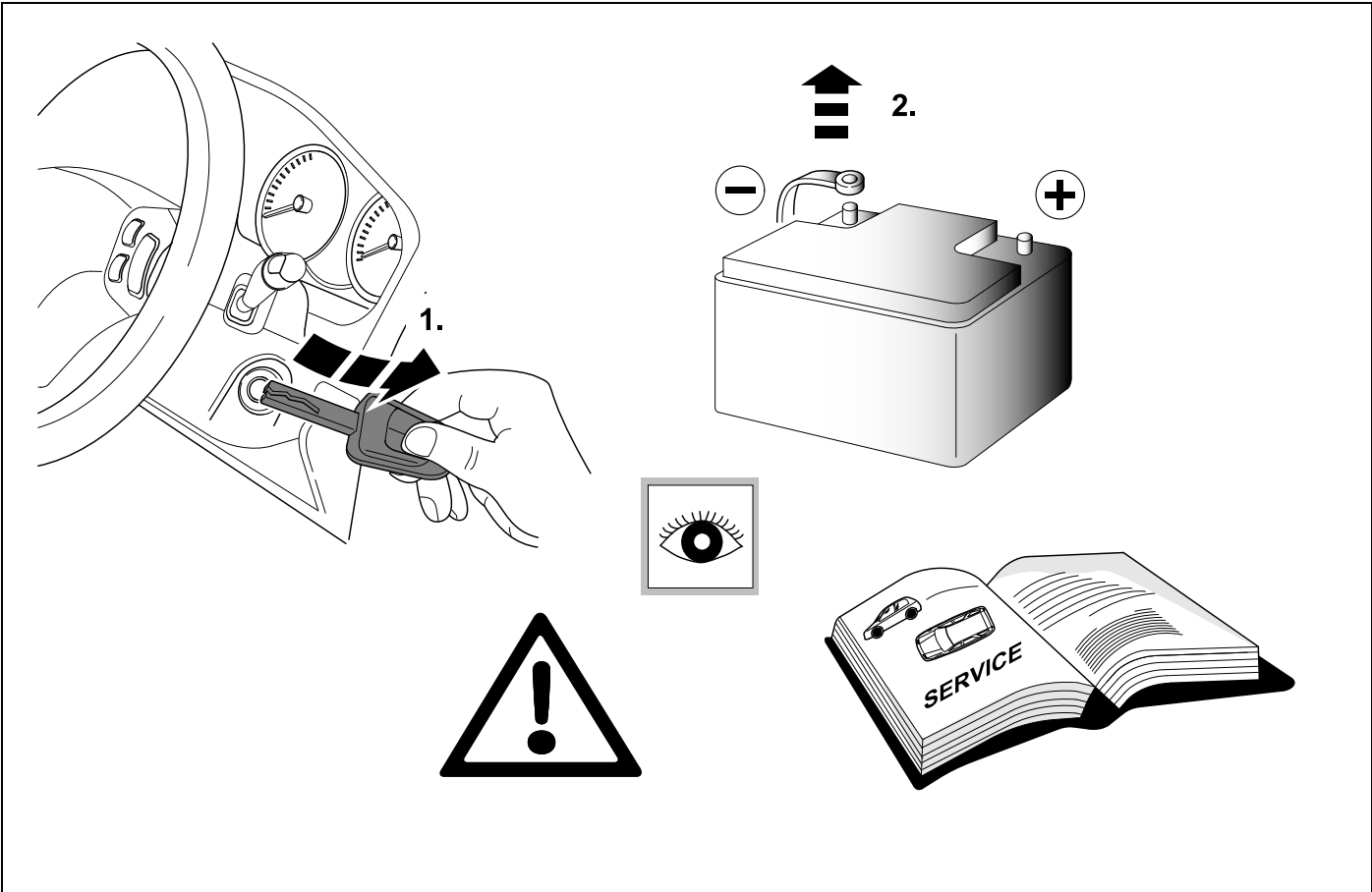
KIT

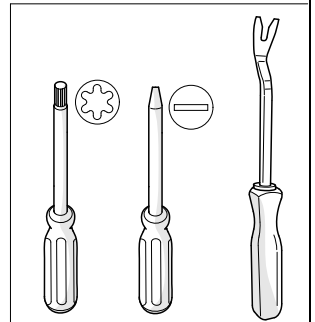
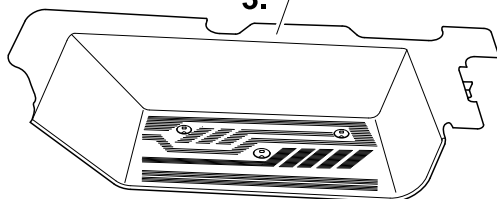
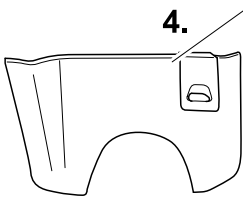
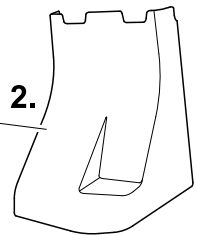
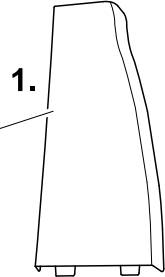
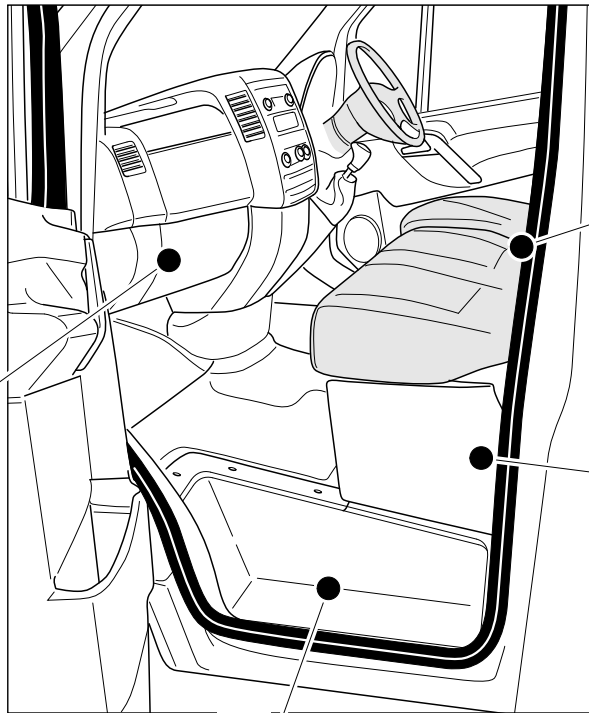
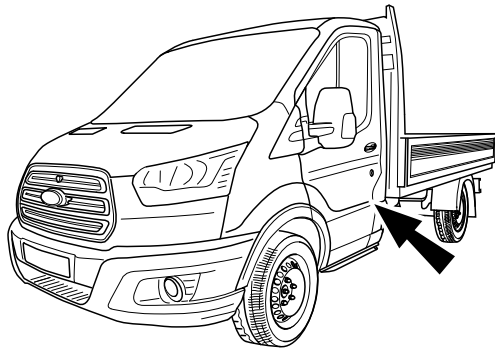
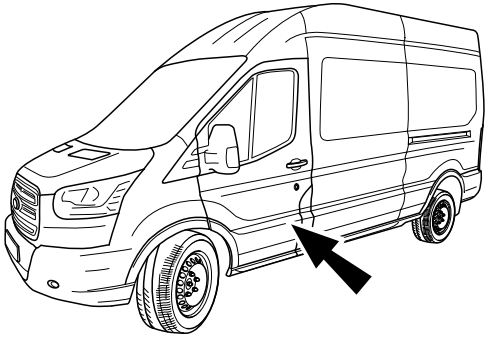
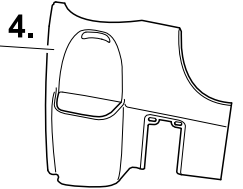
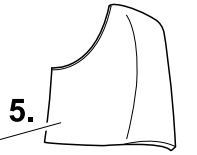
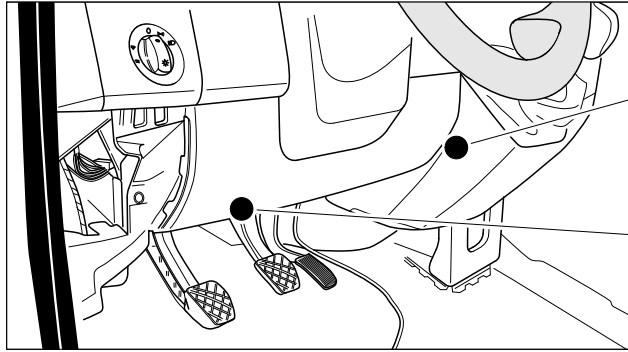
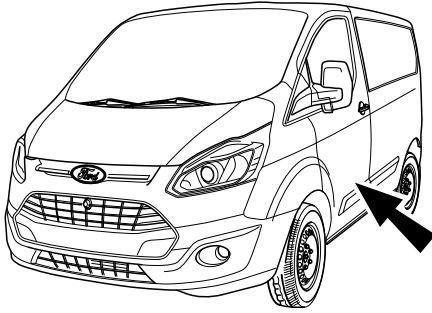


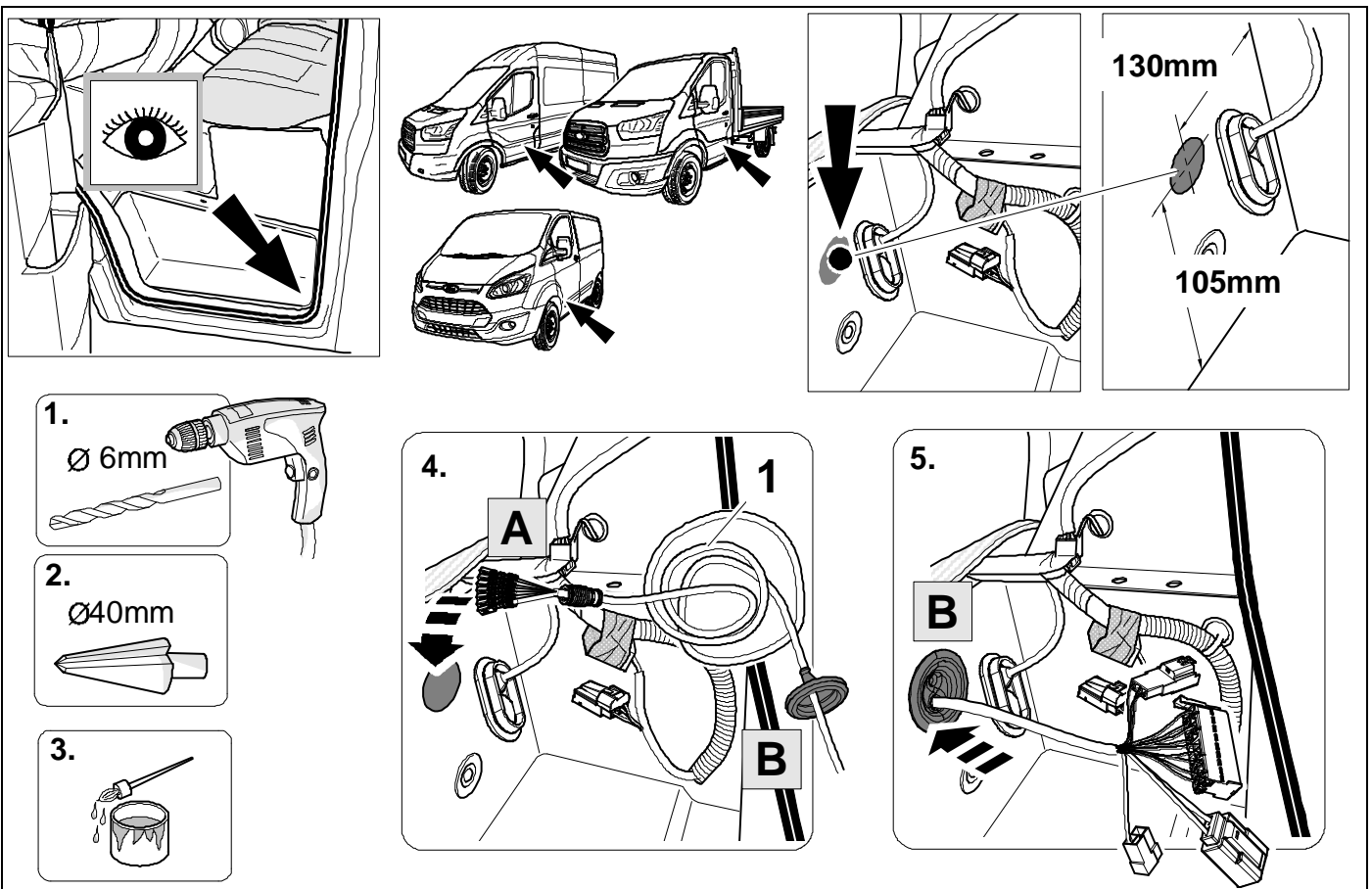
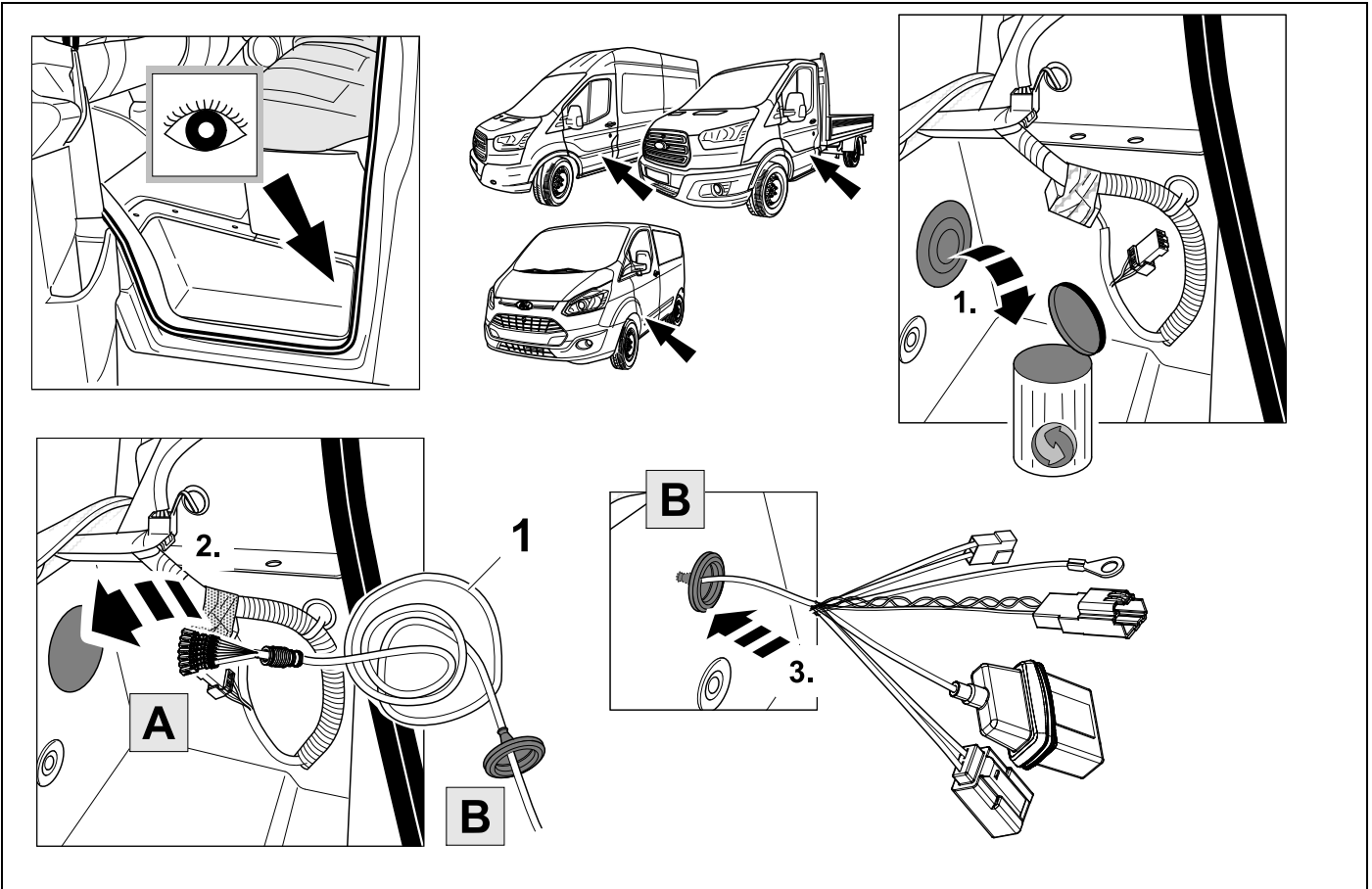
TOOLS

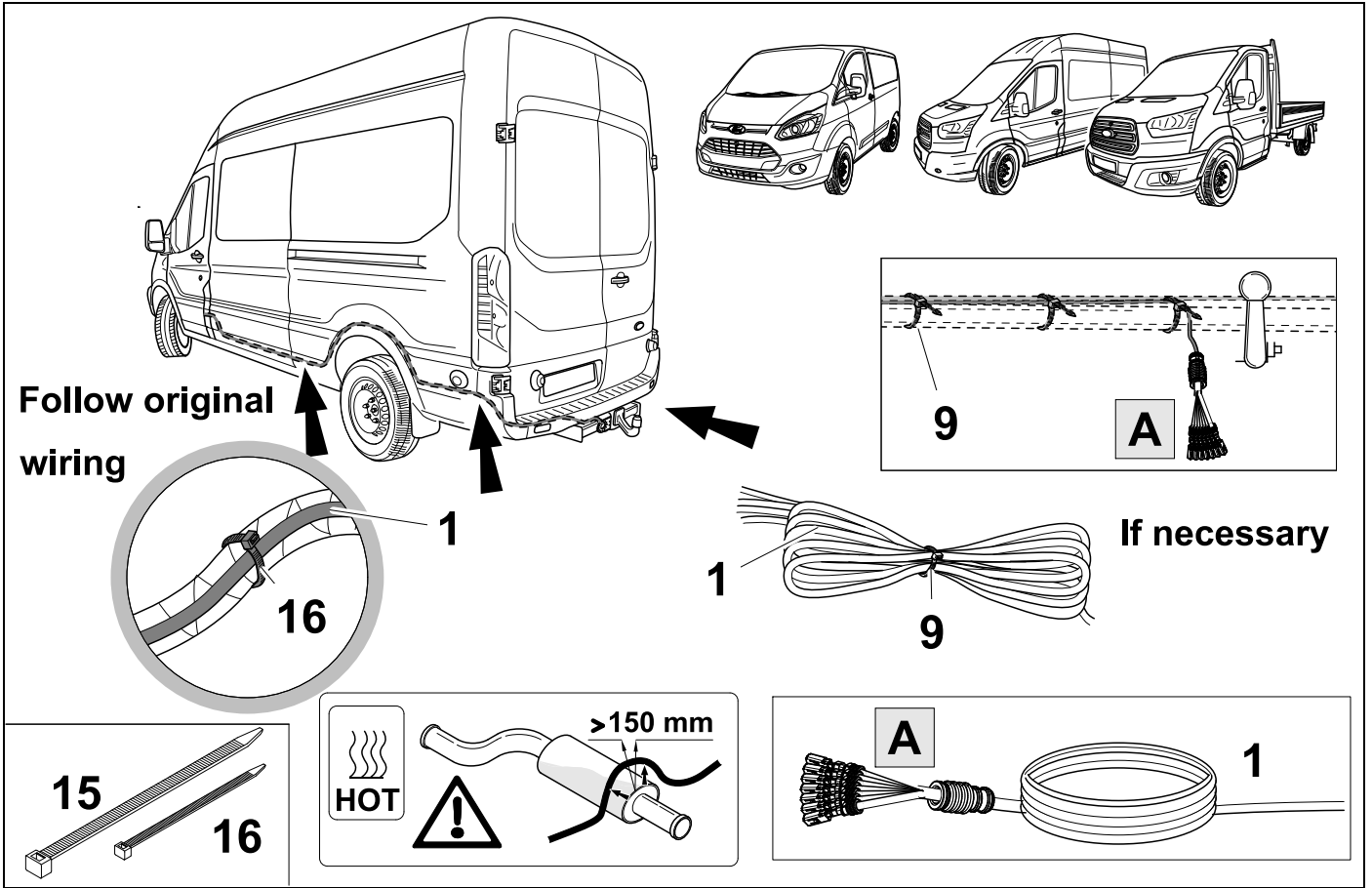


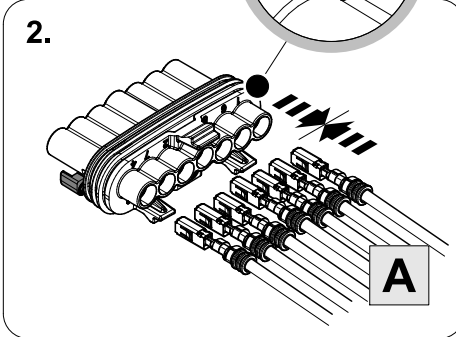
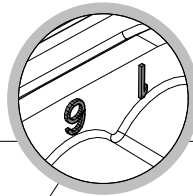
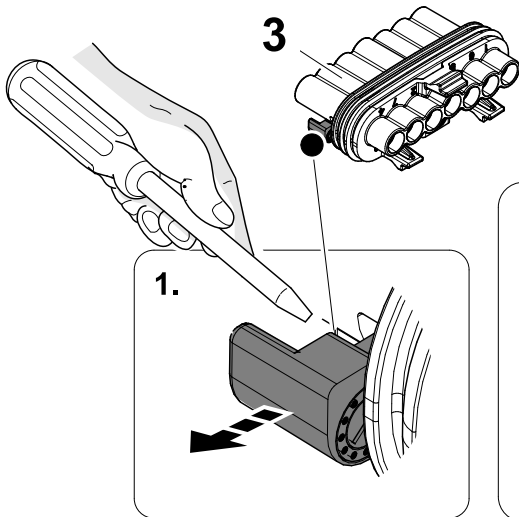
1



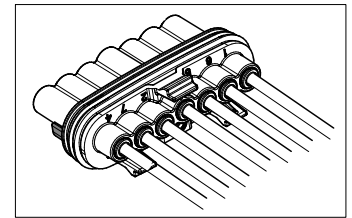
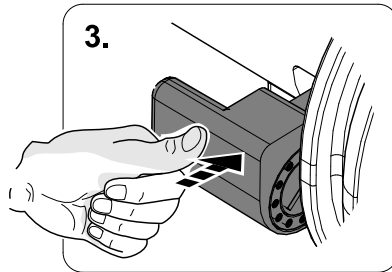
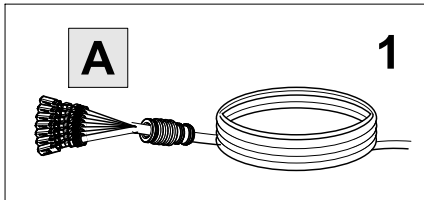




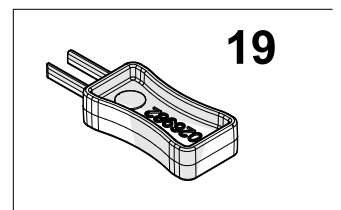
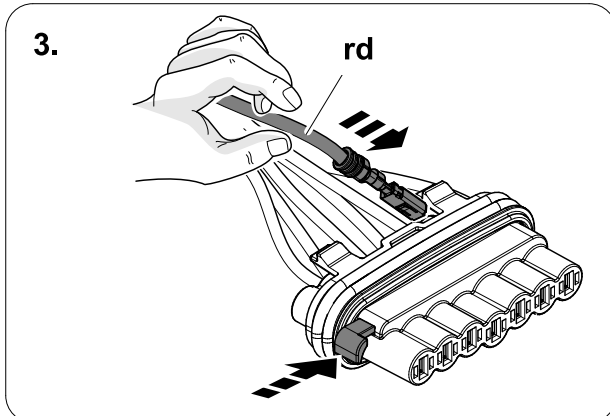
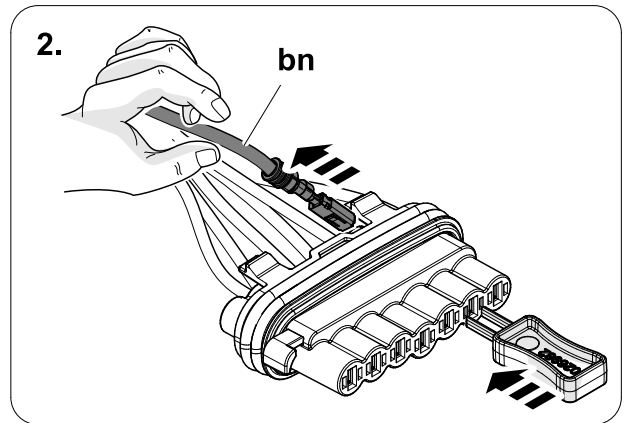
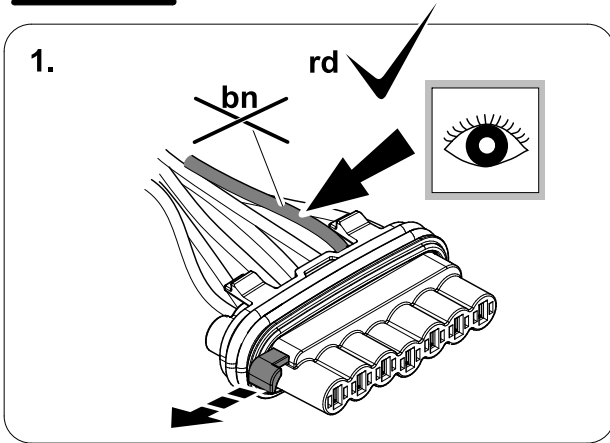




ye	1	
rd	6	
bu	5	
wh	3	
bk	2	
bn	7	
gn	4	

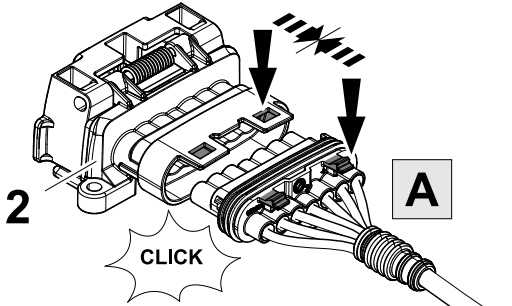


In case of wrong pin insert:

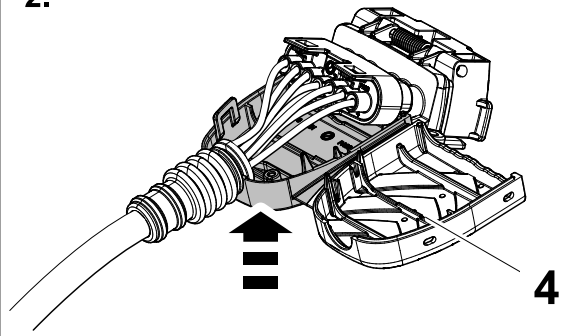




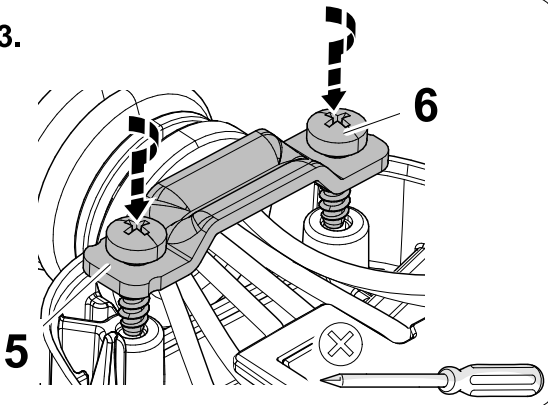
1.



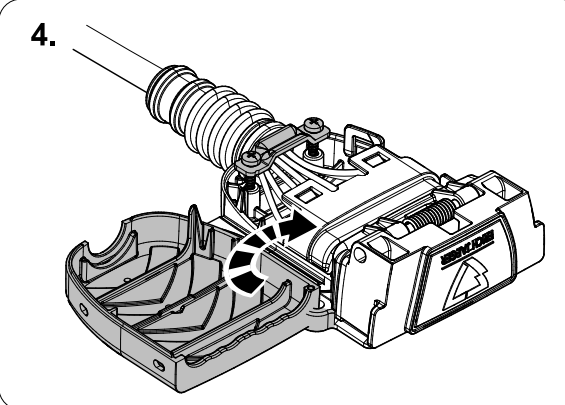
2.



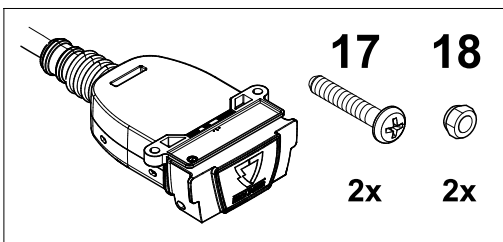
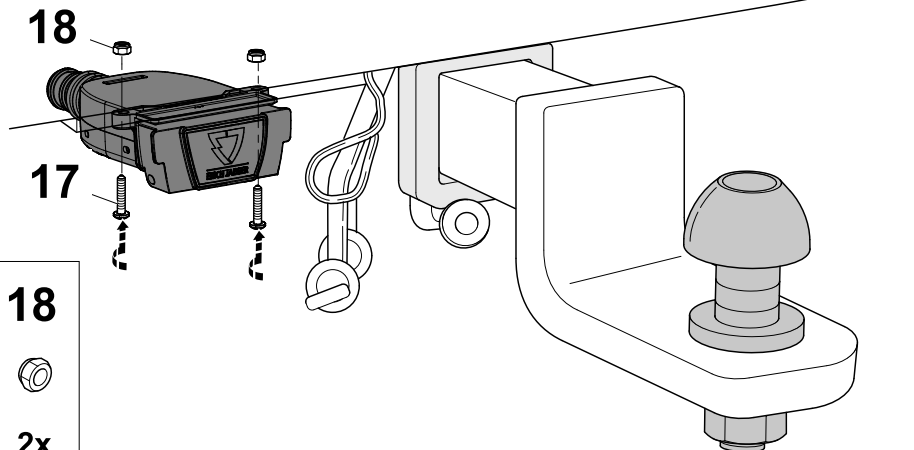
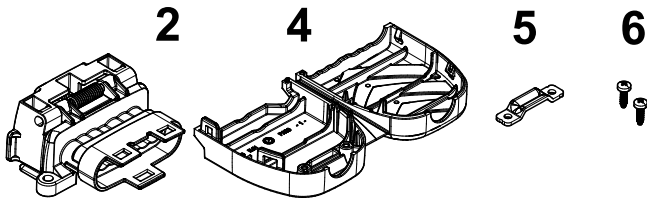
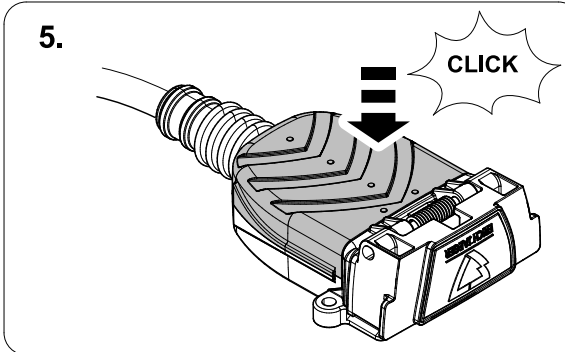
3.



4.



5.



9

👁️ ⇒ 10

1	ye	←
2	bk	1 3 2 4 (R)
3	wh	⏏
4	gn	→
5	bu	🔑
6	rd	Stop
7	bn	💡

10 bk wh gy gn rd bu ye bn pu or no

(GB)	black	white	grey	green	red	blue	yellow	brown	purple	orange	not occupied
------	-------	-------	------	-------	-----	------	--------	-------	--------	--------	--------------

11

👁️ ⇒ 24

1. E

2. 13

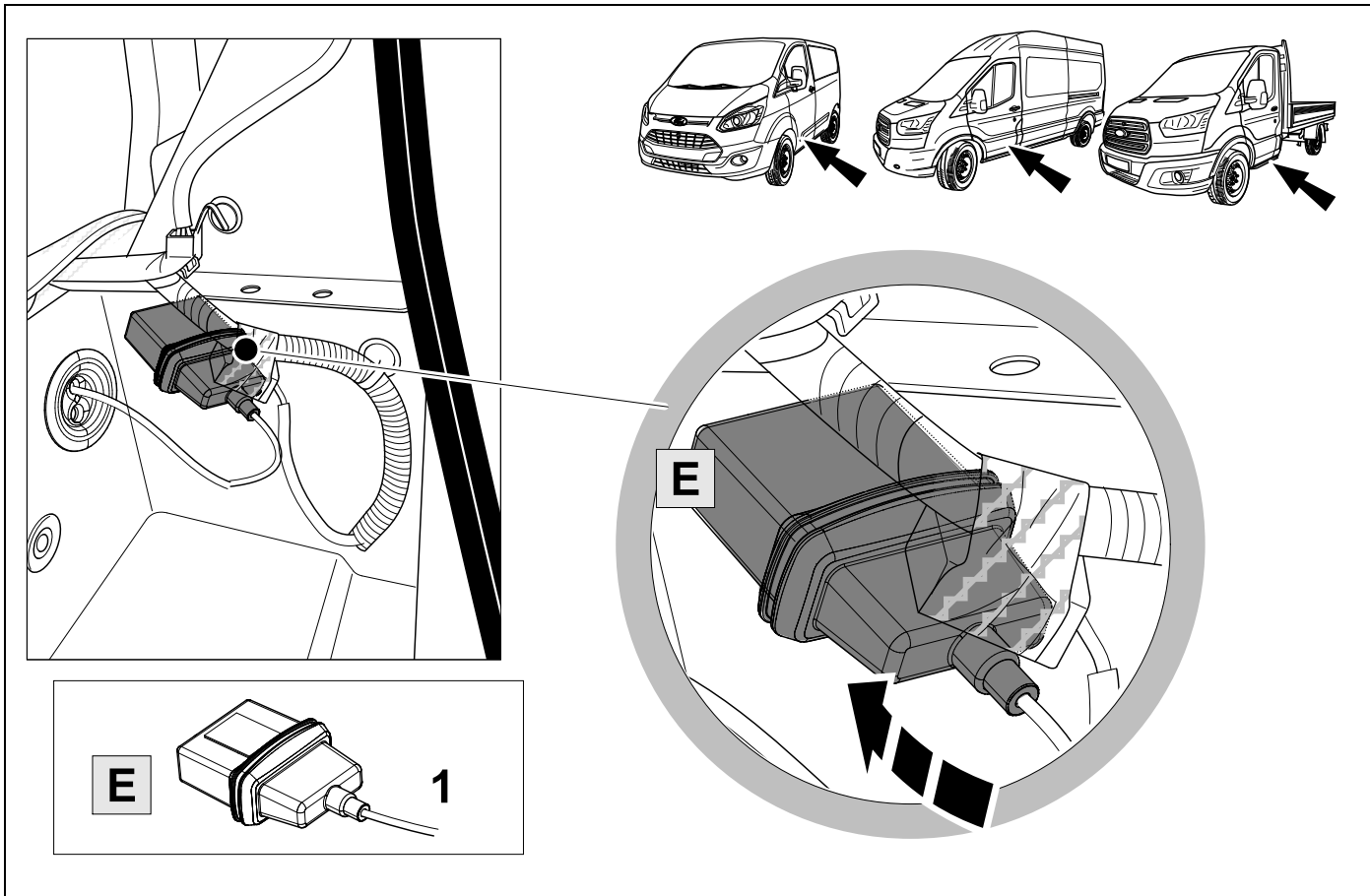
3. E

4. E

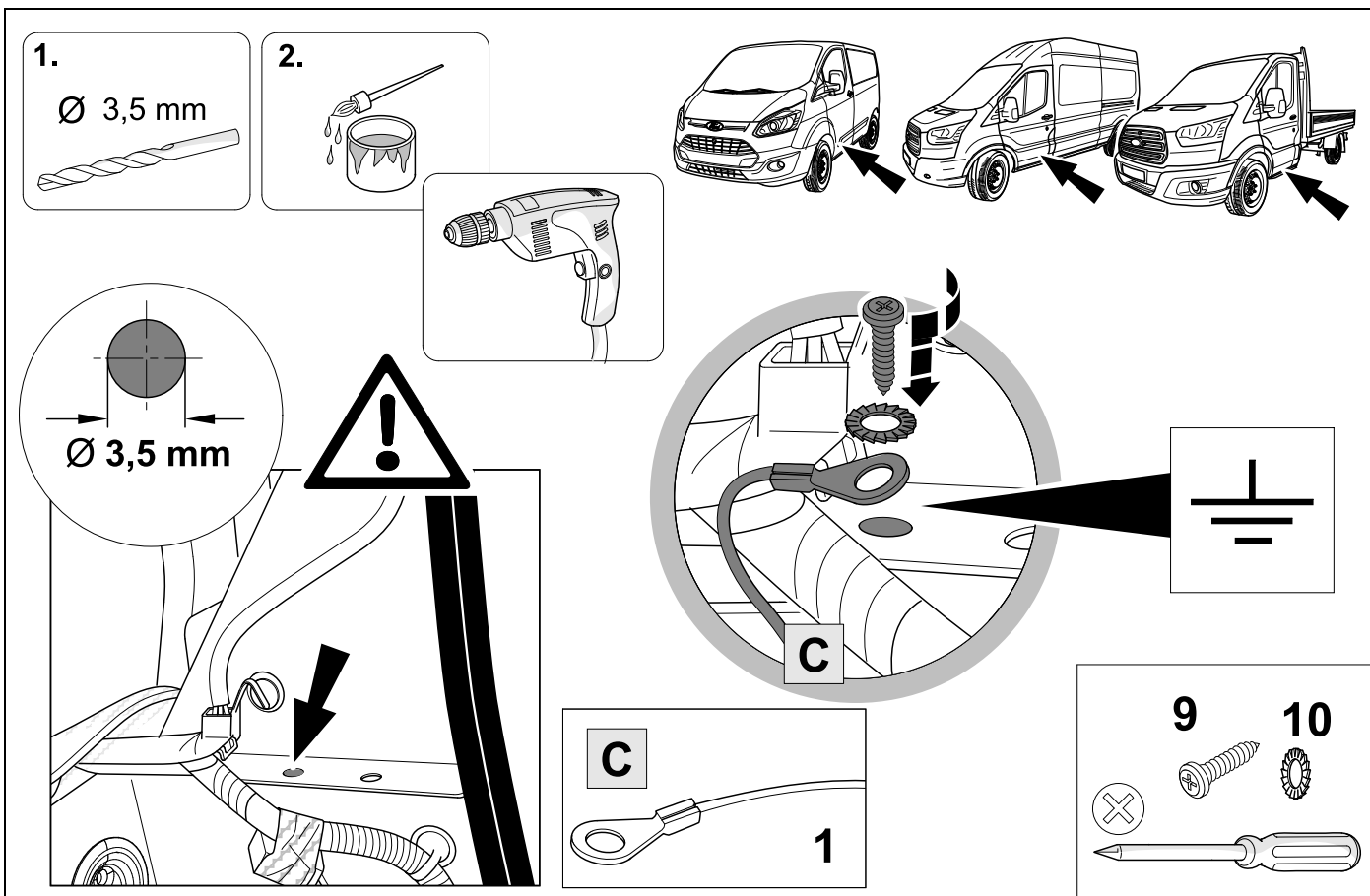
5. E

13
4x

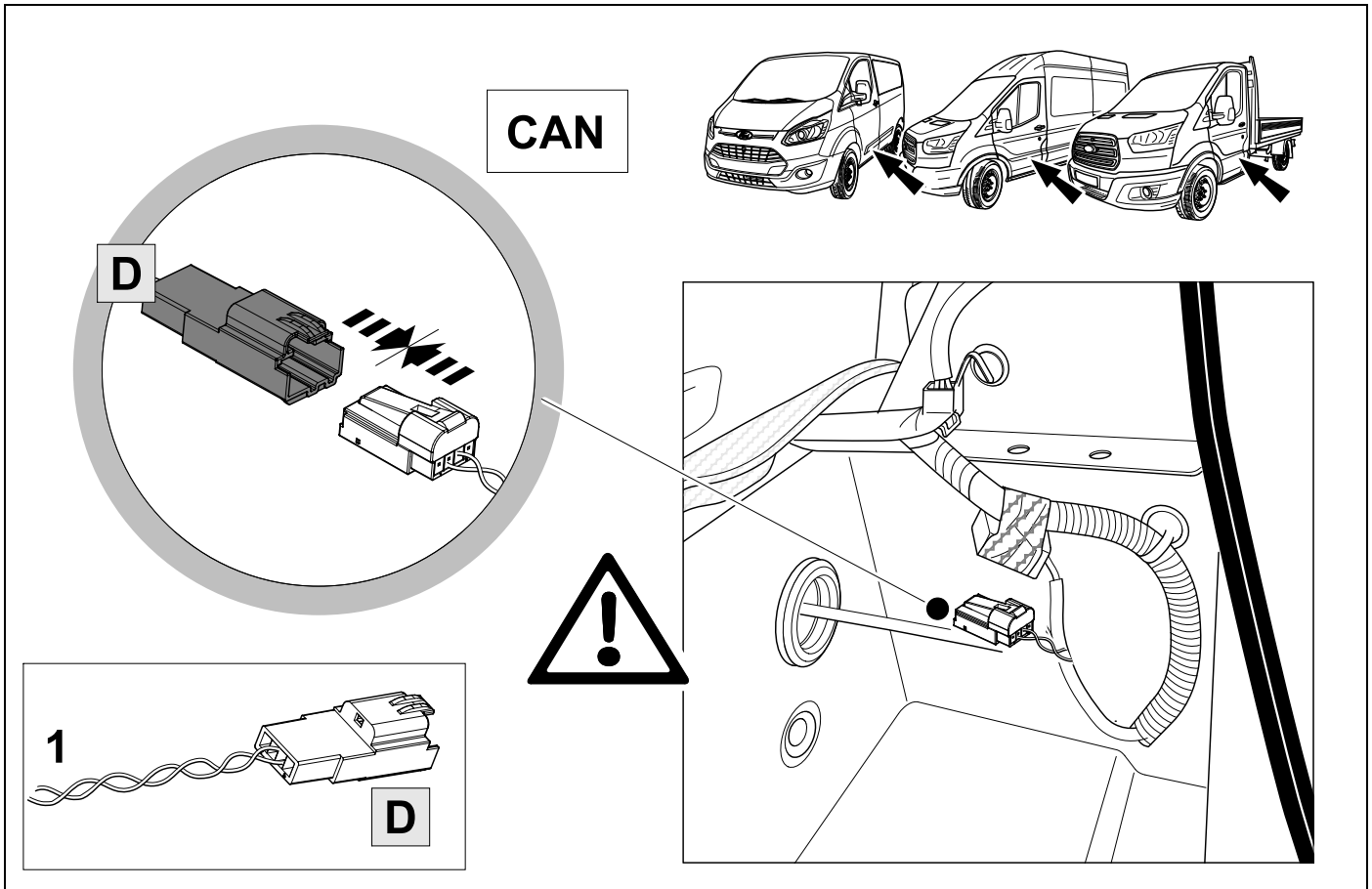
12



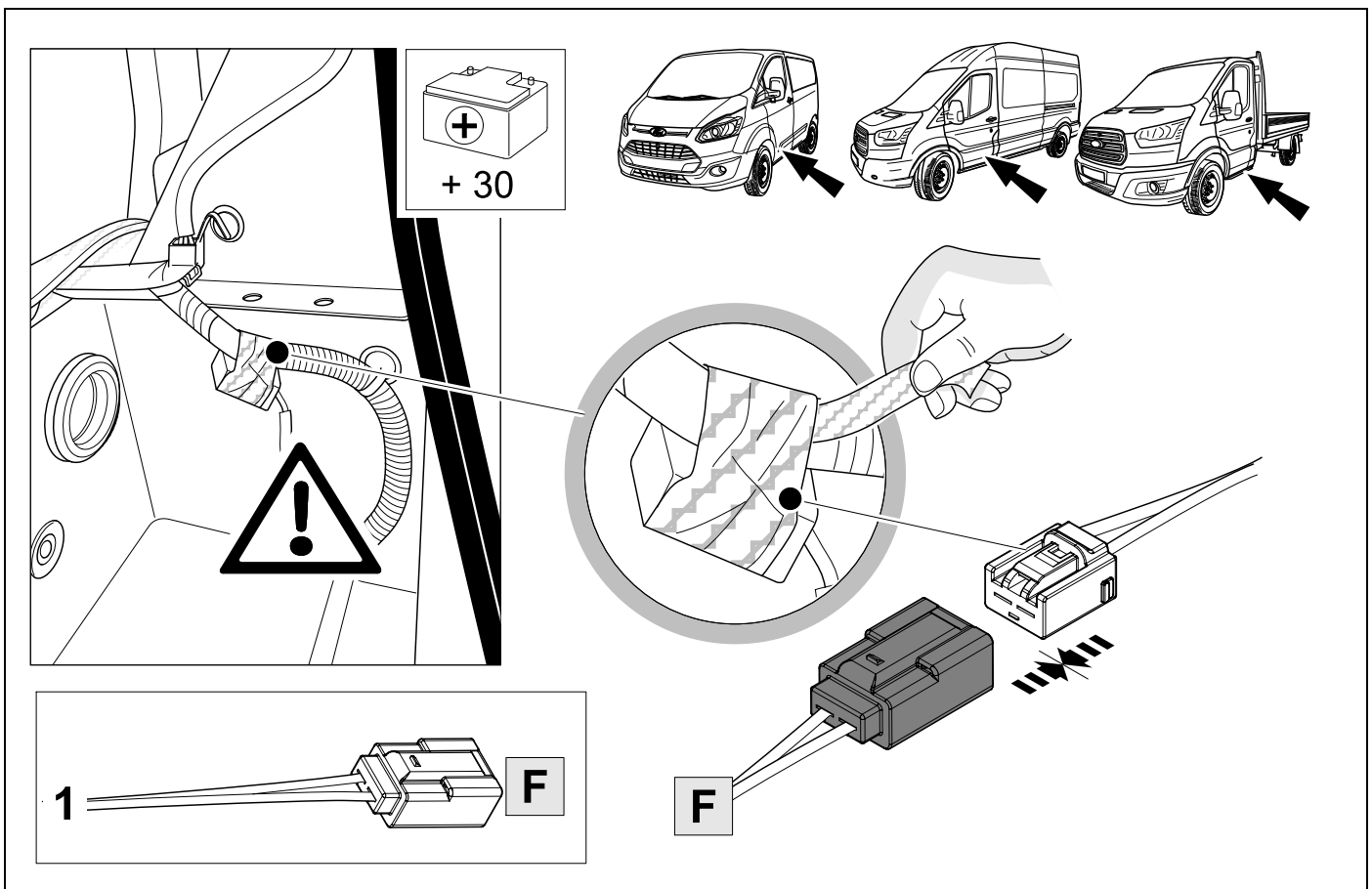
13



14



15



16



22

Diagram illustrating the replacement of fuse F5 (40A) in the fuse box. The diagram shows the fuse box layout with fuses labeled F1 through F66. Fuse F5 is highlighted in the layout. A warning triangle is present. A recycling bin icon is shown next to the 40A fuse.

1. 40A

2.

F6

F5

F4

F66 F52 F37 F29 F14
 F65 F51 F28 F13
 F64 F50 F36 F27 F12
 F63 F49 F35 F26 F11
 F62 F48 F34 F25 F10
 F61 F47 F33 F24 F9
 F46 F32 F23 F8
 F45 F22 F7
 F44 F33 F21 F6
 F43 F20 F5
 F42 F19 F4
 F41 F3
 F30 F15 F2
 F1

11 20A

11

17



22

Diagram illustrating the replacement of fuse F5 (40A) in the fuse box. The diagram shows the fuse box layout with fuses labeled F1 through F66. Fuse F5 is highlighted in the layout. A warning triangle is present. A recycling bin icon is shown next to the 40A fuse.

1. 40A

2.

F6

F5

F4

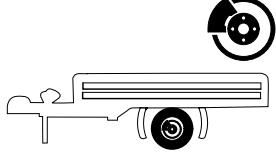
F66 F52 F37 F29 F14
 F65 F51 F28 F13
 F64 F50 F36 F27 F12
 F63 F49 F35 F26 F11
 F62 F48 F34 F25 F10
 F61 F47 F33 F24 F9
 F46 F32 F23 F8
 F45 F22 F7
 F44 F33 F21 F6
 F43 F20 F5
 F42 F19 F4
 F41 F3
 F30 F15 F2
 F1

11 20A

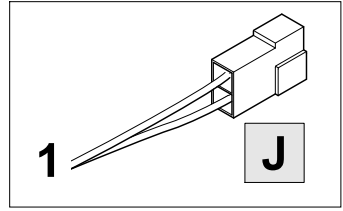
11



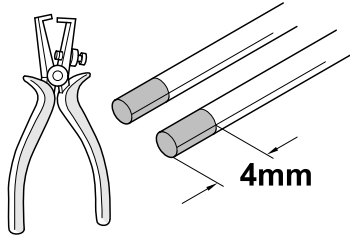
**BRAKE
CONTROLLER
PREPARED**



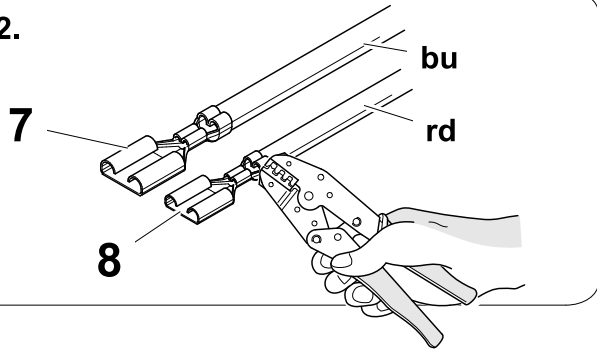
Trailer Brake Preparation



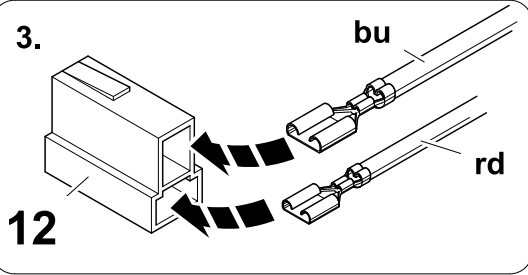
1.



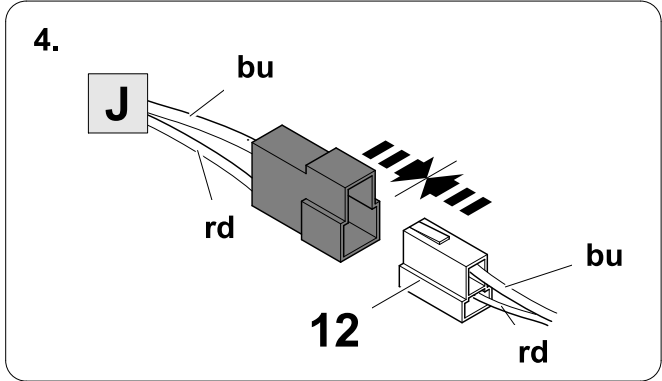
2.



3.



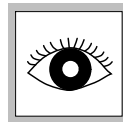
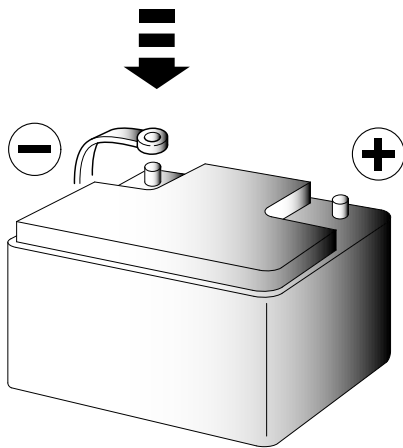
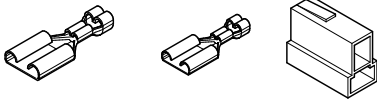
4.



7

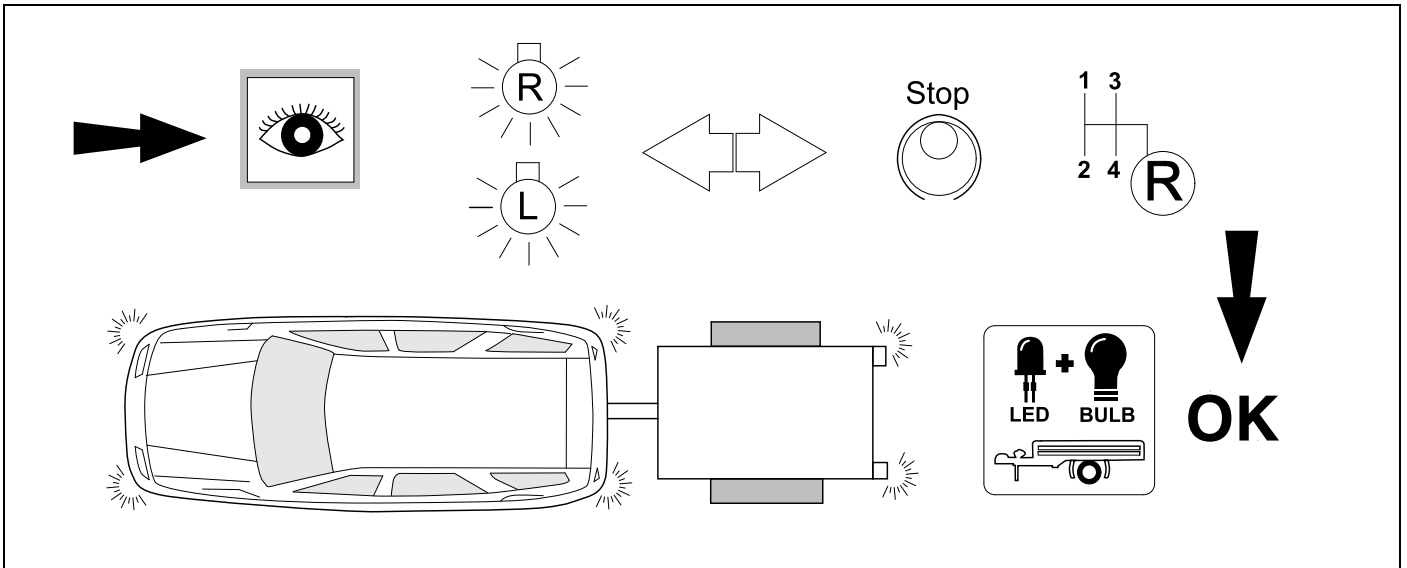
8

12



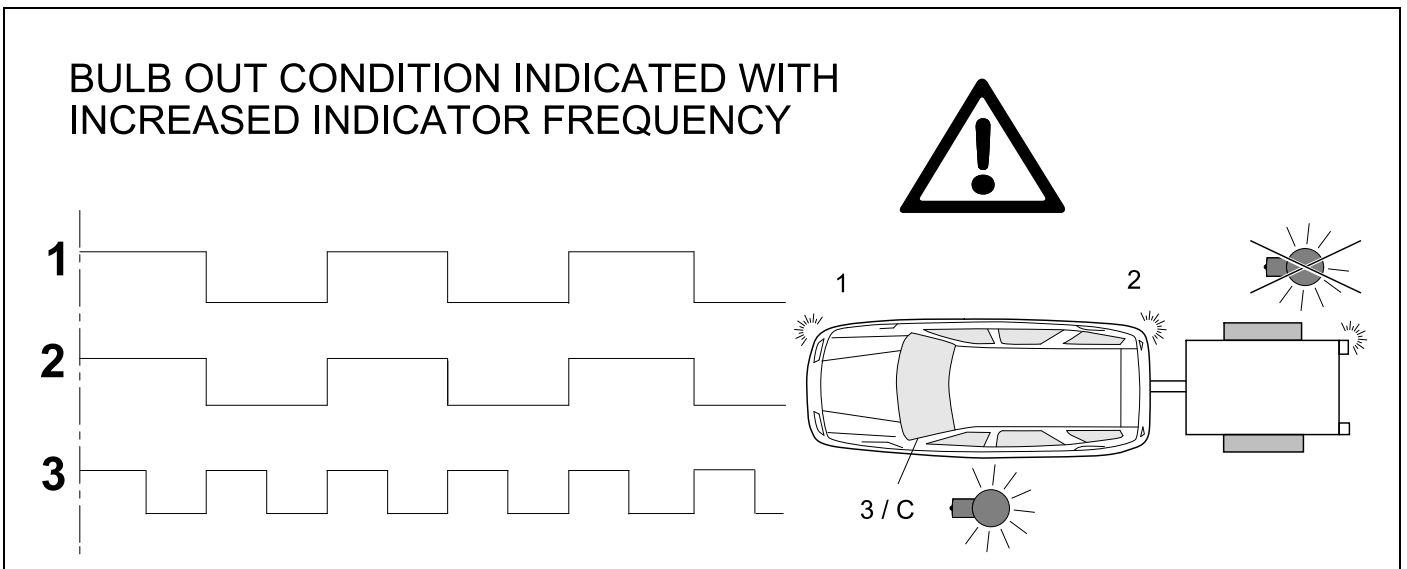
20

CHECK ALL LIGHTING FUNCTIONS



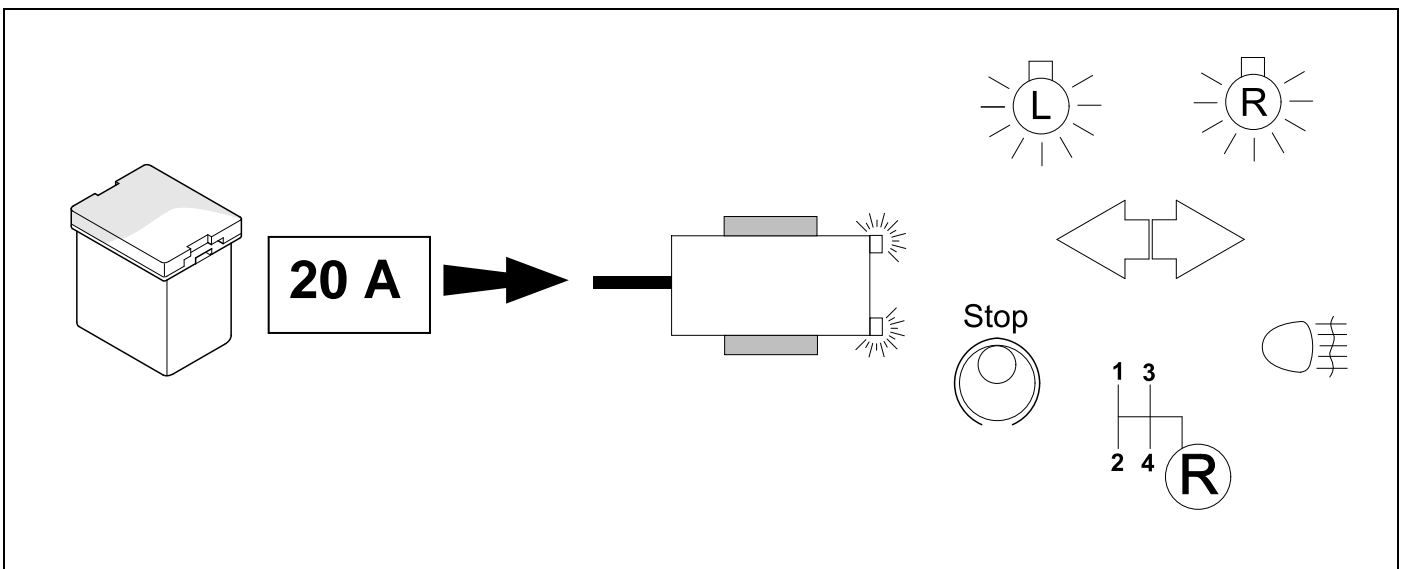
21

CHECK BULB OUT DETECTION



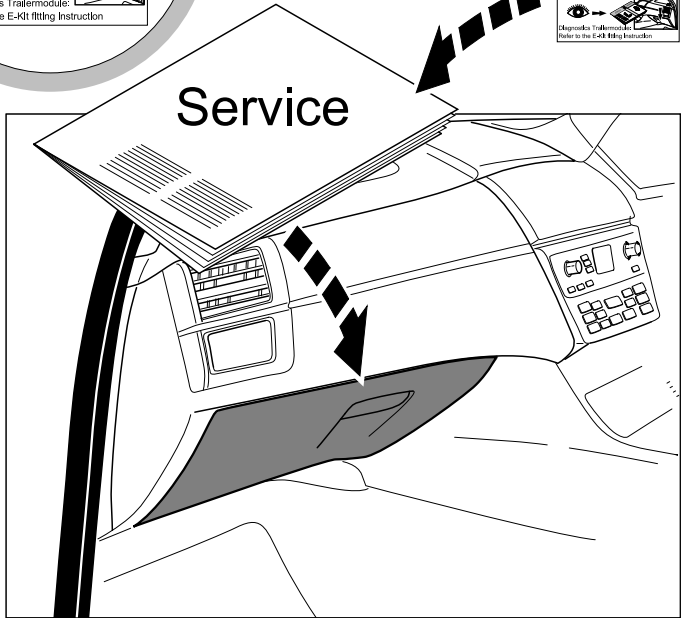
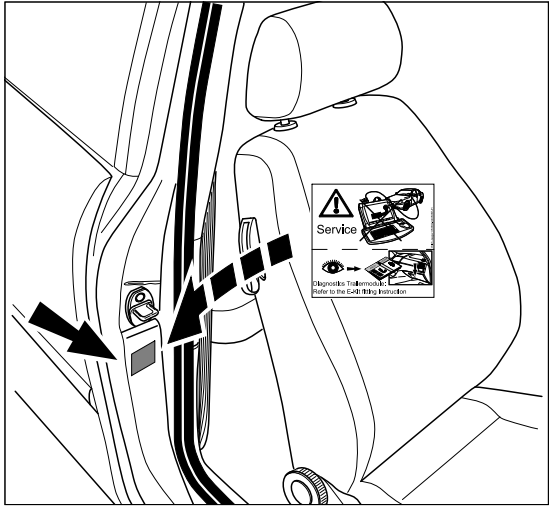
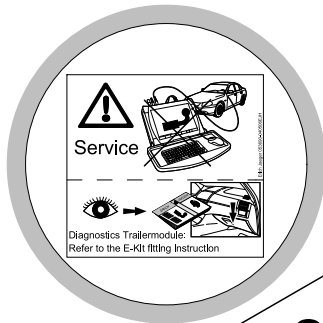
22

👁️ ⇒ 16 + 17

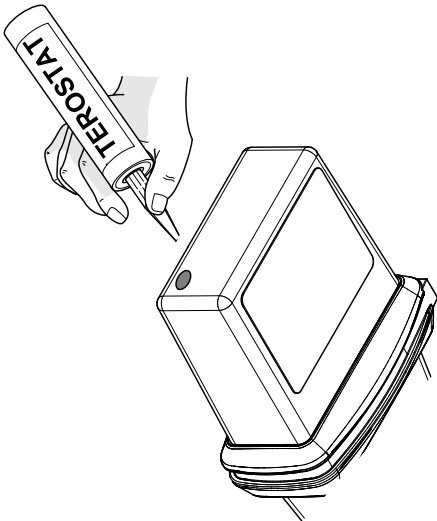
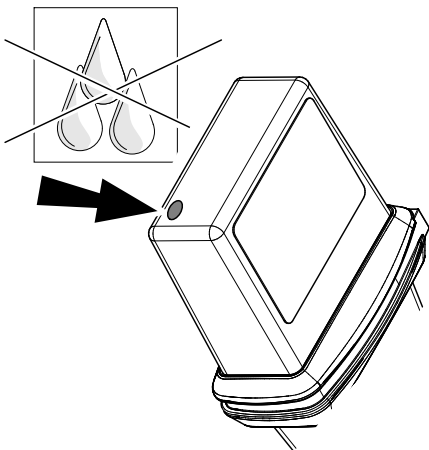


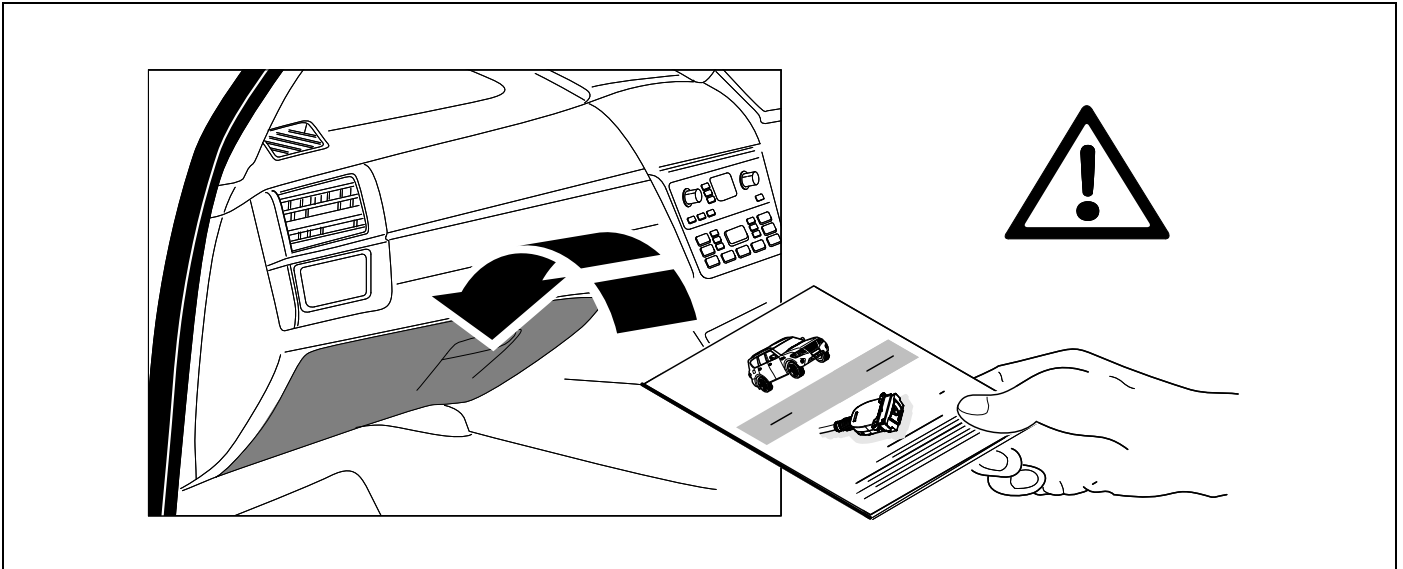


2x 14



 ⇒ 11





Subject to change in terms of construction, equipment and colour, and may contain errors.
The information and illustrations are non-binding.