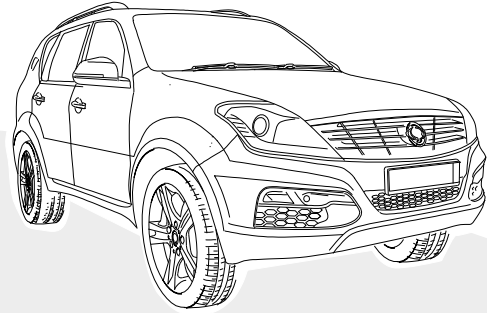
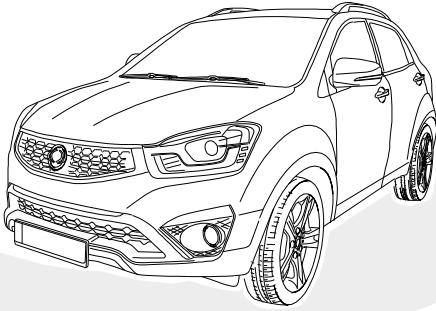
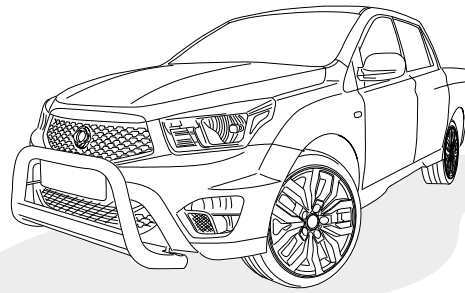




ERICH JAEGER

Installation instructions



SsangYong Actyon Sports

11/11 >>

SsangYong Korando

10/10 >>

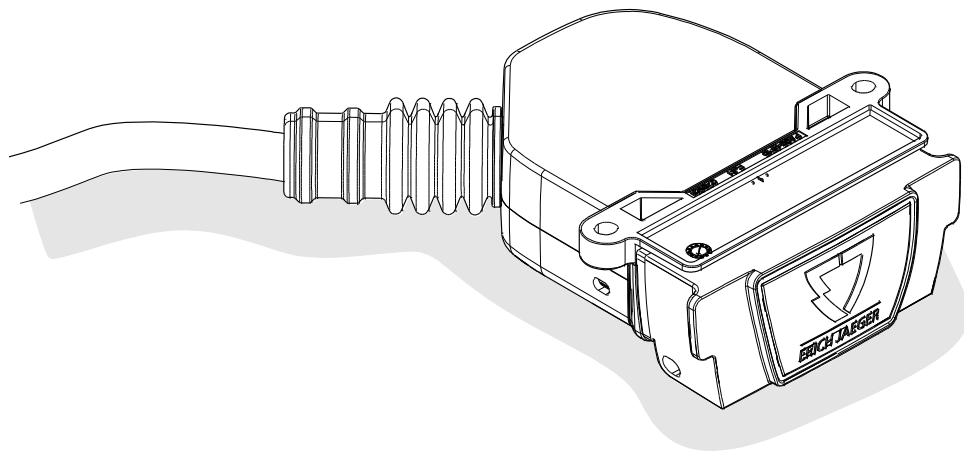
SsangYong Rexton II, W

2006 >>



750081

SCAN FOR
LATEST
INSTRUCTIONS



WATERPROOF
SOCKET
INCLUDED



IPX7 & IPX9K

Reference:

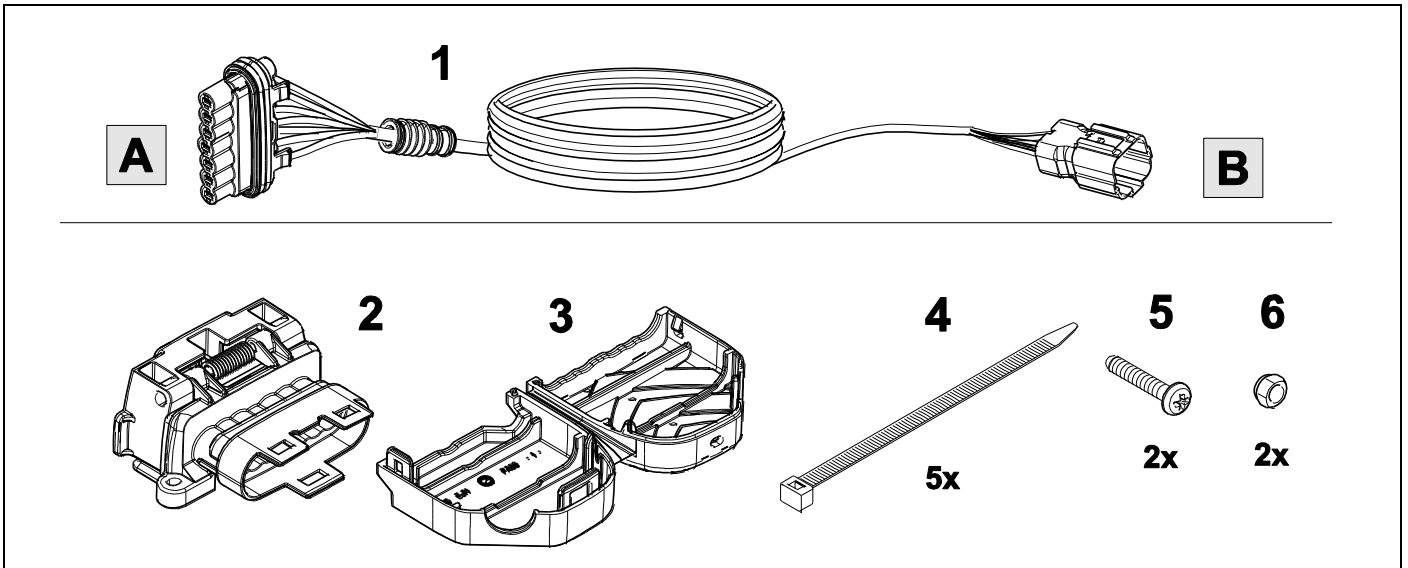
The following information must be reviewed before beginning the assembly:

The installation instructions are to be thoroughly read.

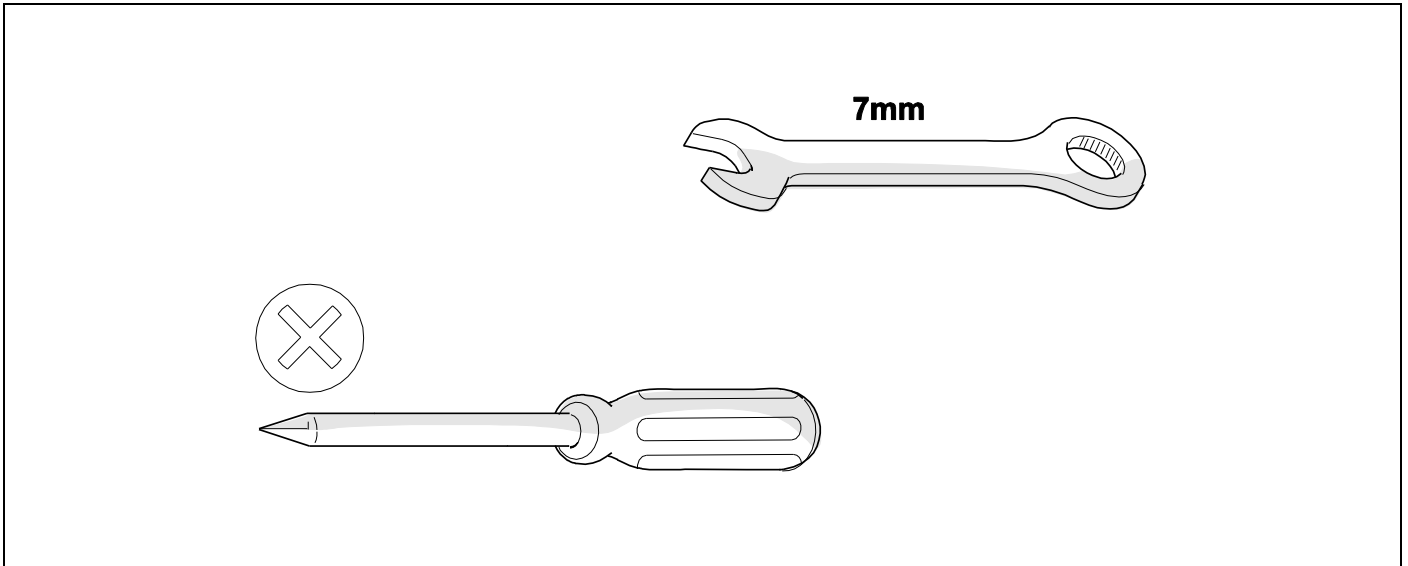
The installation should be carried out by qualified personnel with the relevant technical knowledge. The vehicle manufacturers' current technical notices and information on retrofitting must be followed. The removal and replacement instructions found in the current repair manuals must be followed.

It must be ensured that the vehicle is technically suitable for the installation of a trailer hitch.

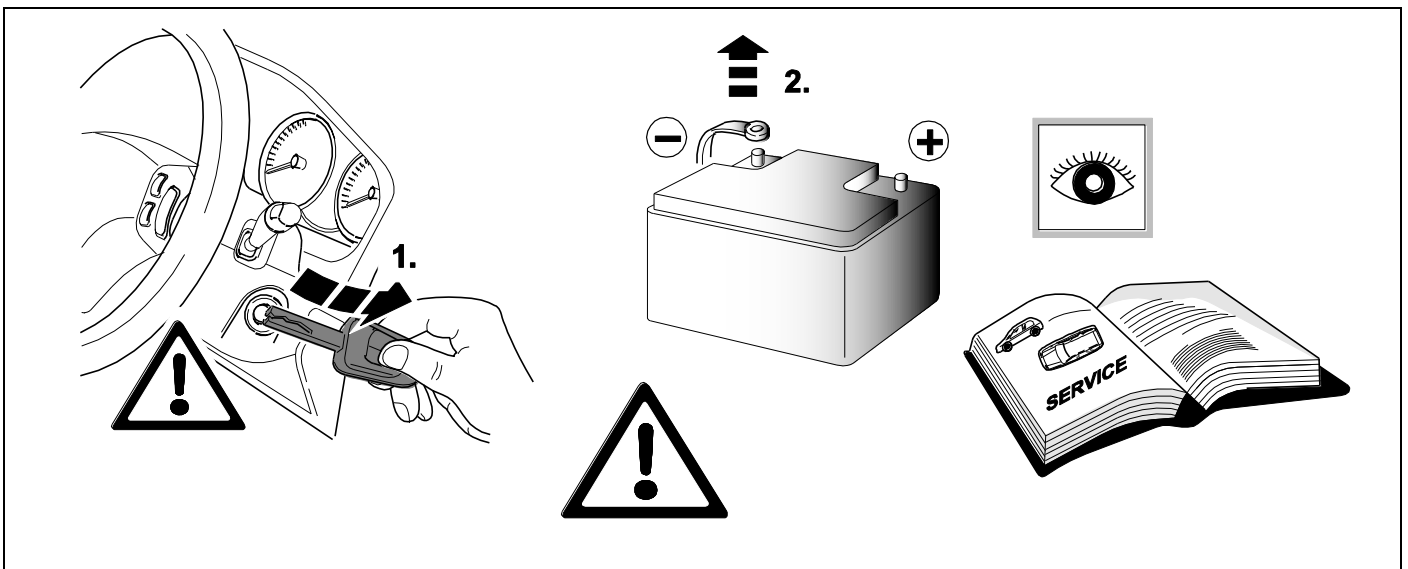
KIT



TOOLS



1



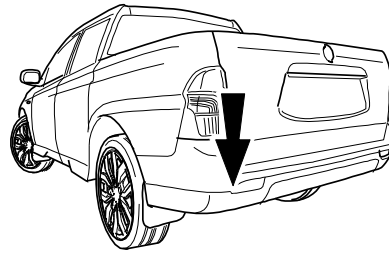
2

Actyon Sports

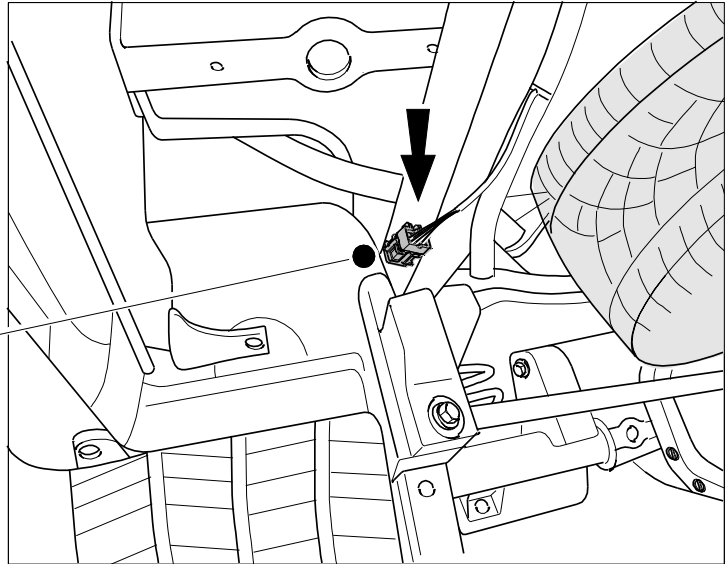
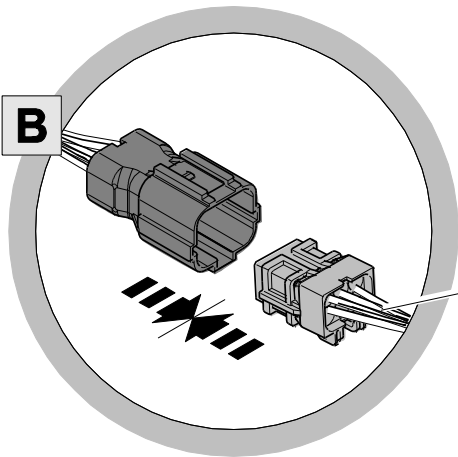
1



B



B



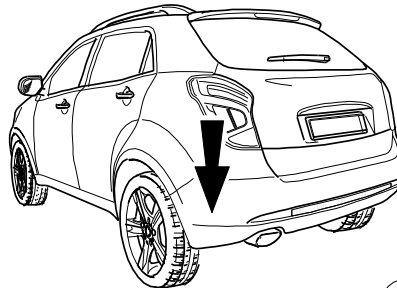
3

Korando

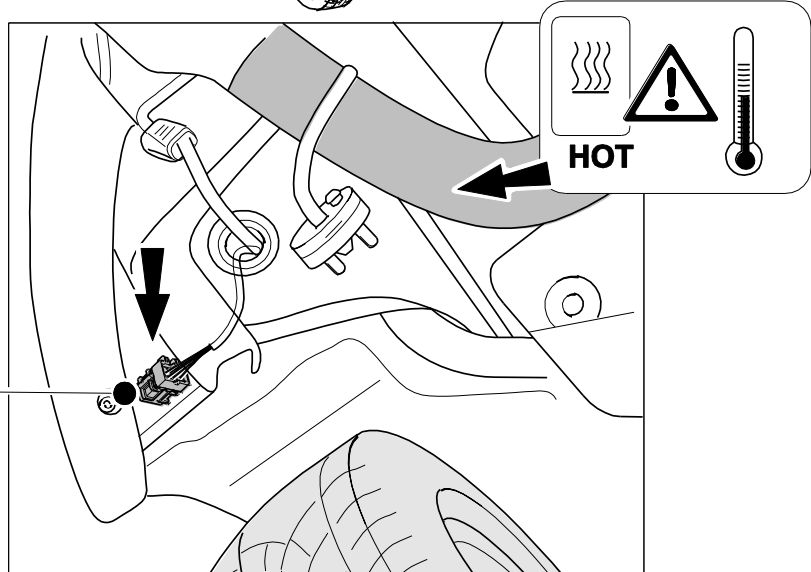
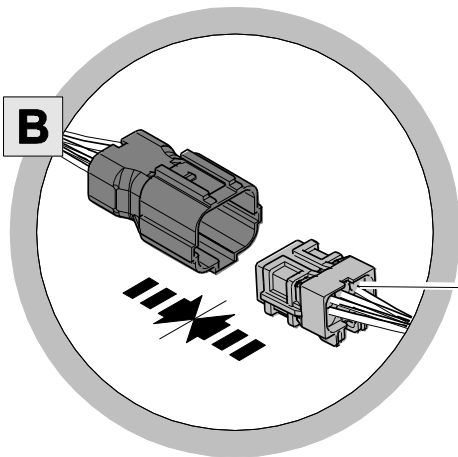
1

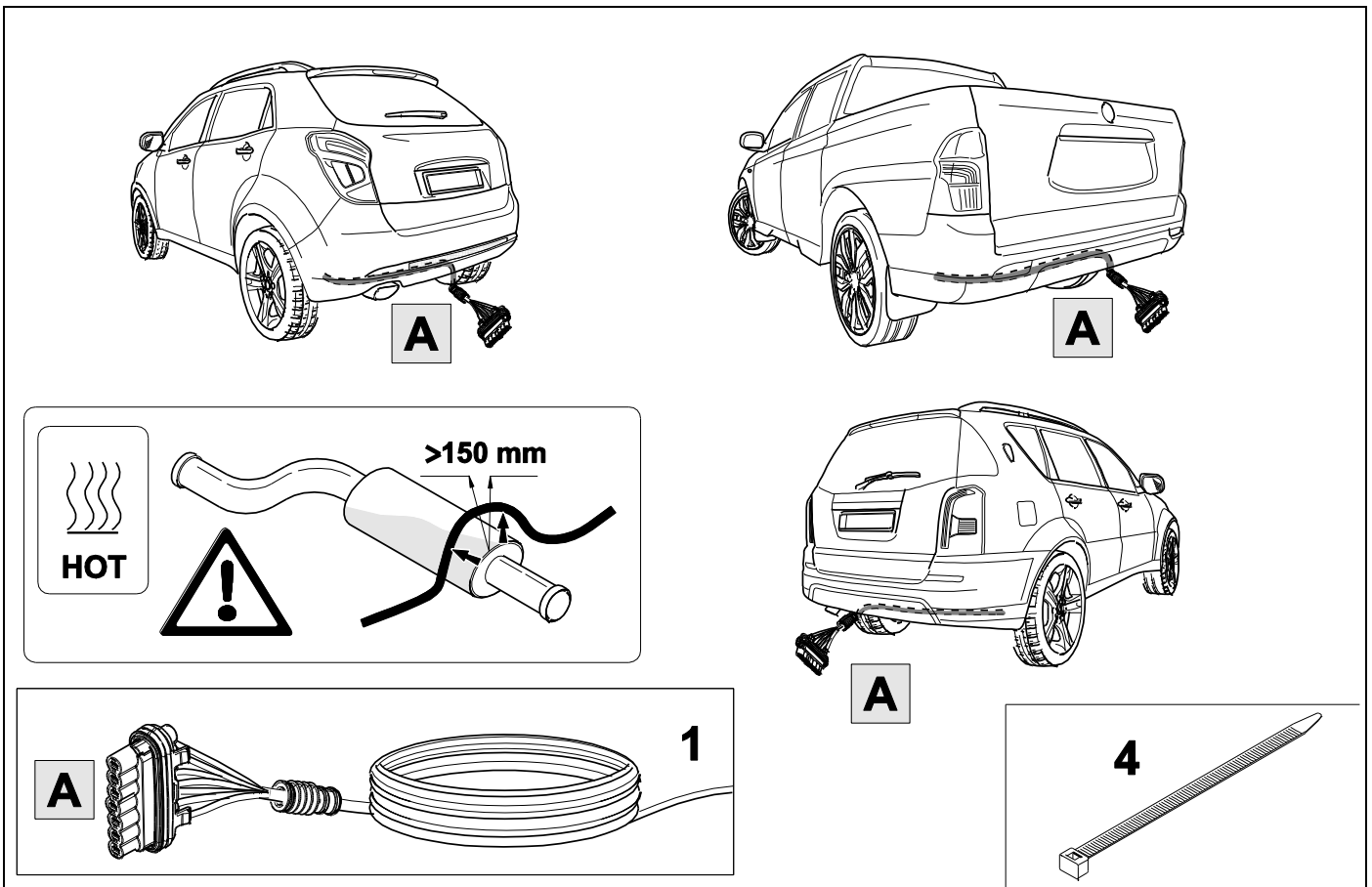
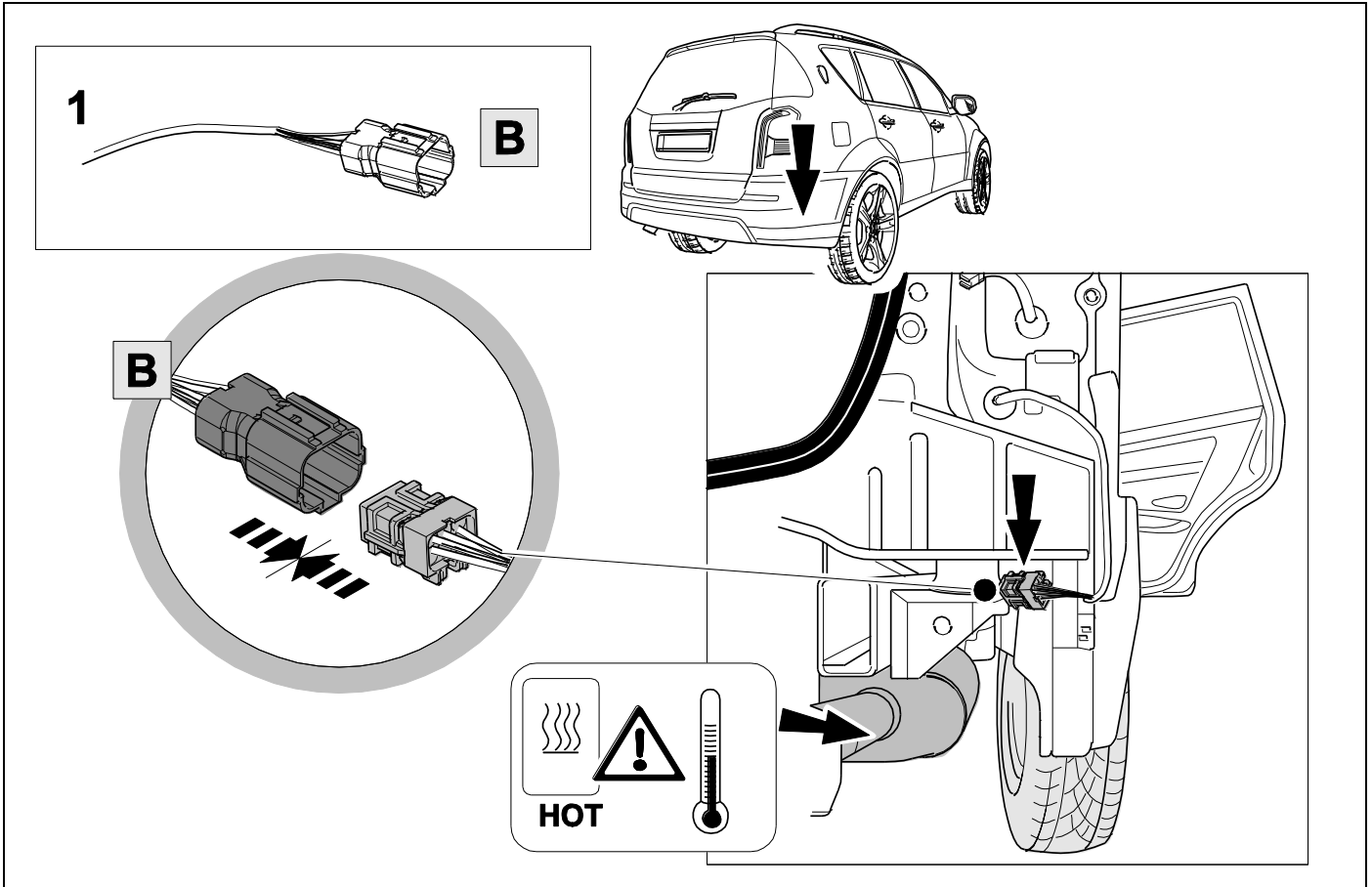


B

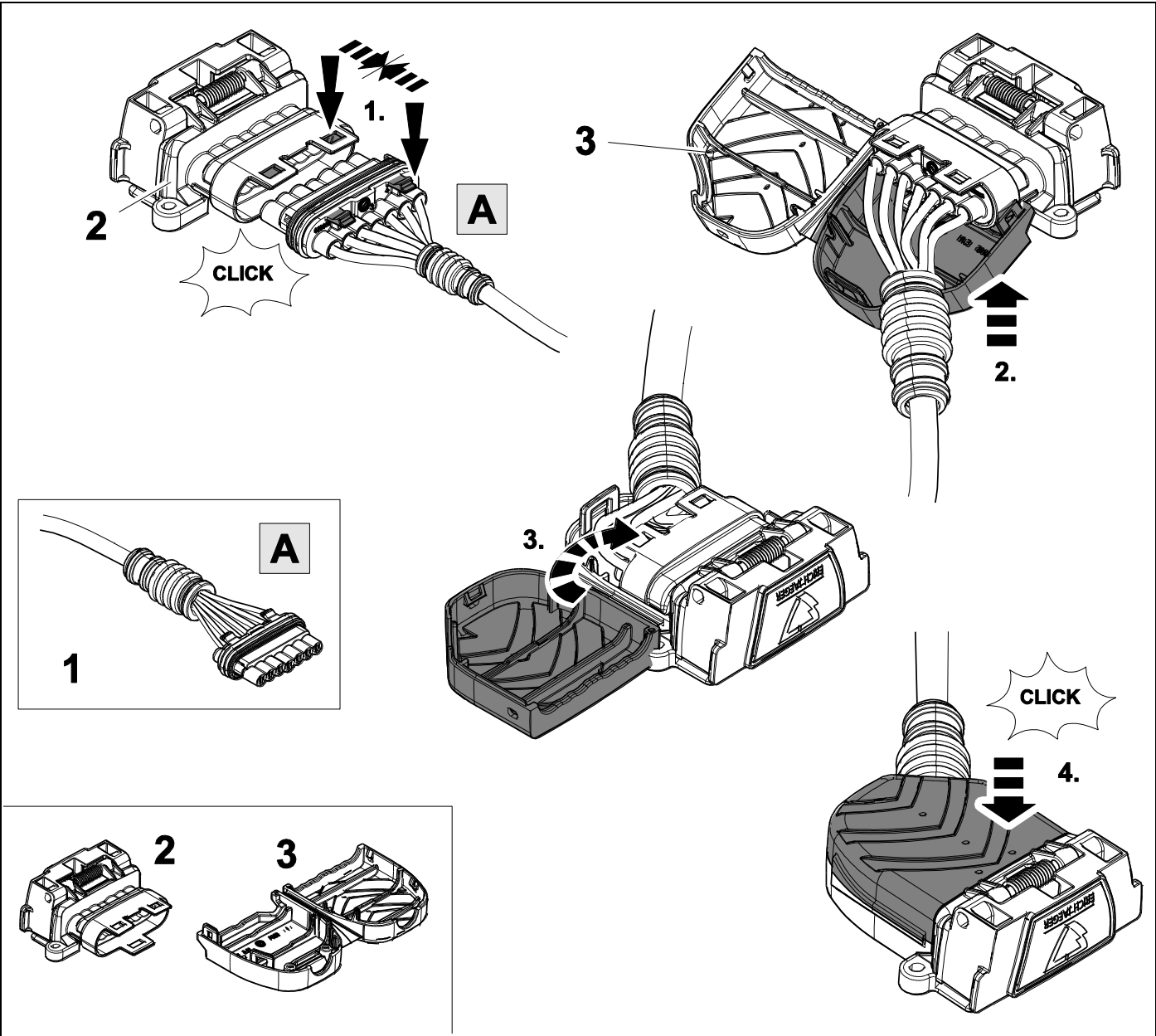


B

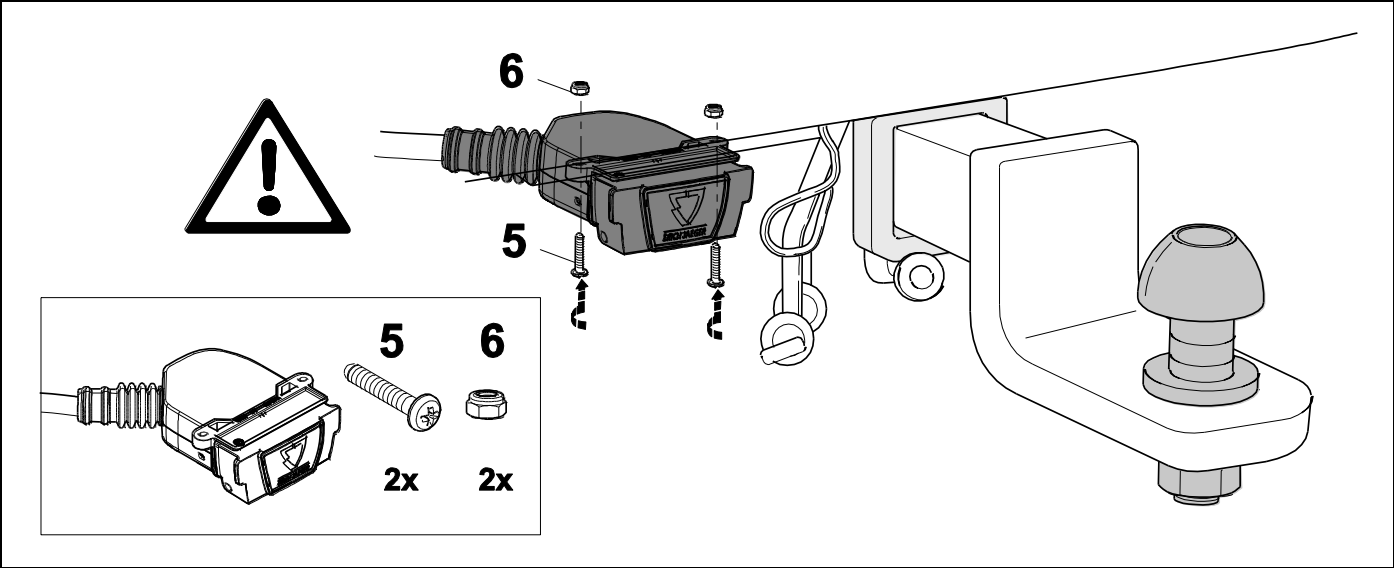




6



7



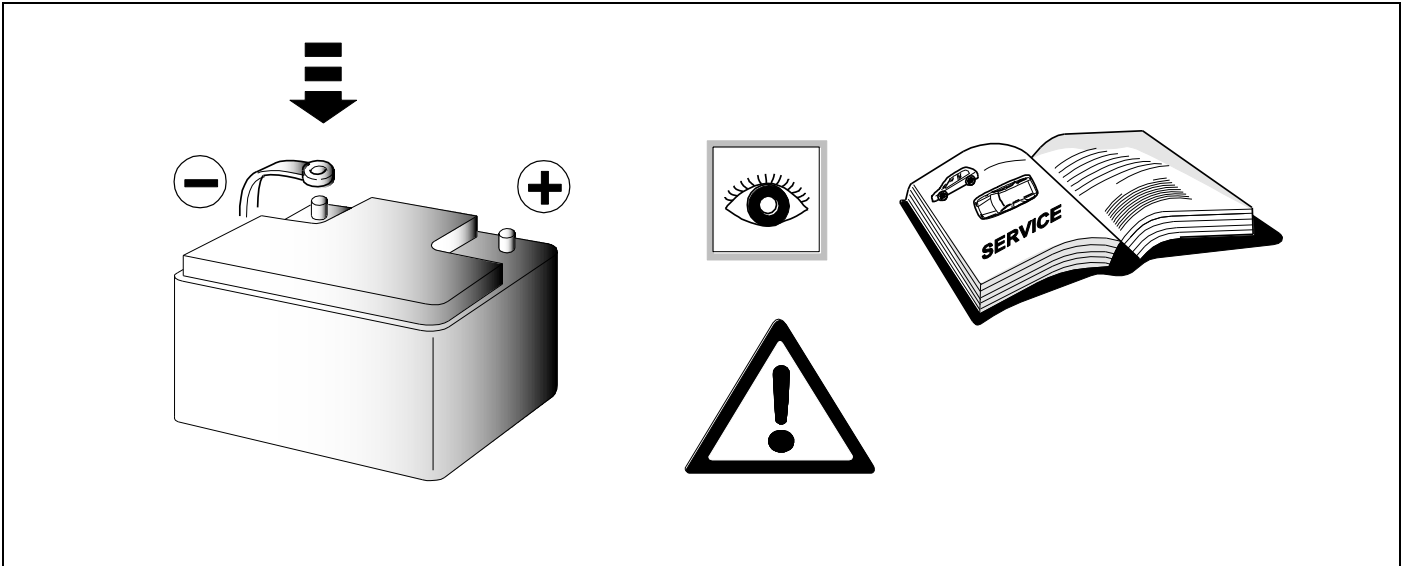
8**9**

1	ye	
2	bk	
3	wh	
4	gn	
5	bu	
6	rd	
7	bn	

9	bk	wh	gy	gn	rd	bu	ye	bn	pu	or	no
----------	-----------	-----------	-----------	-----------	-----------	-----------	-----------	-----------	-----------	-----------	-----------

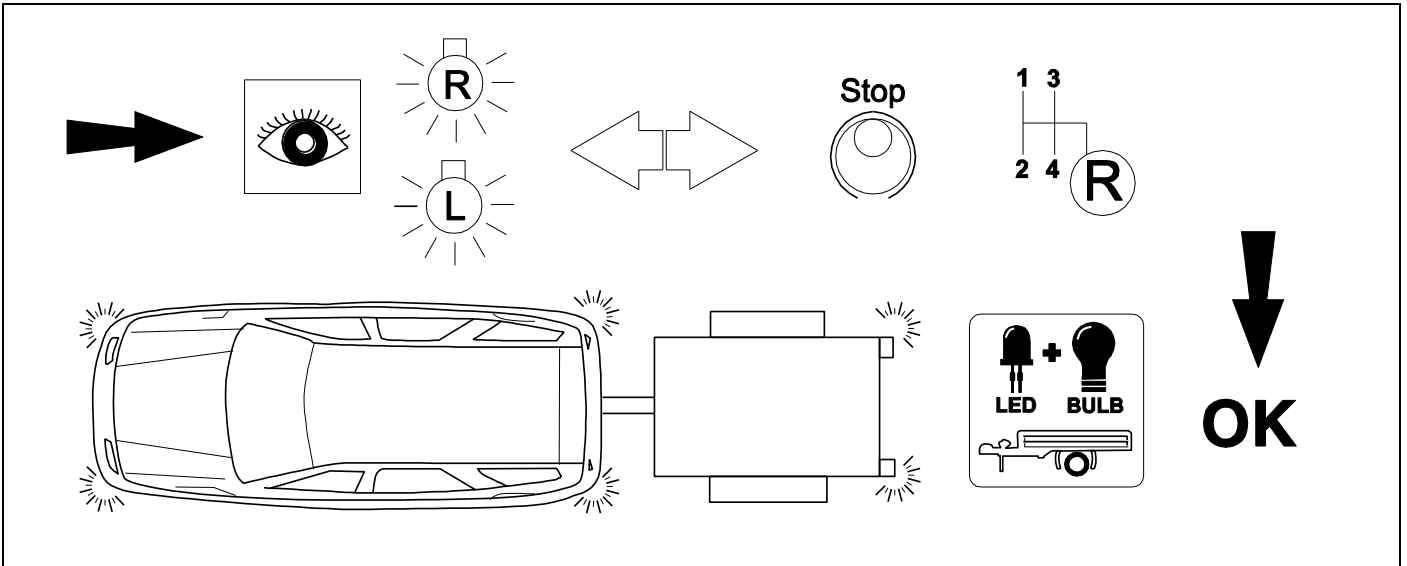
	black	white	grey	green	red	blue	yellow	brown	purple	orange	not occupied
--	-------	-------	------	-------	-----	------	--------	-------	--------	--------	--------------

10



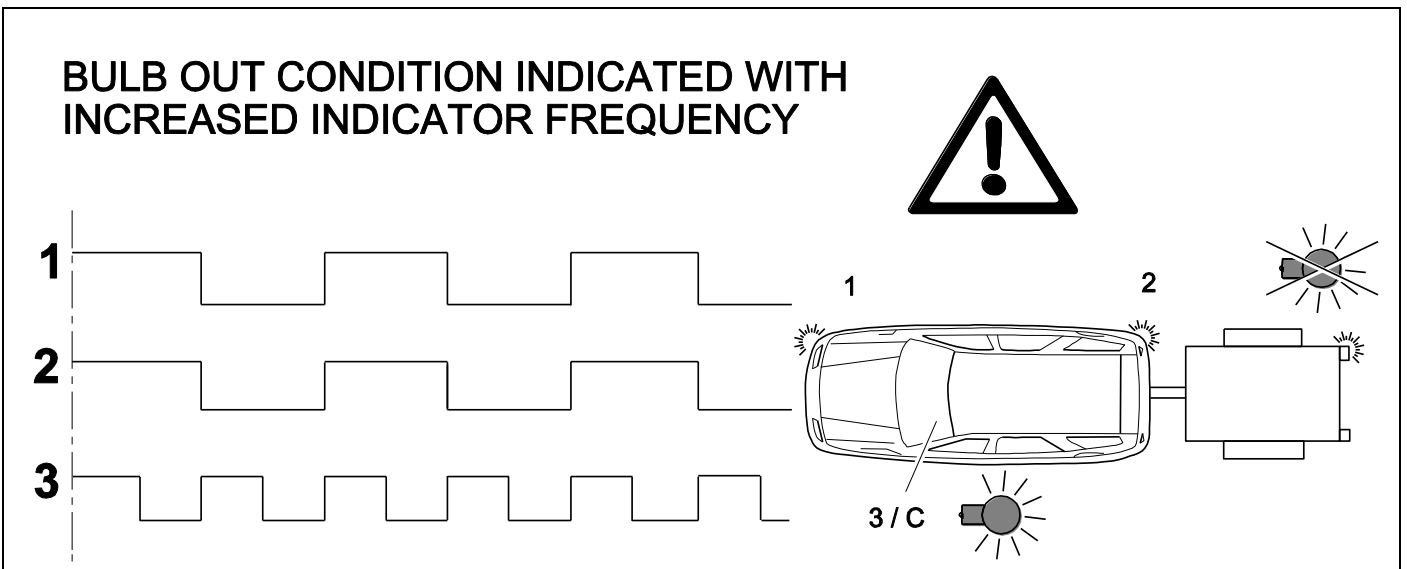
11

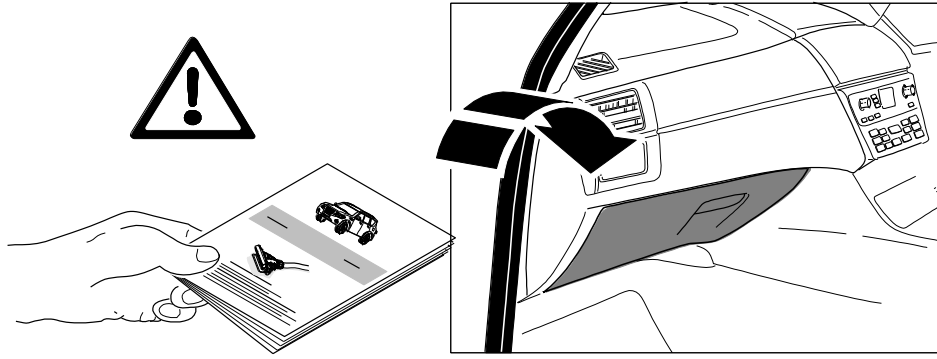
CHECK ALL LIGHTING FUNCTIONS



12

CHECK BULB OUT DETECTION





GB

Subject to change in terms of construction, equipment and colour, and may contain errors.
The information and illustrations are non-binding.