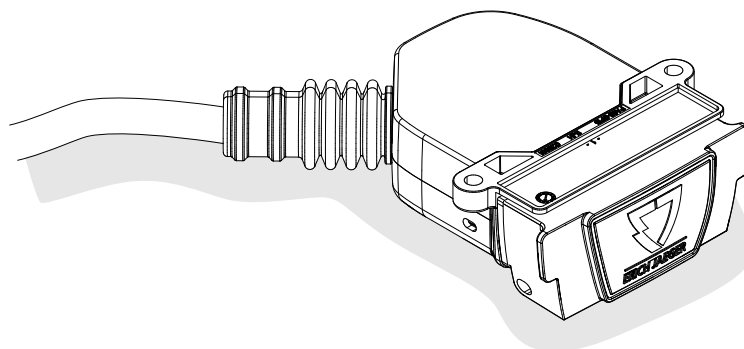


**MERCEDES BENZ A-Class W177**

**05/18 >>**

**750104**



## **Installation instructions**

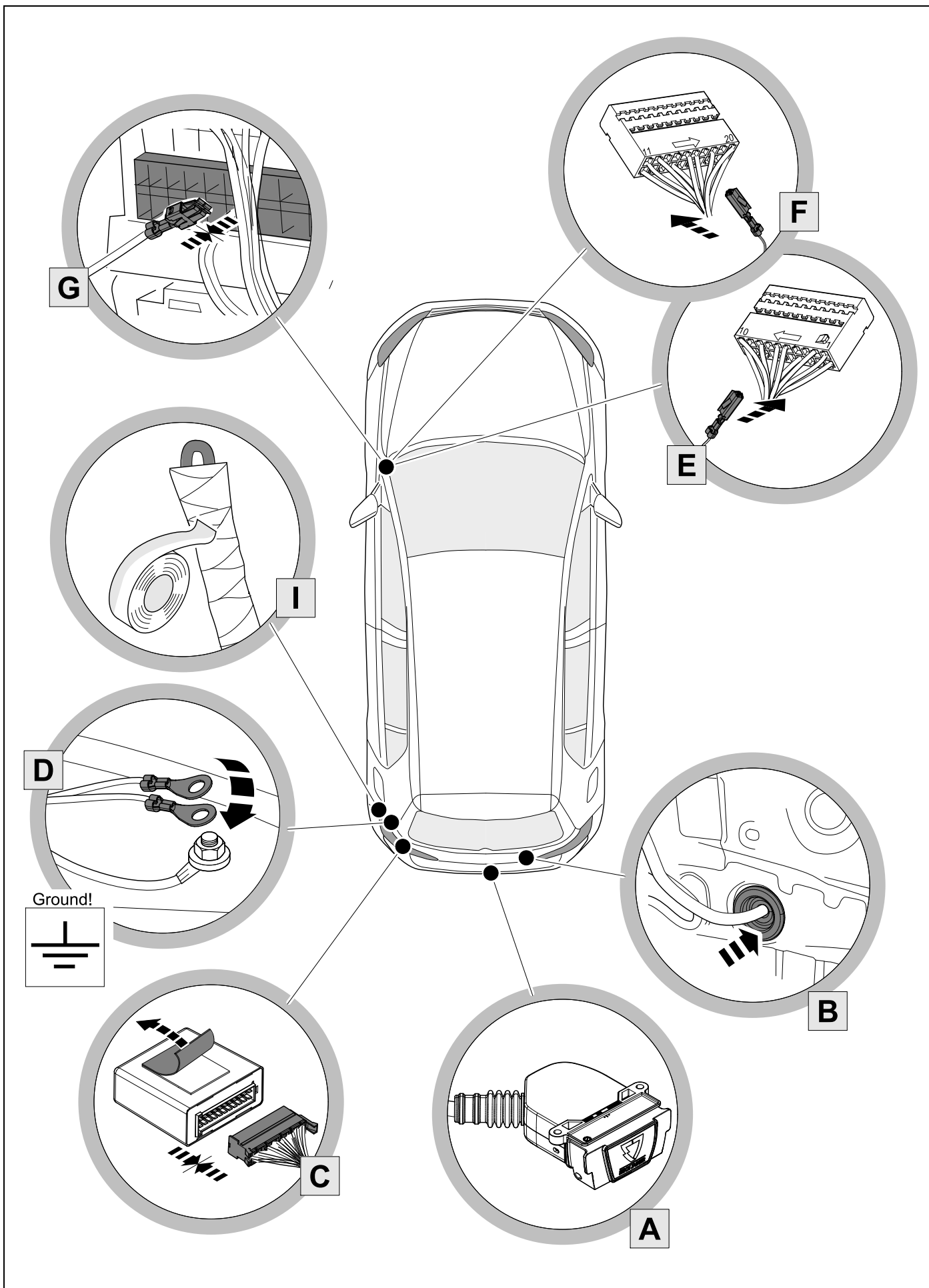
### **Reference:**

The following information must be reviewed before beginning the assembly:

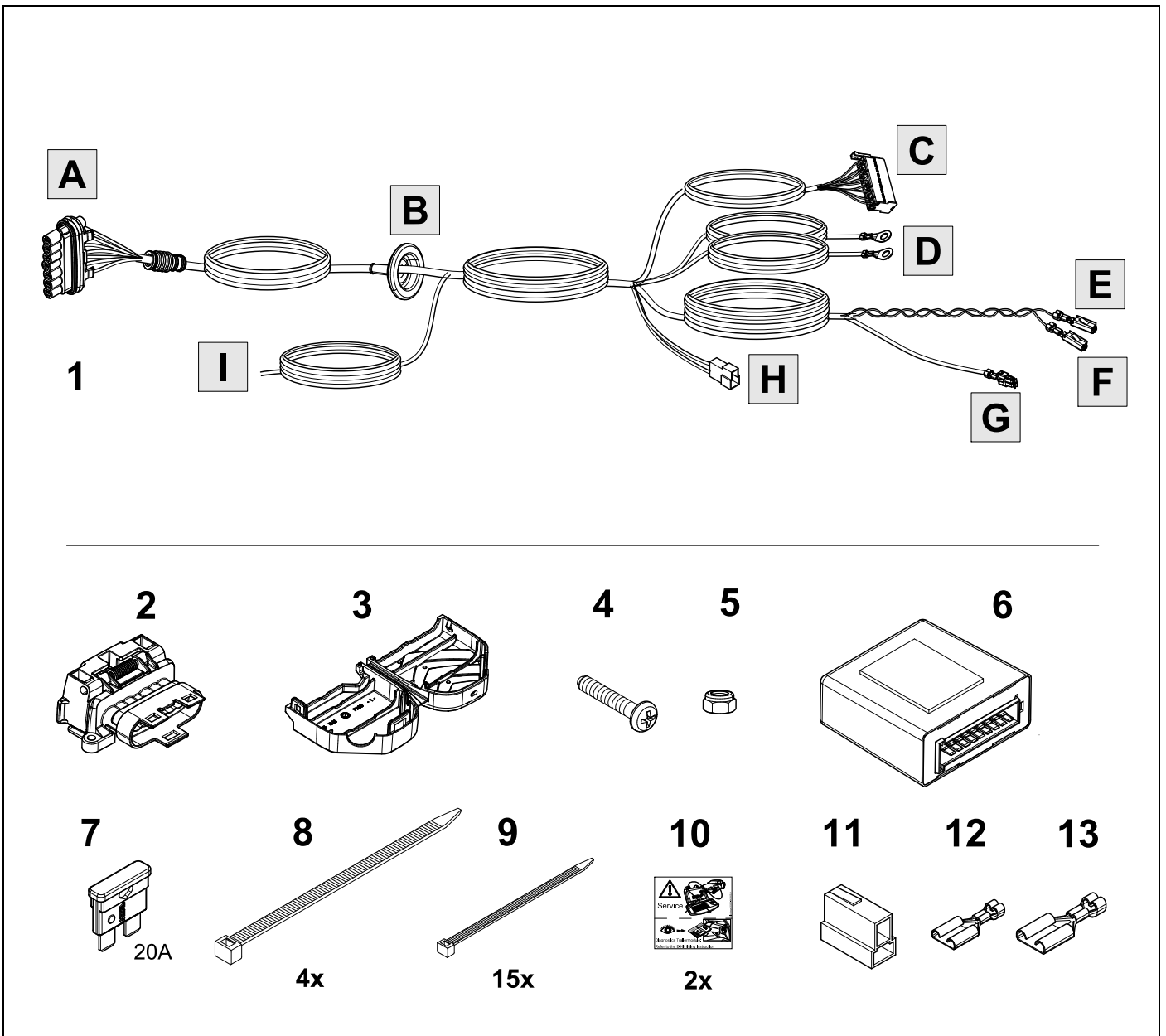


The installation instructions are to be thoroughly read.  
The installation should be carried out by qualified personnel with the relevant technical knowledge.  
The vehicle manufacturers' current technical notices and information on retrofitting must be followed.  
The removal and replacement instructions found in the current repair manuals must be followed.  
It must be ensured that the vehicle is technically suitable for the installation of a trailer hitch.

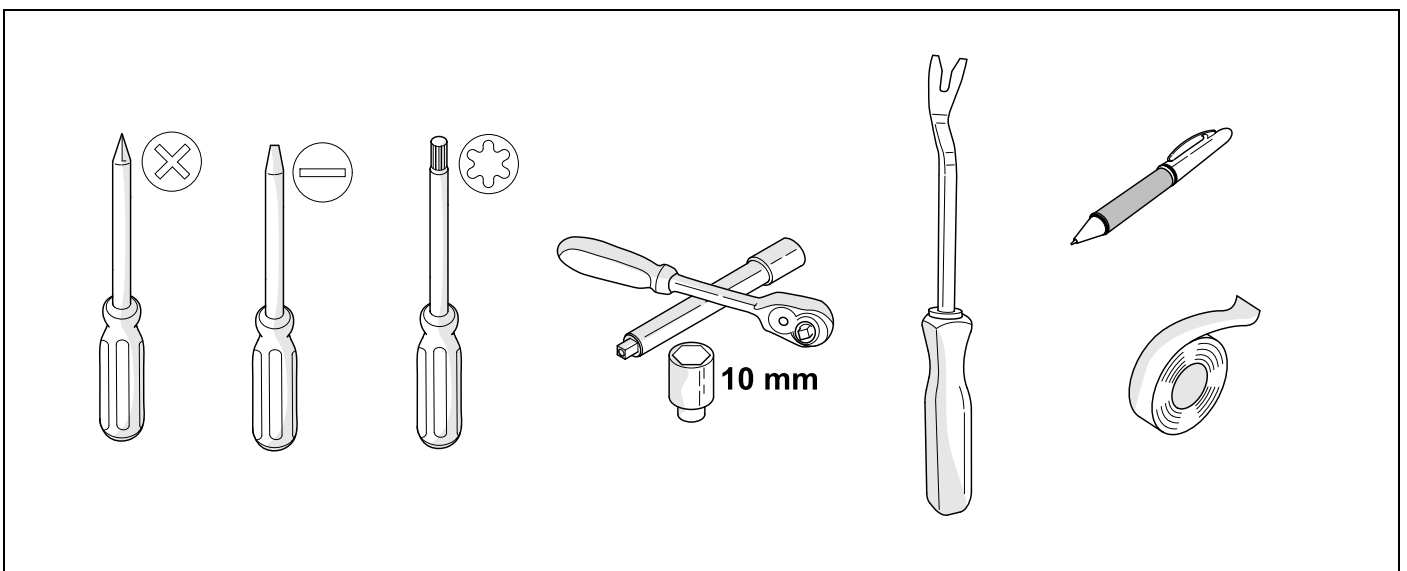
# OVERVIEW



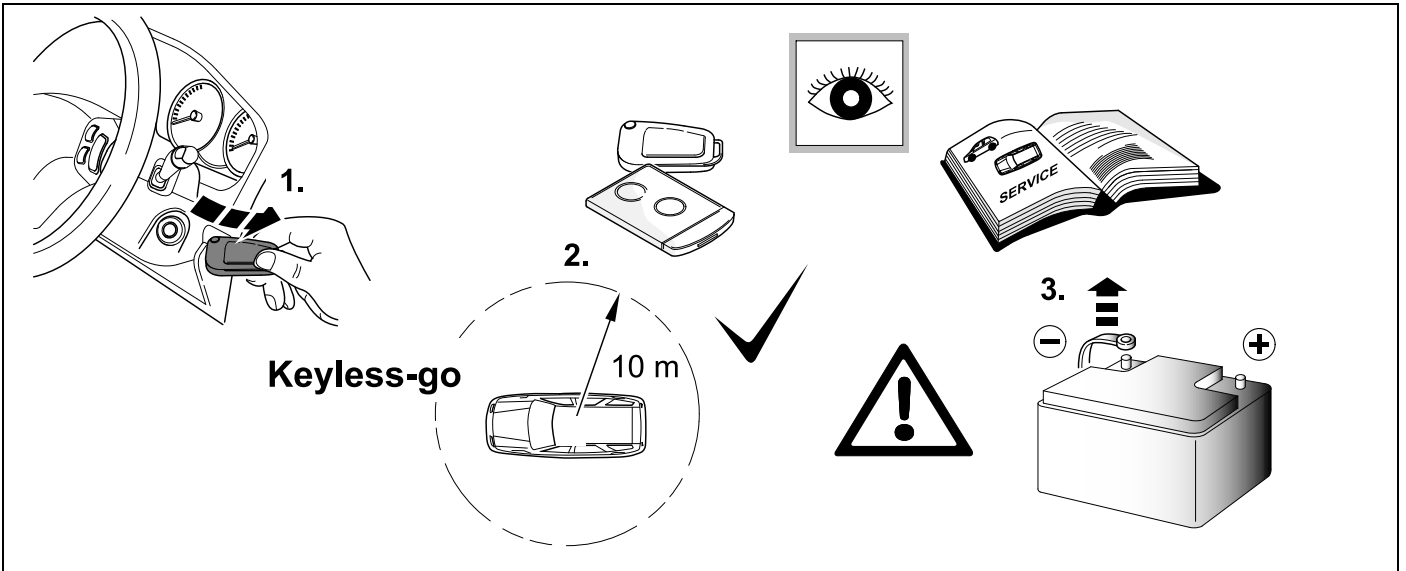
# KIT



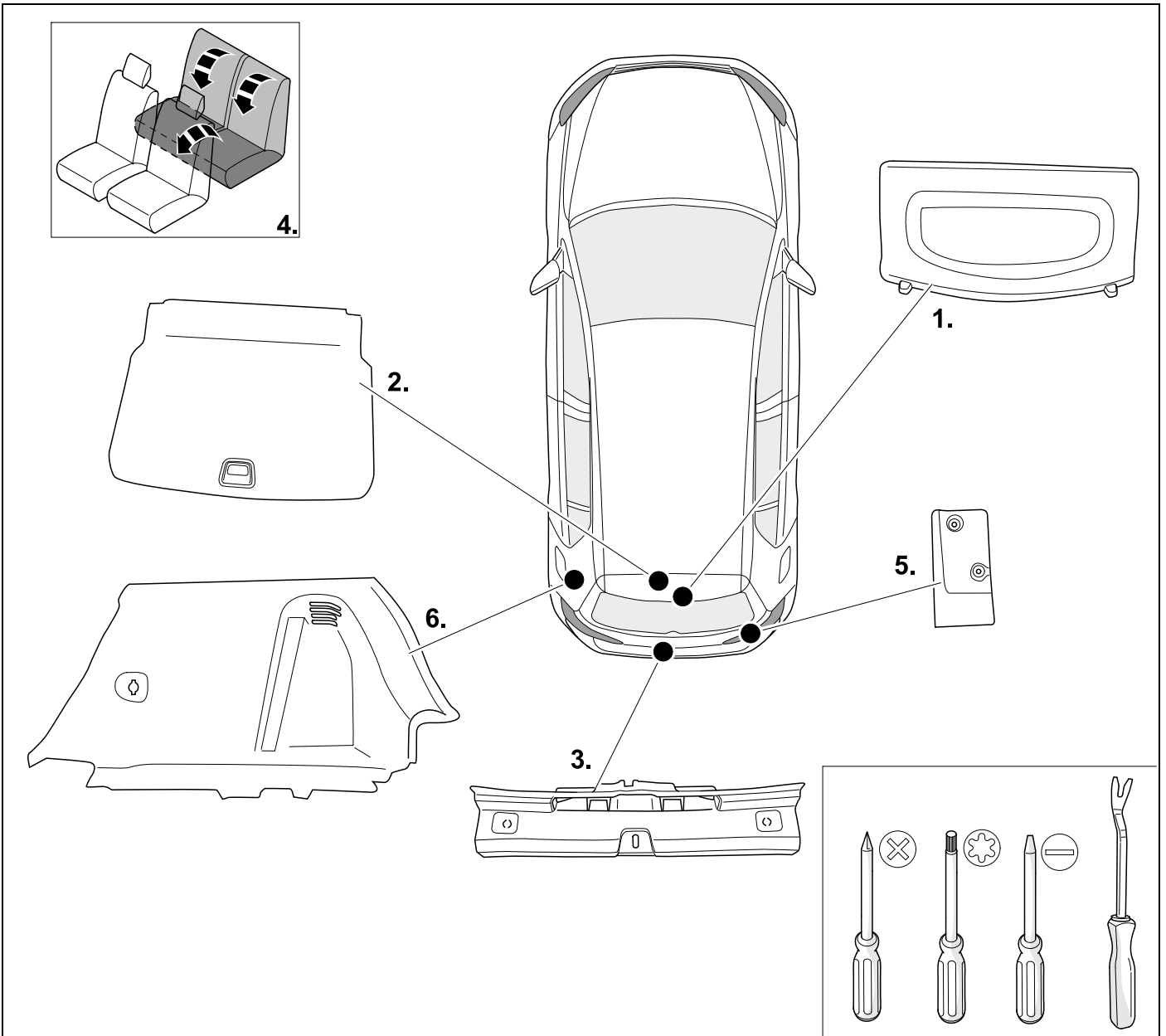
# TOOLS



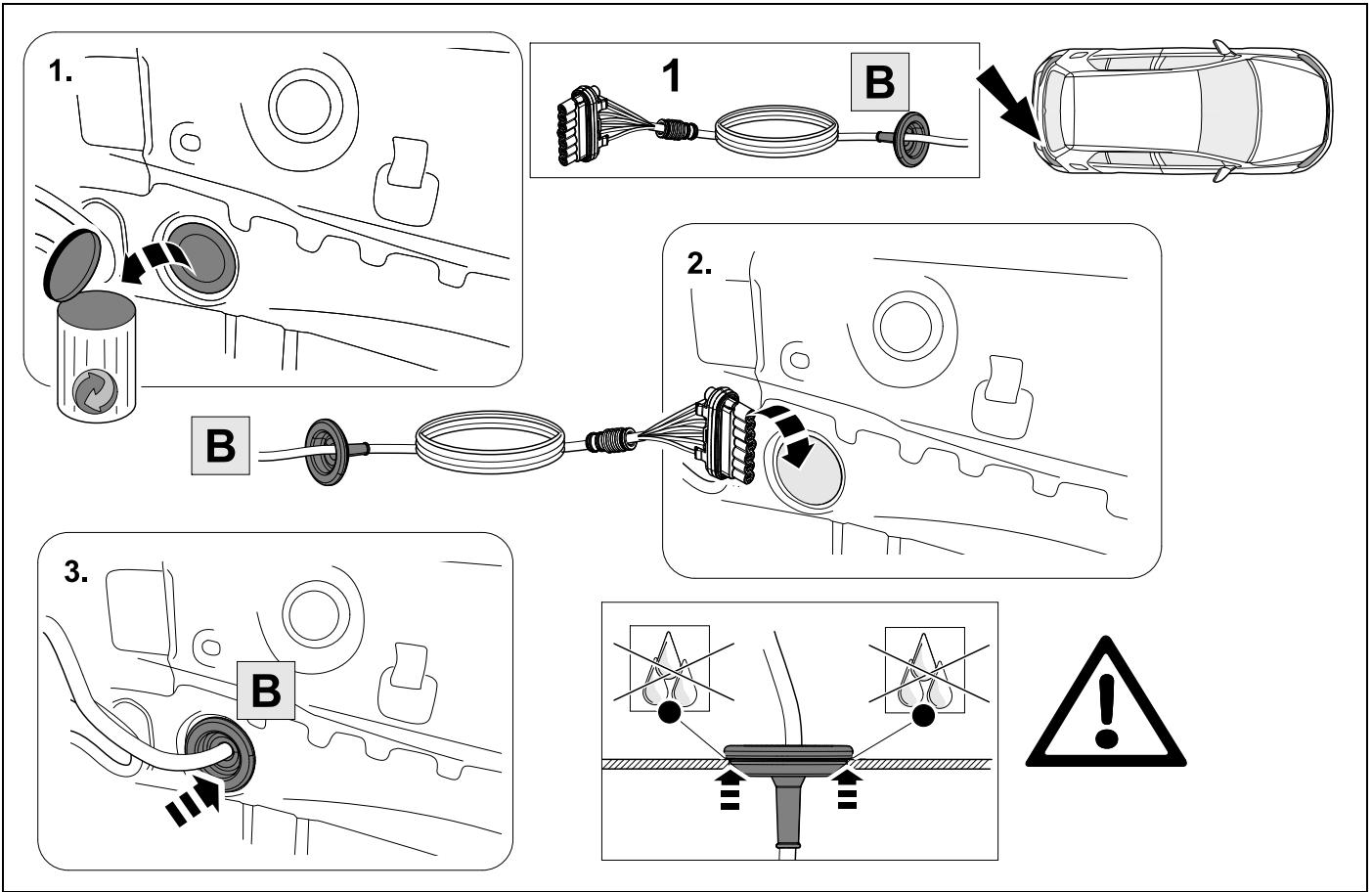
1



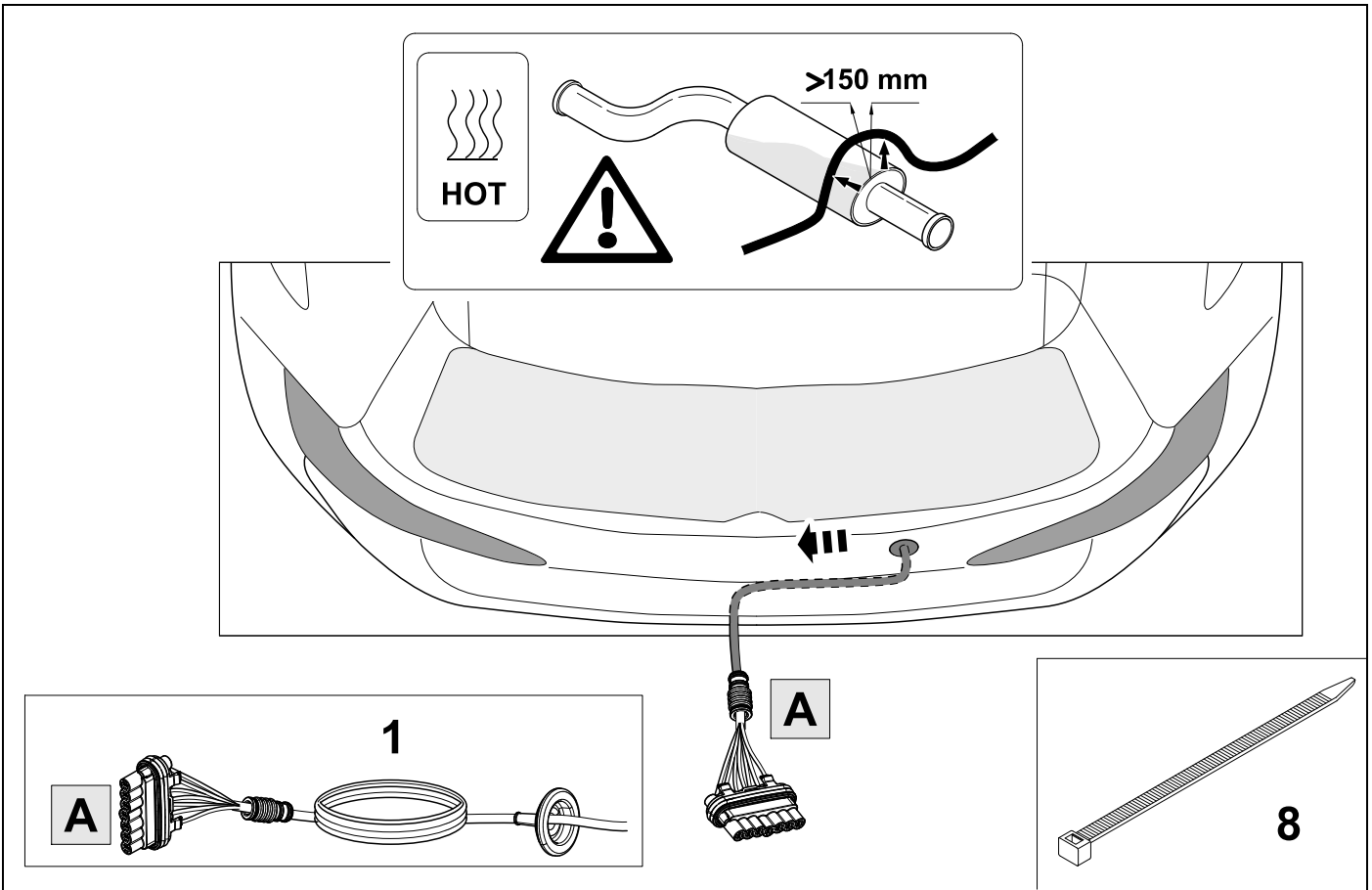
2



3



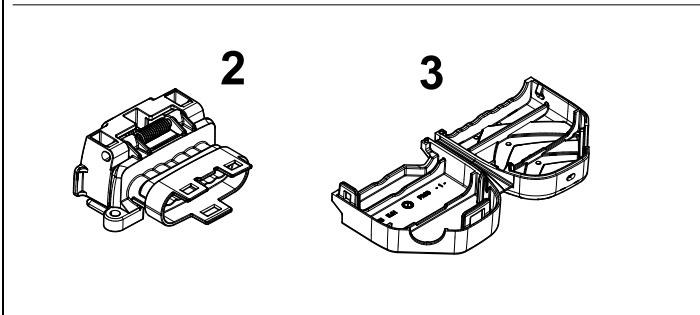
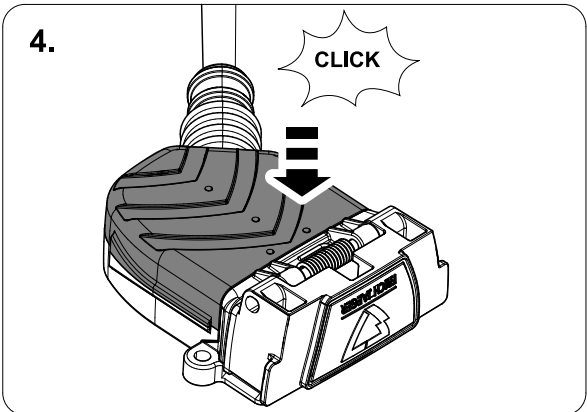
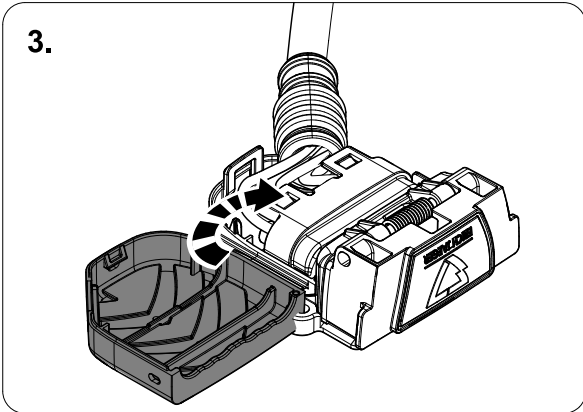
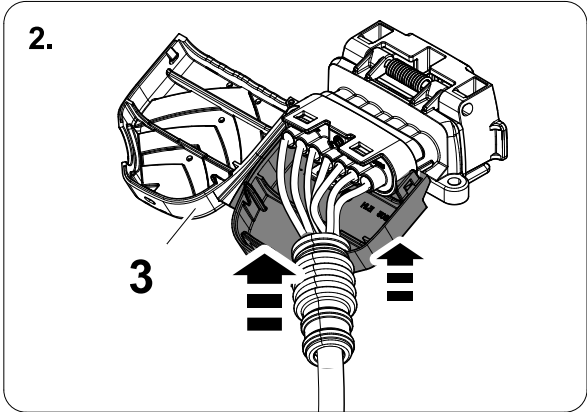
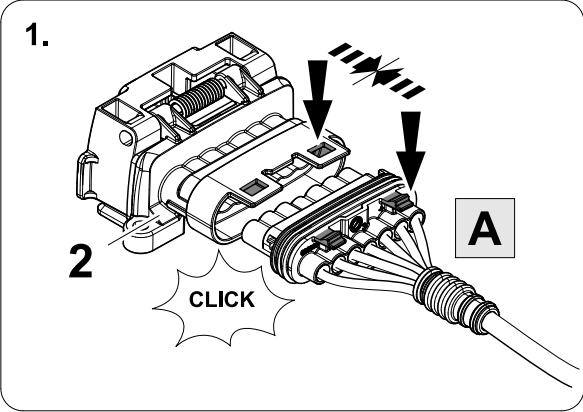
4



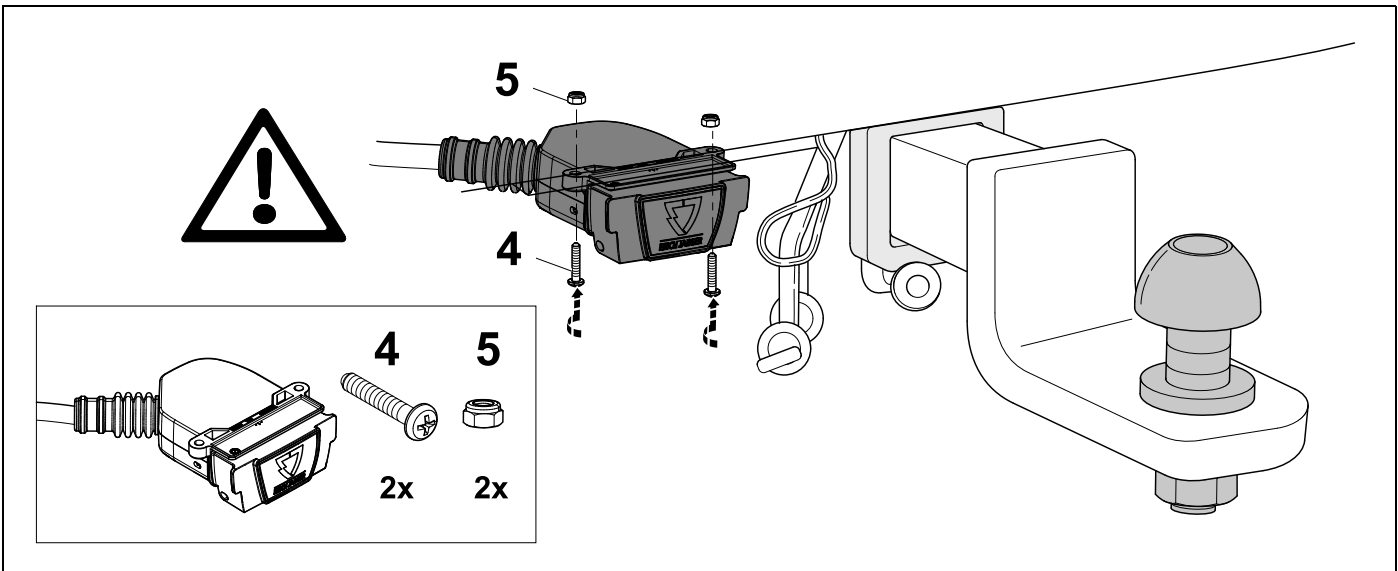
5



7



6



7



8

1	ye	
2	bk	
3	wh	
4	gn	
5	bu	
6	rd	
7	bn	

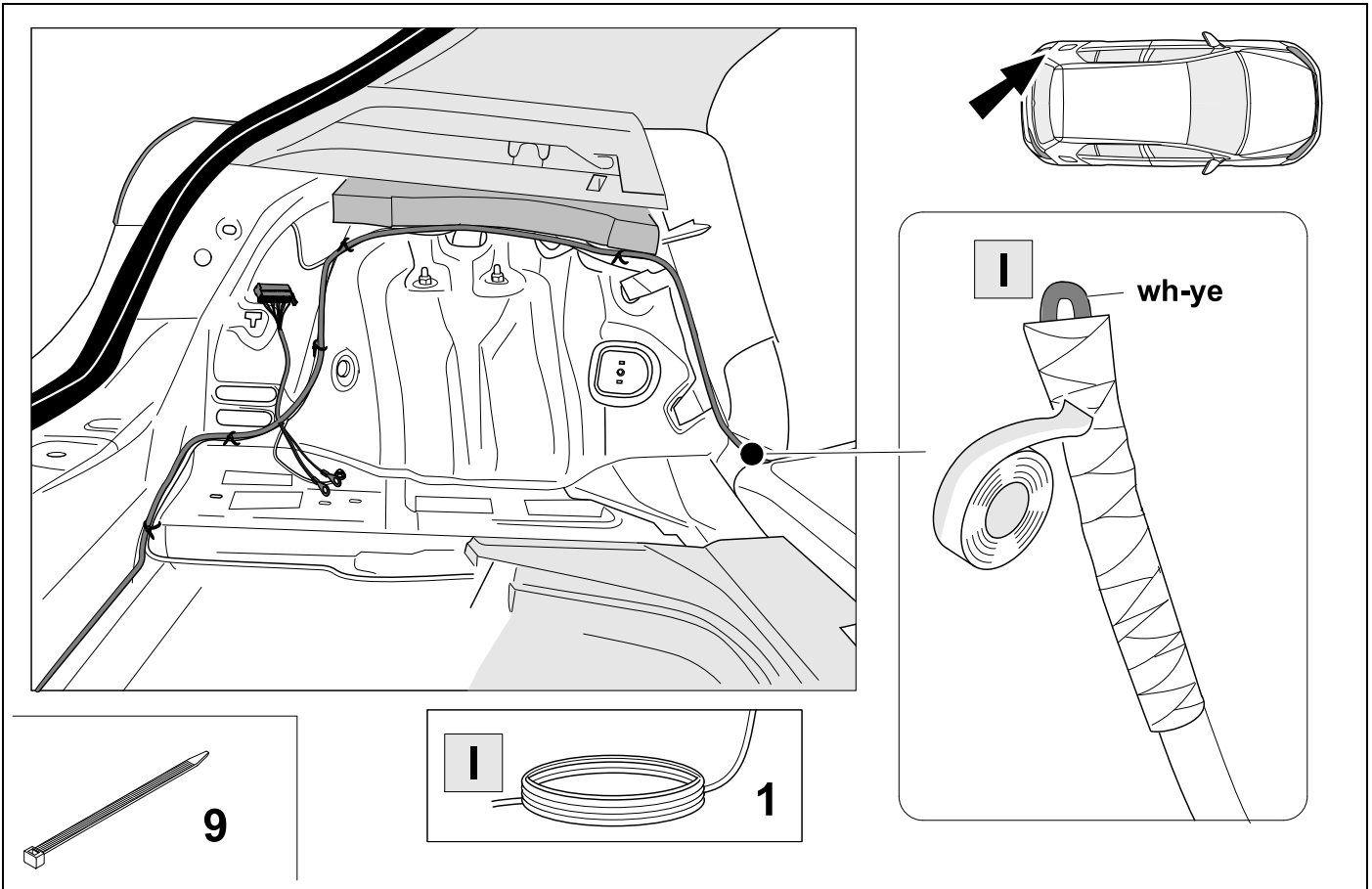
8	bk	wh	gy	gn	rd	bu	ye	bn	pu	or	no
---	----	----	----	----	----	----	----	----	----	----	----

	black	white	grey	green	red	blue	yellow	brown	purple	orange	not occupied
--	-------	-------	------	-------	-----	------	--------	-------	--------	--------	--------------

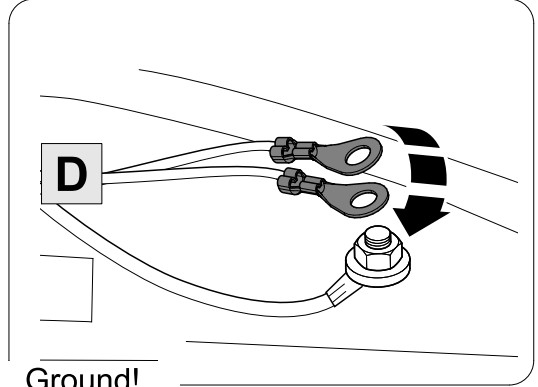
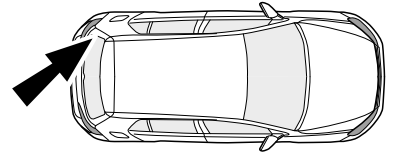
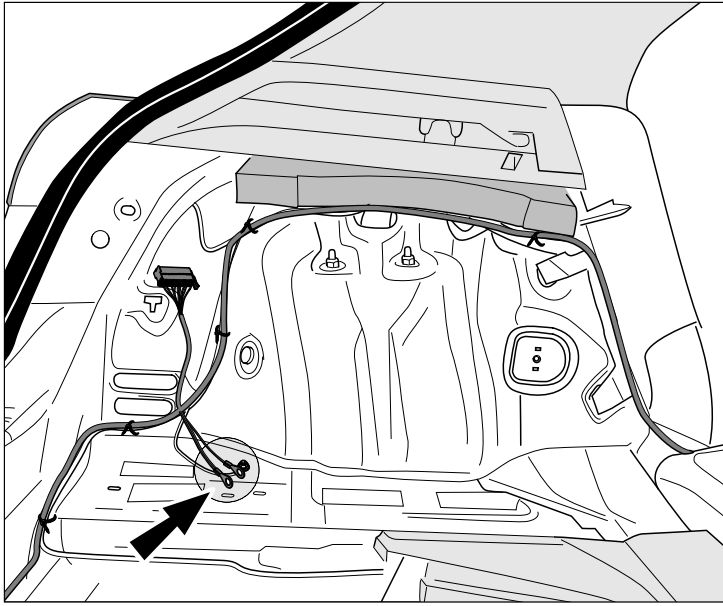
9



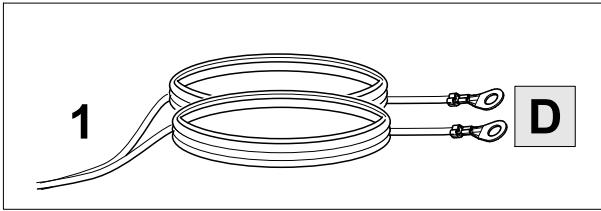
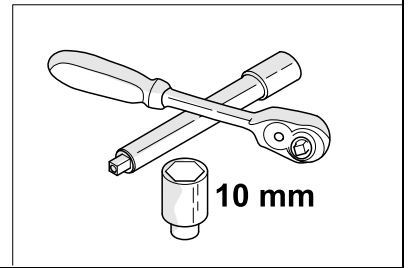
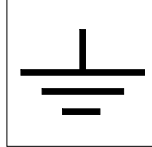
8



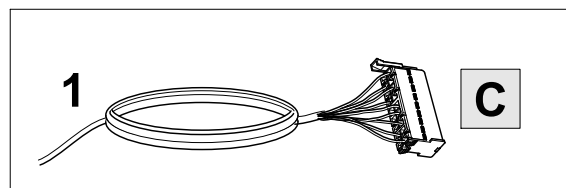
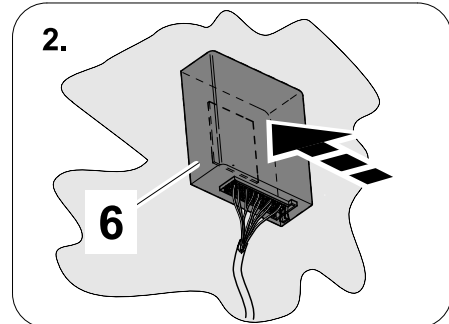
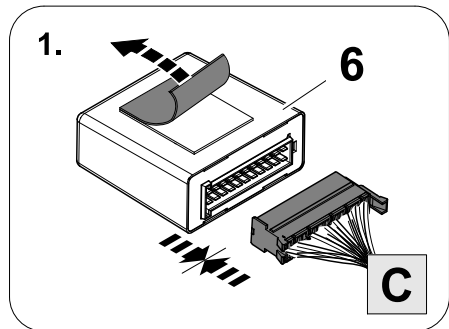
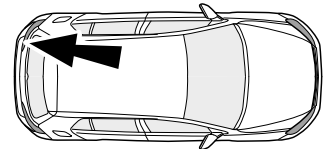
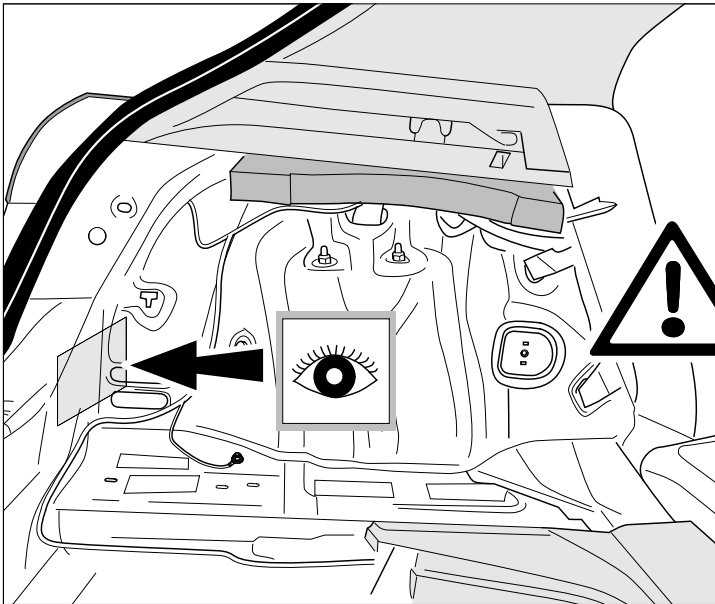
10



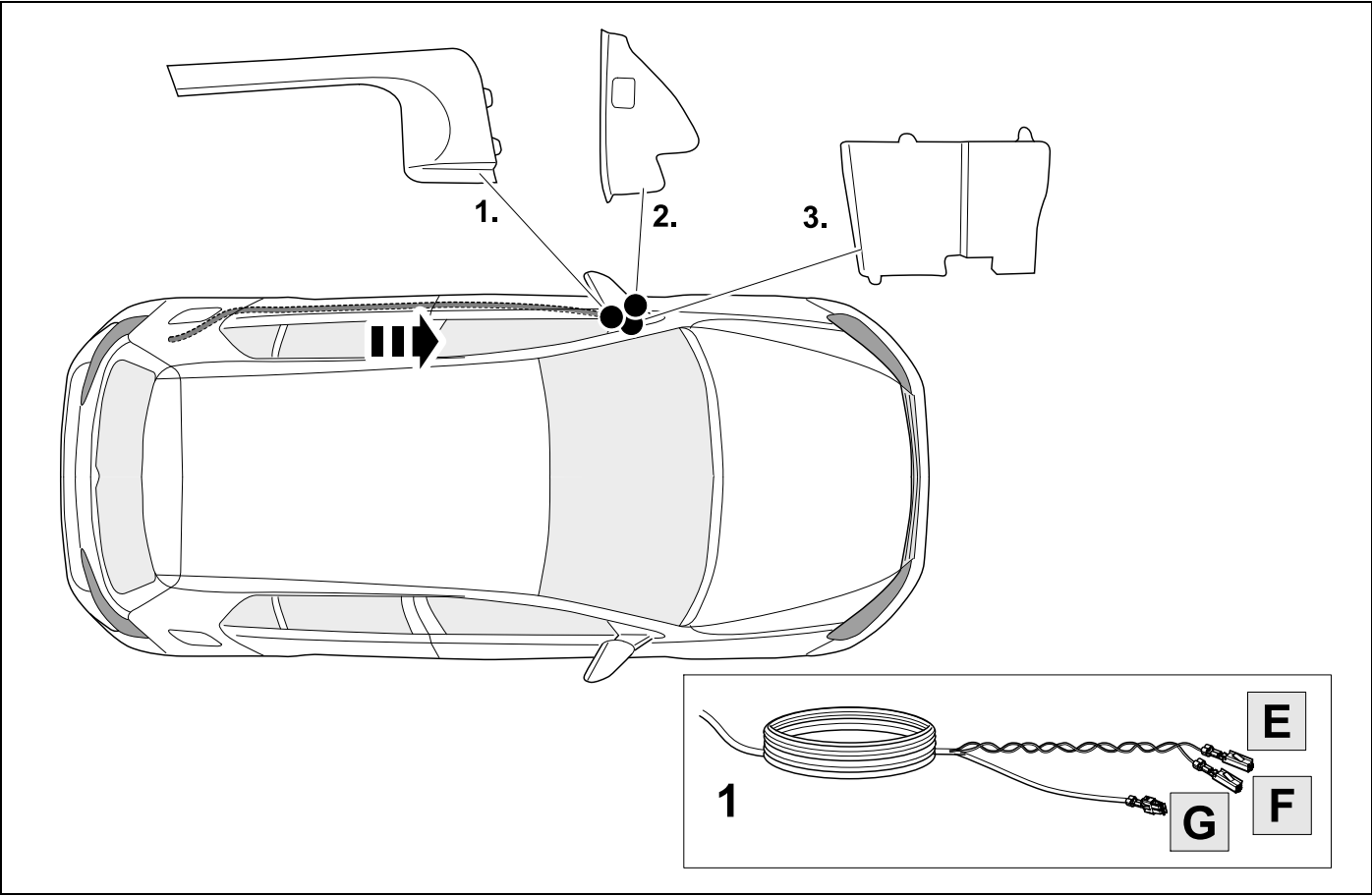
Ground!

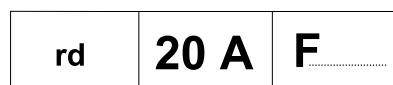
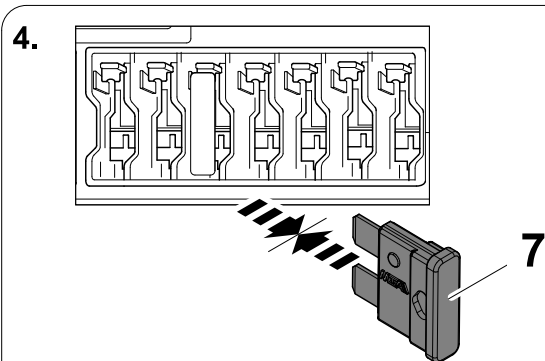
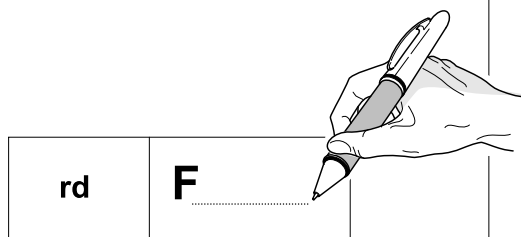
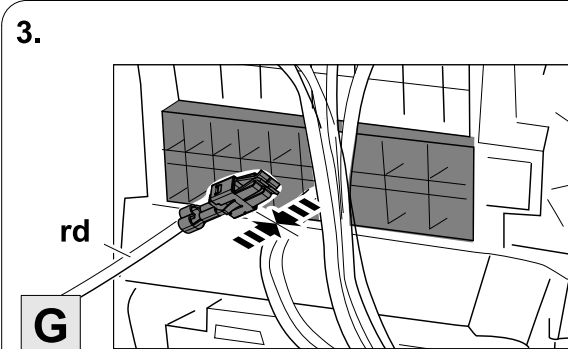
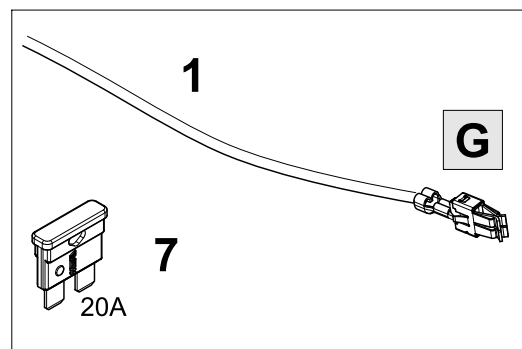
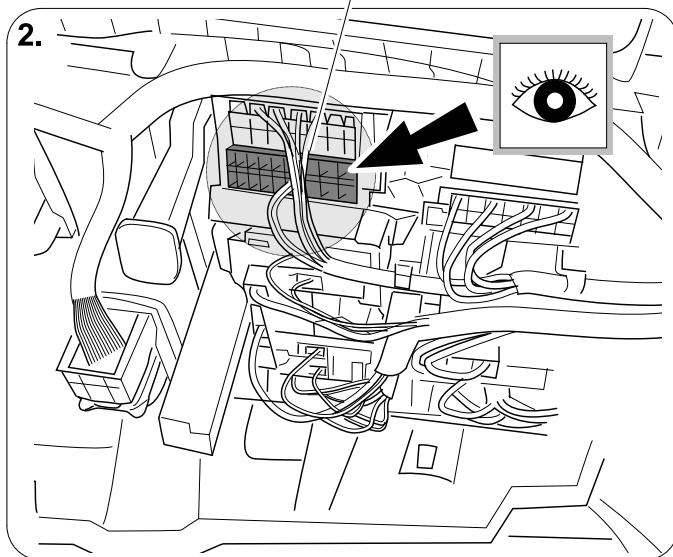
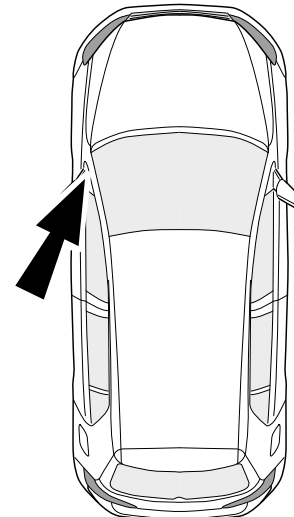
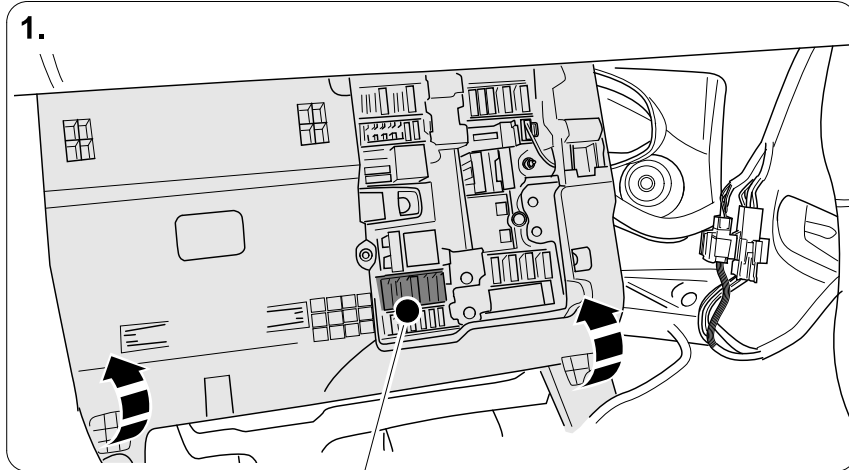


11



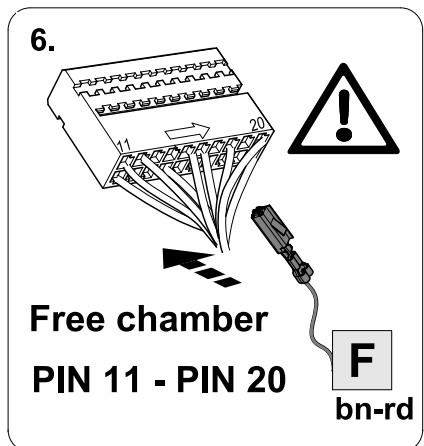
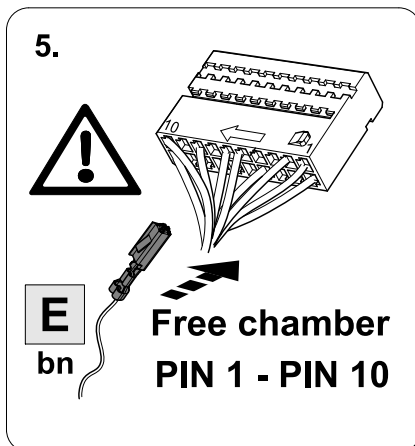
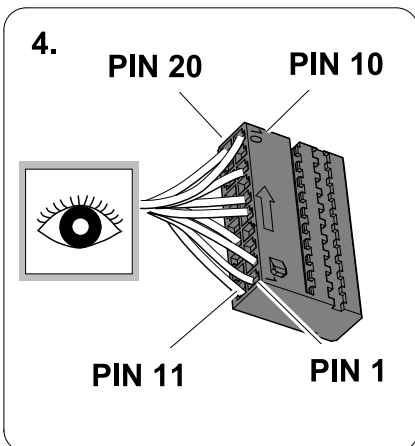
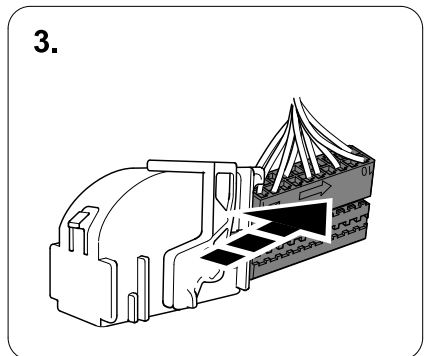
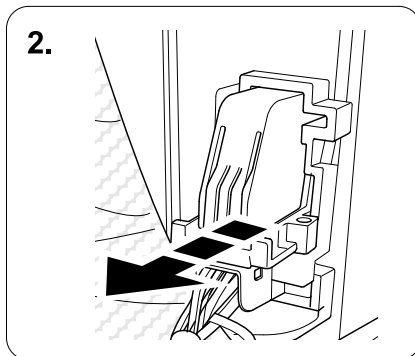
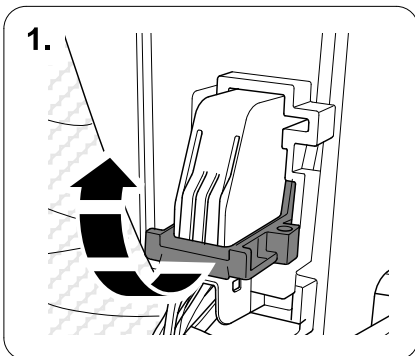
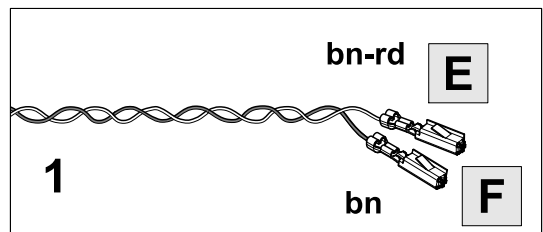
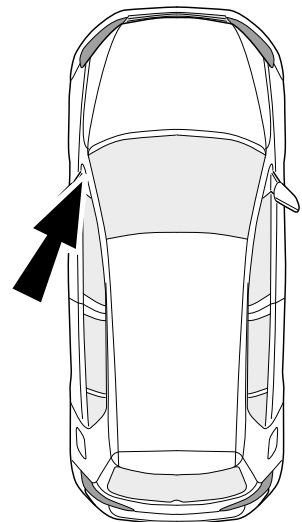






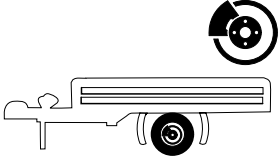


CAN

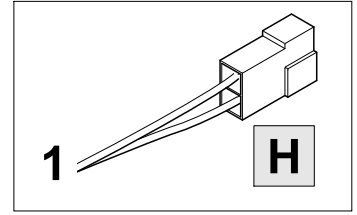




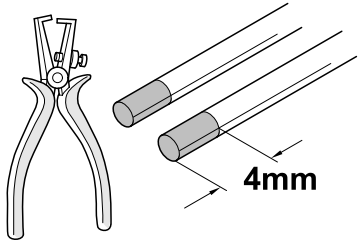
**BRAKE  
CONTROLLER  
PREPARED**



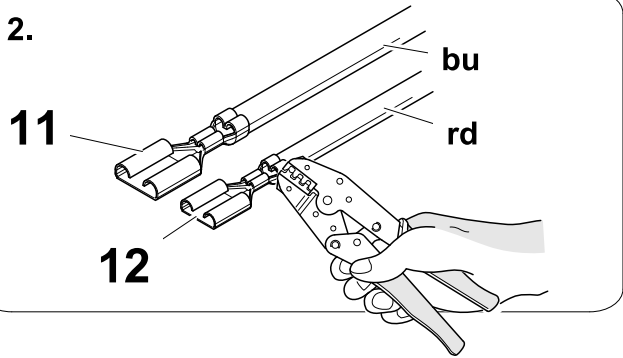
### Trailer Brake Preparation



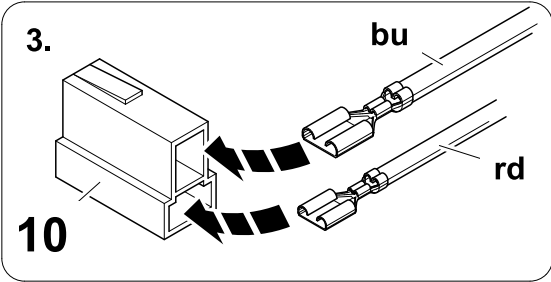
1.



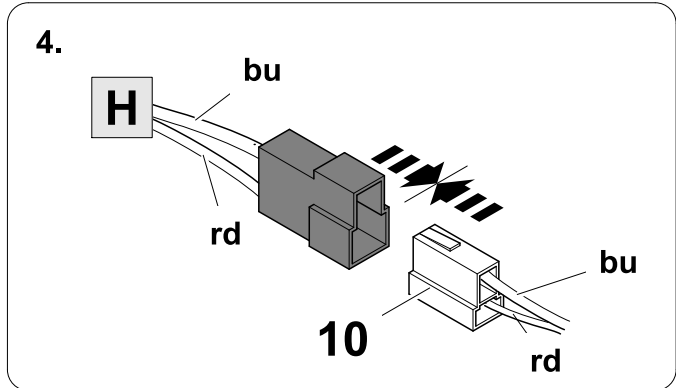
2.



3.



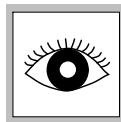
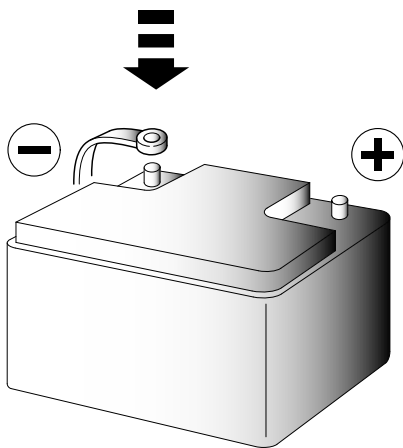
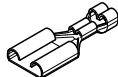
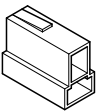
4.



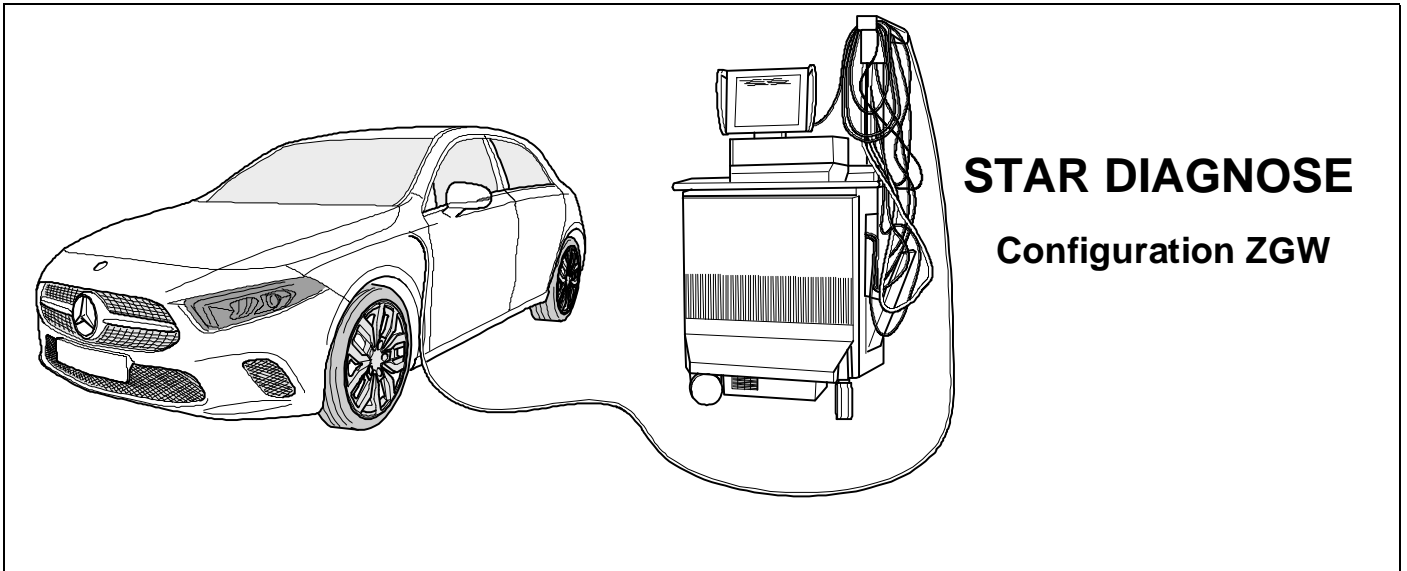
10

11

12

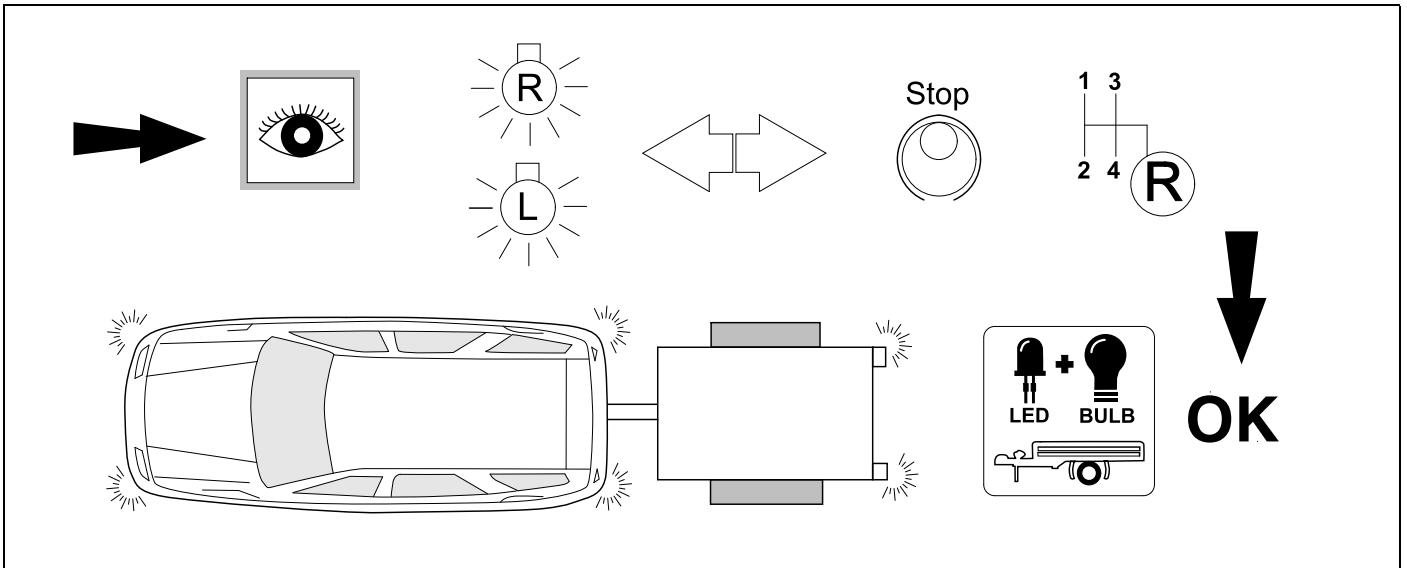


17



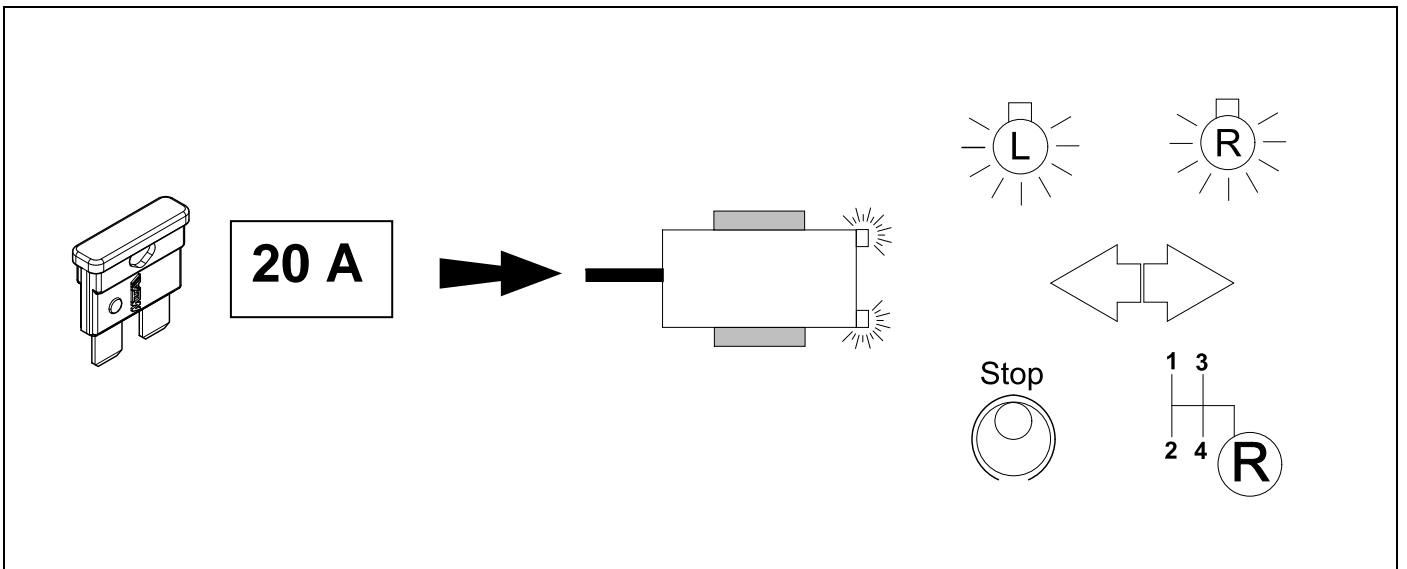
18

### CHECK ALL LIGHTING FUNCTIONS



19

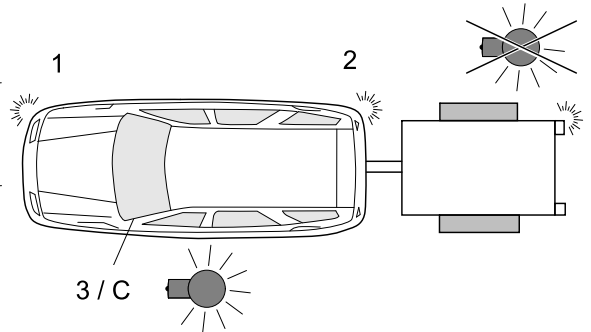
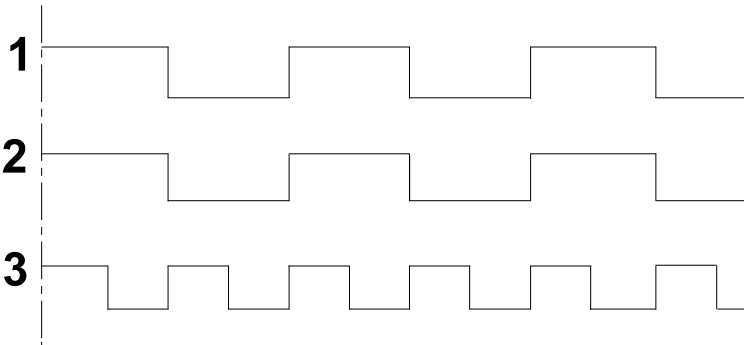
 ⇒ 13



20

# CHECK BULB OUT DETECTION

BULB OUT CONDITION INDICATED WITH INCREASED INDICATOR FREQUENCY



21

Service 2x 10

Service

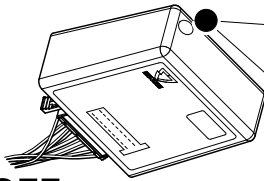
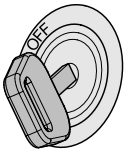
Service

Service

Diagnostics Trailermodule:  
Refer to the E-Kit filling instruction

# Status LED for self-diagnosis

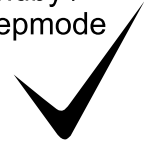
## Operation support



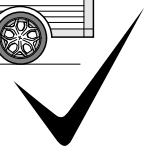
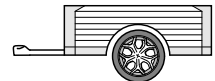
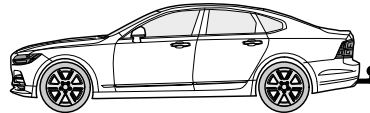
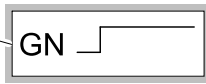
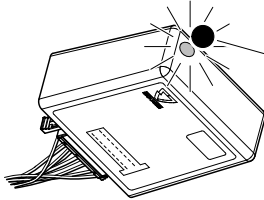
No CAN-Data =



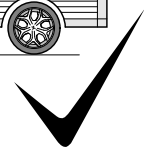
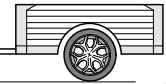
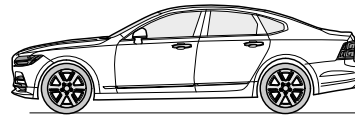
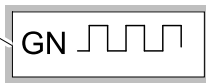
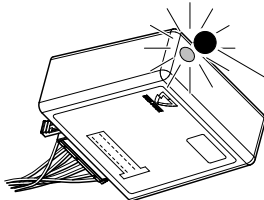
Standby / Sleepmode



Ignition OFF



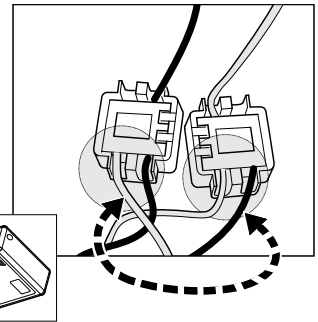
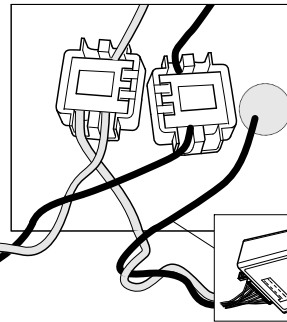
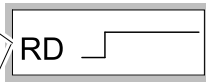
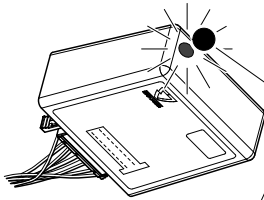
Ignition ON



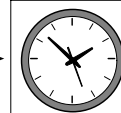
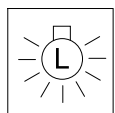
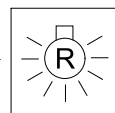
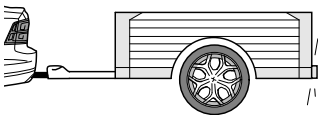
Ignition ON

## Failure support

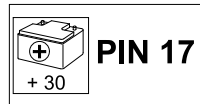
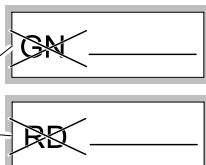
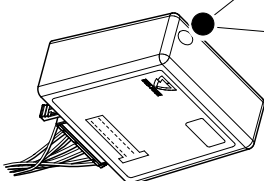
Check CAN-Data Wire



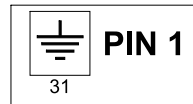
Ignition ON



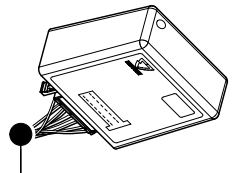
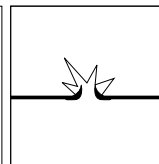
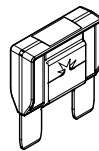
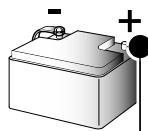
1x max 5 min.

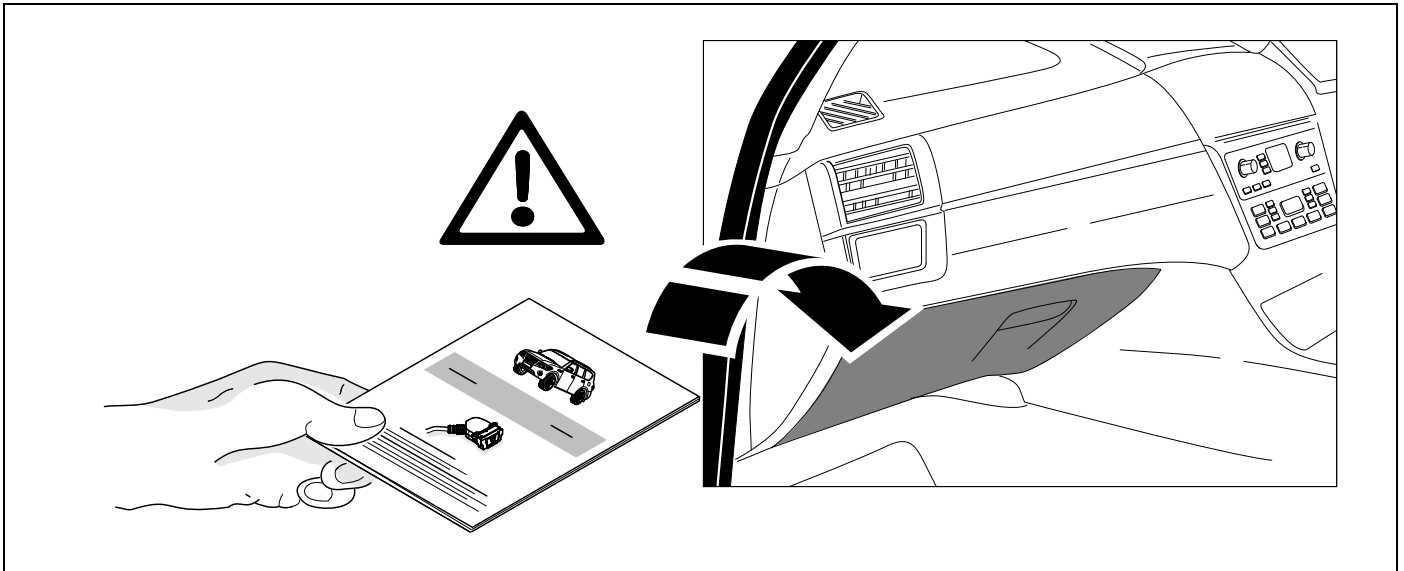


oder / or



Ignition ON





Subject to change in terms of construction, equipment and colour, and may contain errors.

The information and illustrations are non-binding.