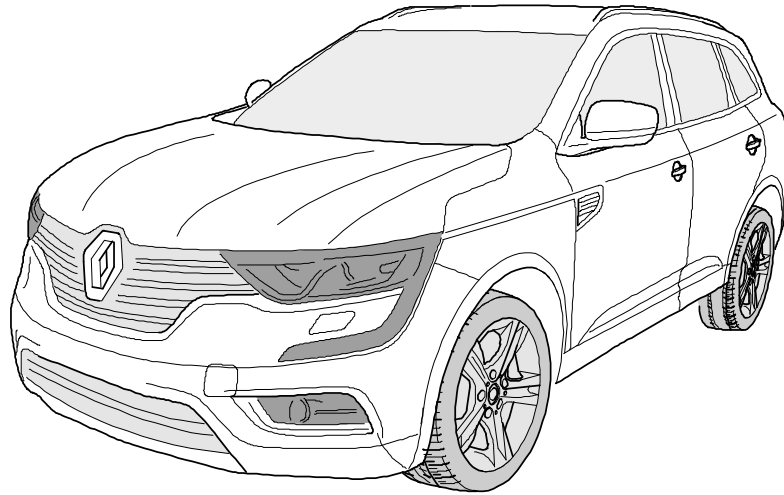




ERICH JAEGER

# Installation instructions



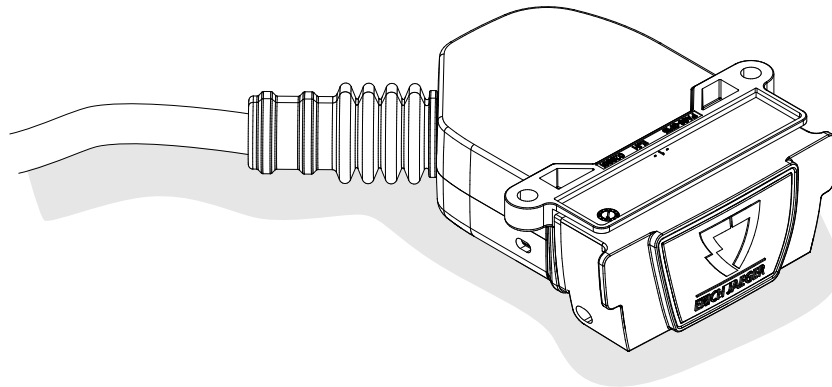
## 750114

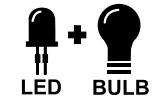



## RENAULT Koleos II

## 03/17 >>



SCAN FOR  
LATEST  
INSTRUCTIONS



 <p>LED BULB</p>	<p>BRAKE CONTROLLER PREPARED</p> 	<p>WATERPROOF SOCKET INCLUDED</p>  <p>WEATHERLOCK™</p>	<p>MADE TOUGH WITH FIBERCORE™ TECHNOLOGY</p> 
---	--	---	--

### Reference:

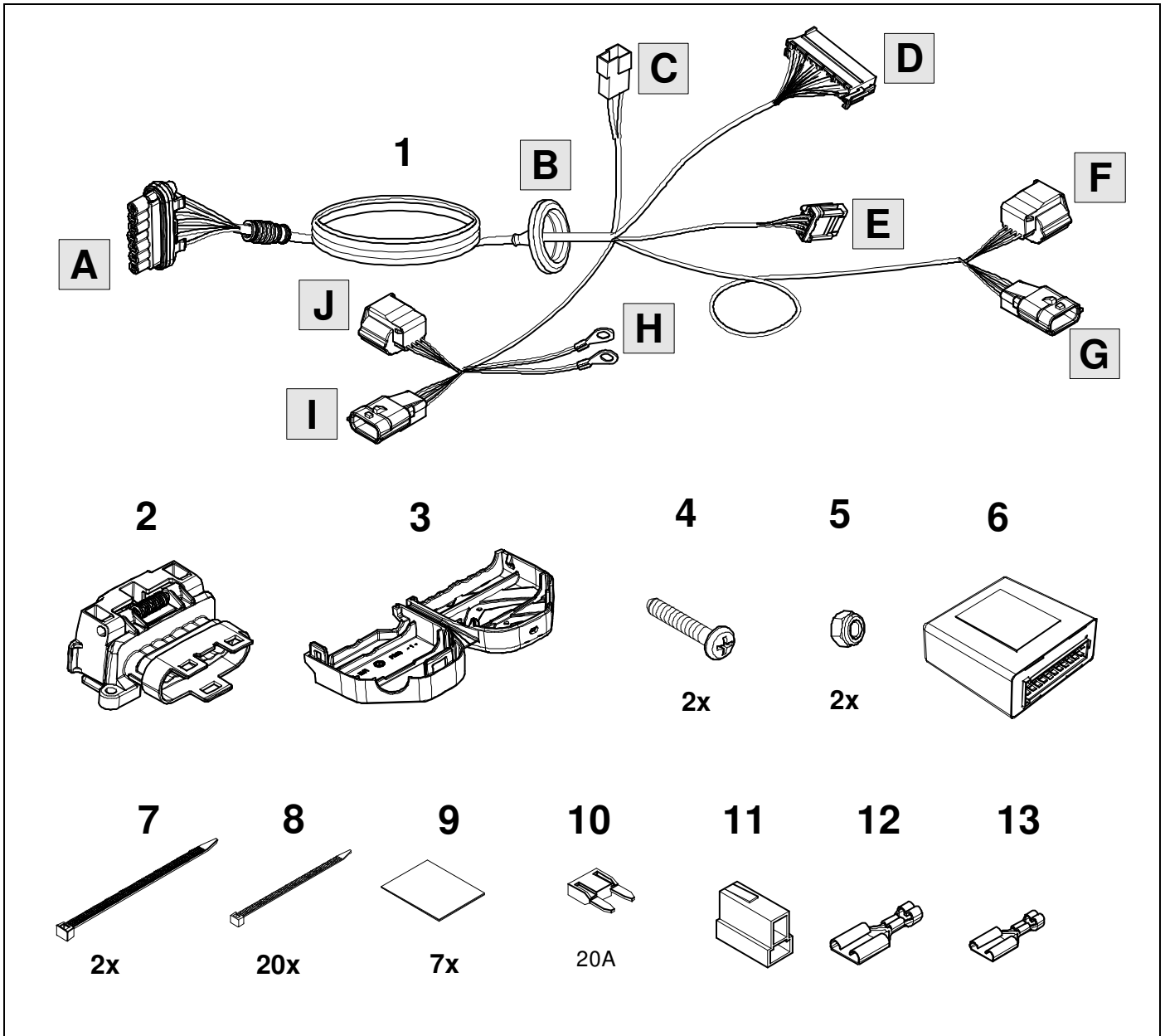
The following information must be reviewed before beginning the assembly:

- The installation instructions are to be thoroughly read.
- The installation should be carried out by qualified personnel with the relevant technical knowledge.
- The vehicle manufacturers' current technical notices and information on retrofitting must be followed.
- The removal and replacement instructions found in the current repair manuals must be followed.
- It must be ensured that the vehicle is technically suitable for the installation of a trailer hitch.

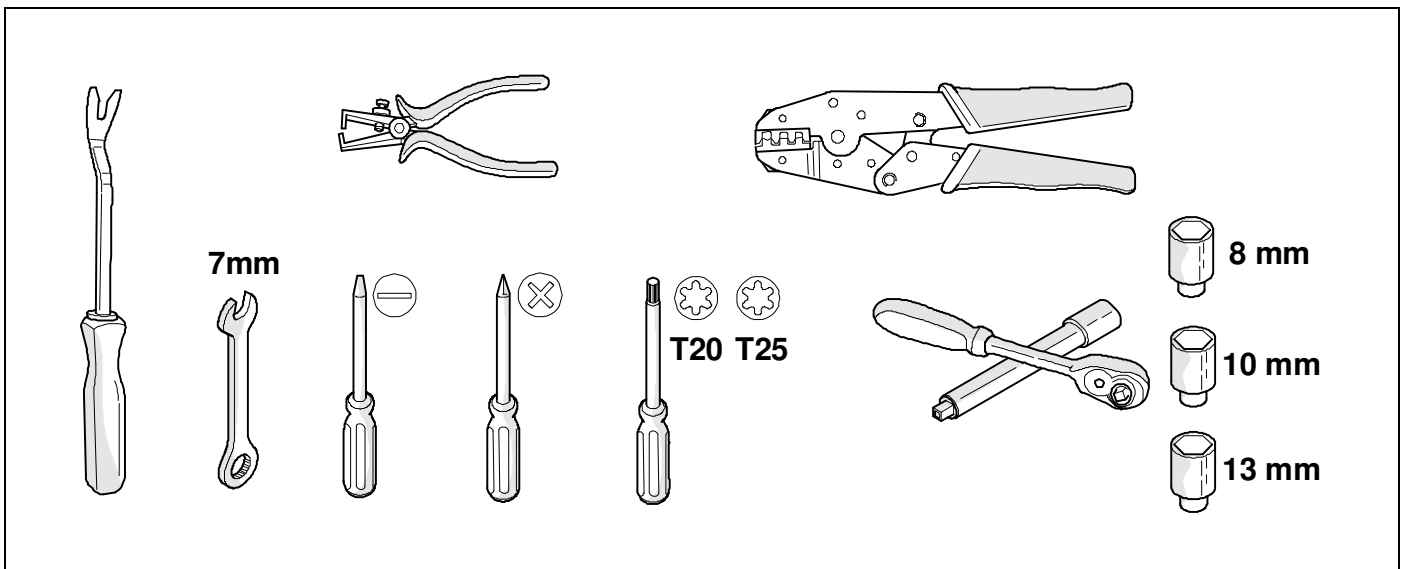
# OVERVIEW



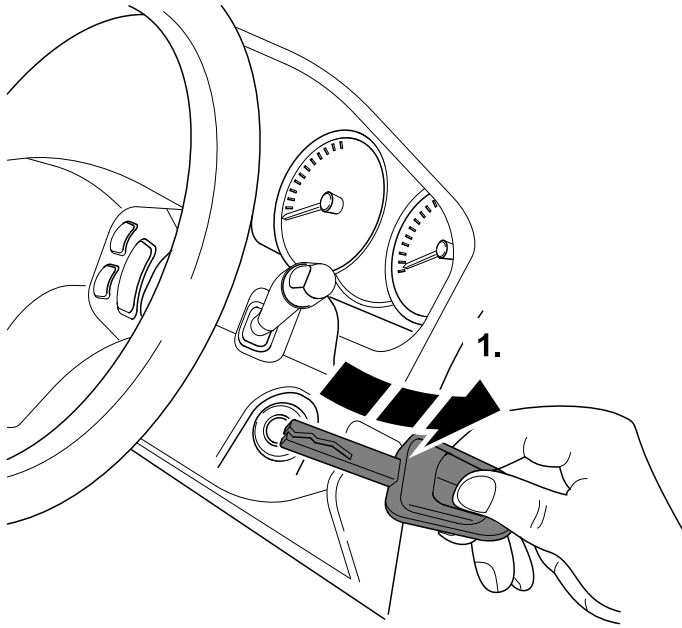
# KIT



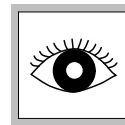
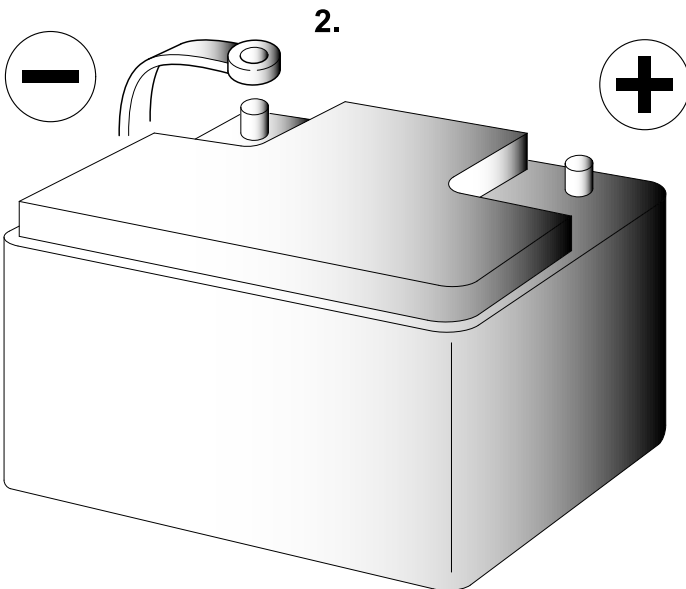
# TOOLS



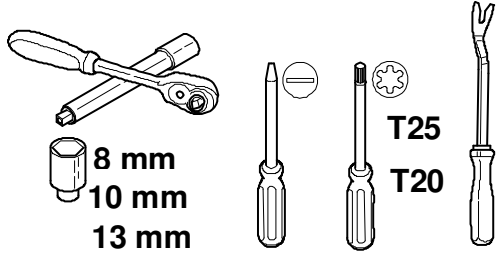
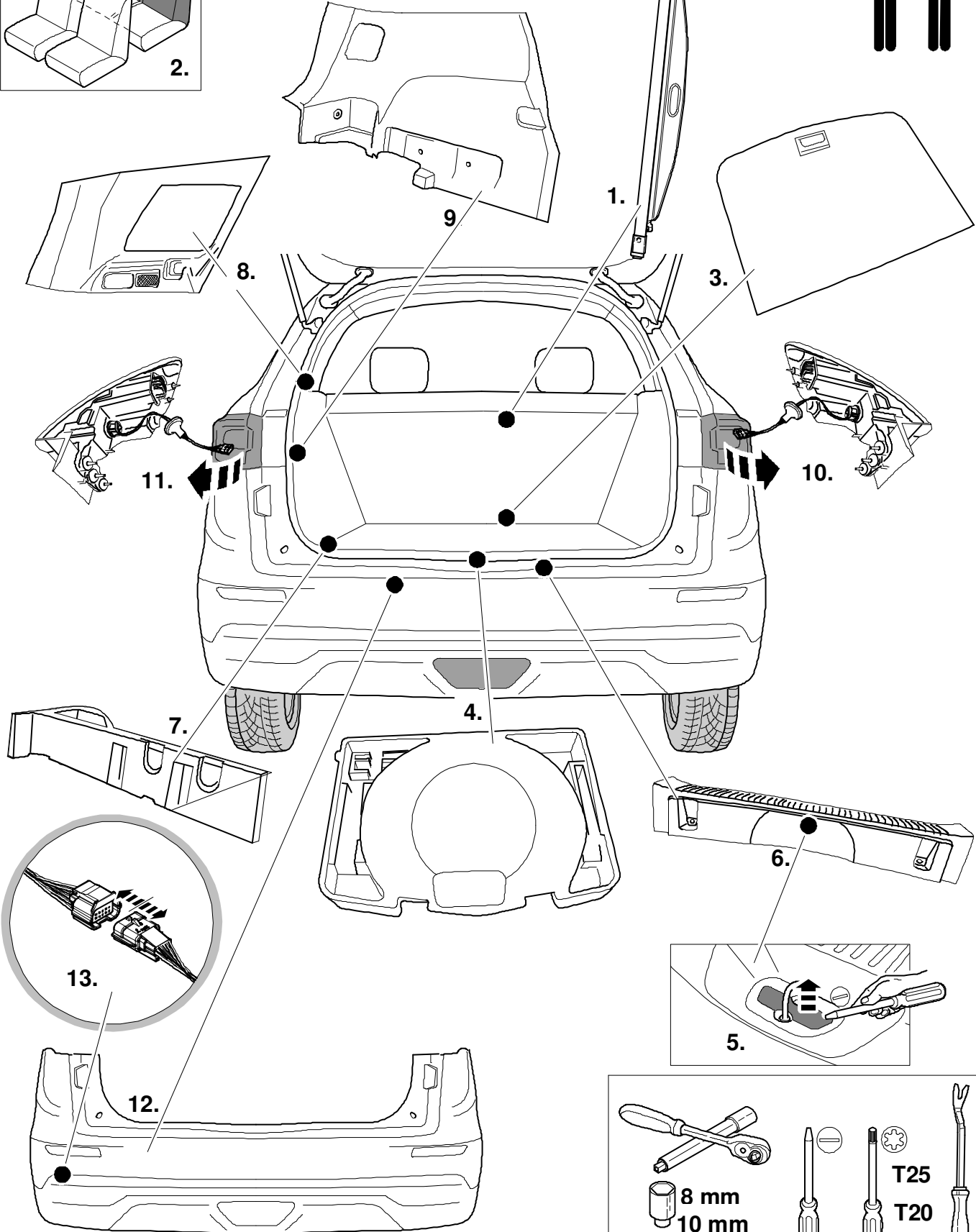
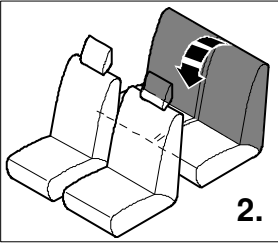
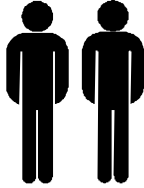
1

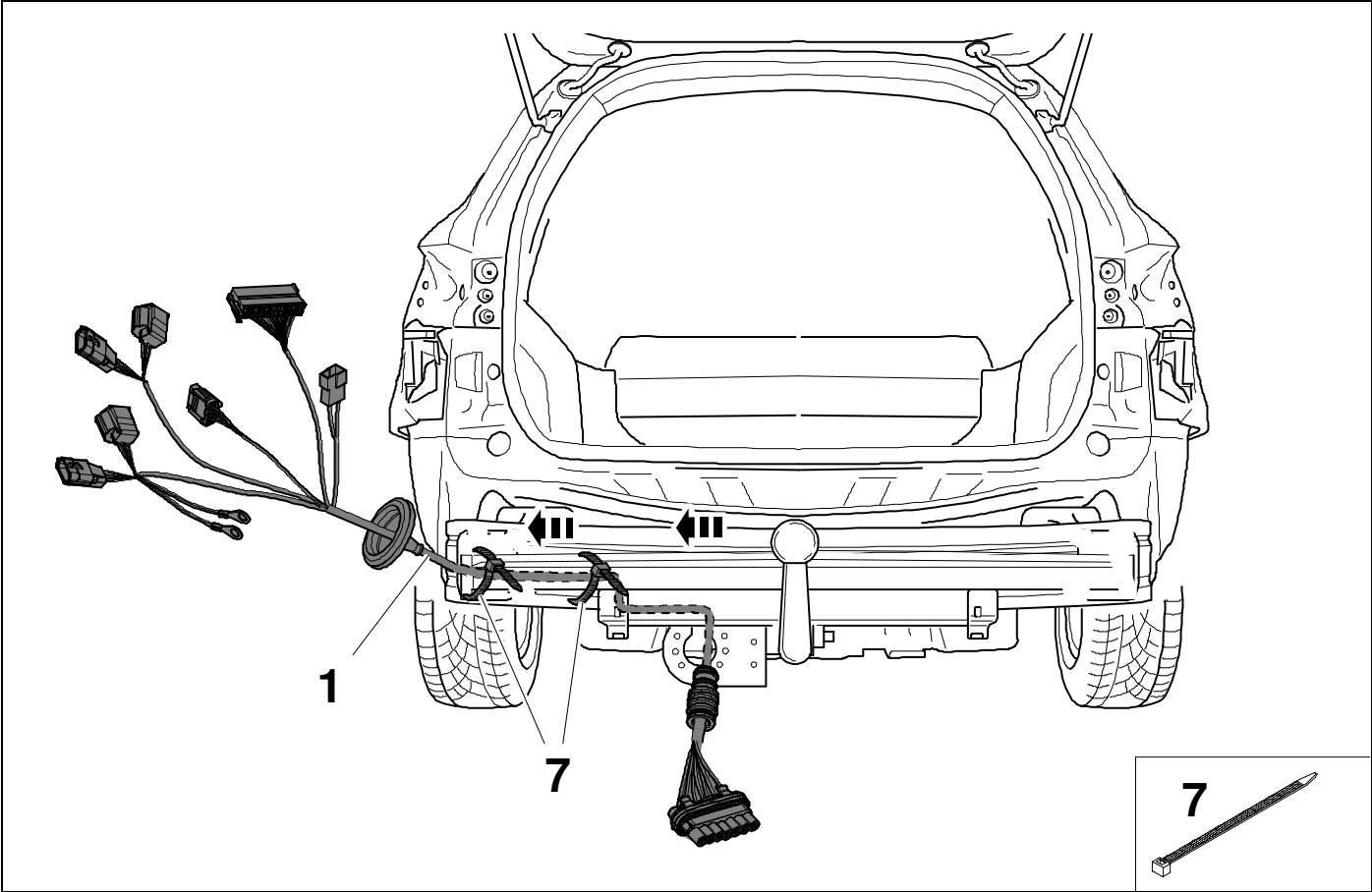


**ATTENTION!**

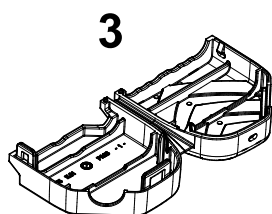
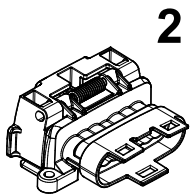
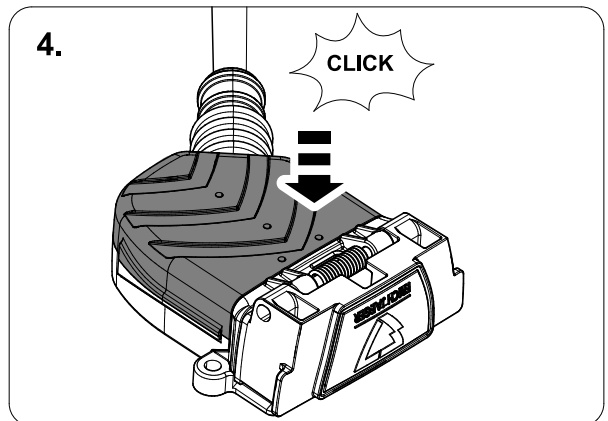
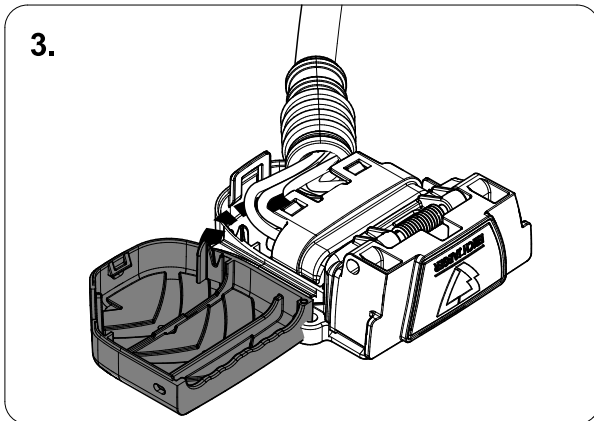
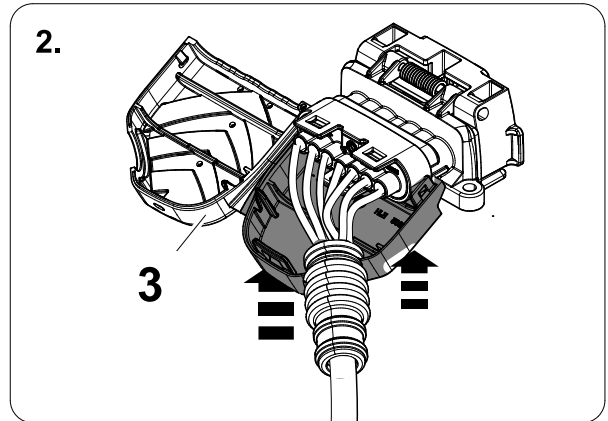
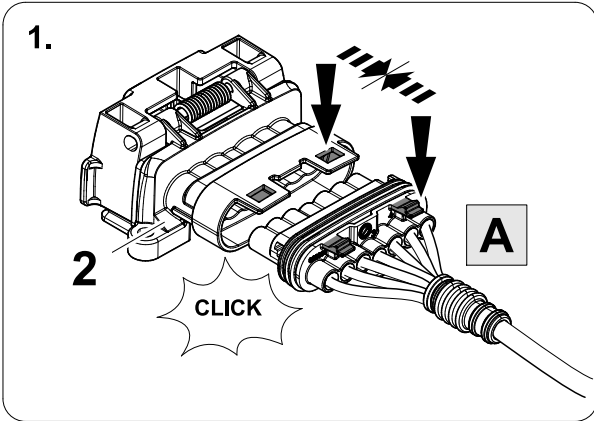


**Be careful! If you don't disconnect the battery, the vehicle will show a lot of error messages in instrument panel!**

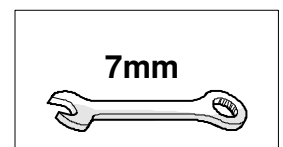
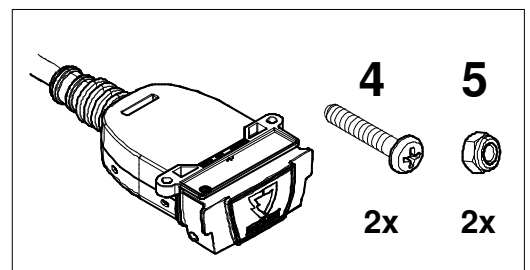
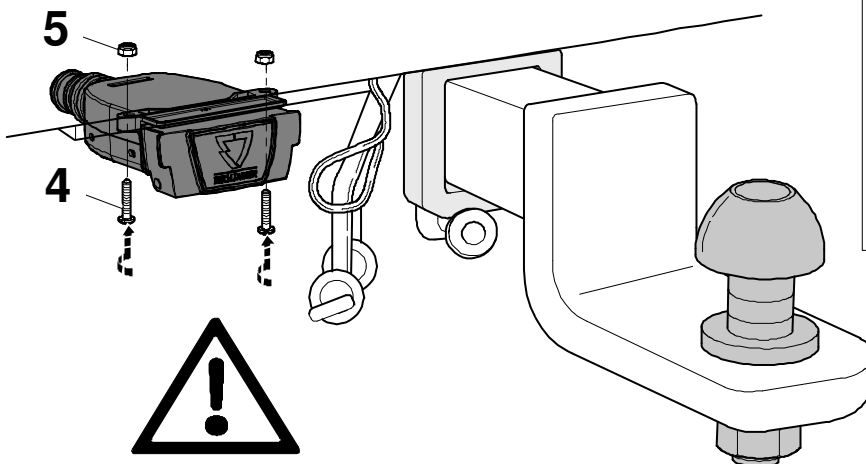




4



5



6



7

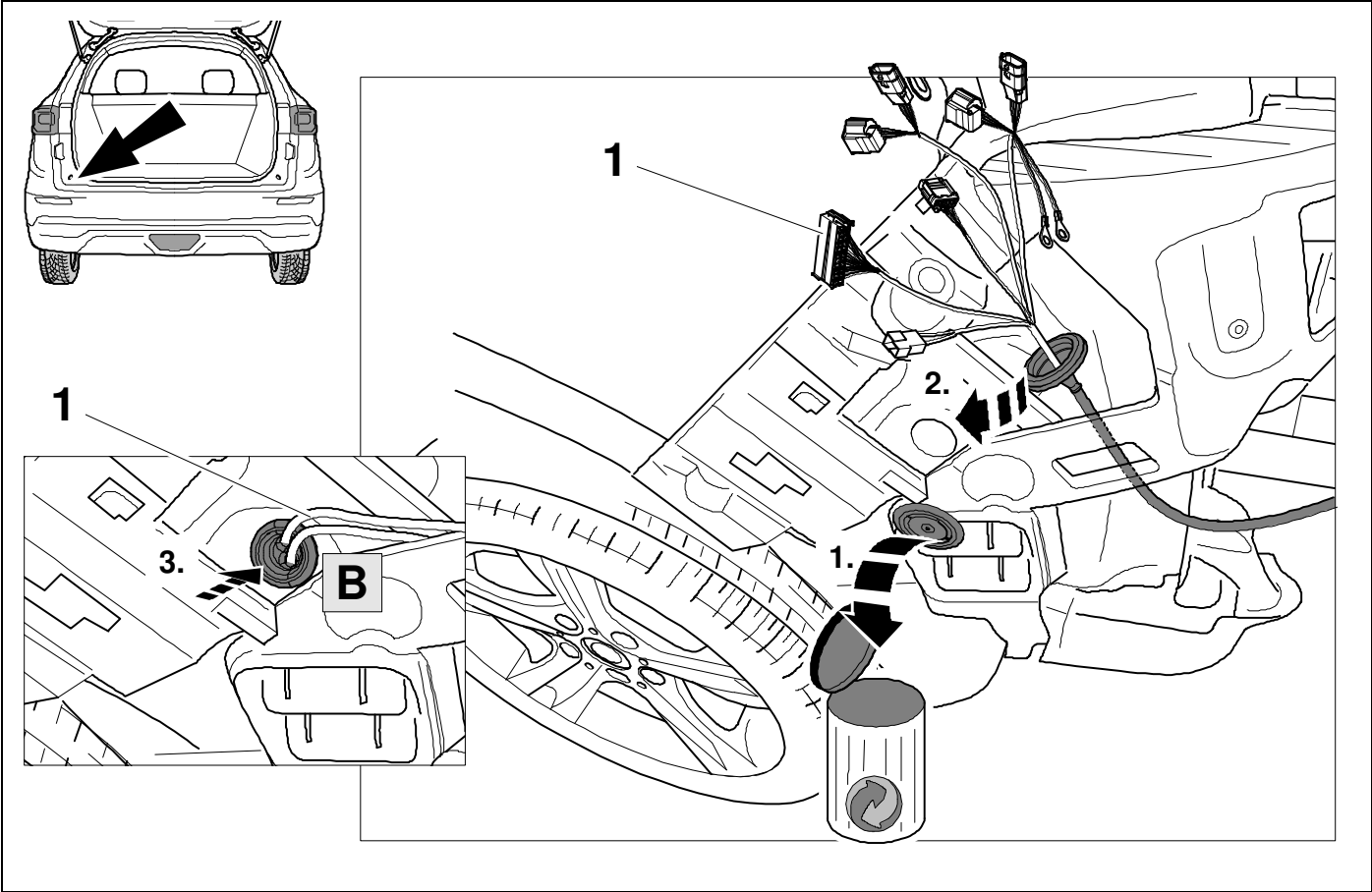
1	ye	
2	bk	
3	wh	
4	gn	
5	bu	
6	rd	
7	bn	

7	bk	wh	gy	gn	rd	bu	ye	bn	pu	or	no
---	----	----	----	----	----	----	----	----	----	----	----

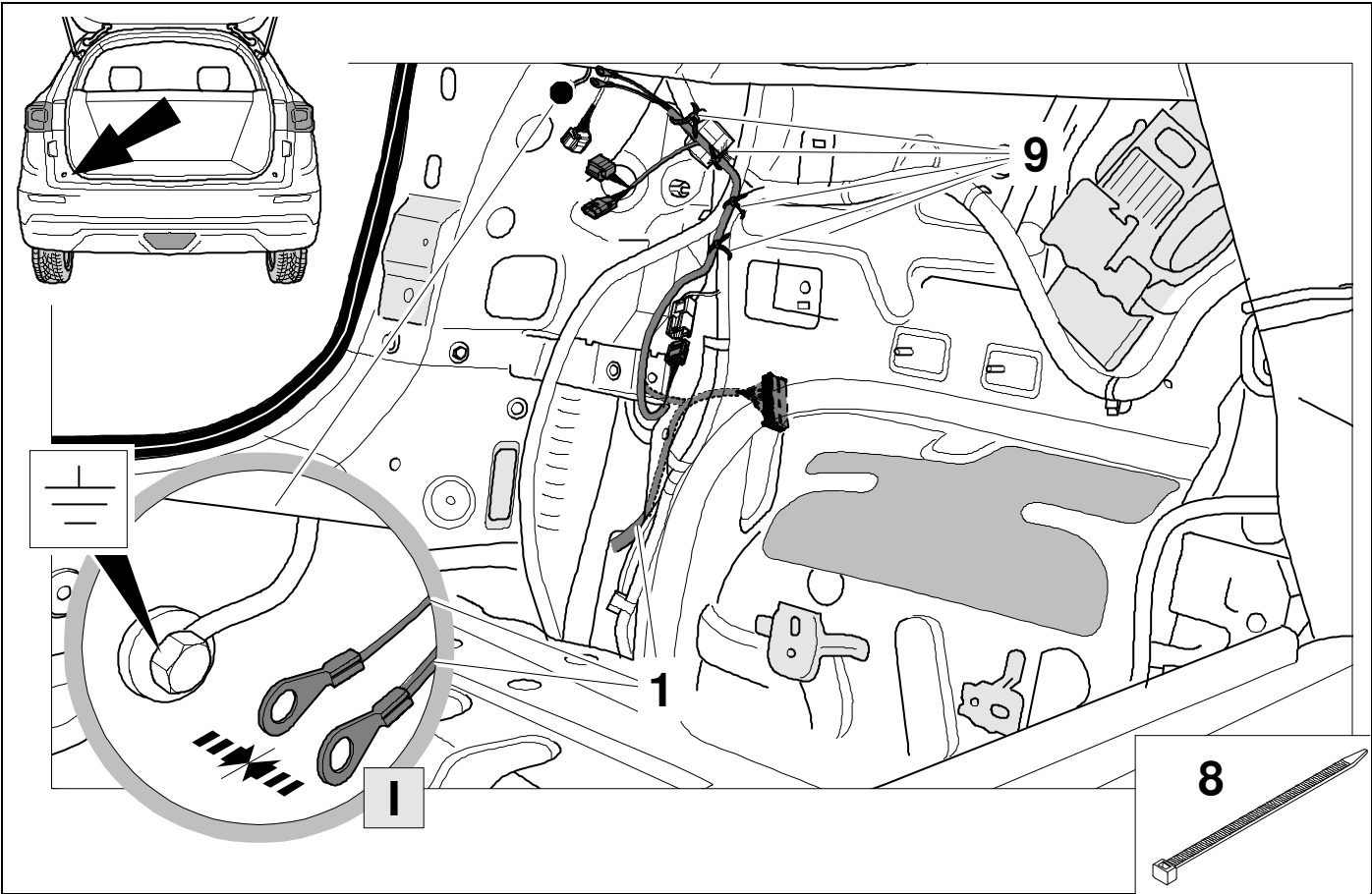
	black	white	grey	green	red	blue	yellow	brown	purple	orange	not occupied
--	-------	-------	------	-------	-----	------	--------	-------	--------	--------	--------------



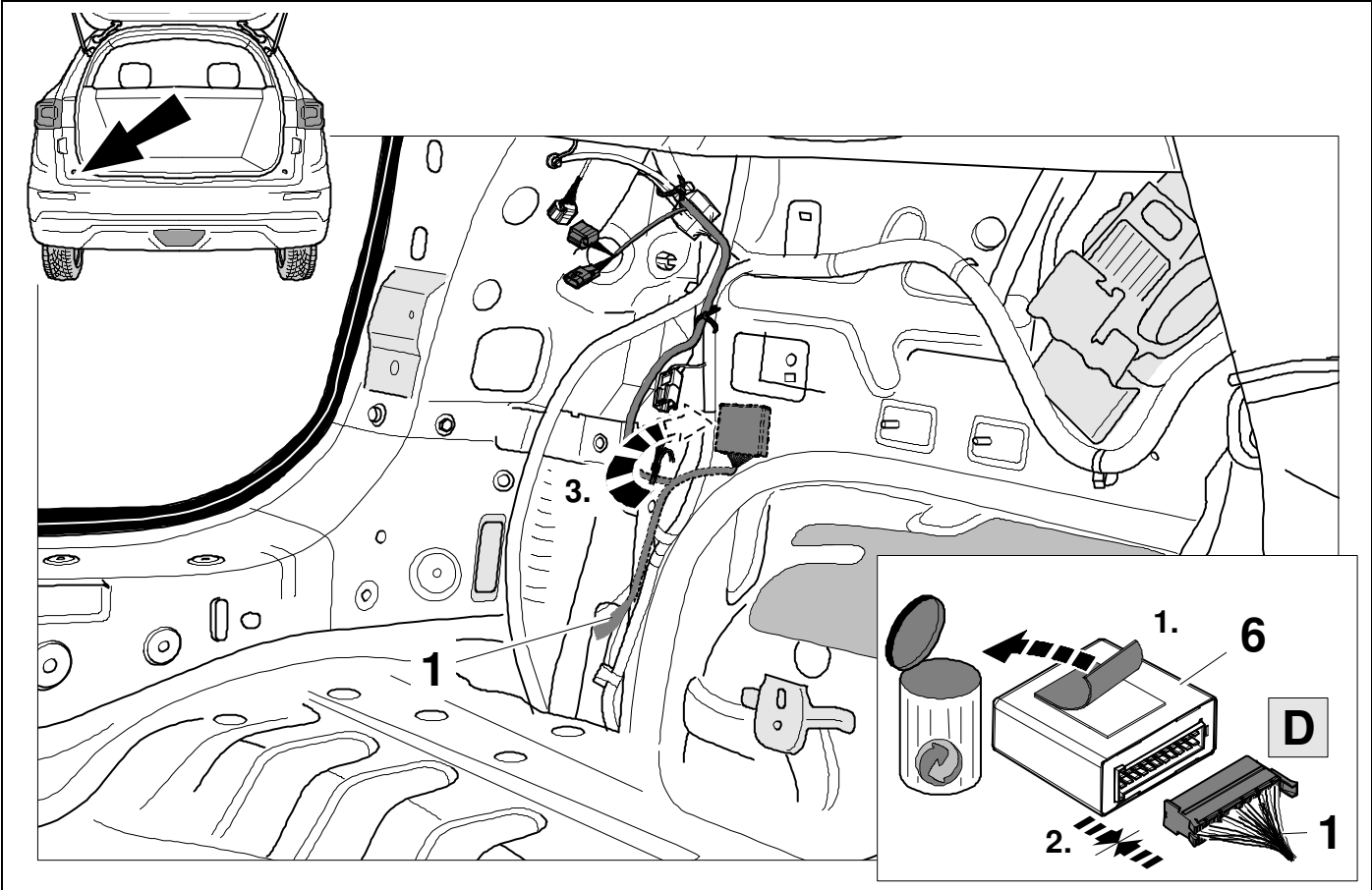
8



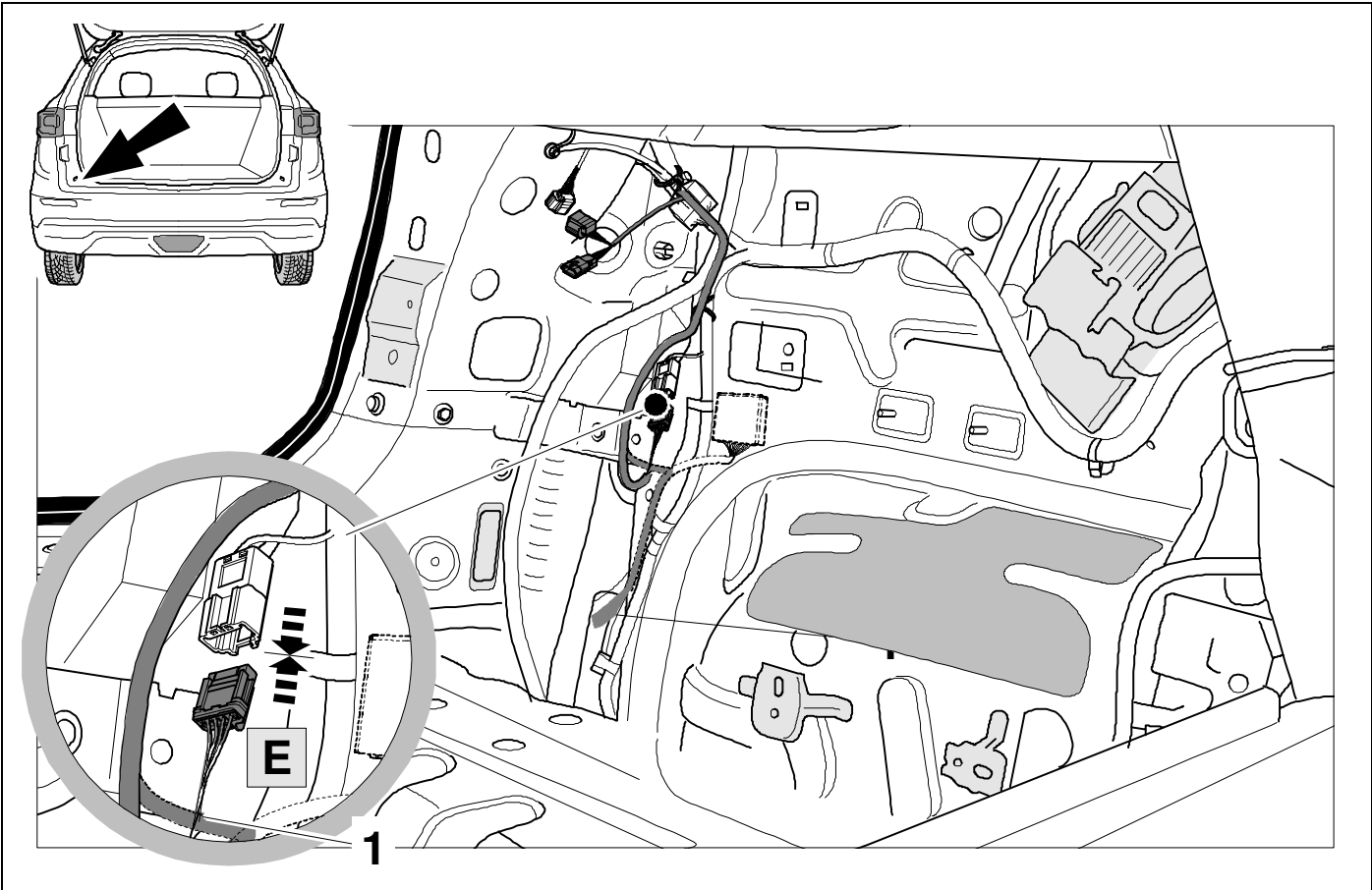
9



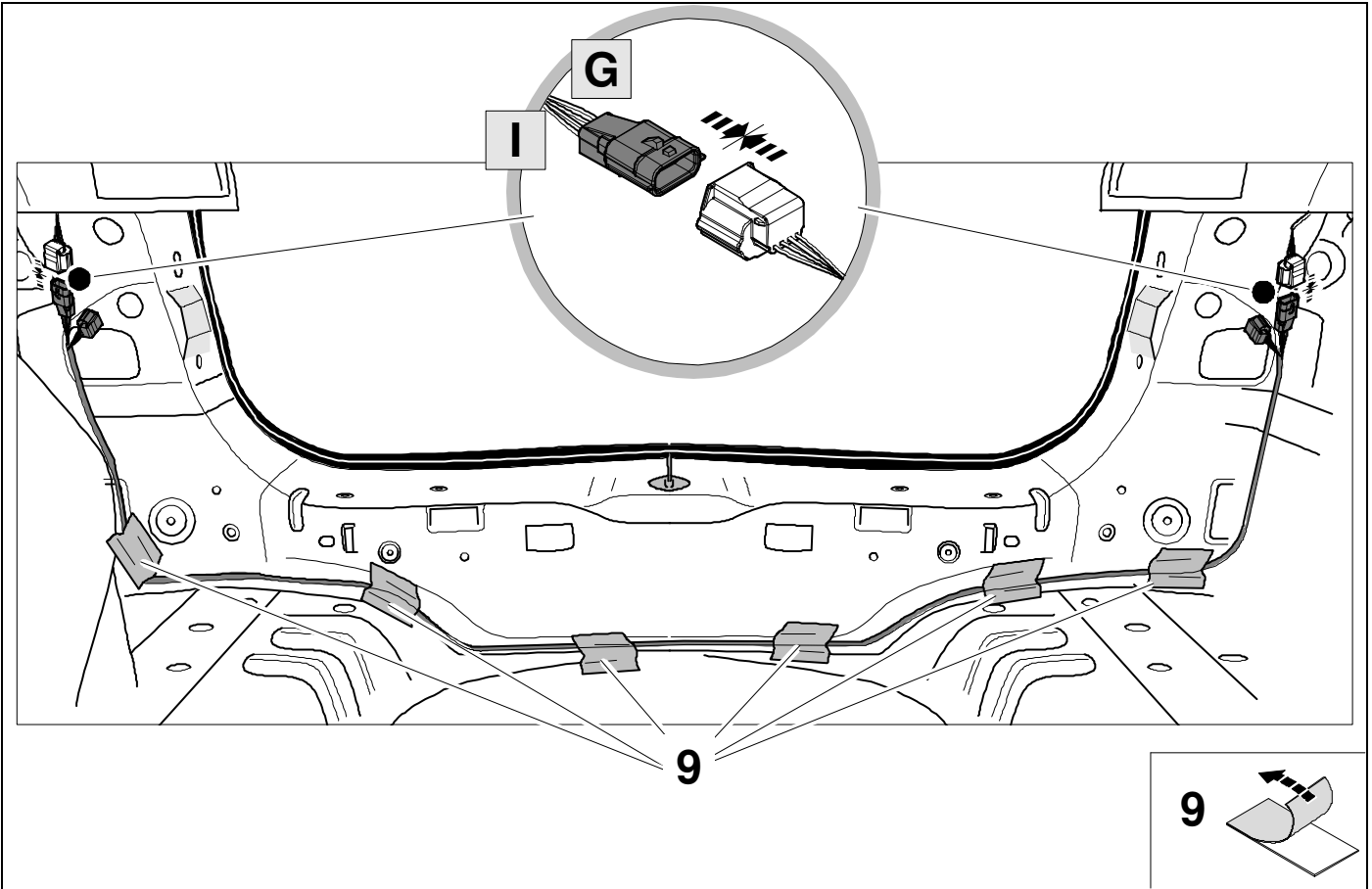
10



11

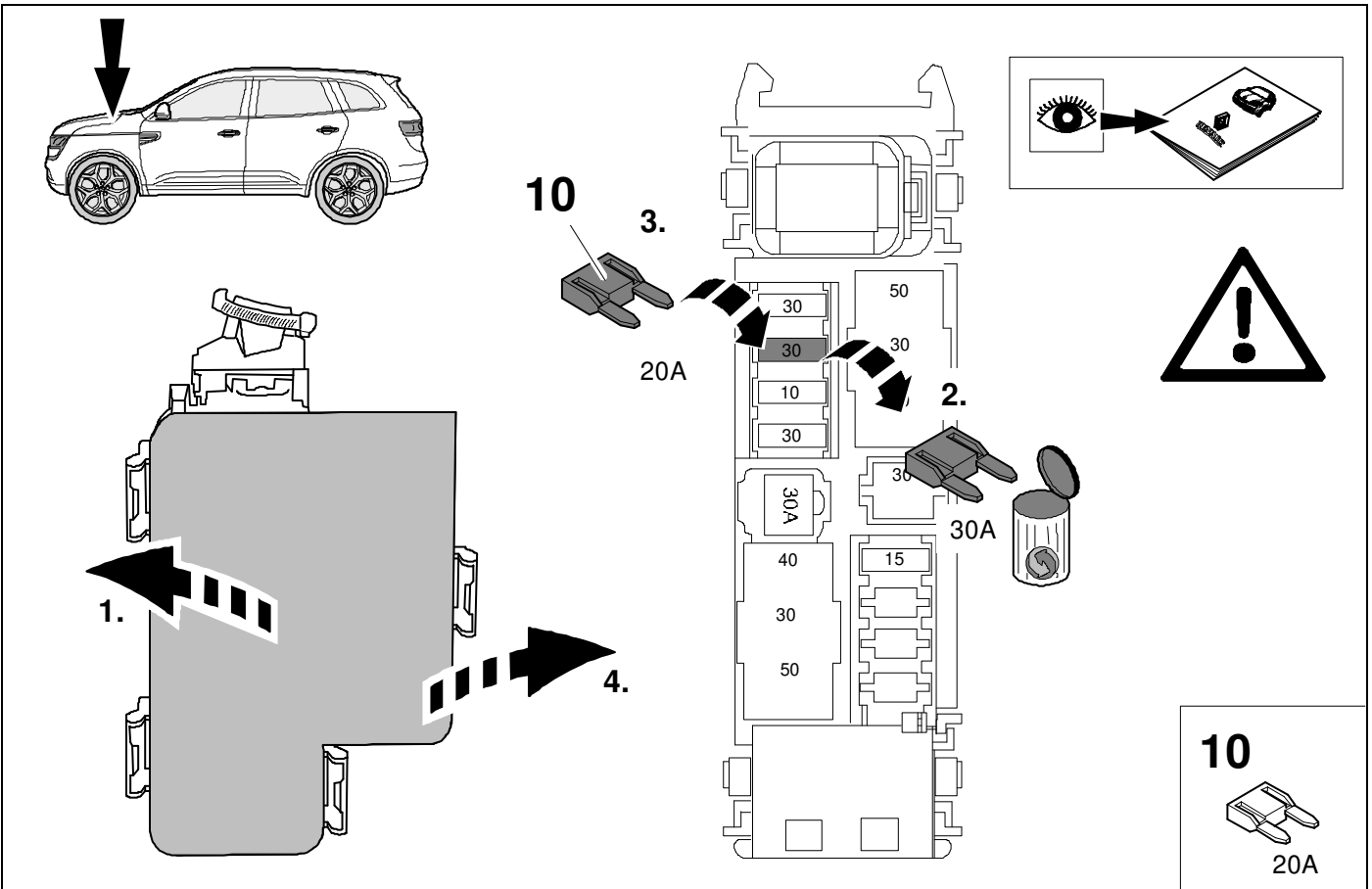


12

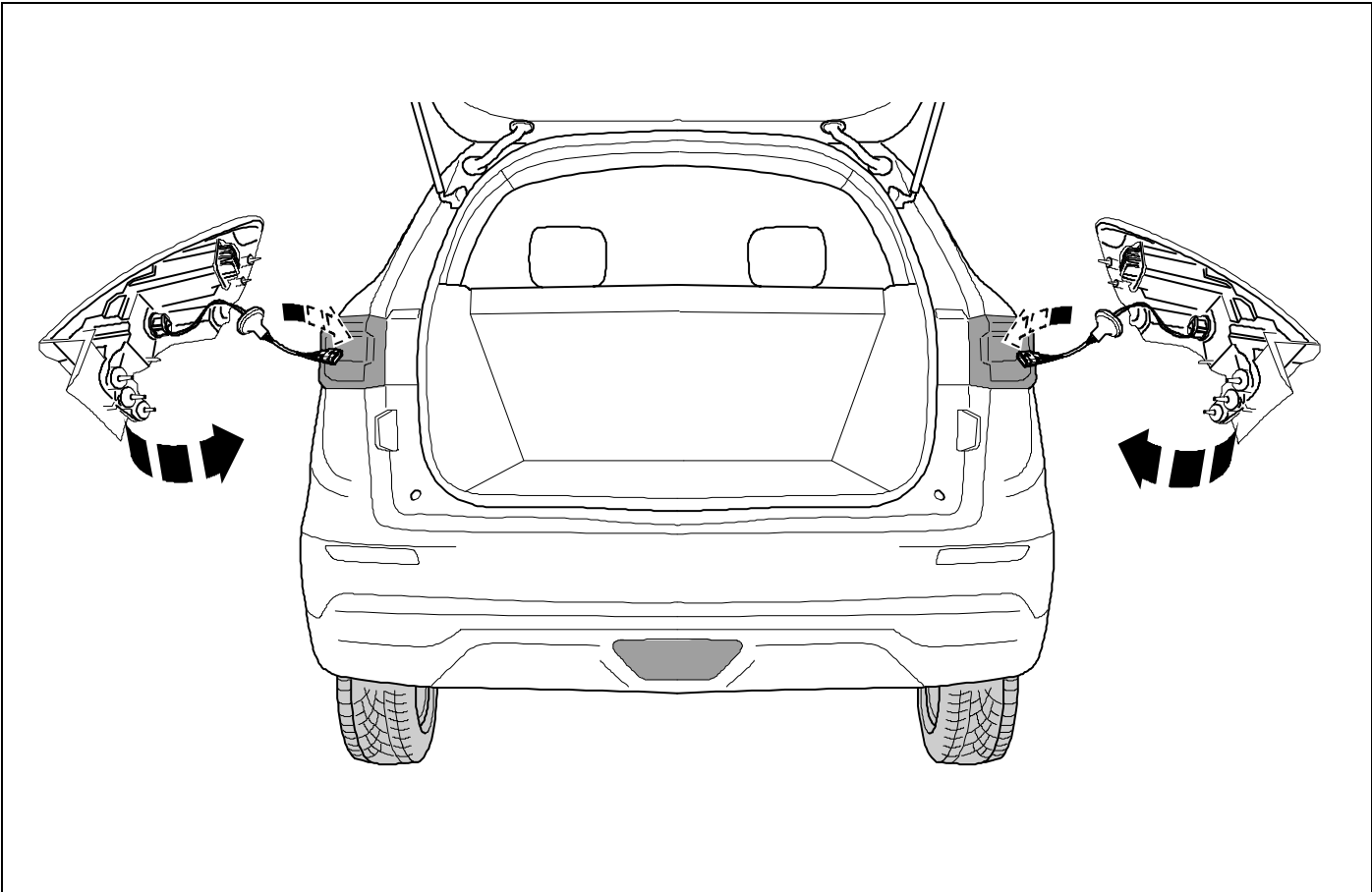


13

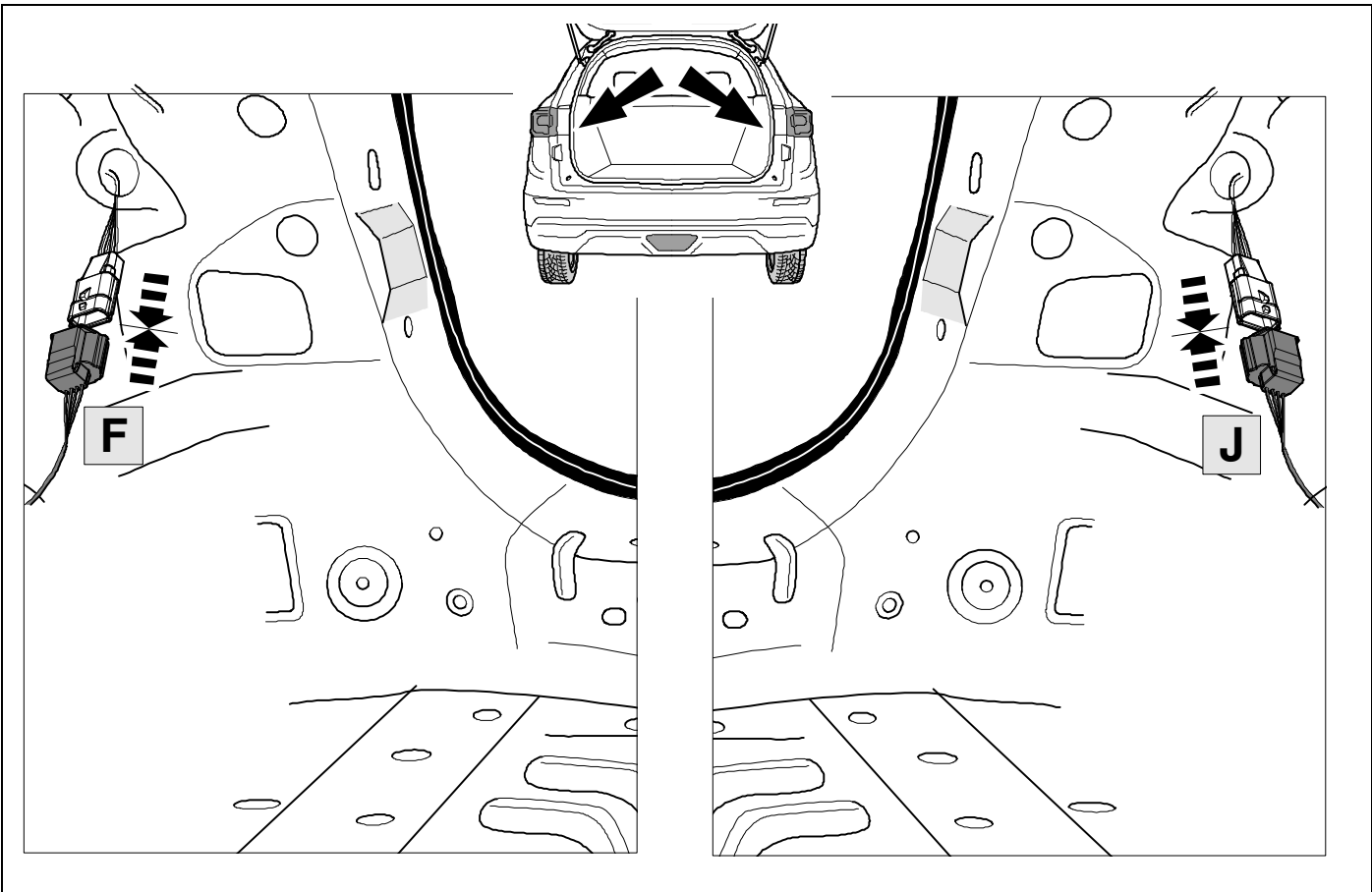
👁️ ⇒ 21



14

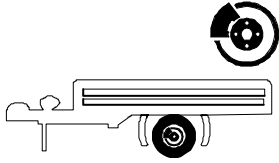


15

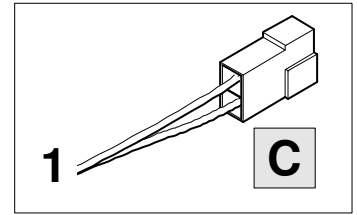




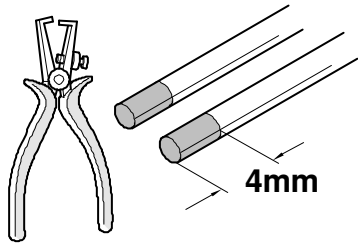
**BRAKE  
CONTROLLER  
PREPARED**



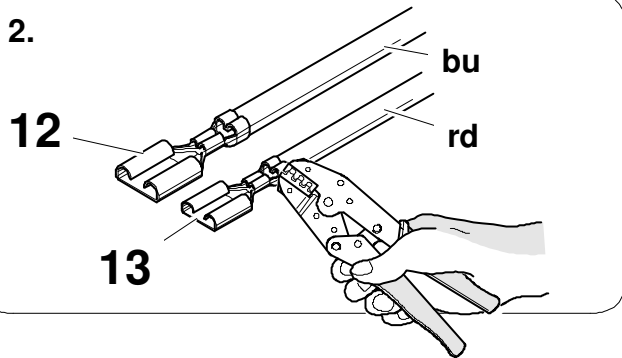
### Trailer Brake Preparation



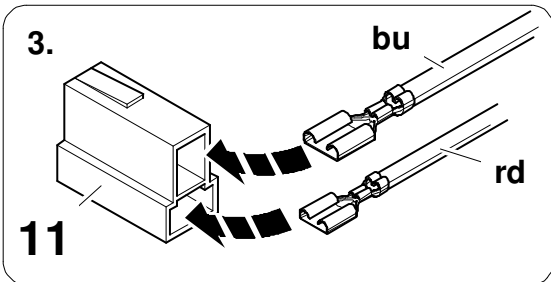
1.



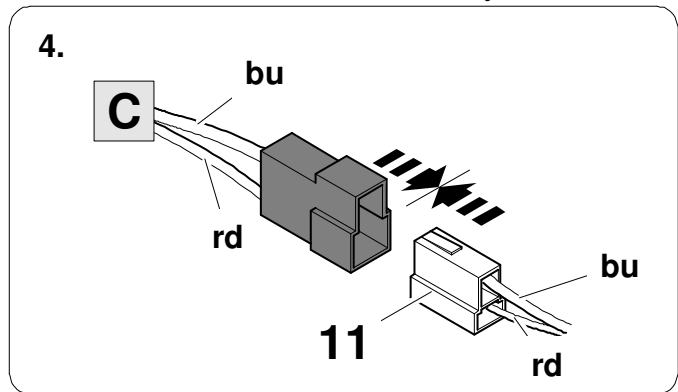
2.



3.



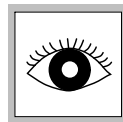
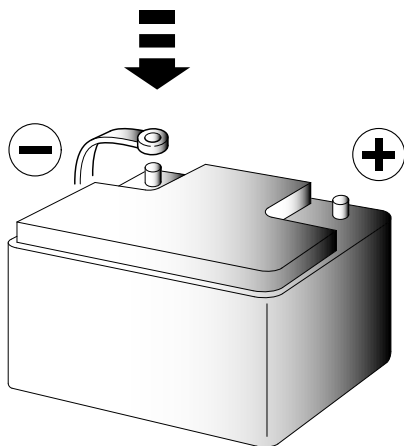
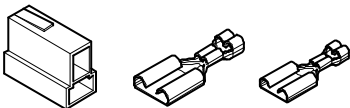
4.



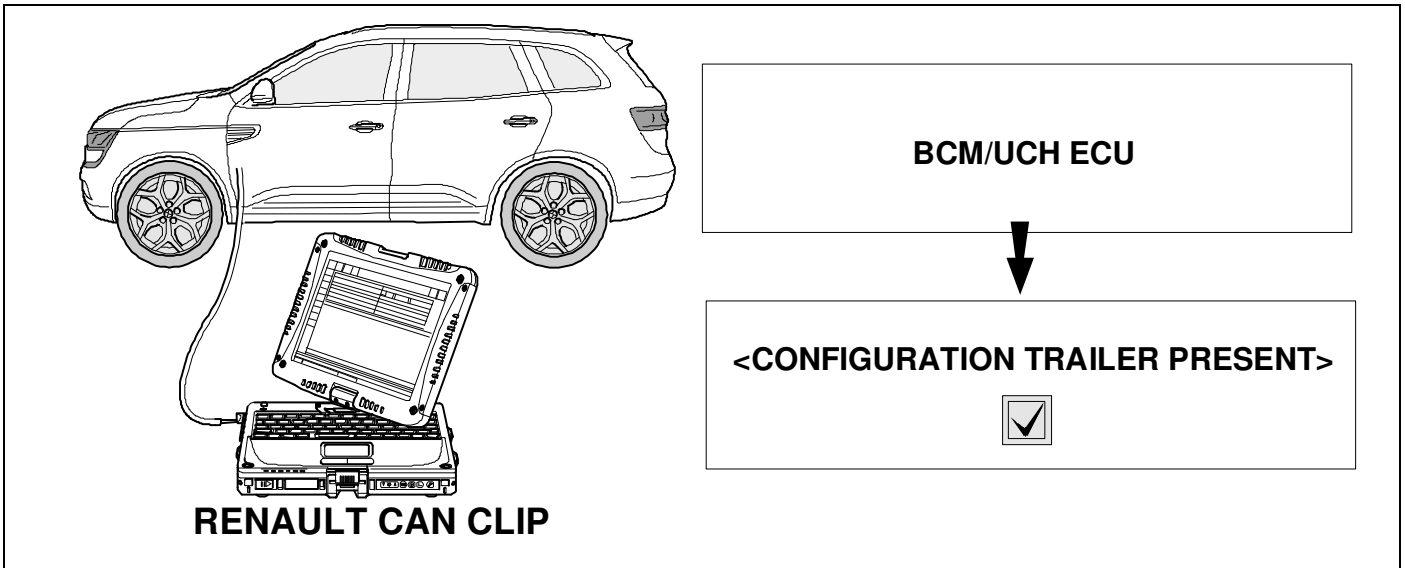
11

12

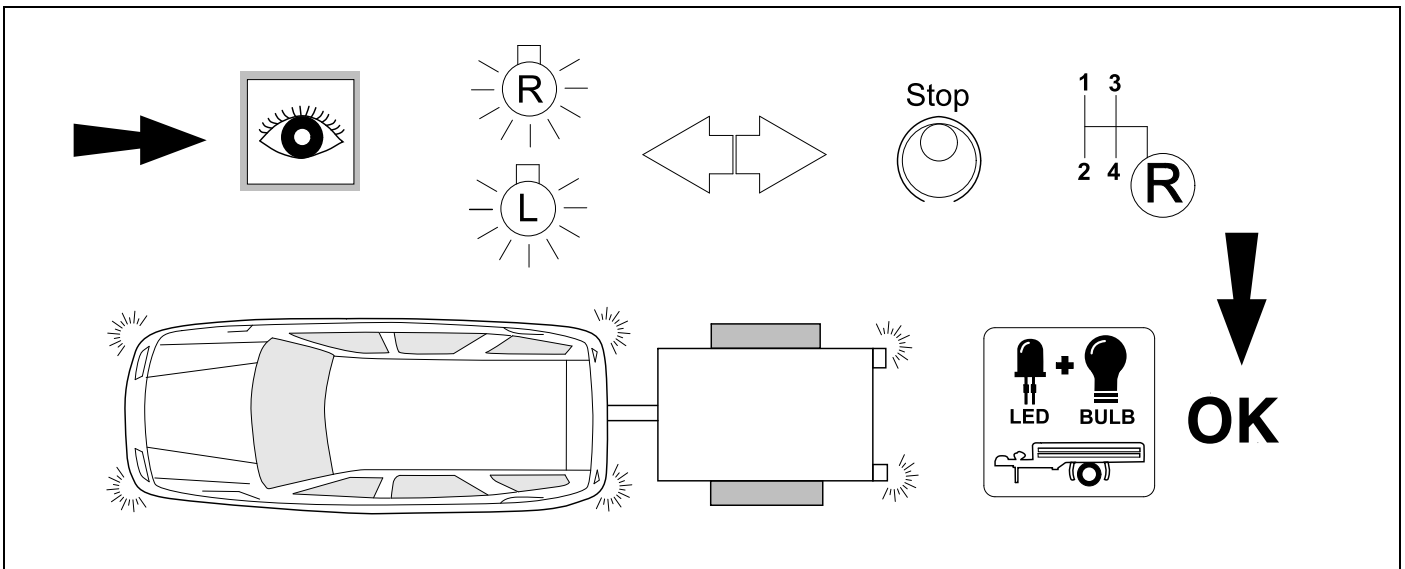
13



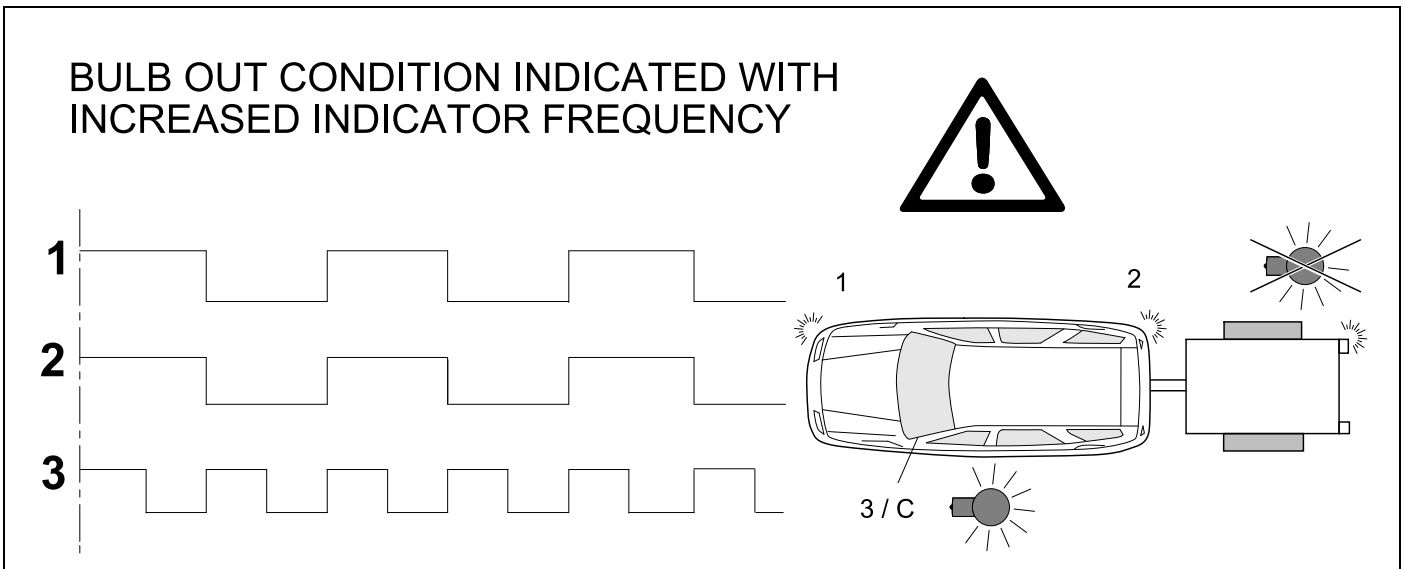
## 18 CODING



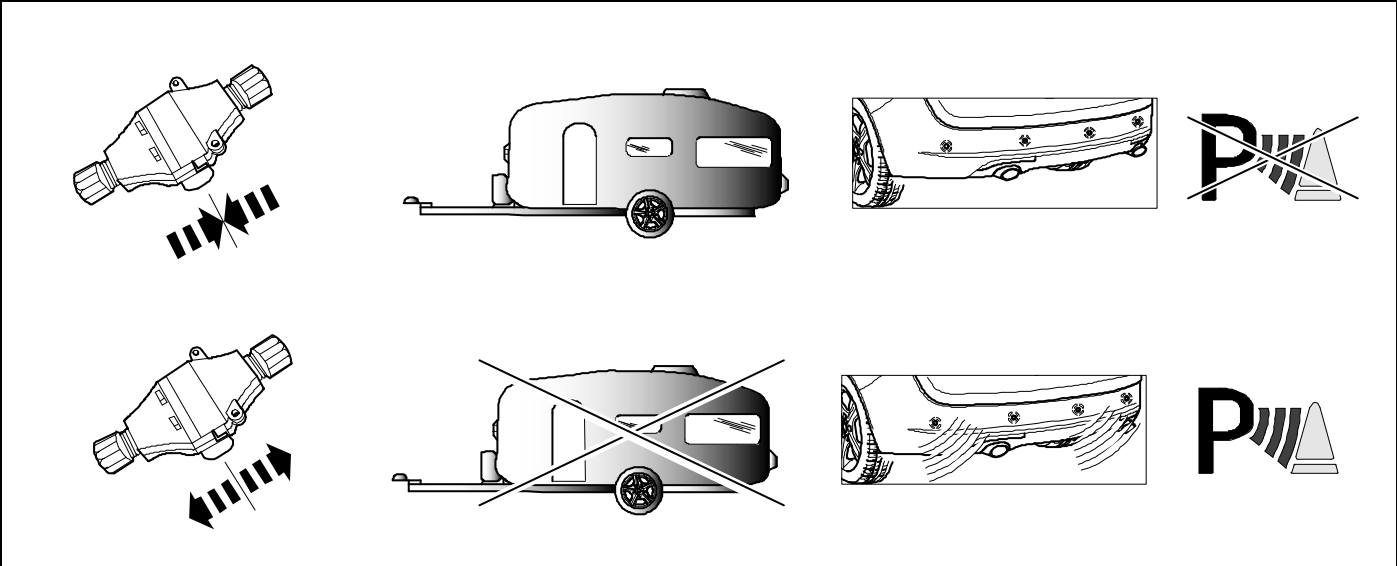
## 19 CHECK ALL LIGHTING FUNCTIONS



## 20 CHECK BULB OUT DETECTION

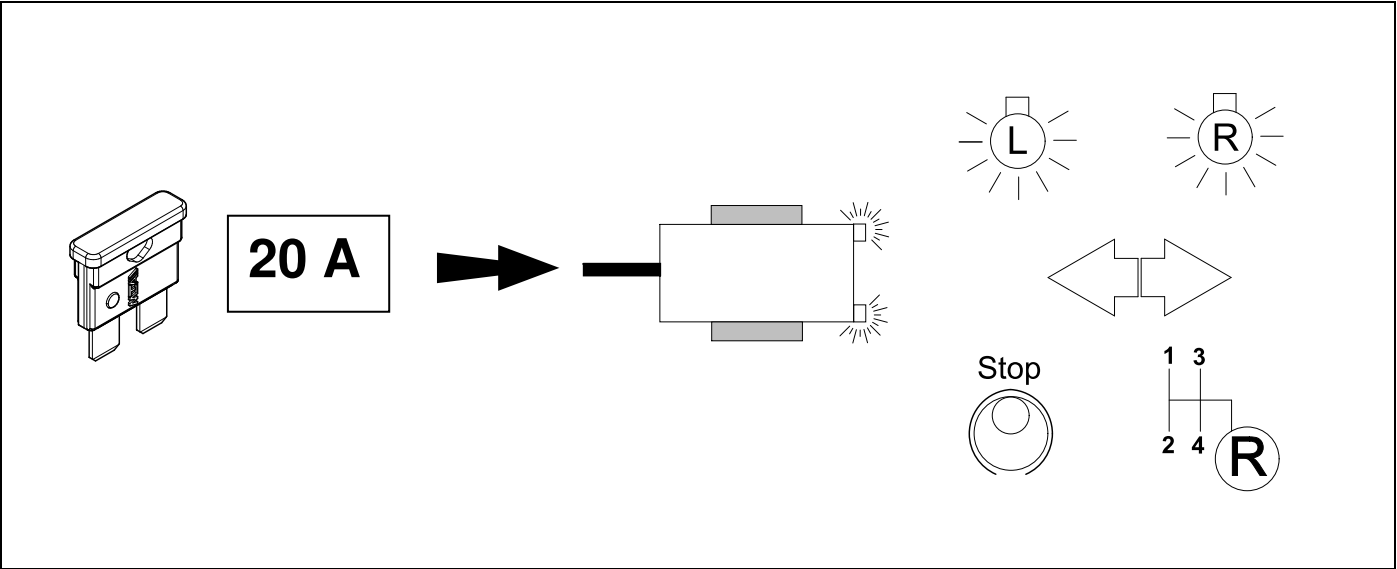


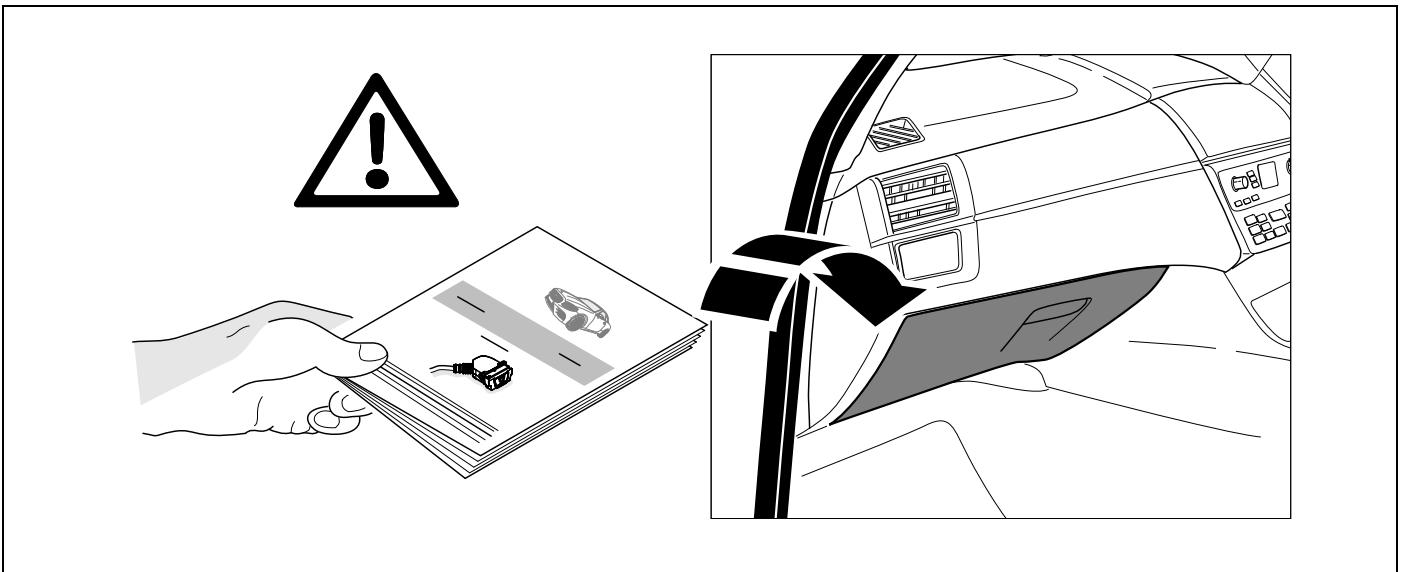
# 21 INFORMATION



# 22

👁️ ⇒ 13





Subject to change in terms of construction, equipment and colour, and may contain errors.  
The information and illustrations are non-binding.