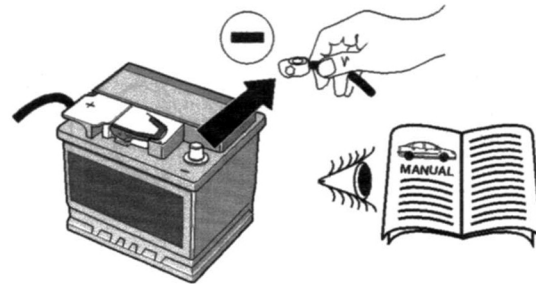


MITSUBISHI OUTLANDER ZG 11/06-11/12
PEUGEOT 4007 ZH 10/09-ON

PART NO.

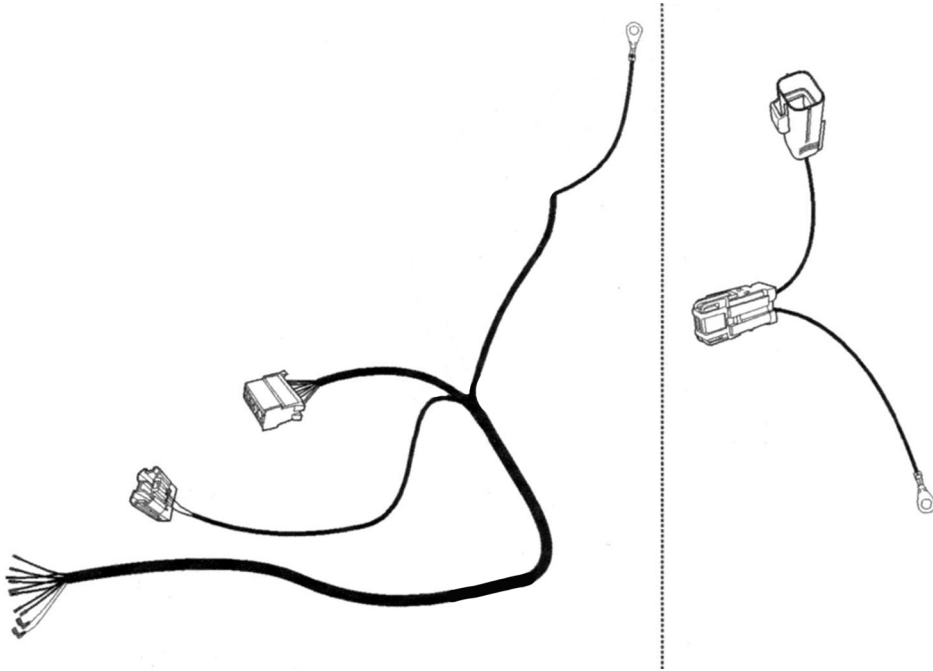
UNT292**IMPORTANT!**

In order to avoid mal-functions and damage to the vehicle's electrical system the earth terminal **must** be disconnected from the vehicle's battery **before starting work!**

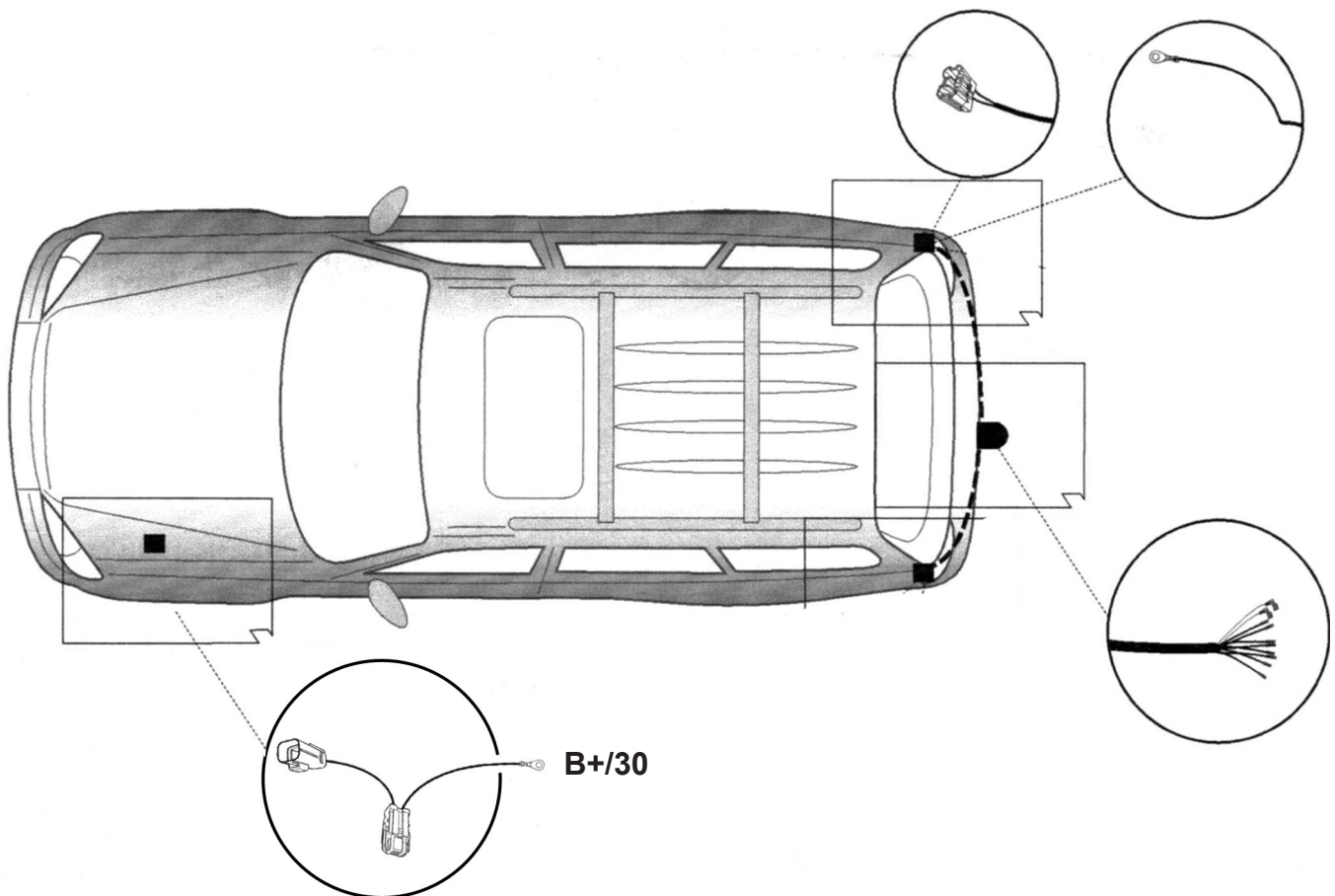
Both the trailer module and the vehicle's control unit for the electrical system can be damaged during work on the data bus connections if the battery is not disconnected!

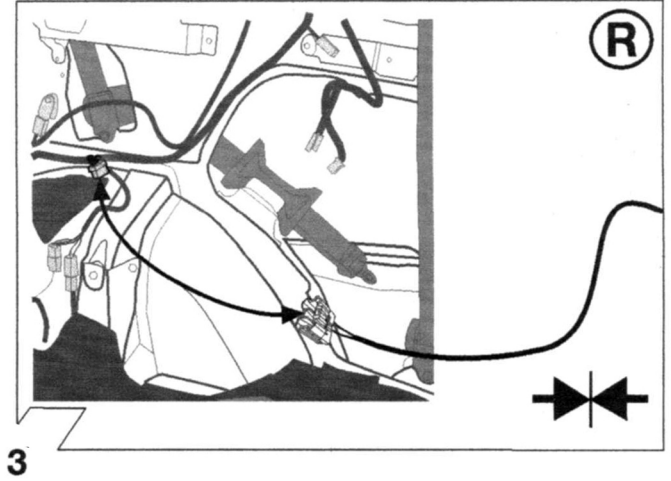
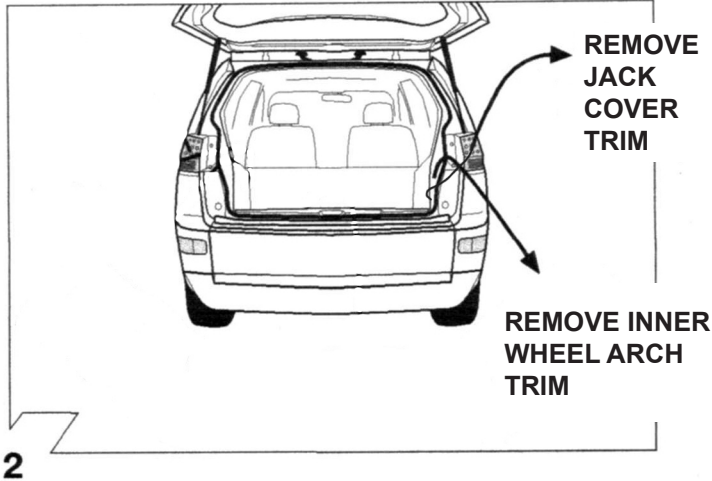
Please pay attention to the manufacturer's instructions when disconnecting and reconnecting the vehicle's battery!

1

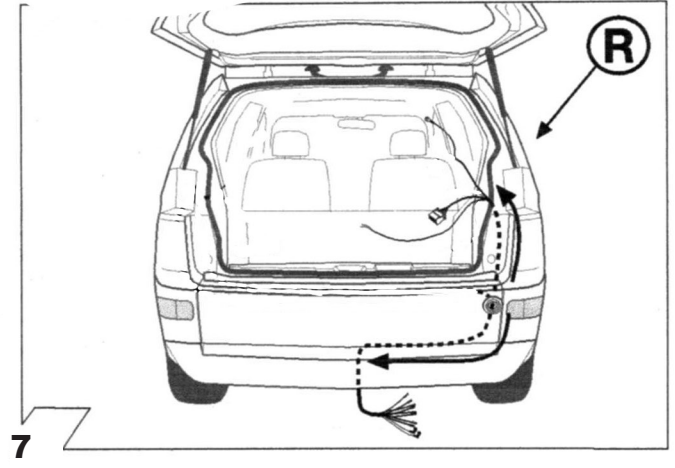
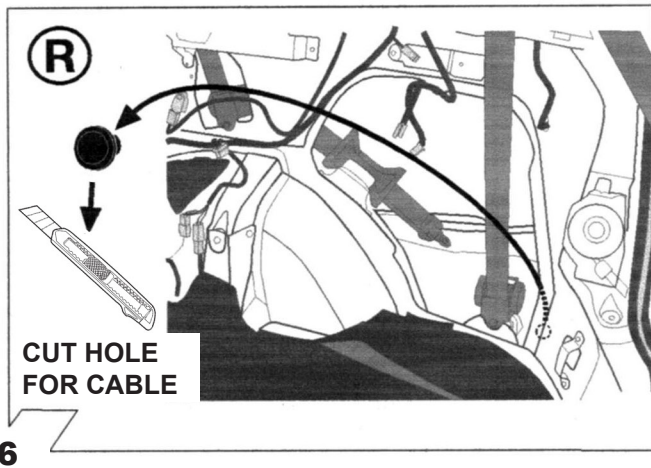


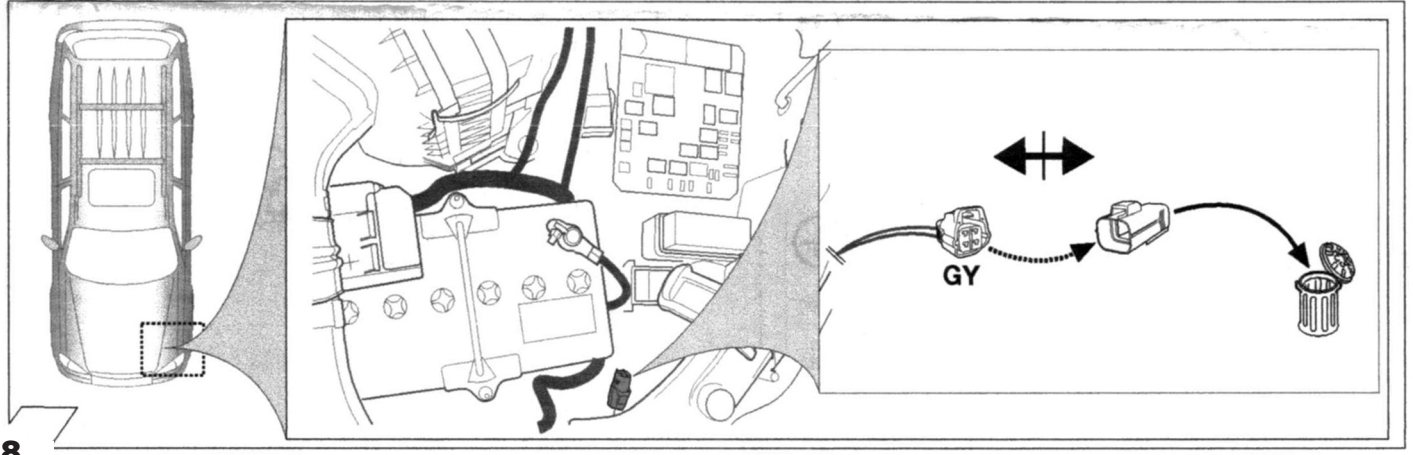
**15 AMP
Fuse X1**



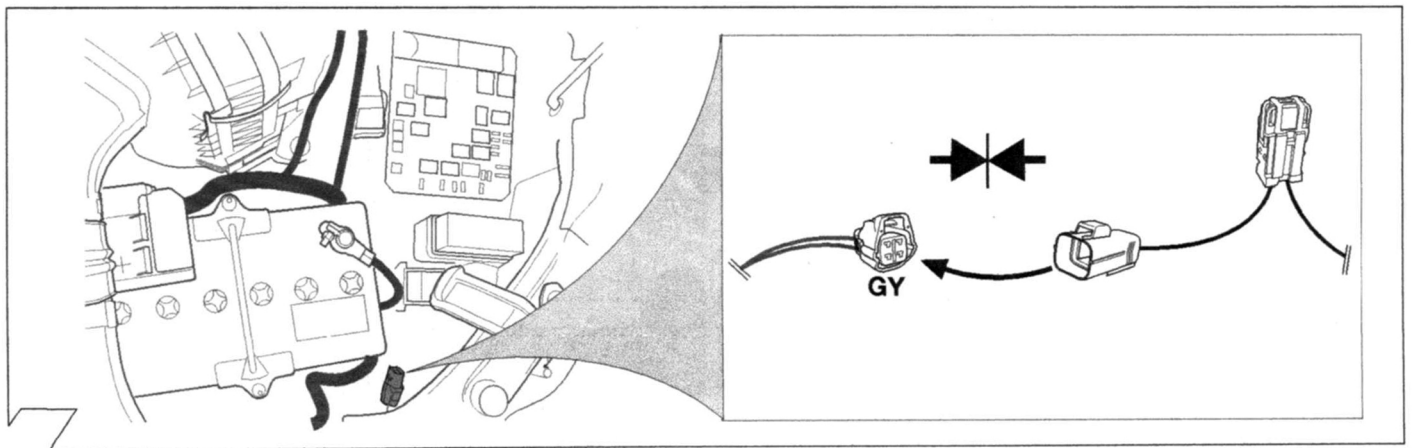


4. Feed the wiring cable with the vehicle connection plug through the JACK COMPARTMENT up to the WHEEL ARCH OPENING. Put your hand inside the WHEEL ARCH OPENING toward the front of the vehicle and locate the vehicle TOWBAR CONNECTING PLUG and join with the connector on the trailer harness.
5. Using the WHITE wire on the trailer harness using a suitable screw (not supplied) mount the EARTH wire to the body, preferably on the JACK MOUNT.

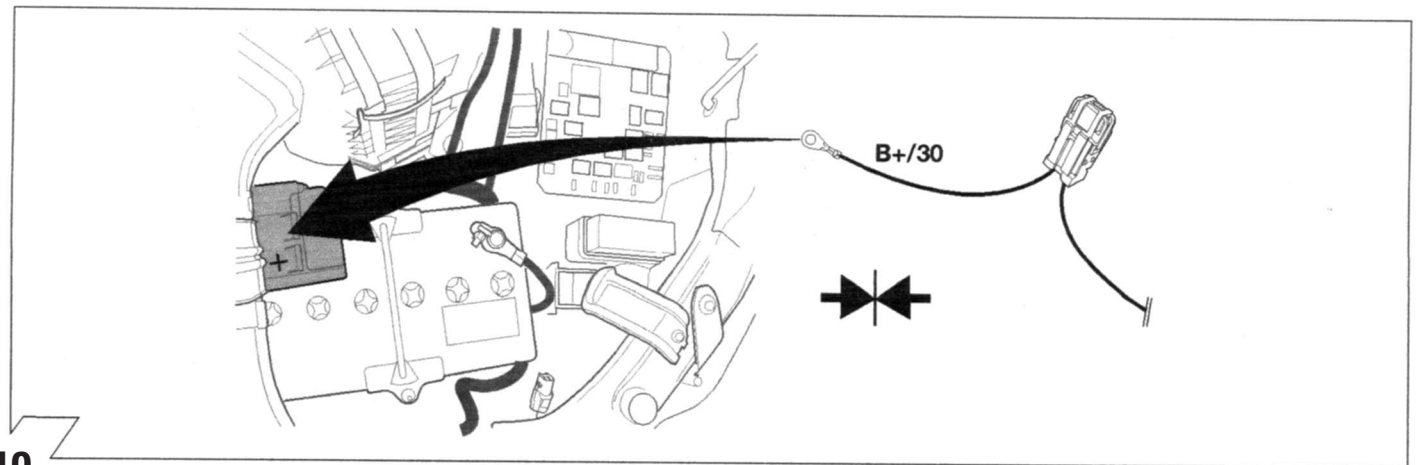




8



9



10

