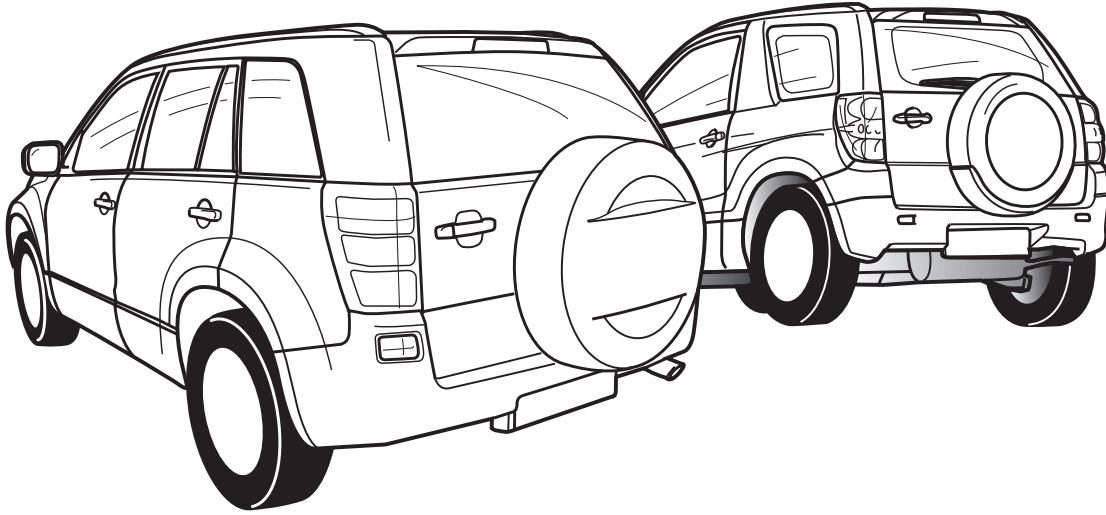


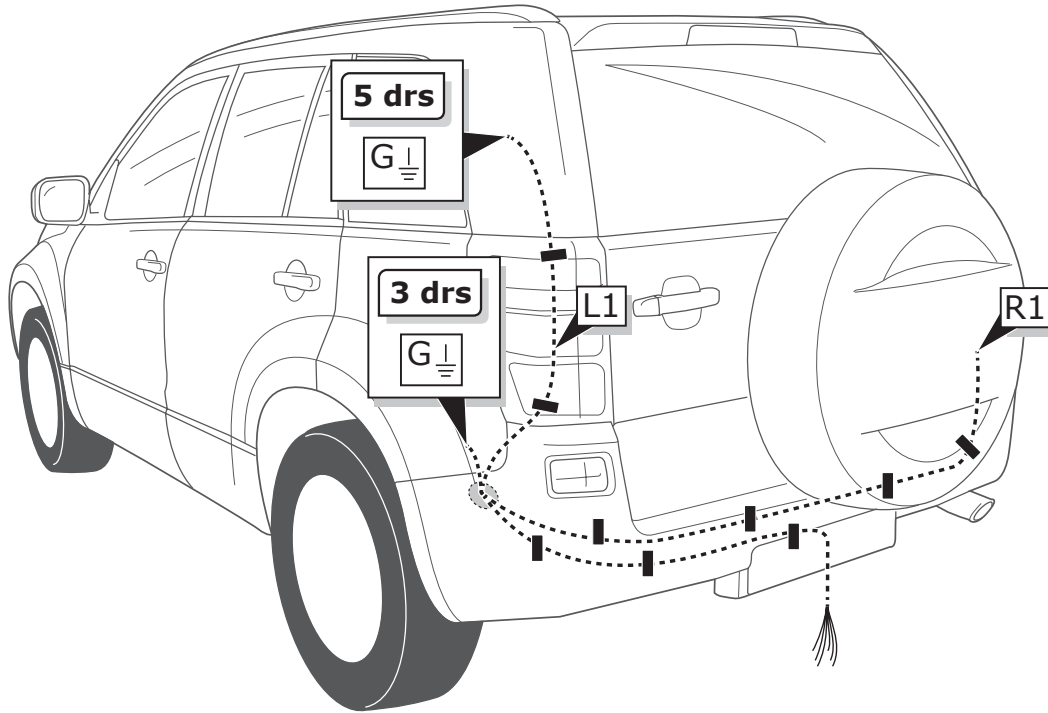
**SUZUKI GRAND VITARA JT  
3 & 5 DOOR WAGON 09/05 – PRESENT**

PART NO.

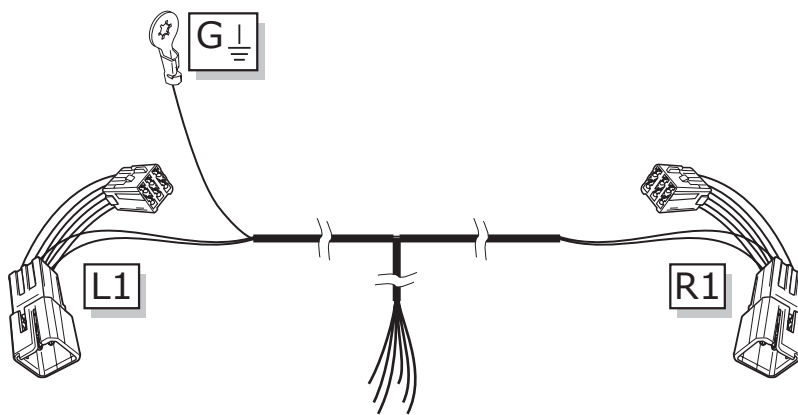
**UNT330**



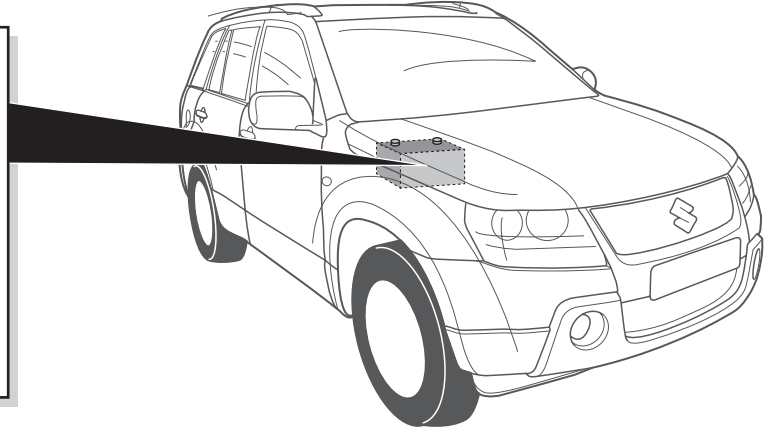
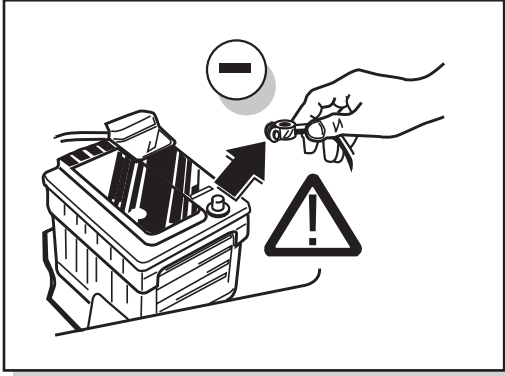
## Routing



## Parts List

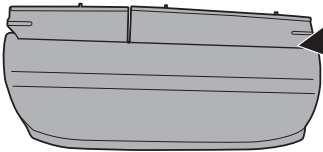


1



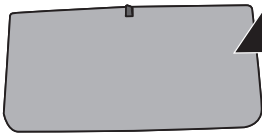
2

Privacy Screen



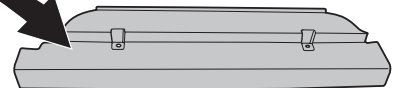
1

Floor Cover

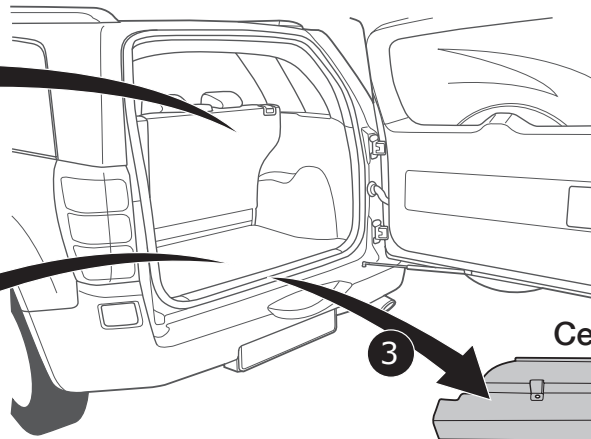


2

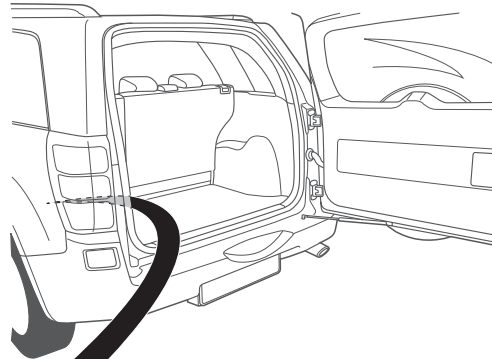
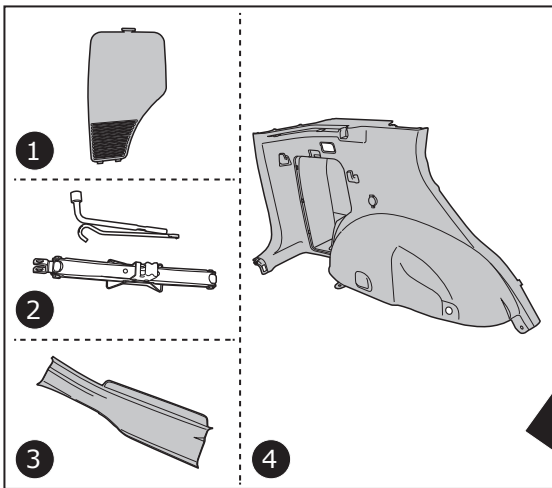
Centre Trim



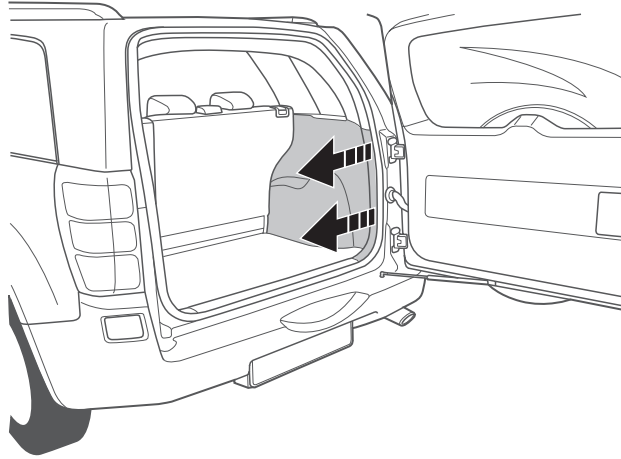
3



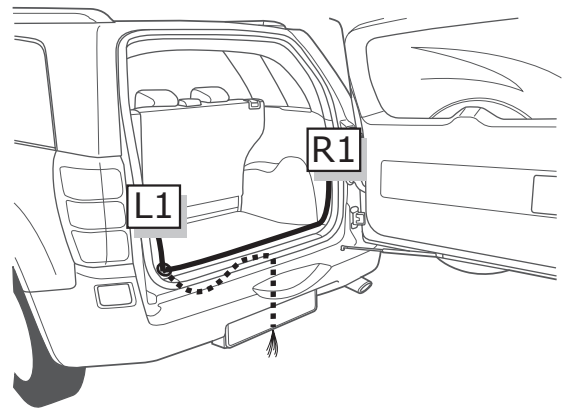
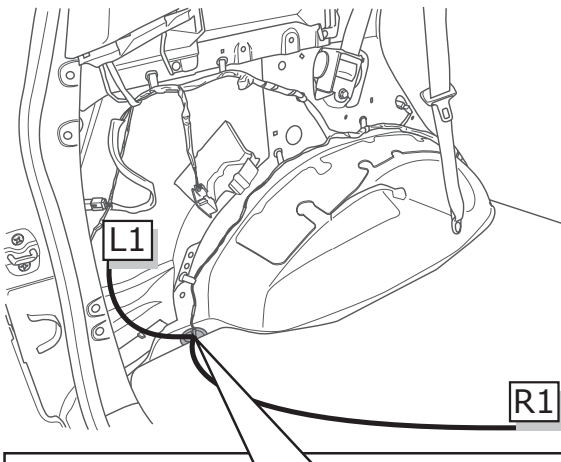
3



4



5

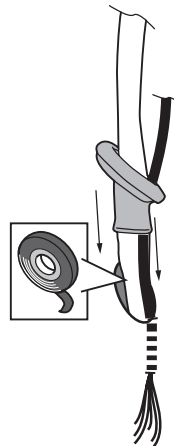


Remove tape.

1

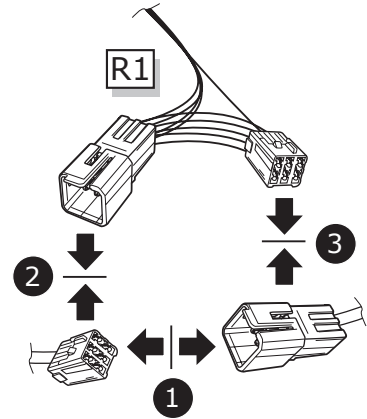
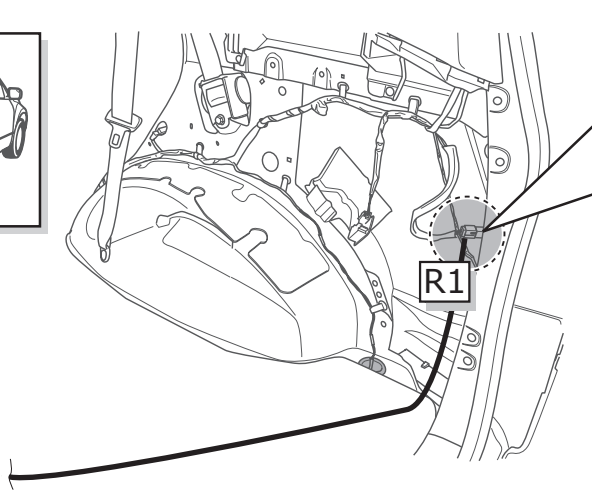
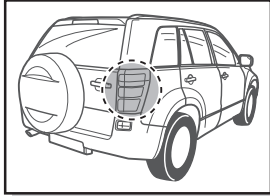


2

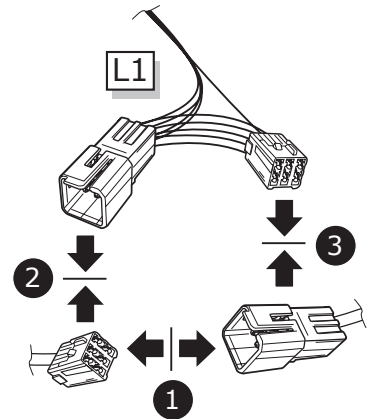
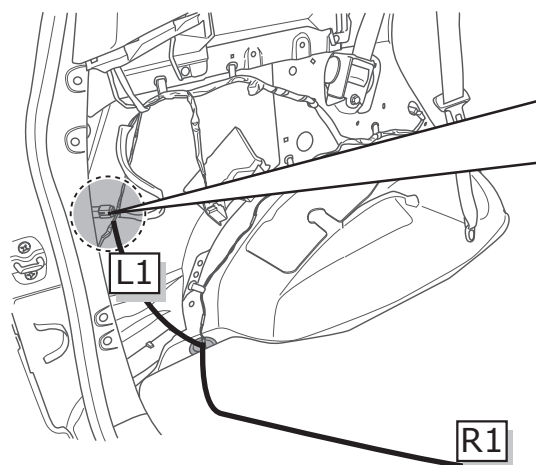
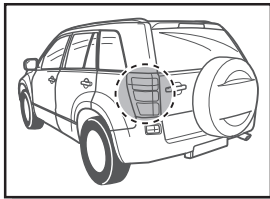


3

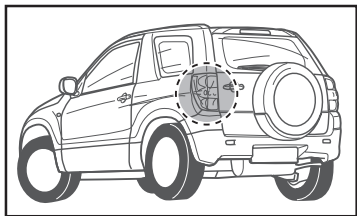
6



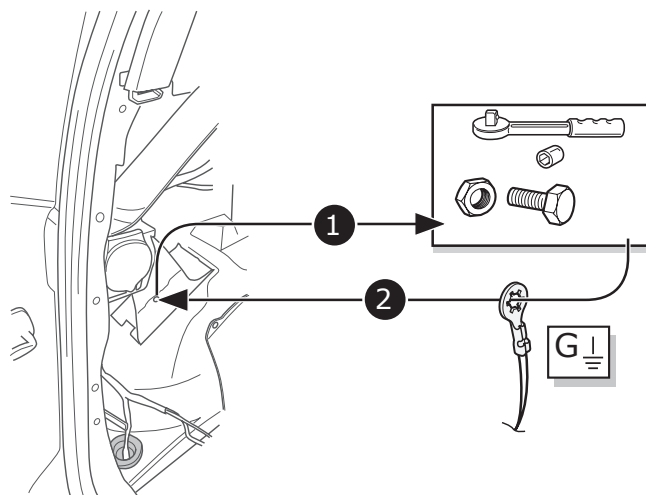
7



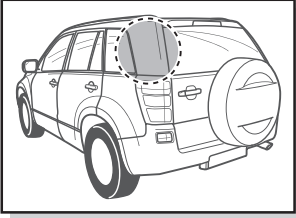
8



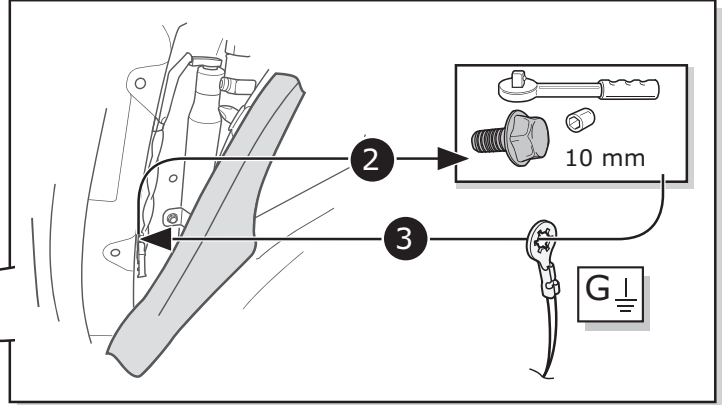
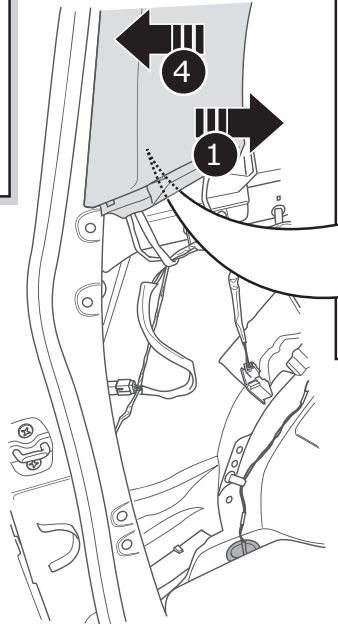
3 drs



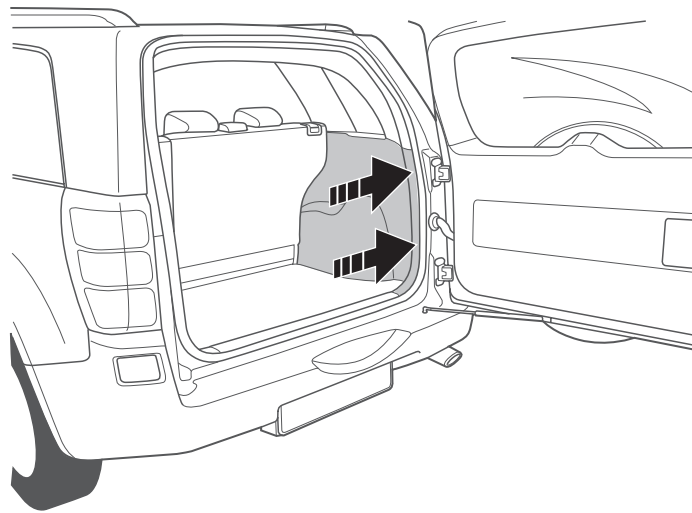
9

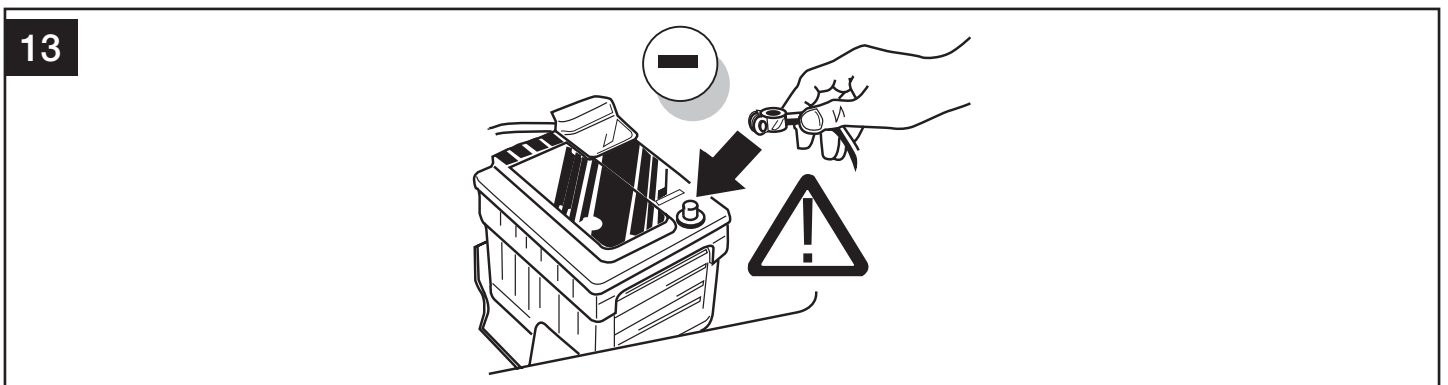
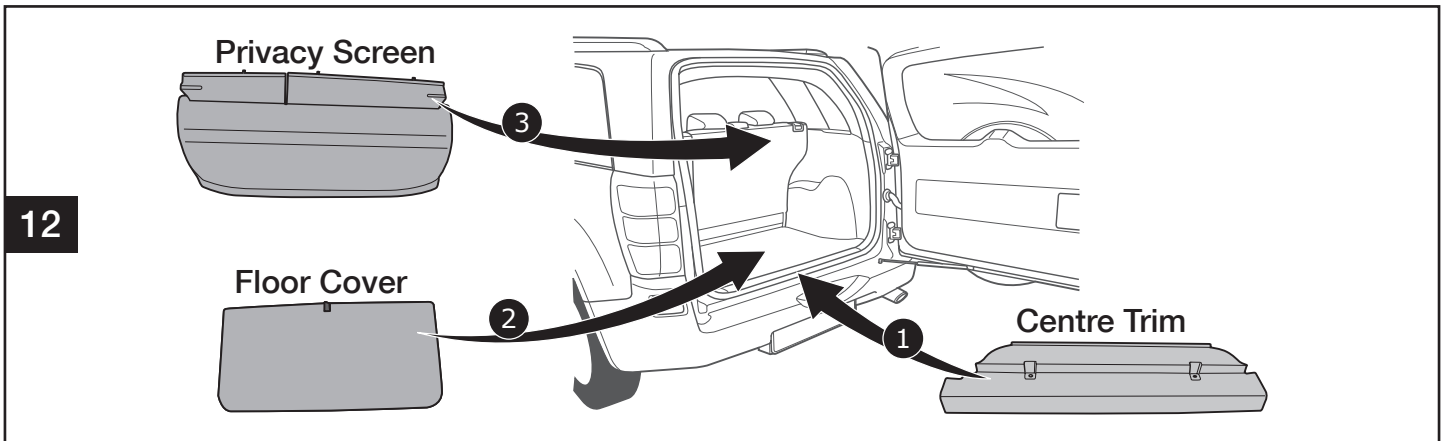
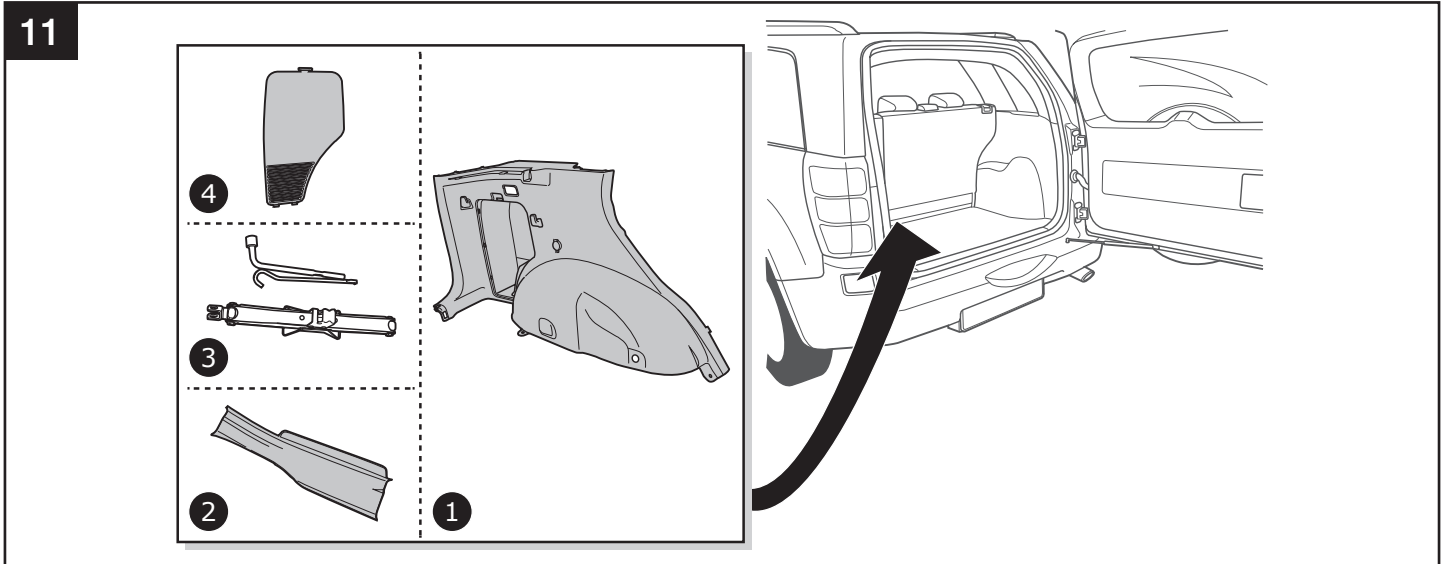


5 drs



10





Test all circuit functions with a testbox with the correct power load for each unit. A testbox on which only LEDs are used can not be used in this case.