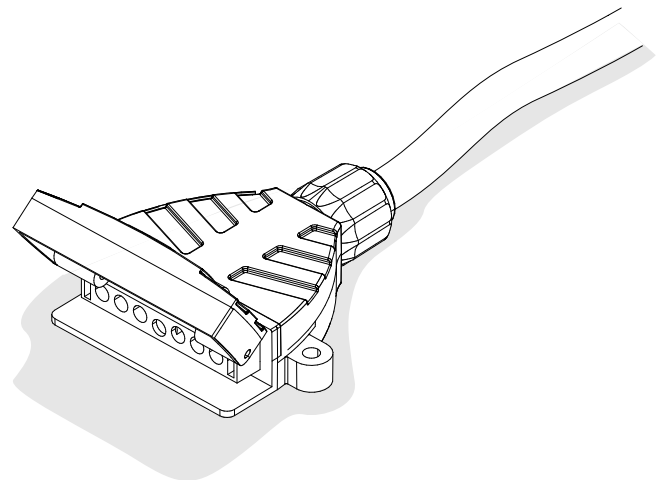


Nissan Patrol

10/14 >>

750006EJ



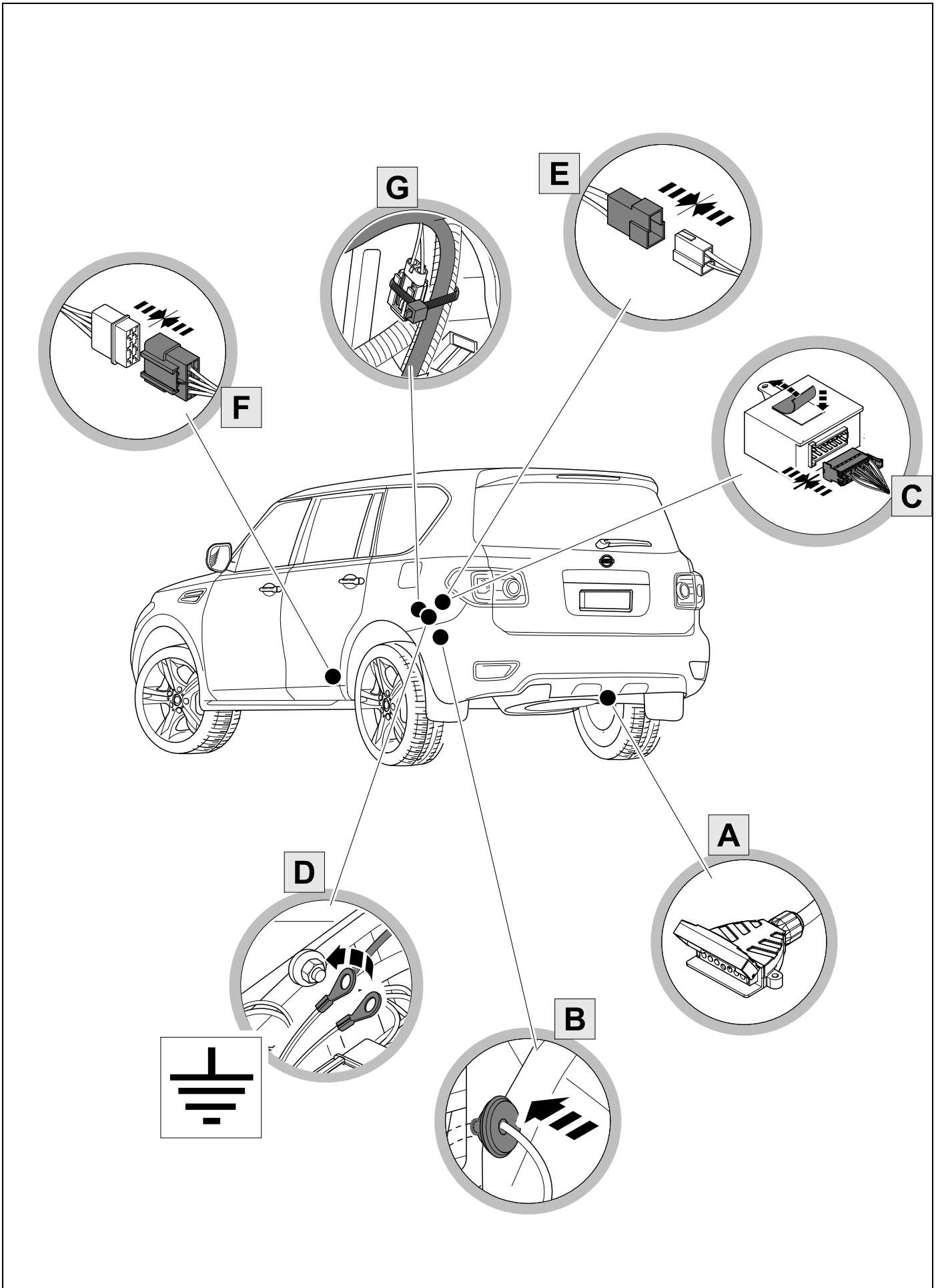
Installation instructions

Reference:

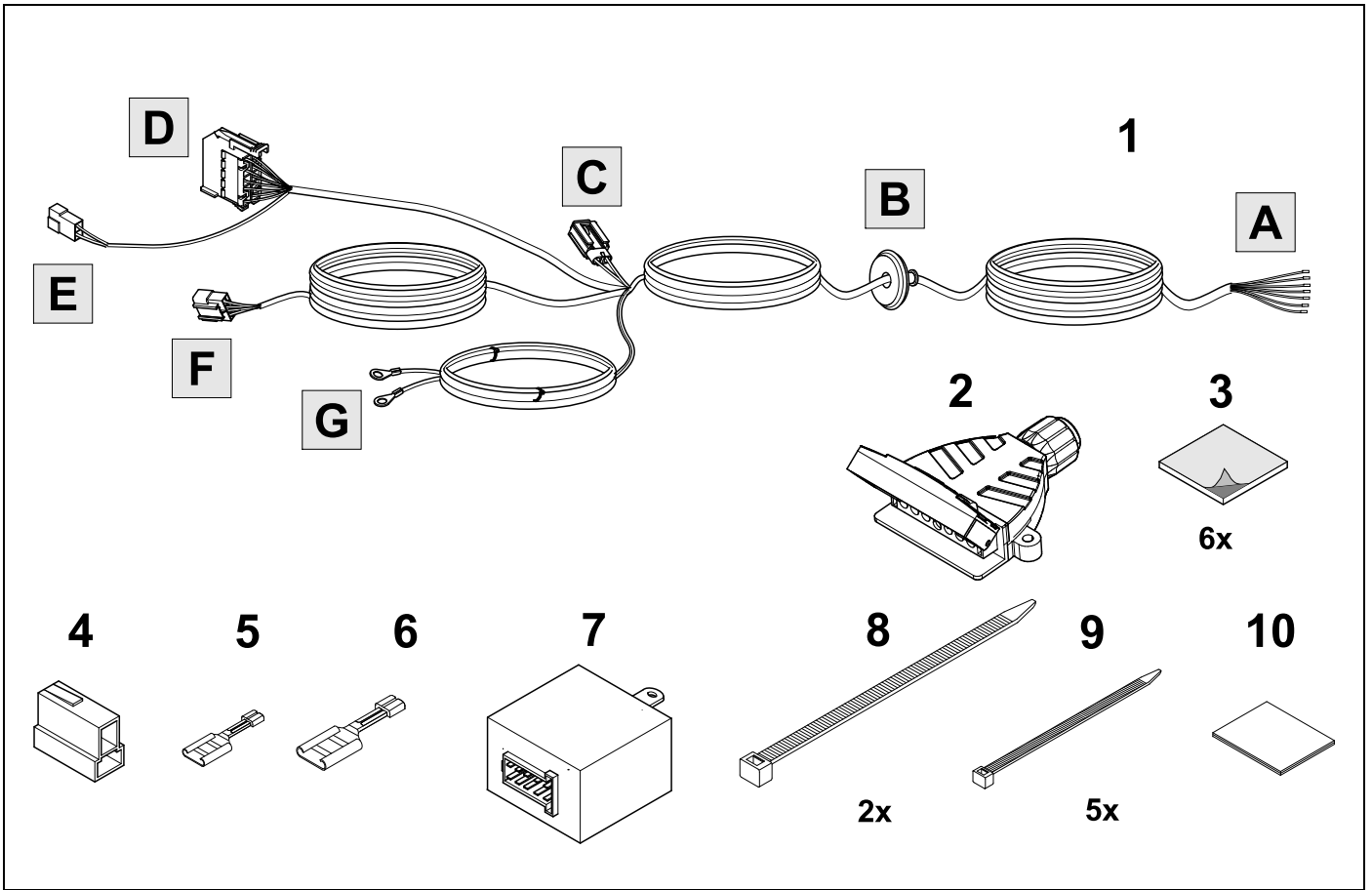
The following information must be reviewed before beginning the assembly:



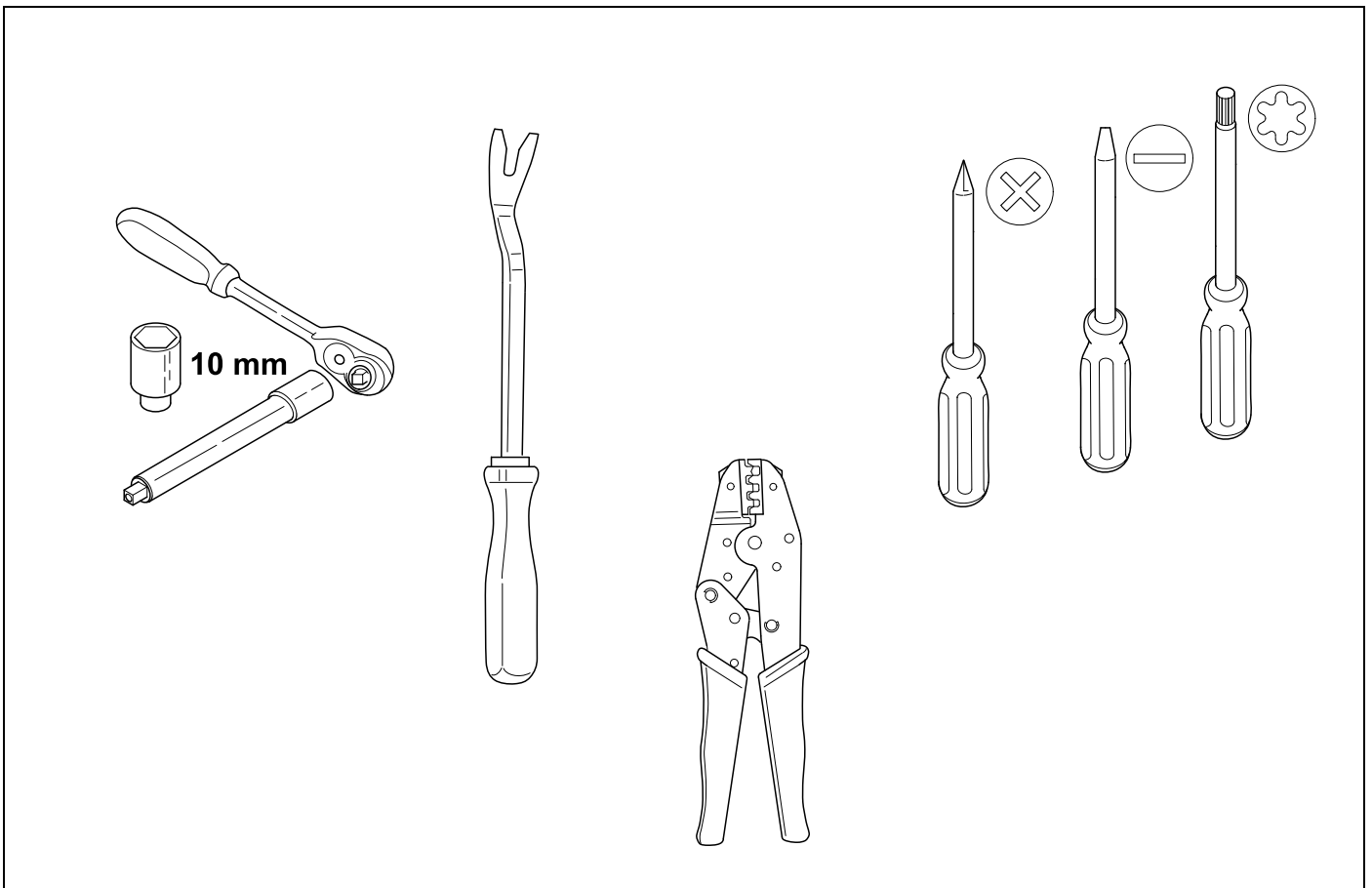
The installation instructions are to be thoroughly read.
The installation should be carried out by qualified personnel with the relevant technical knowledge.
The vehicle manufacturers' current technical notices and information on retrofitting must be followed.
The removal and replacement instructions found in the current repair manuals must be followed.
It must be ensured that the vehicle is technically suitable for the installation of a trailer hitch.



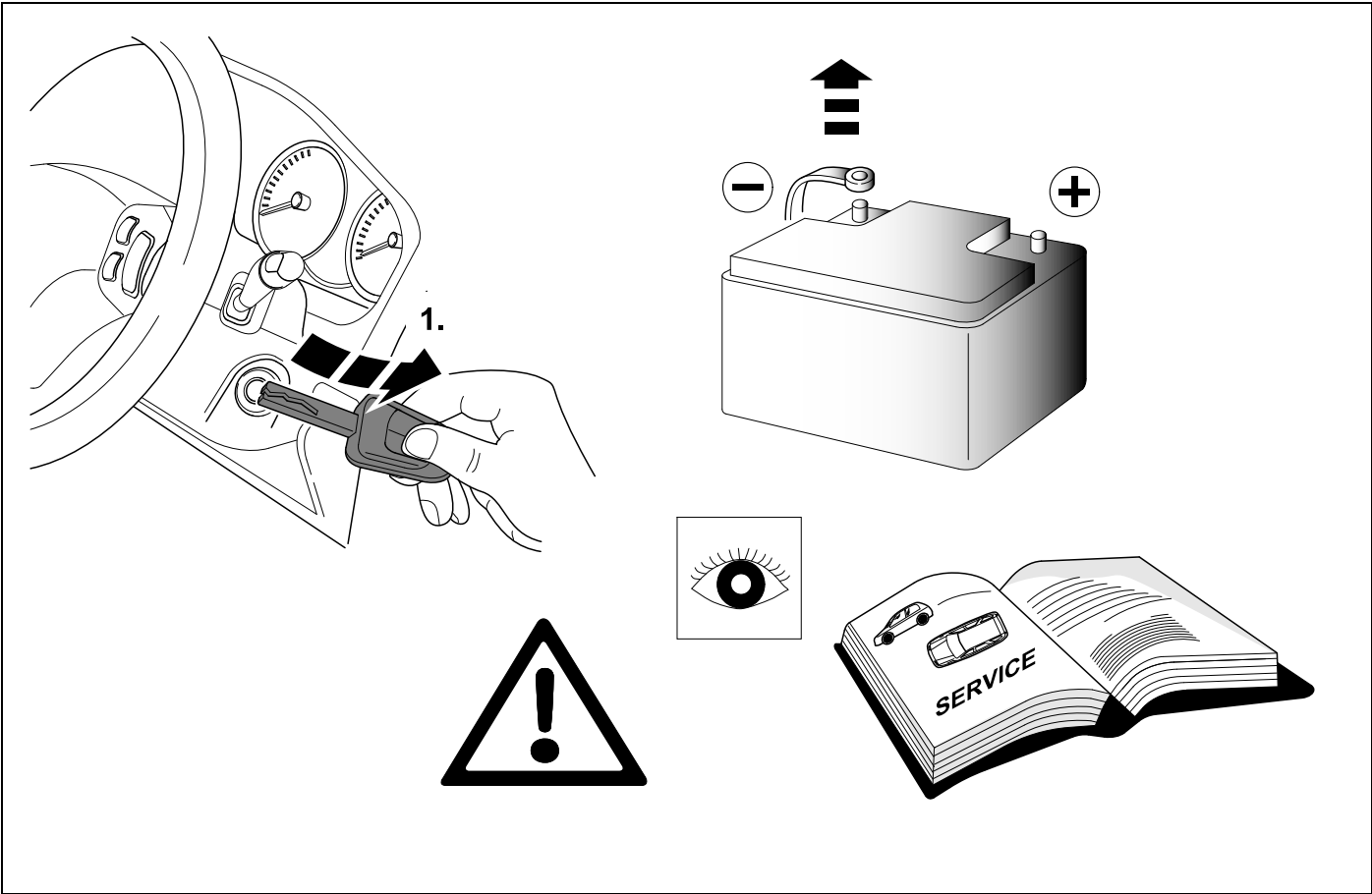
KIT

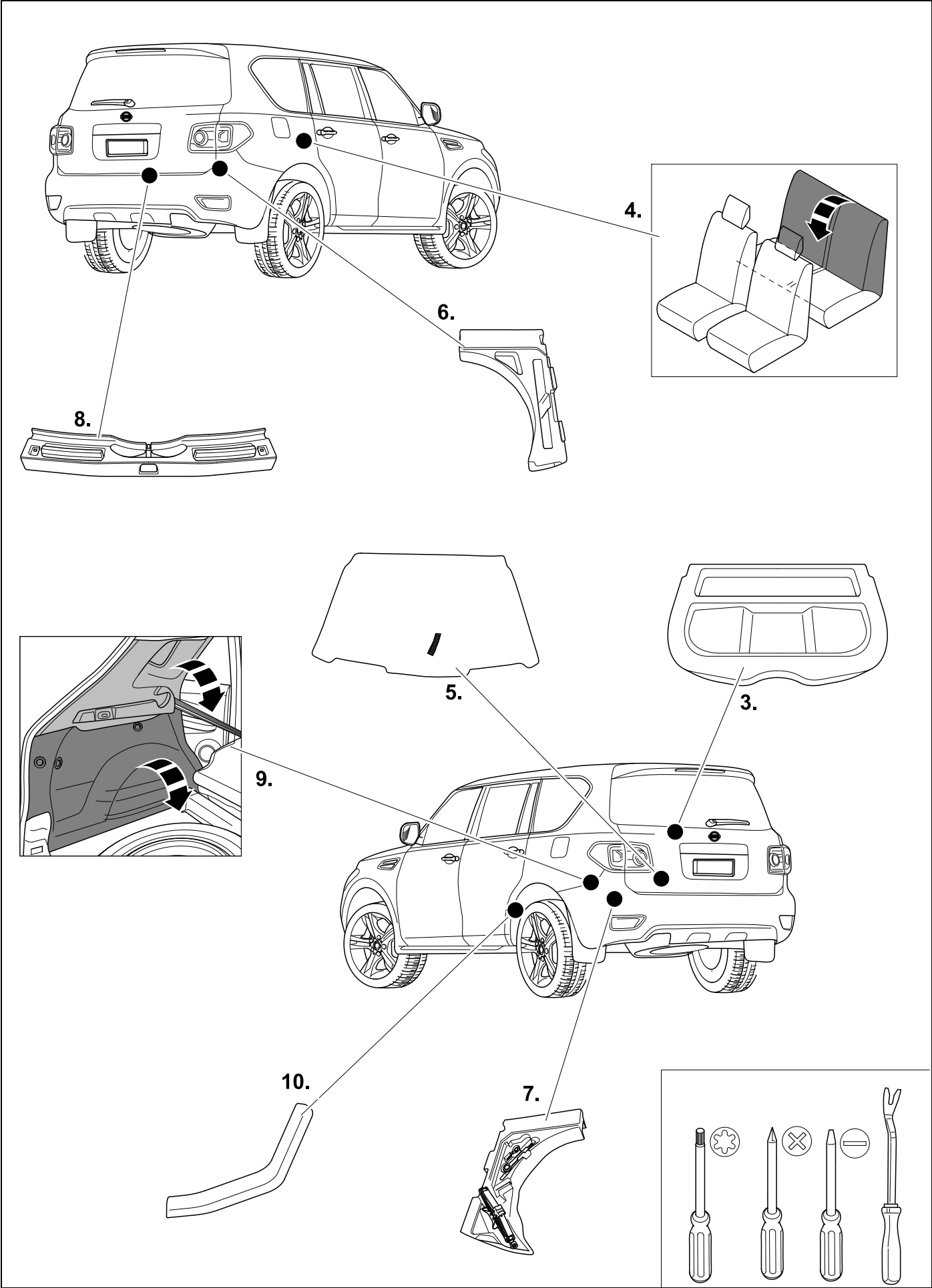


TOOLS

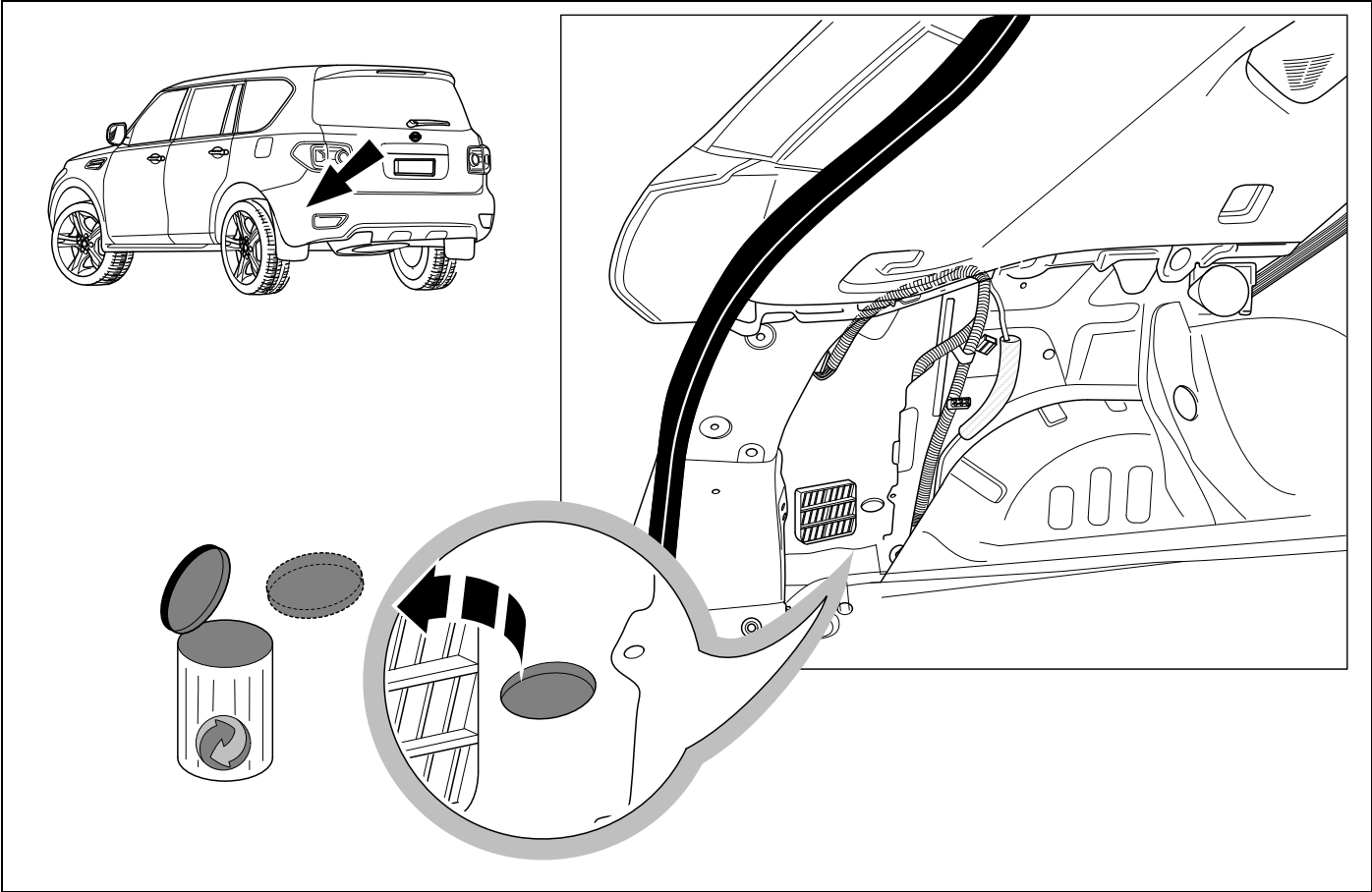


1

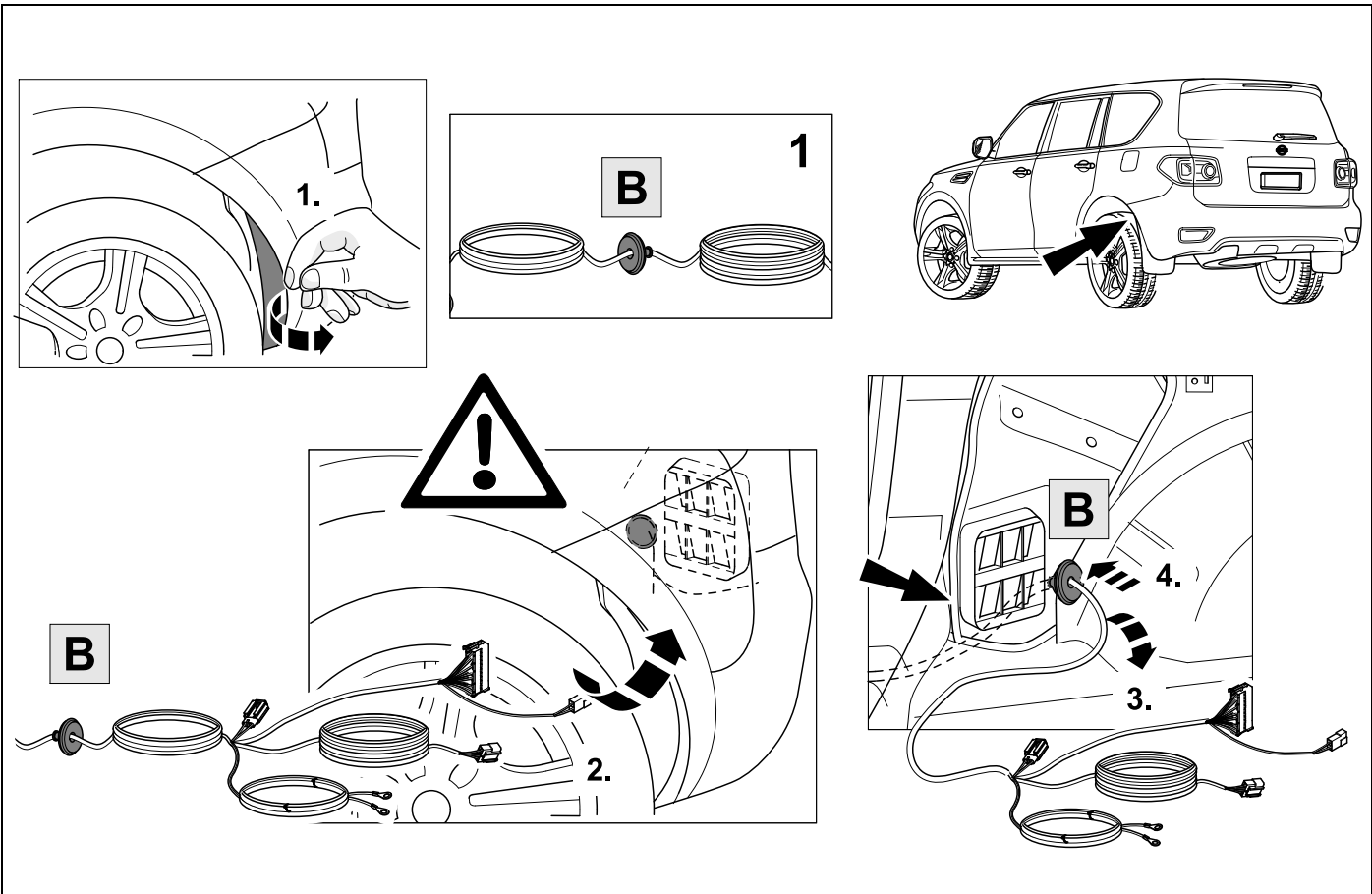




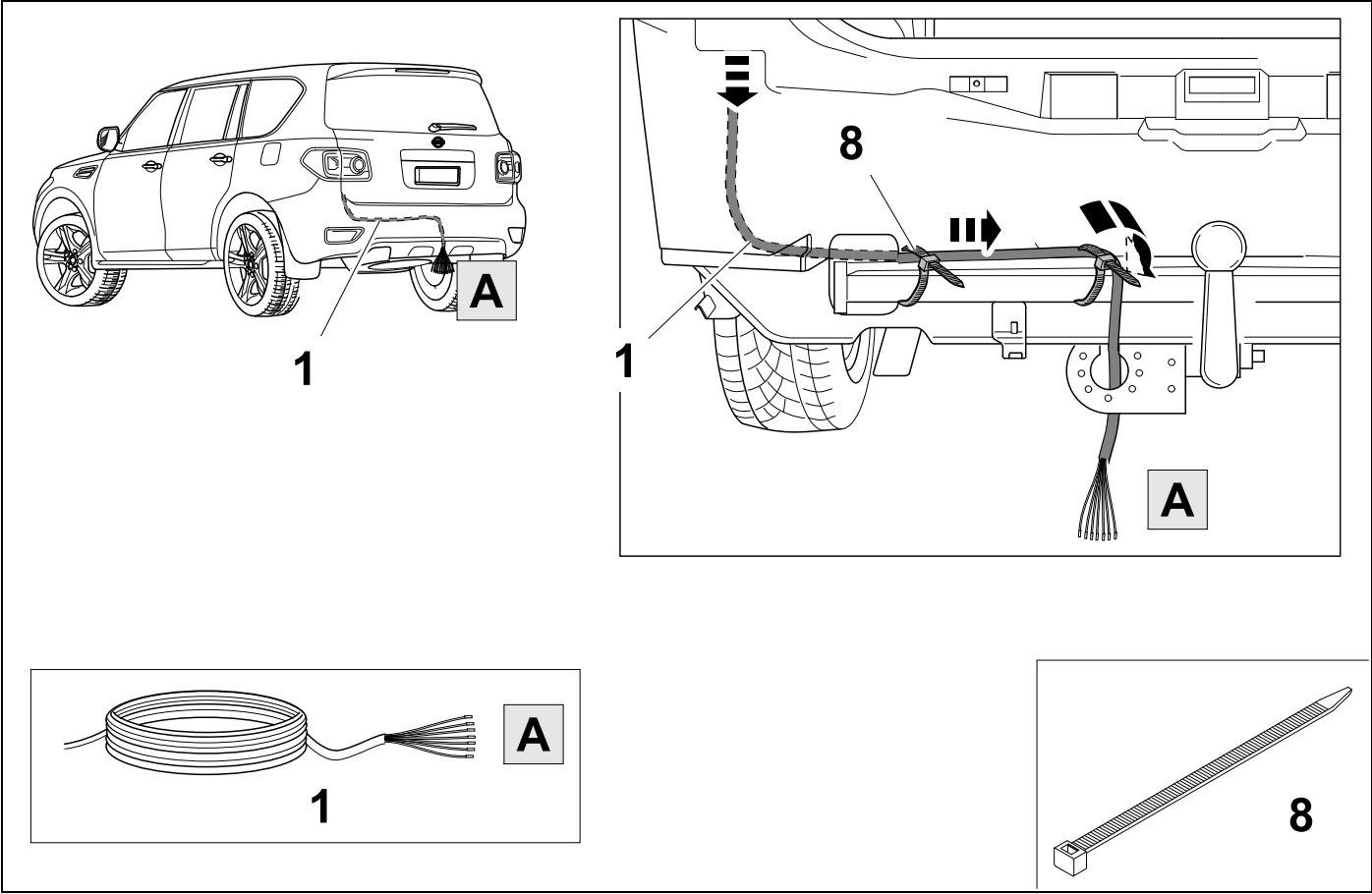
3



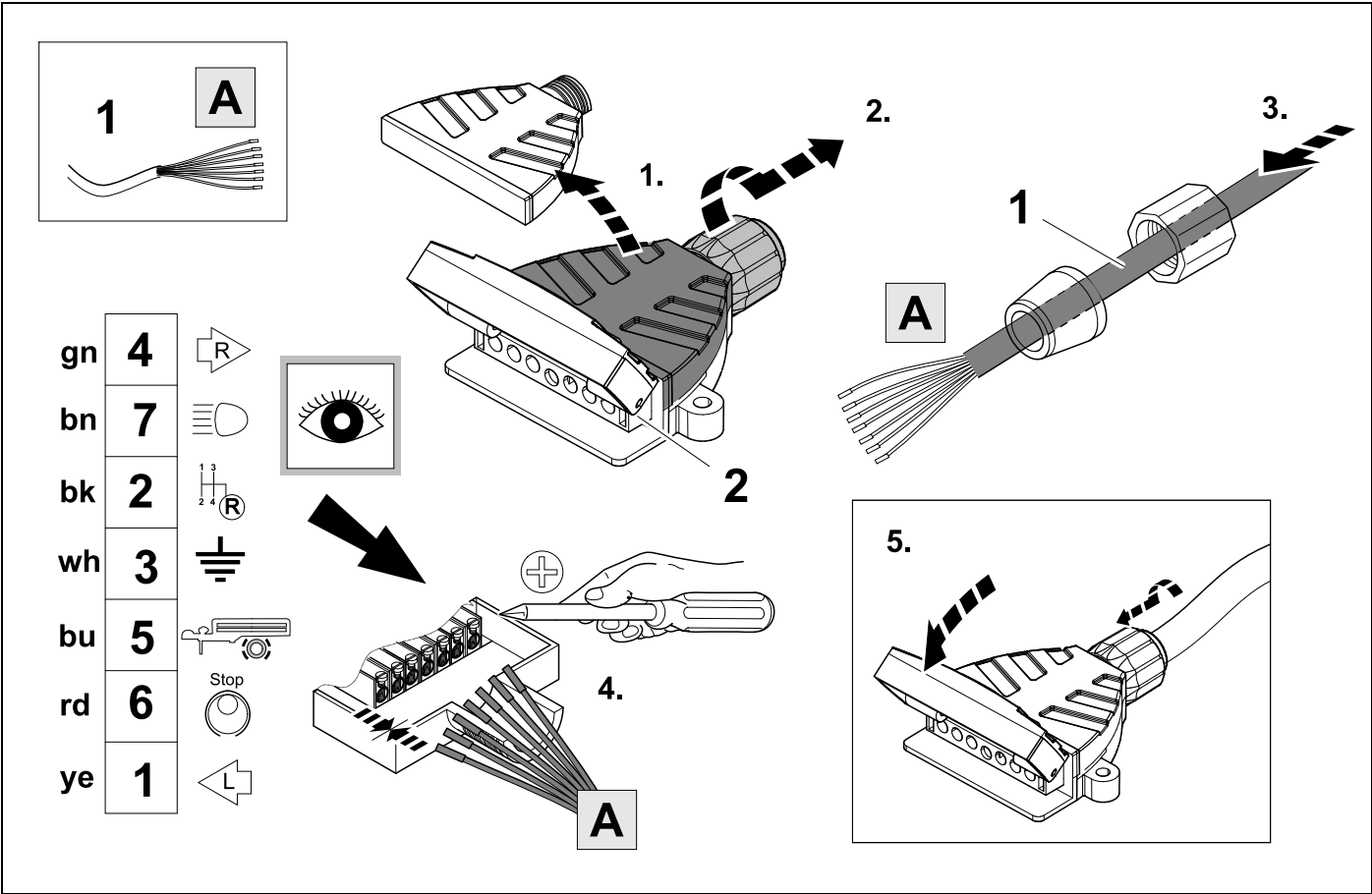
4



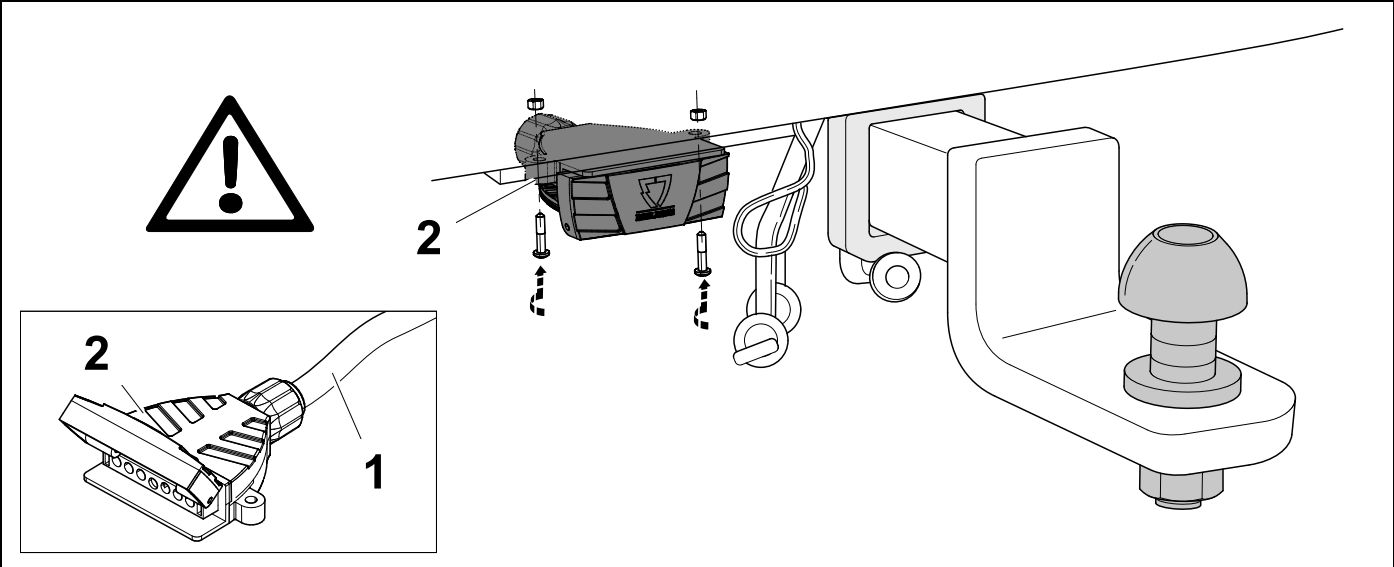
5



6



7



8



9

1	ye	
2	bk	
3	wh	
4	gn	
5	bu	
6	rd	
7	bn	

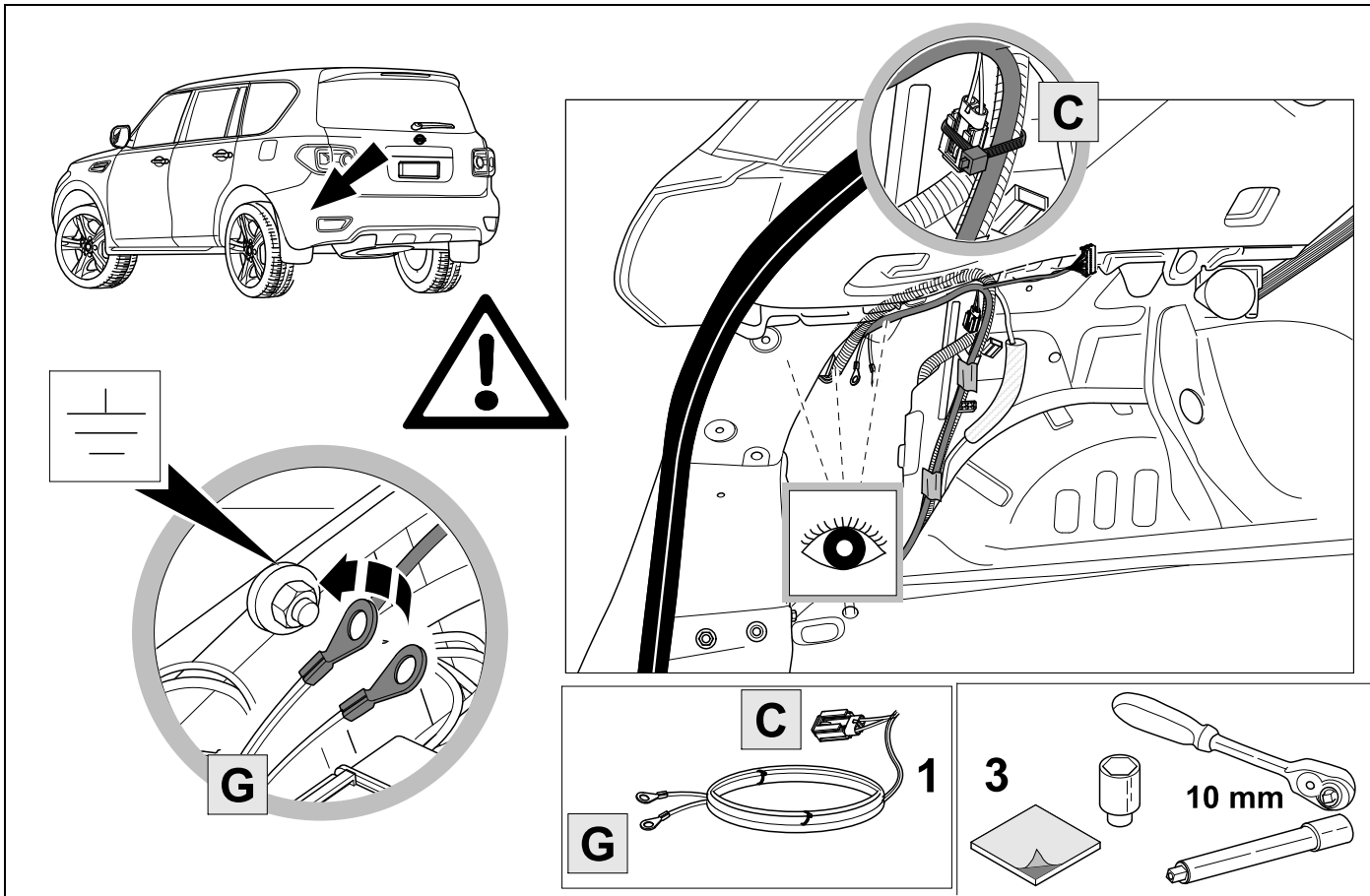
9	bk	wh	gy	gn	rd	bu	ye	bn	pu	or	no
---	----	----	----	----	----	----	----	----	----	----	----

	black	white	grey	green	red	blue	yellow	brown	purple	orange	not occupied
--	-------	-------	------	-------	-----	------	--------	-------	--------	--------	--------------

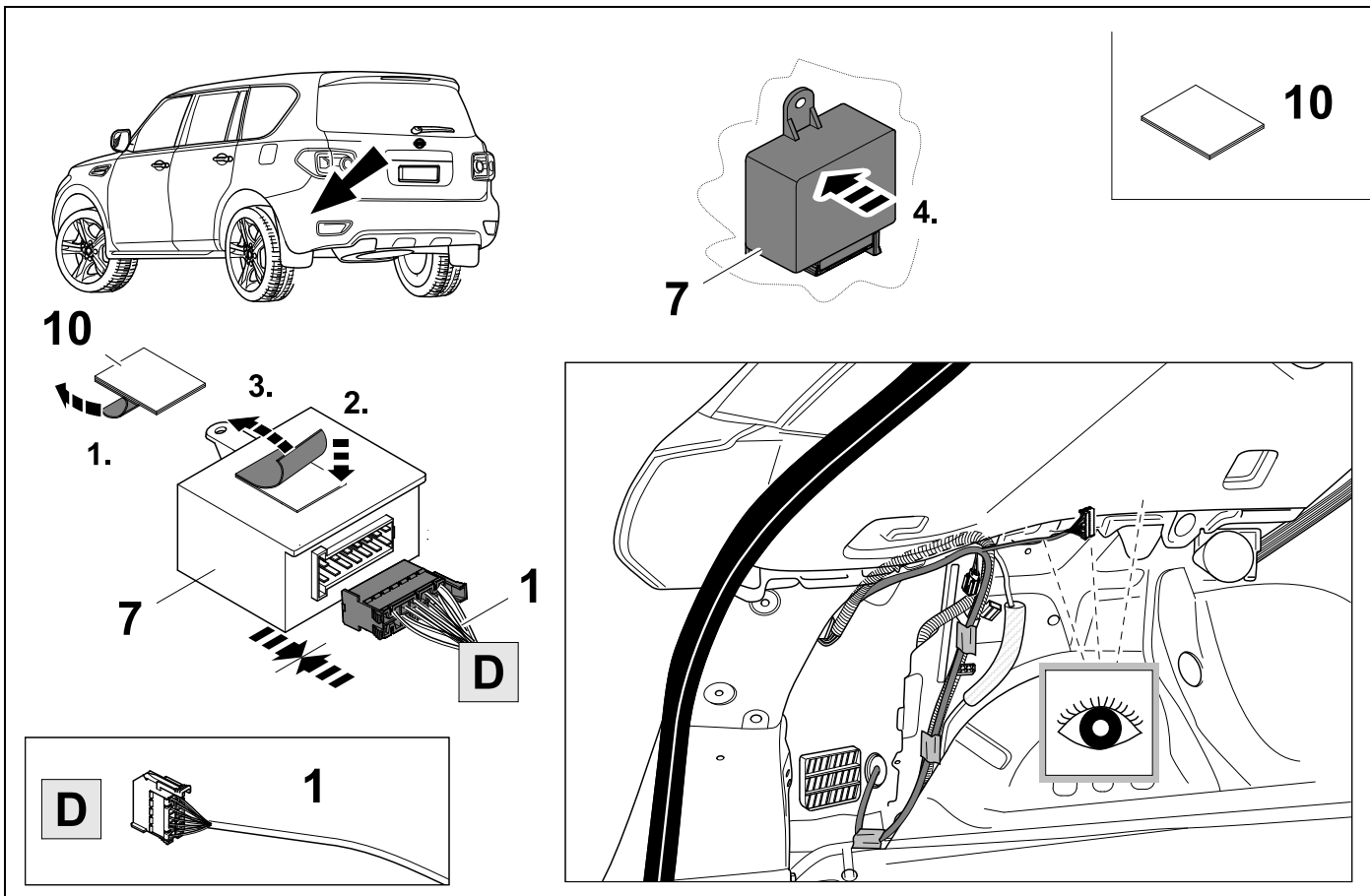
10




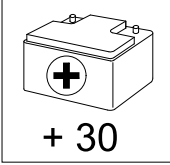
20



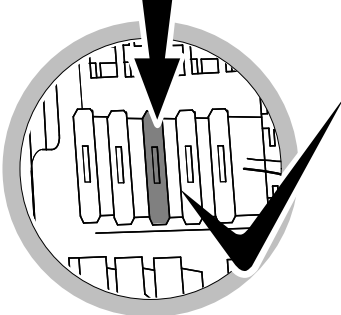
11

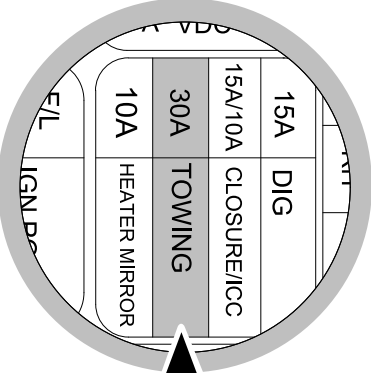
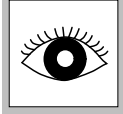


14

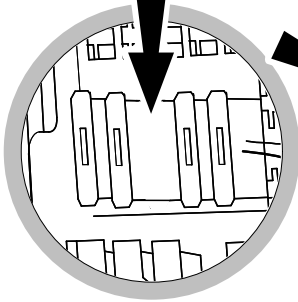
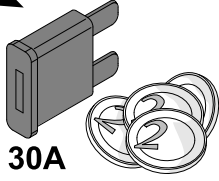
 

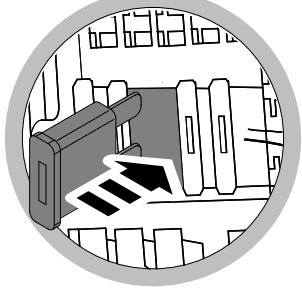
OPTION 1



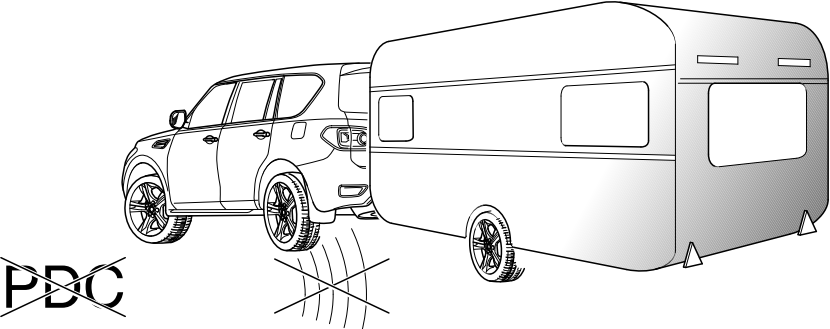
 

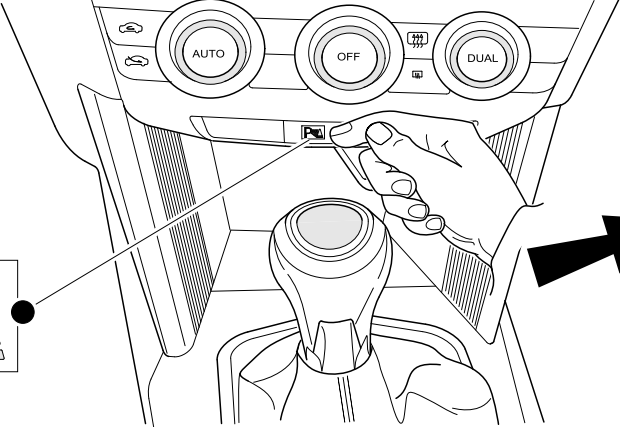
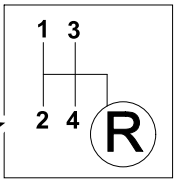
OPTION 2


 



15

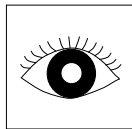
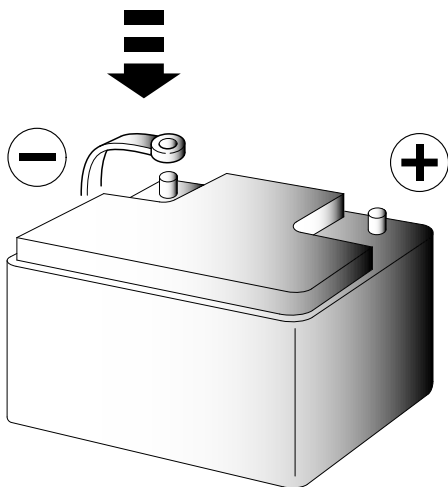
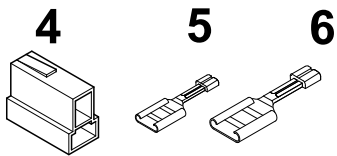
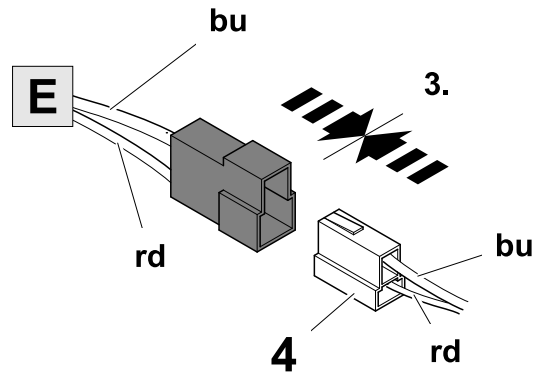
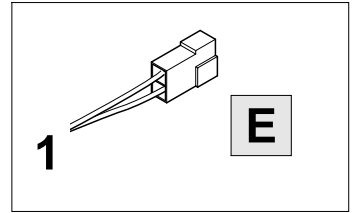
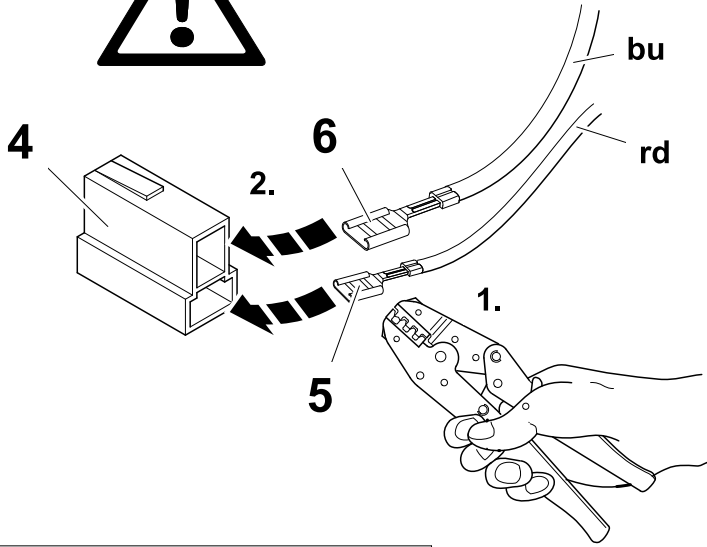


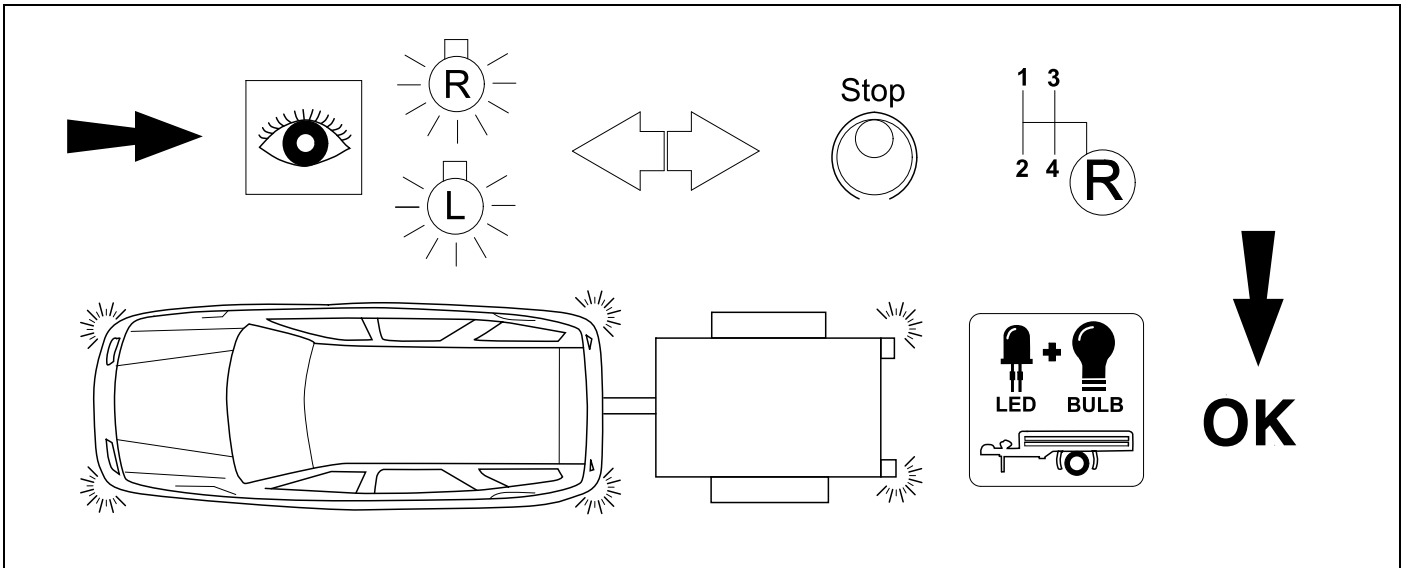




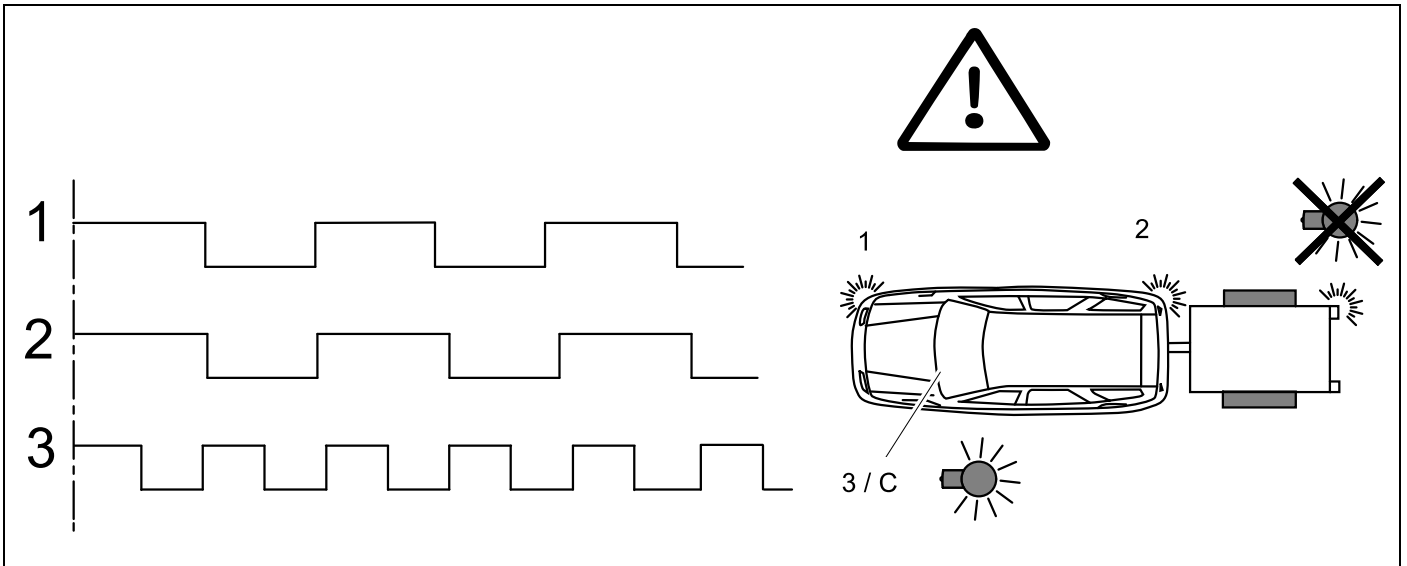
Trailer Brake Preparation



18 CHECK

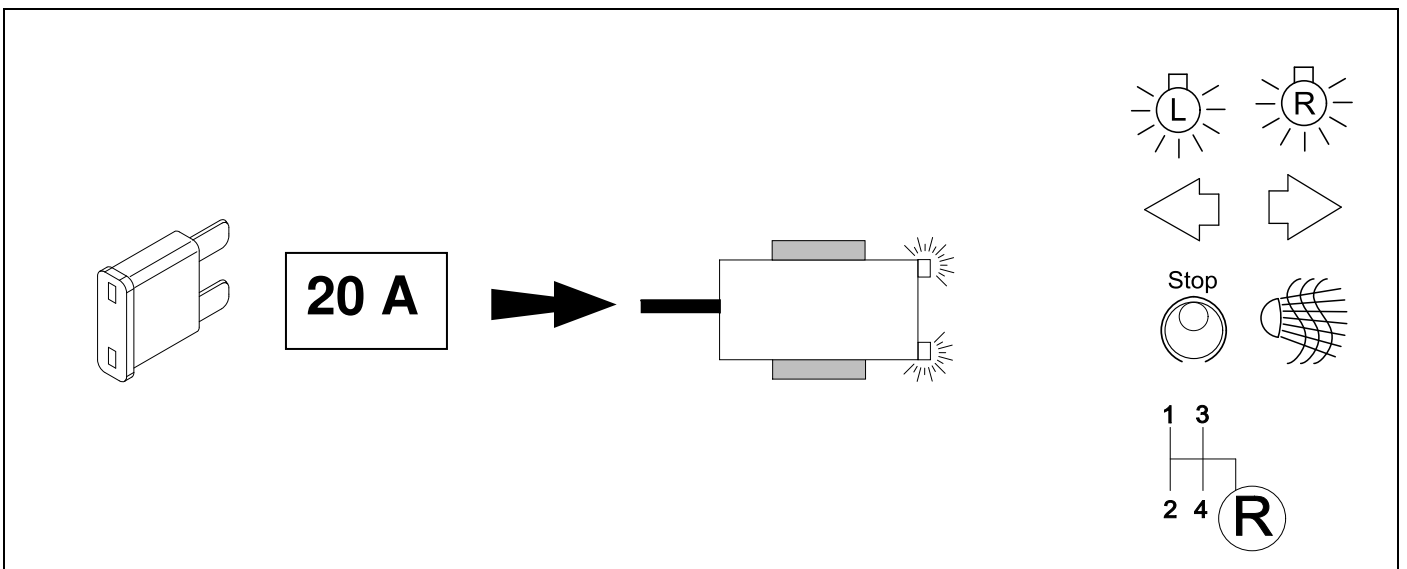


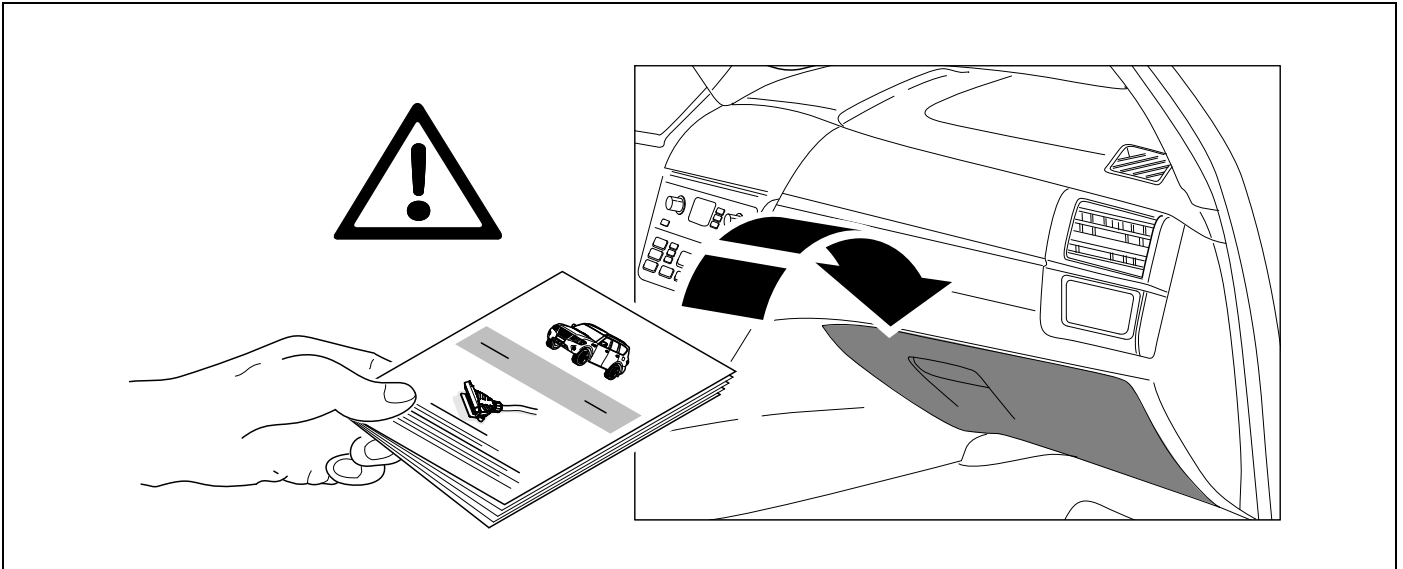
19 CHECK



20

c ⇒ 10





Subject to change in terms of construction, equipment and colour, and may contain errors.
The information and illustrations are non-binding.

Scan this for our full E-Kit catalogue



FITTING INSTRUCTIONS



Nissan Patrol Y62 – T7D762

Max Towing Capacity: 3500kg

Towbar Weight: kg

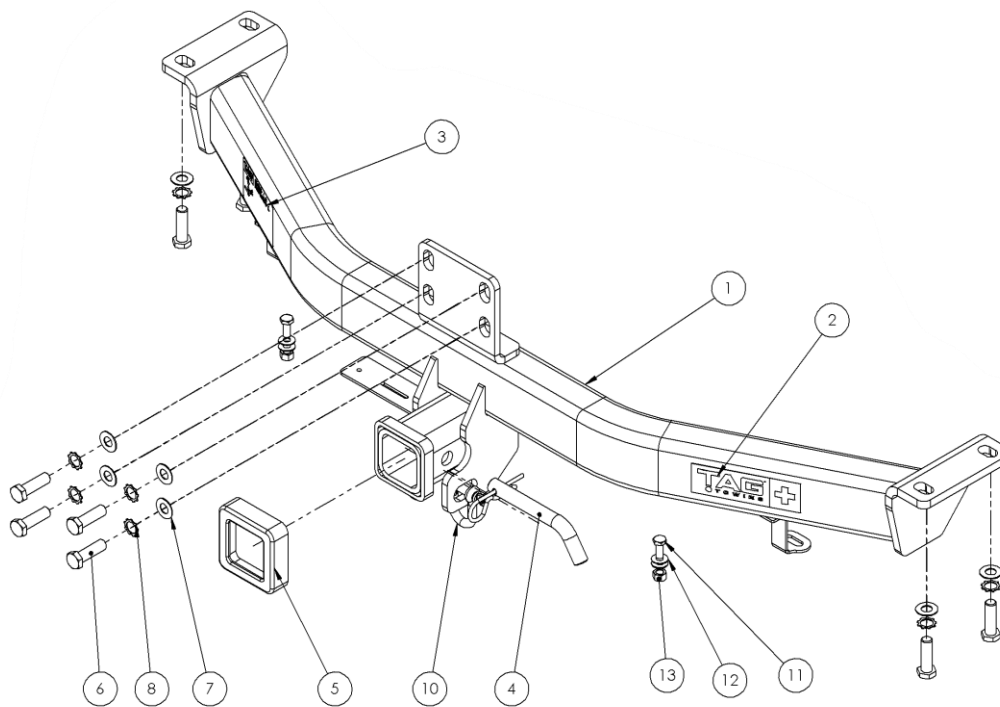
Max Ball Load: 350kg

Wiring Harness Part #:



Tools Required:

- Spanners, Sockets, Torque Wrench



Kit Contents

ITEM NO.	DESCRIPTION	QTY.	ITEM NO.	DESCRIPTION	QTY.
1	Welded Towbar Assembly T7D762	1	8	M12 Shakeproof Washer	8
2	TAG + Foil Sticker 123x38	1	9	Fitting Instructions T7D762	1
3	TAG Compliance plate	1	10	TAG D-Shackle - 10mm, 1000kg, Galvanised	2
4	Class 4 Pin & Clip	1	11	M8x20 1.25Pitch B/O GR8.8 Metric Thread Zinc Clear	2
5	Cover Hitch Receiver Collar TAG	1	12	M8 Flat Washer	4
6	M12x1.25x40 Bolt	8	13	M8x1.25 Nut	2
7	M12 Flat Washer Zinc Clear	8			

Warning:

- This product is for towing purposes only and must only be loaded as shown in your vehicle Owner’s Manual.
- This towbar is NOT to be drilled, cut, welded, or modified in any way.
- Check behind chassis rail and body panels before drilling to ensure no hazards are present

FITTING INSTRUCTIONS

Nissan Patrol Y62 – T7D762



General:

- Before fitting this towbar read fitting instructions and check installation hardware is correct.
- Check that the towbar is suitable for the vehicle and be wary of any changes to the vehicle design that may conflict with the fitting of this towbar.
- After drilling, blow any filings clear, remove any swarf and treat exposed metal with a rust inhibitor.
- If this vehicle requires a bumper cut out, please check to make sure that you measure twice and check twice before cutting any panels as some bumper profiles can change. If you are not sure, then please ask your towbar supplier

FITTING INSTRUCTIONS



Nissan Patrol Y62 – T7D762

Step 1 Remove tail lights



Instructions	Tools	Torque Spec
<p>a. Remove plastic covers from the taillight assemblies.</p> <p>b. Remove 3x M6 bolts fastening the taillight and bumper per side.</p> <p>c. Taillight assembly releases outwards from body. Disconnect wiring harness.</p> <p>d. Remove plastic scrivet from within cavity.</p> <p>e. Retain all fasteners.</p>	<p>Trim tool, 10mm spanner, trim removal tool.</p>	

FITTING INSTRUCTIONS



Nissan Patrol Y62 – T7D762

Step 2 Remove bumper bar



Instructions	Tools	Torque Spec
<ul style="list-style-type: none">a. Remove screws fastening the bumper to the body.b. Remove 6x Torx head screw fastening mudflap.c. Remove 2x bolts rearward of the mudflap.d. Repeat on LHS. Retain all fasteners.e. Remove 2 screws from the bottom of the bumper either side of spare wheel.f. Remove 2x screws from rear most lower bumper retainers & 4 screws attaching lower splash guards.g. Beginning at each wheel arch, gently peel the bumper away from the body around to the base of the taillight cavity.h. Disconnect the reverse sensor harness from the bumper.i. Retain the foam infills located on the crash bar.	Phillips screwdriver, Torx wrench, 10mm spanner.	

FITTING INSTRUCTIONS

Nissan Patrol Y62 – T7D762



Step 3 | Install Towbar



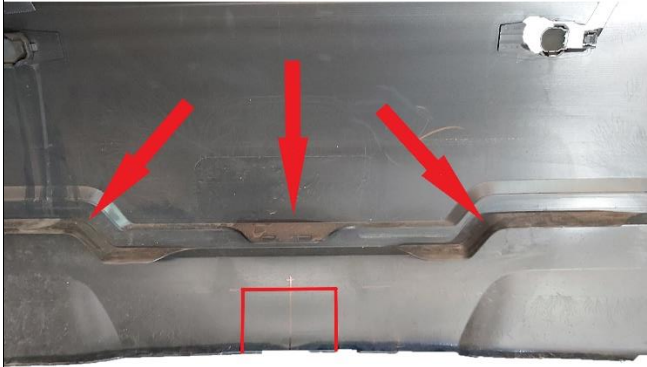
Instructions	Tools	Torque Spec
<p>a. Remove five bolts and towing hook from the LHS chassis rail and discard. Remove & discard bumper retaining brackets & bolts.</p> <p>b. Lift the towbar to the chassis. Loosely secure side arms with M12x 40 bolts, flat & shake proof washers.</p> <p>c. Loosely secure centre plate to crossmember with 4x M12x 40 bolts, flat & shake proof washers.</p> <p>d. Fasten all bolts.</p>	18mm socket & spanner	90Nm

FITTING INSTRUCTIONS



Nissan Patrol Y62 – T7D762

Step 4 | Cut Bumper Bar



Instructions

- Cut the bumper bar to suit the hitch box. (110w x 80h). Fit the supplied pinch weld.
- Remove the horizontal centre tab located above the hitch cut-out.
- Trim the RHS splash guard adjacent rear. (see pic)
- Refit the bumper bar in reverse of steps 1 & 2.
- Fasten lower rear bumper retainers with M8 hardware.

Tools

Air saw, 13mm spanner & sockets

Torque Spec

FITTING INSTRUCTIONS

Nissan Patrol Y62 – T7D762



WARRANTY STATEMENT

The manufacturer of TAG branded products, warrants your TAG Towbar for its full product life under the following conditions:

- You can show proof of purchase.
- The towbar has been correctly installed by a suitably qualified installer.
- The towbar has not been modified or abused in any way and has only been used for the purpose intended.
- The towbar was not fitted second hand to your vehicle.

The extent of this warranty includes materials and workmanship used in the manufacture of the towbar and is to the equivalent value of current, full replacement cost.

Nothing stated or implied in this warranty limits in any way, the statutory rights that you may have.

To make a claim visit the original installer in the first instance or, if you are unable to or are not satisfied with their help, then contact us directly by email at warranty@tagtowing.com