

FITTING INSTRUCTIONS



PART NUMBER: **T2Z587**

Hyundai Accent Sedan 07/11 on
Towing Capacity 1000Kg / Ball Load 100Kg

Lug # L233C

PLEASE ENSURE THAT INSTRUCTIONS ARE UNDERSTOOD PRIOR TO FITMENT

WARNING: Do not, drill, cut, weld or otherwise modify the towbar.

REMOVAL OF BUMPER:



Remove x1 screw from top of wheel arch



Remove x3 screws from front face of wheel

arch.

FITTING INSTRUCTIONS



PART NUMBER: **T2Z587**



Remove x 6 scrivits from top of bumper and also underneath bumper



Remove tail lights to access x1 screw plus x1 scrivit



REINFORCEMENT BAR TO STAY ON

Remove tags circled in photo



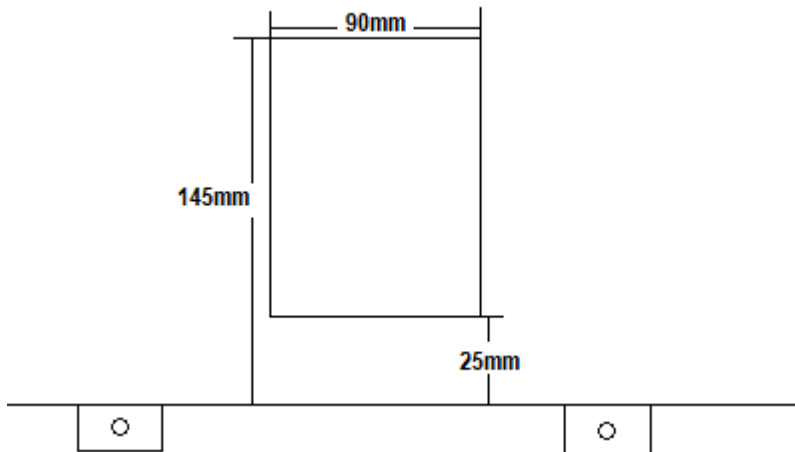
FITTING INSTRUCTIONS



PART NUMBER: **T2Z587**

BUMPER CUT OUT

Once bumper is removed carefully cut out following the dimensions provided.



(Note: as bumper profiles can change please check your measurements before cutting to make sure the dimensions are correct).

FITTING INSTRUCTIONS



PART NUMBER: **T2Z587**

TOWBAR INSTALLATION

Lift towbar to vehicle with the x4 M12 bolts provided secure into the captive nuts on each side of vehicle through the side arms of the towbar. Fully tighten all M12 bolts.



Holes x2 in centre plate are to be drilled through to boot using an 11mm drill bit.



FITTING INSTRUCTIONS



PART NUMBER: **T2Z587**

Strengthening plate provided to be placed inside of boot over drill holes and bolted together with cup head bolts provided, making sure the bolt head is on inside of boot.



Bracket to be bolted to tab underneath towbar using the bolts provided then using the x1



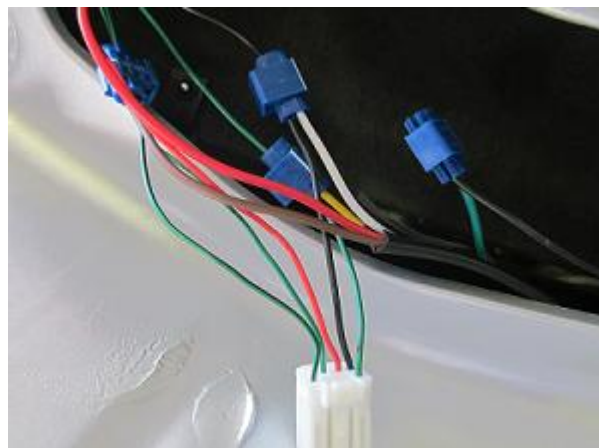
scrivit to bolt other end of bracket on to bumper to secure.

FITTING INSTRUCTIONS



PART NUMBER: **T2Z587**

WIRING



FITTING INSTRUCTIONS



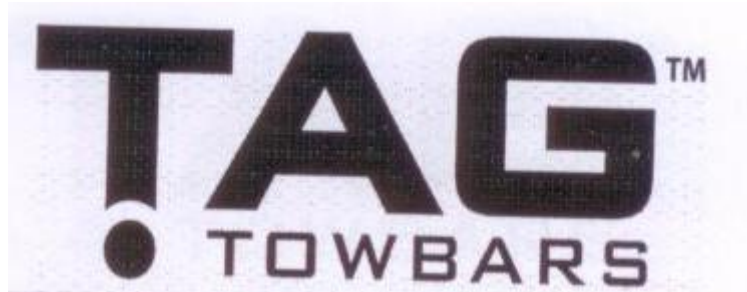
PART NUMBER: **T2Z587**

TAIL	GREEN & BLACK
LEFT	GREEN
RIGHT	DARK BLUE
BRAKE	RED
EARTH	BLACK

FITTING INSTRUCTIONS



PART NUMBER: **T2Z587**



FITTING INSTRUCTIONS PART No'

T2Z587

