
MITSUBISHI TRITON

TUB BODY WITH OUT STEP

2015-ON

Part number T4C636

Maximum towing capacity 3100 kg

Maximum ball load 310 kg

Bar weight 24.5 kg



Fit with wiring harness part No. xxxxx

Fitting Instructions

Warning:

Safety First: Always use correct safety equipment.

This towbar is NOT to be drilled, cut, welded or modified in any way.

Check the surrounding area before drilling into chassis or body panels for fuel lines, wiring harnesses and other components that may be a hazard.

General:

Before fitting this towbar read fitting instructions and check installation hardware is correct.

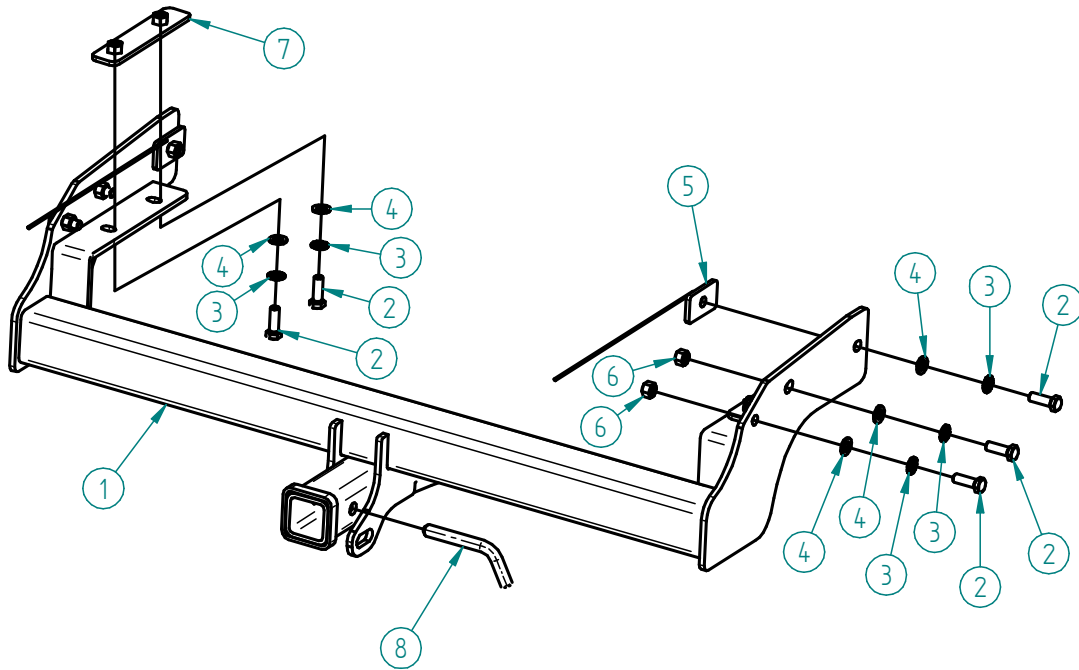
Check that the towbar is suitable for the vehicle and be wary of any changes to the vehicle design that may conflict with the fitting of this towbar.

After drilling, blow any filings clear, remove any swarf and treat exposed metal with a rust inhibitor.

If this vehicle requires a bumper cut out, please check to make sure that you measure twice and check twice before cutting any panels as some bumper profiles can change.

If you are not sure then ask your towbar supplier.

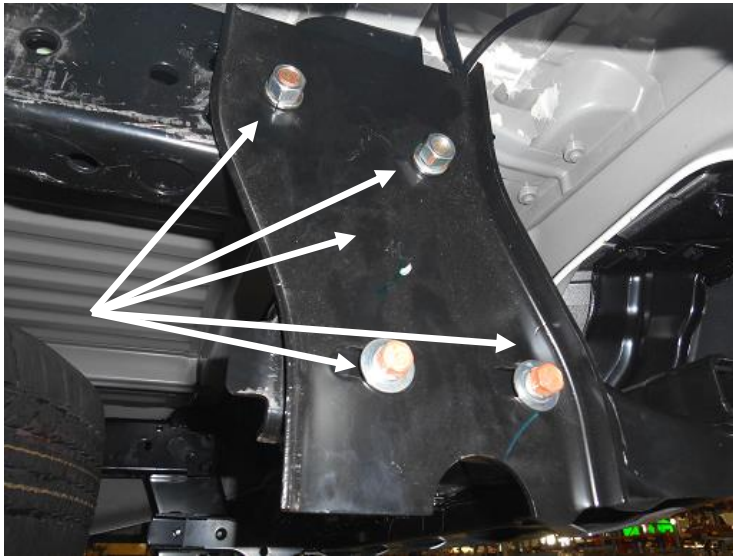
Tighten all bolts as specified on the last page.



Scheme 1

T4C636 Hardware KIT	
Item	Quantity
1. Towbar	1
2. 1/2 x 1 1/2 UNC bolt	10
3. 1/2 shakeproof washer	10
4. 1/2 flat washer	10
5. Nut plate	2
6. 1/2 nut	4
7. Nut plate	2
8. Class 4 pin	1
9. Clip for Class 4 pin	1
10. L4045 ballmount	1
11. Compliance plate	1
12. Door sticker	1

1.

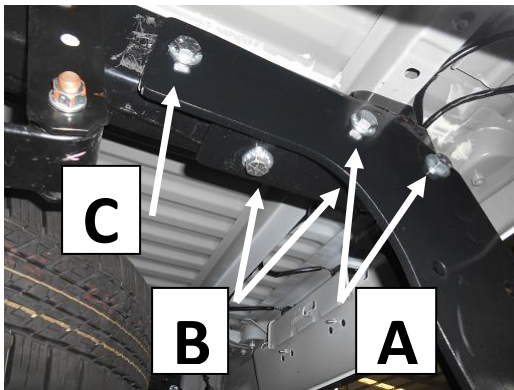


Pic.1

IF FITTED

1.1 Remove and discard step mount bracket and fasteners as shown on Pic.1

2.



Pic.2.1



Pic.2.2

2.1 Lift towbar between the chassis rails and insert fasteners **A** as shown on Pic.2.1 and Scheme 1 and finger tighten fasteners

2.2 Slide Nut plate (Item 7. In Hardware Kit list) into the chassis rail as shown on Pic.2.2. Insert fasteners **B** as shown on Pic.2.1 and Scheme 1 and finger tighten fasteners

2.3 Slide Nut plate (Item 5. In Hardware Kit list) into the chassis rail as shown on Scheme 1. Insert fasteners **C** as shown on Pic.2.1 and tighten all bolts as specified on the torque table

3.

3.1 Fit door sticker inside of the driver's door pillar.

3.2 Fit L4045 ball mount

Torque table for bolt tightening

Metric GRADE 8.8	UNC GRADE 8
M6 – 12.5 Nm	3/8 – 50 Nm
M8 – 30 Nm	1/2 - 125 Nm
M10 – 60 Nm	5/8 – 245 Nm
M12 – 103 Nm	
M14 – 167 Nm	
M16 – 270 Nm	