
IVECO DAILY

35S13

2015-ON

Part number T4P637

Maximum towing capacity 3200 kg

Maximum ball load 320 kg

Bar weight 20.5 kg



Fit with wiring harness part No. xxxxx

Fitting Instructions

Warning:

Safety First: Always use correct safety equipment.

This towbar is NOT to be drilled, cut, welded or modified in any way.

Check the surrounding area before drilling into chassis or body panels for fuel lines, wiring harnesses and other components that may be a hazard.

General:

Before fitting this towbar read fitting instructions and check installation hardware is correct.

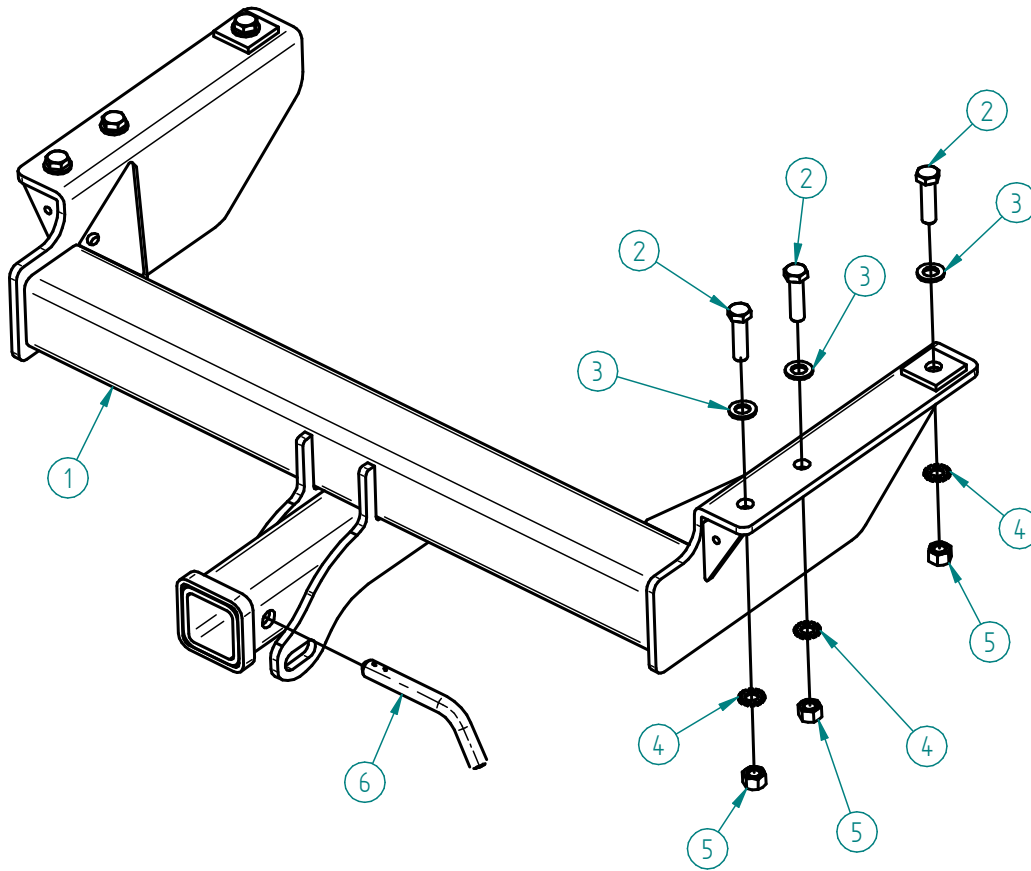
Check that the towbar is suitable for the vehicle and be wary of any changes to the vehicle design that may conflict with the fitting of this towbar.

After drilling, blow any filings clear, remove any swarf and treat exposed metal with a rust inhibitor.

If this vehicle requires a bumper cut out, please check to make sure that you measure twice and check twice before cutting any panels as some bumper profiles can change.

If you are not sure then ask your towbar supplier.

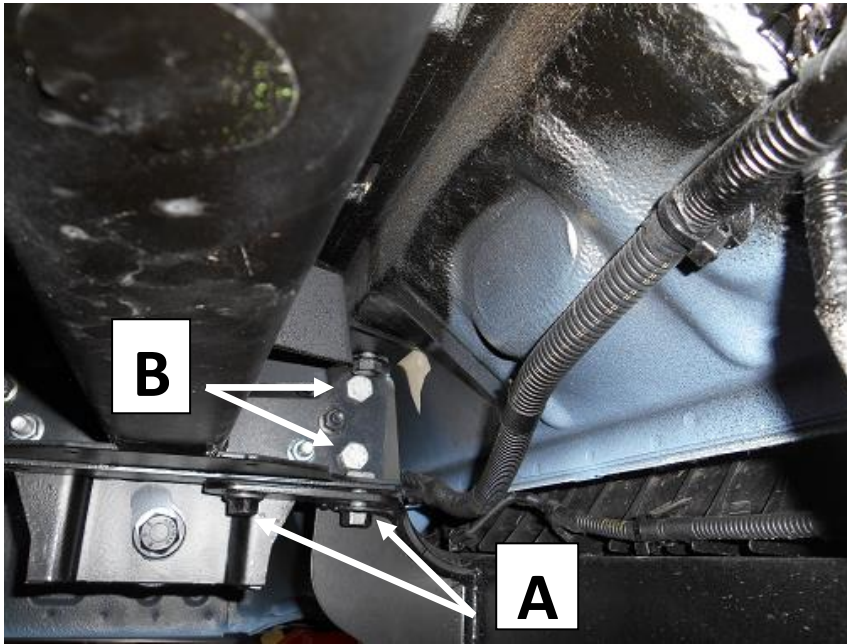
Tighten all bolts as specified on the last page.



Scheme 1

T4X637 Hardware KIT	
Item	Quantity
1. Towbar	1
2. M12 x 40 x 1.75 pitch bolt	6
3. M12 shake proof washer	6
4. M12 flat washer	6
5. M12 x 1.75 pitch nut	6
6. Class 4 pin	1
7. Clip for Class 4 pin	1
8. L4045 ballmount	1
9. Compliance plate	1
10. Door sticker	1

1.

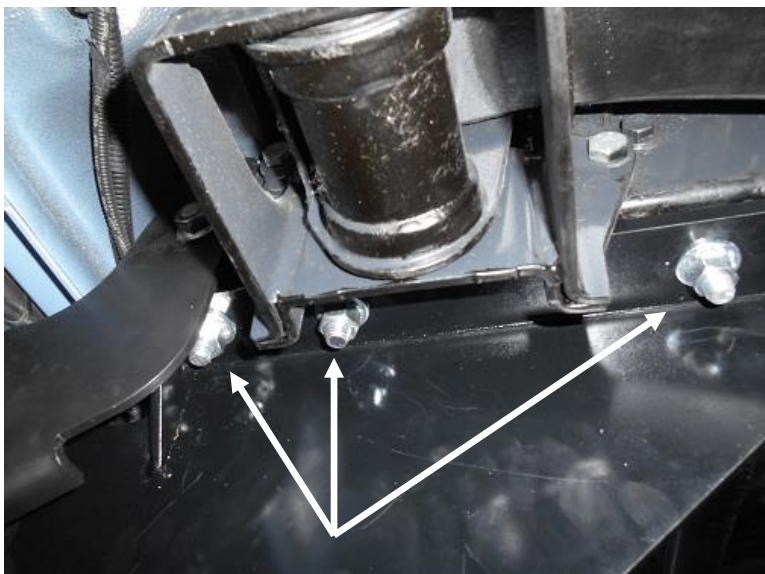


Pic.1

1.1 Remove and discard step fasteners A as shown on Pic.1

1.2 Loosen step fasteners B as shown on Pic.1

2.



Pic.2

2.1 Lift towbar between the chassis rails and insert fasteners as shown on Pic.2 and Scheme 1

2.2 Before tightening fasteners do them all up finger tight first and then tighten all bolts as specified on the torque table

3.

3.1 Retighten step mount fasteners B as shown on Pic.1

3.2 Fit door sticker inside of the driver's door pillar.

3.3 Fit L4045 ball mount

Torque table for bolt tightening

Metric GRADE 8.8	UNC GRADE 8
M6 – 12.5 Nm	3/8 – 50 Nm
M8 – 30 Nm	1/2 - 125 Nm
M10 – 60 Nm	5/8 – 245 Nm
M12 – 103 Nm	
M14 – 167 Nm	
M16 – 270 Nm	