

FITTING INSTRUCTIONS



PART NUMBER: **T4S535**

Subaru Outback Wagon and Subaru Liberty Wagon

09/09 onwards

Towing Capacity 1400 Kg / Ball Load 140 Kg

Lug # L4120

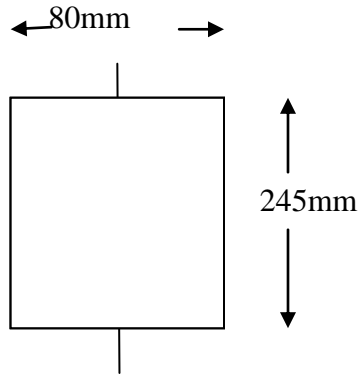
- 1) Remove spare wheel cover and spare wheel.
- 2) Inside the boot open storage panels and remove plastic grommet plug from both sides of vehicle then remove 1x 10mm screw, both sides.
- 3) Remove 1x plastic push pull clips from under side of mud flap and 4x plastic push pull clips from under side of bumper.
- 4) Peel bumper down and out from wheel arches, remove bumper.
- 5) Undo 6x 12mm nuts from impact beam, remove impact beam and discard.
- 6) Undo 6x nuts from impact beam supports and remove, leaving bumper support in place.
- 7) Fit tow bar to vehicle using 8x m8 whiz nuts supplied fit to studs off rear of vehicle leaving loose.
- 8) Fit 2x m10 x 35mm bolts, with spring washer through top of chassis in boot into captive nuts in towbar.
- 9) Using the towbar as a guide, drill 1x 11mm hole into spare wheel well. Fit bolt & plate through boot, and nut & washer from underneath.
- 10) Tighten all bolts and nuts.
- 11) Cut bumper as follows: From top end of bumper:

FITTING INSTRUCTIONS

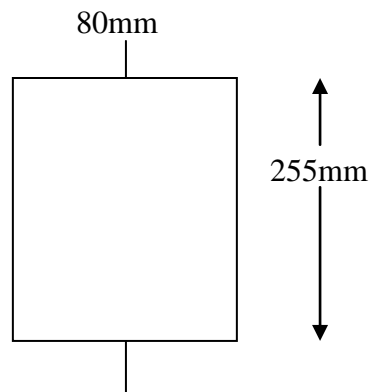


PART NUMBER: T4S535

Subaru Liberty Wagon



Subaru Outback Wagon



(Note: As bumper profiles can change please check your measurements before cutting to make sure the dimensions are correct).

RECOMMENDED ASSEMBLY TORQUE LISTING

<u>Diameter</u>	<u>Grade 8.8 Bolt</u>	<u>Nm</u>
M6		9.5
M8		21.7
M10		43.4
M12		77.3
M16		189.8