

FITTING INSTRUCTIONS

Kia Sportage/Hyundai Tucson (2019-on) – T7K697



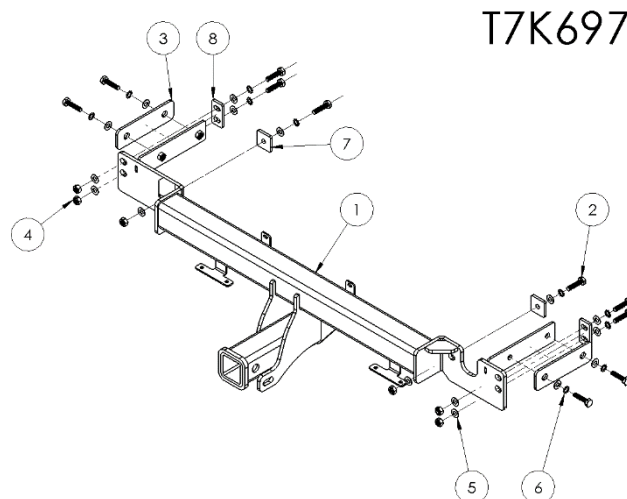
Max Towing Capacity: 1900Kg	Towbar Weight: approx. 15Kg
Max Ball Load: 100Kg	Wiring Harness Part #: UNTEC2W



Tools Required:

M10 Spanners/Sockets, Torque Wrench (**Torque all M10 Bolts to 60Nm**), Screwdrivers, Trim Removal Tools, Air Saw or similar

Kit Contents					
Item #	Description	Qty	Item #	Description	Qty
1.	Towbar (T7K697)	1	5.	M10 Flat Washer	16
2.	M10x1.25x40 Bolt	10	6.	M10 Shake Proof Washer	10
3.	Outer Chassis rail plate	2	7.	M10 Square Plate	2
4.	M10x1.25 Nut	6	8.	M10 Dual Slot Plate	2
9.	Towbar Info Label	1	-	-	-



Warning:

- This product is for towing purposes only and must only be loaded as shown in your vehicle Owner's Manual.
- This towbar is NOT to be drilled, cut, welded or modified in any way.
- Check behind chassis rail and body panels before drilling to ensure no hazards are present

General:

- Before fitting this towbar read fitting instructions and check installation hardware is correct.
- Check that the towbar is suitable for the vehicle and be wary of any changes to the vehicle design that may conflict with the fitting of this towbar.
- After drilling, blow any filings clear, remove any swarf and treat exposed metal with a rust inhibitor.
- If this vehicle requires a bumper cut out, please check to make sure that you measure twice and check twice before cutting any panels as some bumper profiles can change. If you are not sure, then please ask your towbar supplier

FITTING INSTRUCTIONS

Kia Sportage/Hyundai Tucson (2019-on) – T7K697

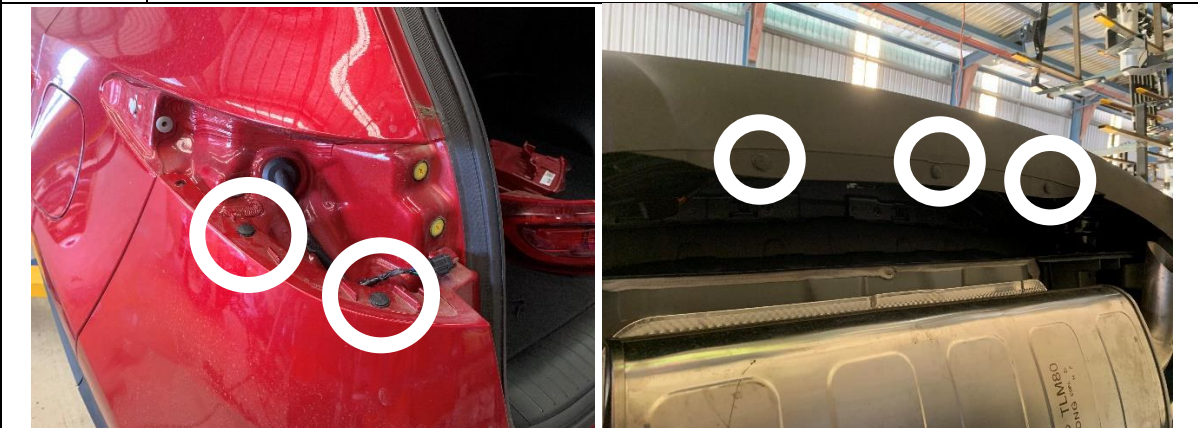


Step 1 Remove Tail Lights



Instructions	Tools	Fasteners/Torques
Remove/unclip the plastic cover on the tail light (both sides). Unscrew 2x tail light fasteners and remove the tail light. Unplug the light. (both sides).	Trim Removal Tools. Philips head screwdriver	NA

Step 2 Remove Bumper Clips



Instructions	Tools	Fasteners/Torques
Remove 2x plastic clips from inside the tail light cavity (both sides). Unclip 3x plastic rivets on the bottom of the rear bumper.	Trim Removal Tools	NA

FITTING INSTRUCTIONS

Kia Sportage/Hyundai Tucson (2019-on) – T7K697



Step 3 Remove Mud Guards and Plastic Covers



Instructions	Tools	Fasteners/Torques
Unscrew 4x fasteners and remove mud flaps (both sides). Unclip 3x push rivets and remove plastic covers behind each rear wheel.	Screwdriver Trim removal tools	NA

Step 4 Unbolt impact beam from chassis



Instructions	Tools	Fasteners/Torques
Remove 3x bolts at the end of the chassis rail, for the impacts beam (both sides)	M10 spanner/socket	NA

FITTING INSTRUCTIONS

Kia Sportage/Hyundai Tucson (2019-on) – T7K697



Step 5 Remove Rear Bumper



Instructions	Tools	Fasteners/Torques
Unclip and remove the rear bumper. Disconnecting any applicable wiring looms. Remove impact beam from bumper and discard. Where applicable detach smart key antenna and wiring from the impact beam.	NA	NA

Step 6 Position Towbar



Instructions	Tools	Fasteners/Torques
Position Towbar as shown.	NA	NA

FITTING INSTRUCTIONS

Kia Sportage/Hyundai Tucson (2019-on) – T7K697

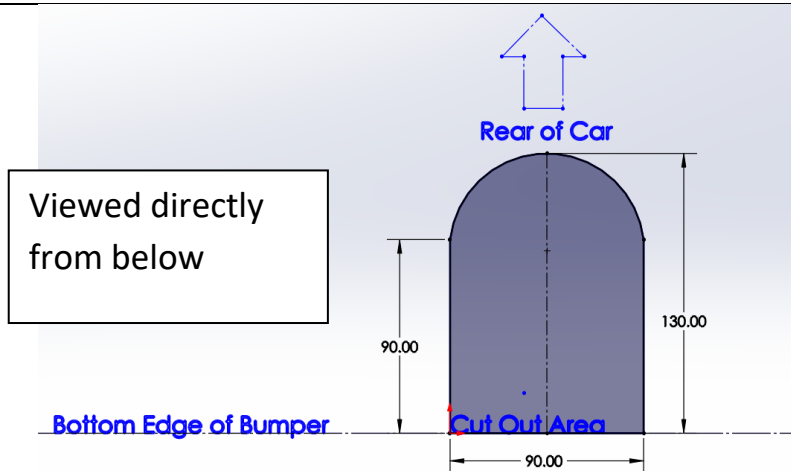


Step 7 Fasten Towbar to Vehicle Using Supplied Hardware



Instructions	Tools	Fasteners/Torques
<p>(Loosely secure hardware initially, then when all hardware is in place torque to noted spec)</p> <ul style="list-style-type: none"> - Use largest dual hole plate, along with 2x M10 bolts, shake proof and flat washers to fasten through the side of the chassis rail into the nuts welded to the towbar. - Use the smaller slotted dual hole plate, along with 2 x M10 bolts, nuts, shake proof washers, and 4x flat washers to fasten the towbar to vehicle through the outer rear facing holes. - Use 1x M10 bolt, nut, shake proof washer and 2x flat washers, to fasten the towbar to the vehicle through the inner rear facing holes. 	<p>M10 Spanner, Socket Torque Wrench</p>	<p>M10 Bolt Shake Proof Washer Flat Washer M10 Nut (60Nm)</p>

Step 8 Cut Bumper



Instructions	Tools	Fasteners/Torques
<p>Locate the centre of the bumper along the bottom edge. Viewing from directly beneath the bumper, create bumper cut as shown in the diagram. Note: this is a guideline and may need to be modified if the bumper is still in contact with the towbar.</p>	<p>Air Saw</p>	<p>NA</p>

FITTING INSTRUCTIONS

Kia Sportage/Hyundai Tucson (2019-on) – T7K697



Step 9 Refit Bumper, Plastic Trim, Mud Guards & Tail lights		
Instructions	Tools	Fasteners/Torques
<ul style="list-style-type: none"> - Complete steps 1-5 in reverse to refit the bumper, plastic trim, mud guards and tail lights, using hardware removed from the vehicle previously. - Use 2x lower push rivets from lower edge of the bumper to clip this edge to the lower tabs on the towbar as shown. - Clip the sensors that were detached from the impact beam to the tabs on upper tabs on the towbar. 	Screwdrivers	NA

Step 10 Apply Sticker to Door Jam		
Instructions	Tools	Fasteners/Torques
Apply Towbar info label to the inside of the driver's side door Jam.	NA	NA

FITTING INSTRUCTIONS

Kia Sportage/Hyundai Tucson (2019-on) – T7K697



WARRANTY STATEMENT

The manufacturer of TAG branded products, warrants your TAG Towbar for its full product life under the following conditions:

- You can show proof of purchase.
- The towbar has been correctly installed by a suitably qualified installer.
- The towbar has not been modified or abused in any way and has only been used for the purpose intended.
- The towbar was not fitted second hand to your vehicle.

The extent of this warranty includes materials and workmanship used in the manufacture of the towbar and is to the equivalent value of current, full replacement cost.

Nothing stated or implied in this warranty limits in any way, the statutory rights that you may have.

To make a claim visit the original installer in the first instance or, if you are unable to or are not satisfied with their help, then contact us direct by phone on 07 3208 3022 or via email qldsales@arandatowbars.com.au