

FITTING INSTRUCTIONS

Hyundai Tucson 05/2015- On – T2Z641



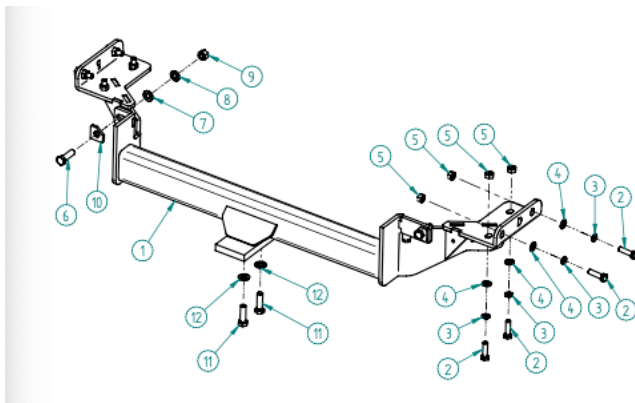
Max Towing Capacity: 1600kg	Towbar Weight: 14kg
Max Ball Load: 160kg	Wiring Harness Part #: UNT336



Tools Required:

- Spanners, Sockets, Torque Wrench

Kit Contents					
Item No.	Description	Qty	Item No.	Description	Qty
1.	Towbar	1	8.	UNC ½ flat washer	2
2.	M10 x 30 x 1.25 Pitch Bolt	8	9.	UNC ½ nut	2
3.	M10 shakeproof washer	8	10.	Top Plate	2
4.	M10 flat washer	8	11.	M16 x 40 x 2 Pitch bolt	2
5.	M10 x 1.25 pitch nut	8	12.	M16 Spring washer	2
6.	UNC 1½ Pitch bolt	2	13.	L201C tongue	1
7.	UNC ½ shakeproof washer	2	14.	Compliance sticker	1



Warning:

- This product is for towing purposes only and must only be loaded as shown in your vehicle Owners Manual.
- This towbar is NOT to be drilled, cut, welded or modified in any way.
- Check behind chassis rail and body panels before drilling to ensure no hazards are present

General:

- Before fitting this towbar read fitting instructions and check installation hardware is correct.
- Check that the towbar is suitable for the vehicle and be wary of any changes to the vehicle design that may conflict with the fitting of this towbar.
- After drilling, blow any filings clear, remove any swarf and treat exposed metal with a rust inhibitor.

FITTING INSTRUCTIONS

Hyundai Tucson 05/2015- On – T2Z641



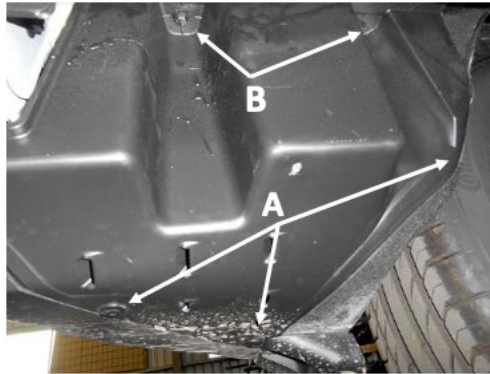
- If this vehicle requires a bumper cut out, please check to make sure that you measure twice and check twice before cutting any panels as some bumper profiles can change. If you are not sure, then please ask your towbar supplier

FITTING INSTRUCTIONS

Hyundai Tucson 05/2015- On – T2Z641



Step 1 Remove Plastic Shields



Instructions

- Remove plastic shields by removing plastic scrivenets "A" and then pulling the shields downwards, off from the studs "B" as shown above.

Tools

Flat Screwdriver

Torque Spec

N/A

Step 2 Undo Exhaust Hangers



Instructions

- Undo muffler and tailpipe from the hanger rubber brackets as shown in the images above.

Tools

N/A

Torque Spec

N/A

FITTING INSTRUCTIONS

Hyundai Tucson 05/2015- On – T2Z641



Step 3 | Install Towbar



Instructions

- Slide the towbar against the chassis rails and insert all fasteners finger tight, as shown in the image above

Tools

N/A

Torque Spec

N/A

Step 4 | Install Towbar



Instructions

- Align ear brackets up with the hole and insert fasteners, shown above
- Tighten all bolts to specified torque spec

Tools

Torque Wrench

Torque Spec

M10- 60Nm
M16-270Nm
UNC ½ -
125Nm

FITTING INSTRUCTIONS

Hyundai Tucson 05/2015- On – T2Z641



Step 5		
Instructions	Tools	Torque Spec
b. Fit supplied door sticker inside of drivers door pillar	N/A	N/A
c. Fit supplied L201C tongue to the towbar		



WARRANTY STATEMENT

The manufacturer of TAG branded products, warrants your TAG Towbar for its full product life under the following conditions:

- You can show proof of purchase.
- The towbar has been correctly installed by a suitably qualified installer.
- The towbar has not been modified or abused in any way and has only been used for the purpose intended.
- The towbar was not fitted second hand to your vehicle.

The extent of this warranty includes materials and workmanship used in the manufacture of the towbar and is to the equivalent value of current, full replacement cost.

Nothing stated or implied in this warranty limits in any way, the statutory rights that you may have.

To make a claim visit the original installer in the first instance or, if you are unable to or are not satisfied with their help, then contact us directly by email at warranty@tagtowing.com