

FITTING INSTRUCTIONS



Mitsubishi Triton Styleside + Step 2015-on – T4C635

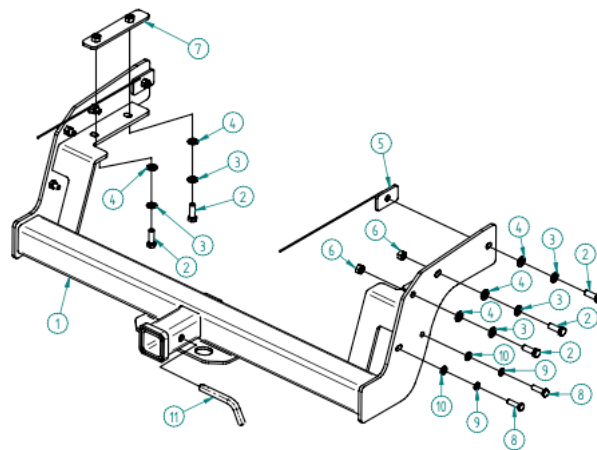
Max Towing Capacity: 3100kg	Towbar Weight: 27kg
Max Ball Load: 310kg	Wiring Harness Part #: UNT263 / UNT343



Tools Required:

- Spanners, Sockets, Torque Wrench

Kit Contents					
Item No.	Description	Qty	Item No.	Description	Qty
1.	Towbar	1	9.	M10 shakeproof washer	4
2.	½ x 1½ UNC bolt	10	10.	M10 flat washer	4
3.	½ shakeproof washer	10	11.	Class 4 pin	1
4.	½ flat washer	10	12.	Clip for class 4 pin	1
5.	Nut plate	2	13.	L4045 ballmount	1
6.	½ Nut	4	14.	Compliance plate	1
7.	Nut Plate	2	15.	Door sticker	1
8.	M10x35x1.25 pitch bolt	4			



Warning:

- This product is for towing purposes only and must only be loaded as shown in your vehicle Owners Manual.
- This towbar is NOT to be drilled, cut, welded or modified in any way.
- Check behind chassis rail and body panels before drilling to ensure no hazards are present

General:

- Before fitting this towbar read fitting instructions and check installation hardware is correct.
- Check that the towbar is suitable for the vehicle and be wary of any changes to the vehicle design that may conflict with the fitting of this towbar.
- After drilling, blow any filings clear, remove any swarf and treat exposed metal with a rust inhibitor.

FITTING INSTRUCTIONS

Mitsubishi Triton Styleside + Step 2015-on – T4C635



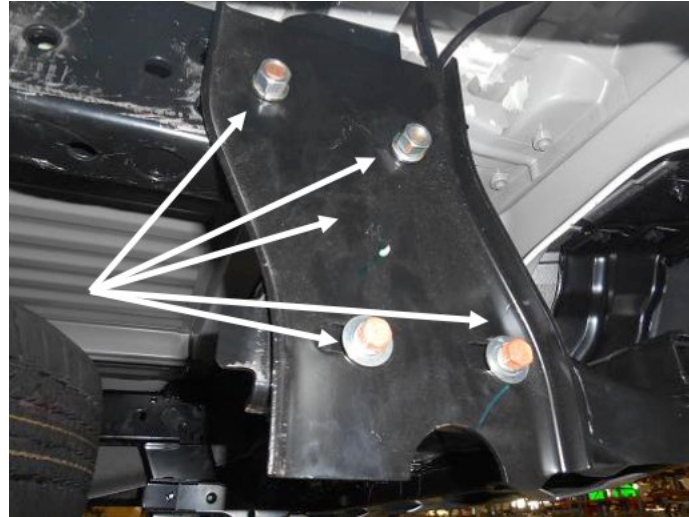
- If this vehicle requires a bumper cut out, please check to make sure that you measure twice and check twice before cutting any panels as some bumper profiles can change. If you are not sure, then please ask your towbar supplier

FITTING INSTRUCTIONS



Mitsubishi Triton Styleside + Step 2015-on – T4C635

Step 1 Remove Step Bracket



Instructions

- Remove and discard step mount bracket and fasteners as shown above

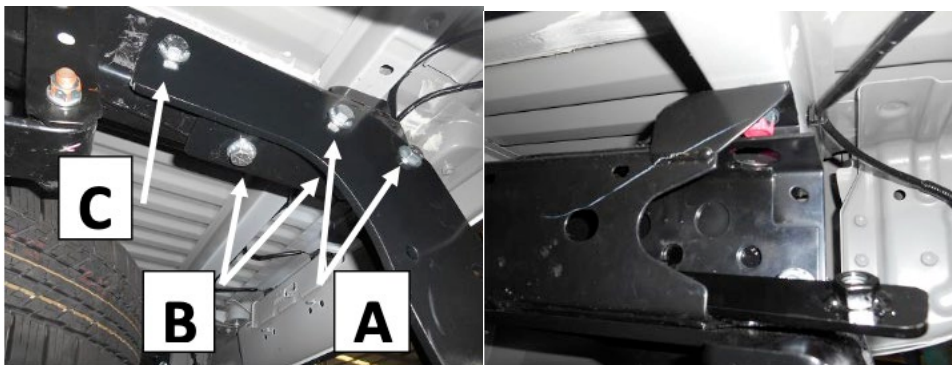
Tools

Spanners

Torque Spec

N/A

Step 2 Towbar Fitment



Instructions

- Lift towbar between chassis rails and insert fasteners "A" as shown above and finger tighten.
- Slide Nut plate (Item 7. In Hardware Kit List) into the chassis rail as shown in the second image above. Then insert and finger tighten fasteners "B".

Tools

N/A

Torque Spec

N/A

FITTING INSTRUCTIONS



Mitsubishi Triton Styleside + Step 2015-on – T4C635

<p>c. Slide Nut plate (Item 5. In Hardware Kit list) into chassis shown in the first image. Insert fasteners “C”.</p> <p>d. Tighten all bolts to 60Nm with a torque wrench.</p>		
---	--	--

Step 3 | Finishing up



Instructions	Tools	Torque Spec
<p>a. Slide the step between the towbar endplates and use the fasteners (item no 8,9,10 in the hardware kit) to secure the step as shown and torque to 60Nm</p> <p>b. Fit door sticker inside of drivers door pillar</p> <p>c. Fit L4045 Ball mount</p>	<p>-Torque Wrench - Spanners</p>	<p>M10- 60Nm UNC ½ - 125Nm</p>

FITTING INSTRUCTIONS

Mitsubishi Triton Styleside + Step 2015-on – T4C635



WARRANTY STATEMENT

The manufacturer of TAG branded products, warrants your TAG Towbar for its full product life under the following conditions:

- You can show proof of purchase.
- The towbar has been correctly installed by a suitably qualified installer.
- The towbar has not been modified or abused in any way and has only been used for the purpose intended.
- The towbar was not fitted second hand to your vehicle.

The extent of this warranty includes materials and workmanship used in the manufacture of the towbar and is to the equivalent value of current, full replacement cost.

Nothing stated or implied in this warranty limits in any way, the statutory rights that you may have.

To make a claim visit the original installer in the first instance or, if you are unable to or are not satisfied with their help, then contact us directly by email at warranty@tagtowing.com