

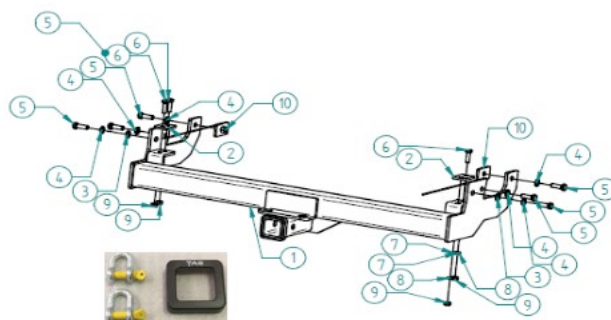
# FITTING INSTRUCTIONS

Toyota Hilux Cab Chassis 04/05-On – T4T129



<b>Max Towing Capacity:</b> 3500kg	<b>Towbar Weight:</b> N/A
<b>Max Ball Load:</b> 350kg	<b>Wiring Harness Part #:</b> REFER <a href="http://www.swd.com.au">www.swd.com.au</a>

Kit Contents					
Item No.	Description	Qty	Item No.	Description	Qty
1.	Towbar – T4T129	1	6.	M10 x 30 1.5 Bolt	4
2.	Top Plate	2	7.	M10 Washer	4
3.	M12 Washer	2	8.	M10 Shakeproof Washer	4
4.	M12 Shakeproof Washer	6	9.	M10 x 1.5 Nut	4
5.	M12 x 35 x 1.25 Bolt	6	10.	Top Plate with M12 x 1.25 Nut and Wire	2



## Warning:

- This product is for towing purposes only and must only be loaded as shown in your vehicle Owners Manual.
- This towbar is NOT to be drilled, cut, welded or modified in any way.
- Check behind chassis rail and body panels before drilling to ensure no hazards are present

## General:

- Before fitting this towbar read fitting instructions and check installation hardware is correct.
- Check that the towbar is suitable for the vehicle and be wary of any changes to the vehicle design that may conflict with the fitting of this towbar.
- After drilling, blow any filings clear, remove any swarf and treat exposed metal with a rust inhibitor.
- If this vehicle requires a bumper cut out, please check to make sure that you measure twice and check twice before cutting any panels as some bumper profiles can change. If you are not sure, then please ask your towbar supplier

# FITTING INSTRUCTIONS

Toyota Hilux Cab Chassis 04/05-On – T4T129



<b>Step 1</b>   <b>Preparing the Towbar for Fitment</b>		
<b>Instructions</b>	<b>Tools</b>	<b>Torque Spec</b>
a. Remove bolts from Towbar.	Spanner	N/A

<b>Step 2</b>   <b>Towbar Fitment</b>		
<b>Instructions</b>	<b>Tools</b>	<b>Torque Spec</b>
a. Position towbar in place b. Fit 4 x M12x 1.25mm bolts and washers into welded nuts on side of chassis rail c. Slide plate on wire down chassis to line up with front hole in towbar M12 x 1.5mm bolts and washers into plate on wire. d. Place 1 on each side, steel plate 60mm x 40mm x 5mm to line up with holes in the bottom of chassis rail e. Fit 4 x M10 x 1.5 bolts through plate chassis and towbar and fit washers and nuts to bolts f. Torque bolts accordingly	-Torque Wrench -Spanner	M10- 43.4Nm M12- 77.2Nm

<b>Step 3</b>   <b>Finishing up</b>		
<b>Instructions</b>	<b>Tools</b>	<b>Torque Spec</b>
a. Place Sticker in drivers side door jam.	N.A	N/A

# FITTING INSTRUCTIONS

Toyota Hilux Cab Chassis 04/05-On – T4T129



## WARRANTY STATEMENT

The manufacturer of TAG branded products, warrants your TAG Towbar for its full product life under the following conditions:

- You can show proof of purchase.
- The towbar has been correctly installed by a suitably qualified installer.
- The towbar has not been modified or abused in any way and has only been used for the purpose intended.
- The towbar was not fitted second hand to your vehicle.

The extent of this warranty includes materials and workmanship used in the manufacture of the towbar and is to the equivalent value of current, full replacement cost.

Nothing stated or implied in this warranty limits in any way, the statutory rights that you may have.

To make a claim visit the original installer in the first instance or, if you are unable to or are not satisfied with their help, then contact us directly by email at [warranty@tagtowing.com](mailto:warranty@tagtowing.com)