

FITTING INSTRUCTIONS

Suzuki Jimny 19-on – T7U732



Max Towing Capacity: 1300kg	Towbar Weight: 15kg
Max Ball Load: 75kg	Wiring Harness Part #:

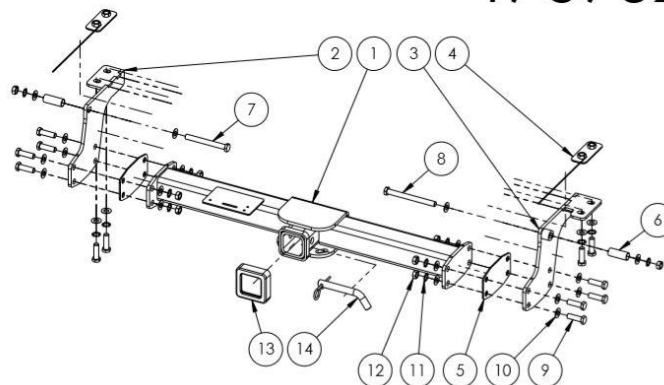


Tools Required:

- Spanners, Sockets, Torque Wrench

Kit Contents					
Item No.	Description	Qty	Item No.	Description	Qty
1.	Towbar Centre Section	1	9.	M12x1.75x40 Bolt	12
2.	End Plate PS	1	10.	M12 Flat Washer	24
3.	End Plate DS	1	11.	M12 Shake Proof Washer	14
4.	Nut Plate (M12) on wire	2	12.	M12x1.75 Nut	10
5.	Spacer 3mm	2	13.	Hitch Collar Cover	1
6.	Chassis Spacer Tube	2	14.	Pin & Clip	1
7.	M12x1.75x90 Bolt	1	...	D-Shackles	2
8.	M12x1.75x110 Bolt	1	...	Compliance Label	1

T7U732



Warning:

- This product is for towing purposes only and must only be loaded as shown in your vehicle Owners Manual.
- This towbar is NOT to be drilled, cut, welded or modified in any way.
- Check behind chassis rail and body panels before drilling to ensure no hazards are present

General:

- Before fitting this towbar read fitting instructions and check installation hardware is correct.
- Check that the towbar is suitable for the vehicle and be wary of any changes to the vehicle design that may conflict with the fitting of this towbar.
- After drilling, blow any filings clear, remove any swarf and treat exposed metal with a rust inhibitor.
- If this vehicle requires a bumper cut out, please check to make sure that you measure twice and check twice before cutting any panels as some bumper profiles can change. If you are not sure, then please ask your towbar supplier

FITTING INSTRUCTIONS

Suzuki Jimny 19-on – T7U732



Step 1 | Remove Rear Bumper



Instructions	Tools	Torque Spec
<p>Carefully Remove Rear Bumper and set aside (retain all hardware):</p> <ul style="list-style-type: none">- Remove 2x Bolts Securing the bottom edge of the bumper- Remove 1x Bolt from Each wheel well- Remove 4x Bolts and 2x Plastic Rivets from inside the rear door jam on top edge of the bottom- Unclip plastic cover and unplug concealed plugs, disconnect any other wiring attached to the rear bumper	Spanners, Sockets, Trim Removal Tools	NA

FITTING INSTRUCTIONS

Suzuki Jimny 19-on – T7U732



Step 2 | Fit Towbar End Plates



Instructions	Tools	Torque Spec
<p>Loosely secure both towbar end plates to the chassis.</p> <ul style="list-style-type: none"> - Using 2x M12x40 Bolts, Shake Proof & Flat Washers upwards through each chassis rail, into M12 Nut Plate on Wire (inside chassis rail) - Using 1x M12x90 on the passenger side and 1x M12x110 on the drivers side, with Shake Proof & Flat washers and Nuts. Use the Chassis Spacer/Crush Tube Provided inside the chassis rail. <p>Tighten the bolts to hold the end plates against the chassis rails. DO NOT tighten to torque spec.</p>	<p>Spanners, Sockets</p>	<p>NA</p>

Step 3 | Determine if Spacers are Required



Instructions	Tools	Torque Spec
<p>Position the Towbar centre section between the two end plates. If there is more than approx. 3mm clearance between the parts on each side, then spacers will be required. If the clearance is less than this, spacers will not be required between the parts.</p>	<p>NA</p>	<p>NA</p>

FITTING INSTRUCTIONS

Suzuki Jimny 19-on – T7U732



Step 4 | Secure Towbar Centre Section



Instructions	Tools	Torque Spec
Secure Towbar Centre section to the end plates: - Using 4x M12x40 Bolts, Nuts & Shake Proof Washers, 8x M12 Flat Washers, and 1x Spacer (if required) per side. When all hardware is in place, tighten all bolts (including those into the chassis rails) to the torque specified.	Spanner, Sockets, Torque Wrench	M12 = 100Nm

Step 5 | Refit Rear Bumper



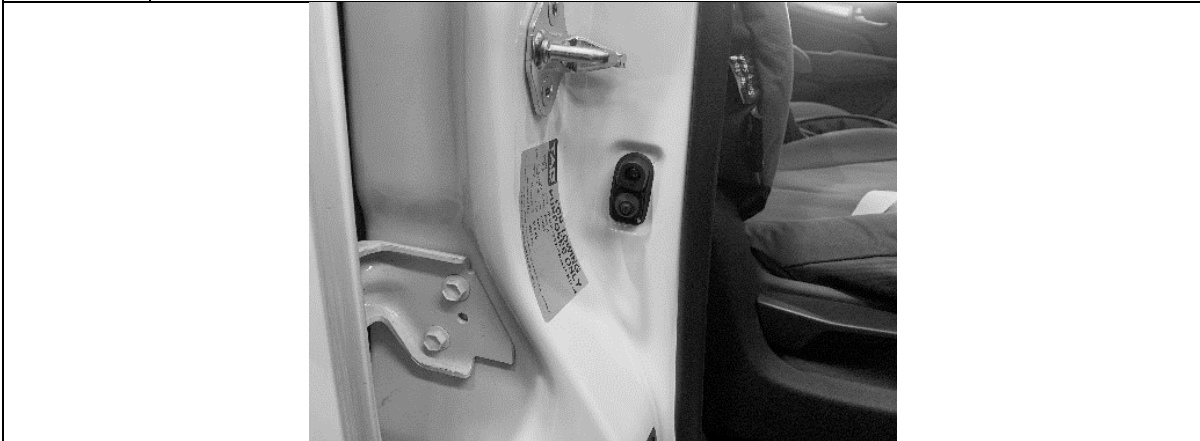
Instructions	Tools	Torque Spec
Reverse Process of step 1 to refit the rear bumper. Ensure all wiring is connected.	Spanners, Sockets	NA

FITTING INSTRUCTIONS

Suzuki Jimny 19-on – T7U732



Step 6 | Apply door sticker



Instructions	Tools	Torque Spec
Apply Towbar info label to the inside of the driver's side door Jam.	N/A	N/A



WARRANTY STATEMENT

The manufacturer of TAG branded products, warrants your TAG Towbar for its full product life under the following conditions:

- You can show proof of purchase.
- The towbar has been correctly installed by a suitably qualified installer.
- The towbar has not been modified or abused in any way and has only been used for the purpose intended.
- The towbar was not fitted second hand to your vehicle.

The extent of this warranty includes materials and workmanship used in the manufacture of the towbar and is to the equivalent value of current, full replacement cost.

Nothing stated or implied in this warranty limits in any way, the statutory rights that you may have.

To make a claim visit the original installer in the first instance or, if you are unable to or are not satisfied with their help, then contact us directly by email at warranty@tagtowing.com