



## SAFARI V-SPEC SNORKEL

SS401HF

04/02/03

ITEM	DESCRIPTION	QTY	PART NO
	BODY - SNORKEL	1	325-133-000
2	3 1/2" AIR RAM ASSEMBLY	1	000-135-250
3	BRACKET - UPPER MOUNTING	1	325-032-000
4	BOLT - HEX- 6mm x 12mm	2	000-002-100
7	BOLT - S/H - 8mm x 1.25 x 20m m	2	000-043
8	WASHER - STAR- 8mm	2	000-305
9	STUD - S/S - 8mm x 1.25 x 25mm - O/L	3	000-110
10	WASHER - BODY - 8mm x 30mm	3	000-311
11	NUT - NYLOC - 8mm x 1.25	3	000-205
12	CUFFED HOSE - 75mm I.D. x 2000mm	1	000-885-2'00
13	CLAMP - HOSE - 60/80	2	000-907
14	TEMPLATE	1	325-017-000
15	TIE - CABLE - 365mm	5	000-987-365
16	HOSE - SILICON - 2 3/4" ID x 25mm	1	000-804-100
17	HOSE CLAMP - SIZE 56 (BLACK)	1	000-914/B

# **WARNING!!**

**IT IS AN INSTALLER  
RESPONSIBILITY TO VERIFY  
ALL COMPONENTS, AND  
PARTICULARLY THE  
TEMPLATE ARE CORRECT,  
BEFORE STARTING ANY PART  
OF THE SNORKEL  
INSTALLATION.**

**(CHECK TEMPLATE AGAINST  
SNORKEL BODY)**



## SAFARI V-SPEC SNORKEL SS401HF

---

To Suit: TOYOTA LANDCRUISER BJ 40 (42)

B DIESEL (3.0L)  
38 DIESEL (3.4L)

---

**Fitment to:** Left hand side

**Fitting time:** Approximately 90 minutes

**Comments:** Fits vehicles with a right hand air cleaner fitment

**Special Tools:** Air Hacksaw  
6mm Allen key

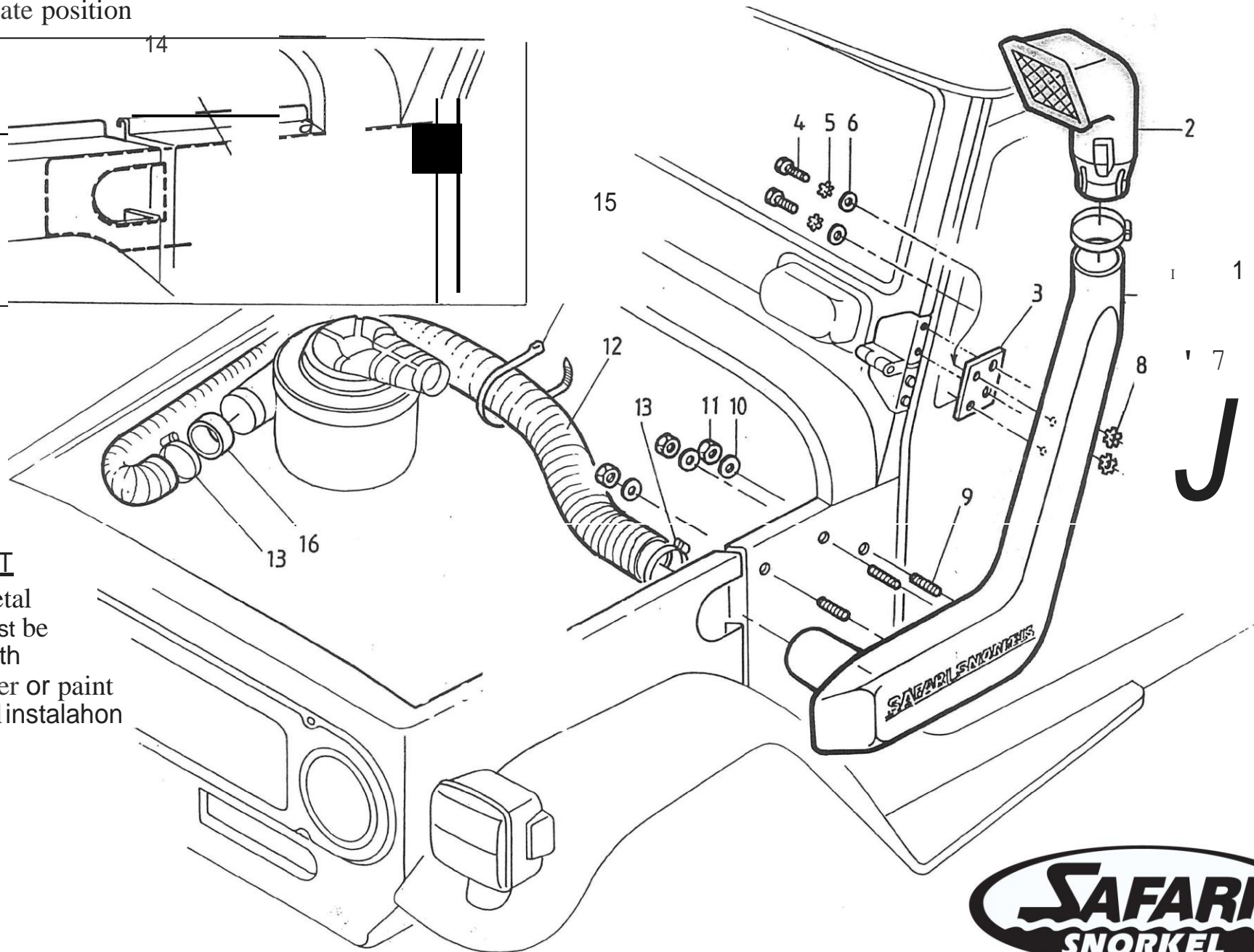
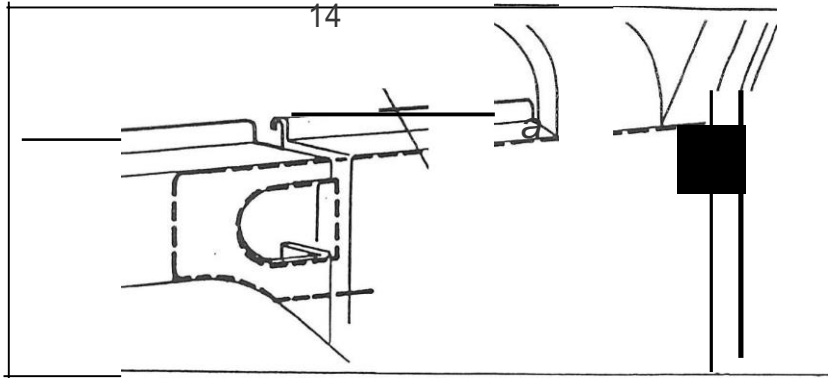


## SAFARI V-SPEC SNORKEL

### Instructions:

1. Tape the template in position on the left hand side of the vehicle. The top edge of the template should match the top edge of the panel. The lower edge of the template should fit around the vents. Mark the hole positions using a felt pen and remove the template.
2. Using an air hacksaw or similar, cut out the main "D" shaped hole in the side panel. It is essential that the rear portion of this hole is removed completely, as body flexing may cause damage to the snorkel snout otherwise. The small mounting holes should be drilled to 16mm using a stepdrill. Deburr all the holes to leave a smooth edge.
3. Paint all holes to prevent rust.
4. Remove the 2 side bolts from the upper half of the windscreen frame hinge. Use 8mm x 20mm socket head bolts to fasten the upper mounting bracket to the windscreen hinge.
5. Screw the 3 stainless steel studs into the inserts in the back face of the snorkel body. Position the snorkel body on the vehicle and secure using appropriate hardware.
6. Remove the plastic ducting from the air cleaner snout. Slide the silicone hose sleeve over the air cleaner snout. Joint the air cleaner to the snorkel snout, using the 2m length of ducting. Secure the ducting in a safe location with the cable ties. The ducting may need to be crushed slightly to allow it to fit between the air cleaner and the vehicle bodywork. Secure each end of the ducting with a 60/80 clamp.
7. Sit the air ram on top of the snorkel body and fasten using the clamp provided.

Template position



**IMPORTANT**

All bare metal surfaces must be protected with metal primer or paint prior to final instalahon

