

FITTING INSTRUCTIONS

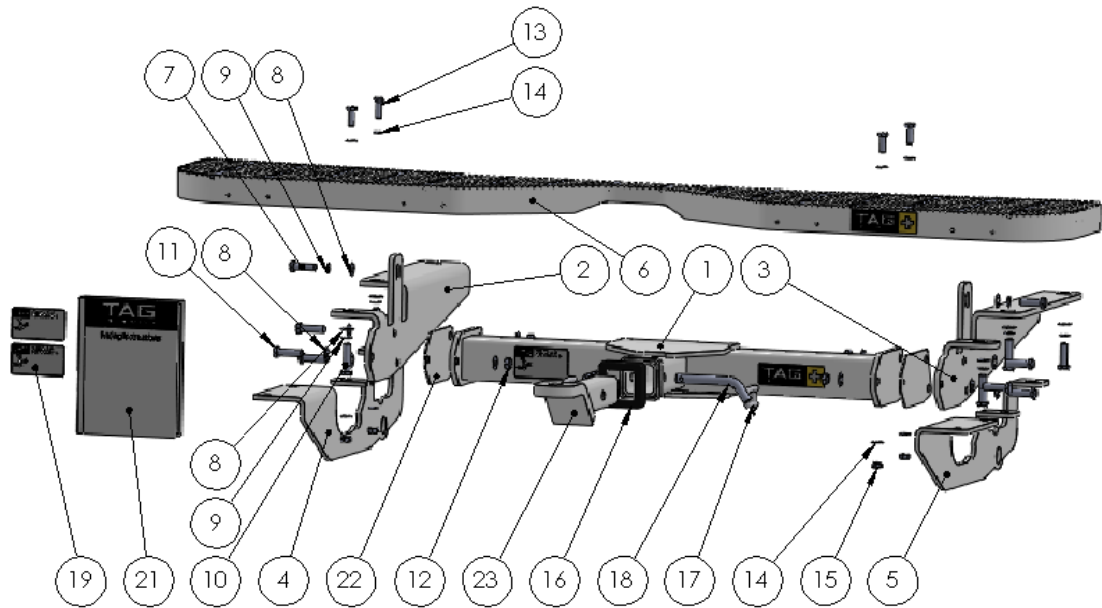
Renault Master 09/11-on – T7P739



Max Towing Capacity: 2500kg	Towbar Weight: kg
Max Ball Load: 200kg	Wiring Harness Part #:



Tools Required: Spanners, Sockets, Trim removal tool



ITEM NO.	DESCRIPTION	QTY.	ITEM NO.	DESCRIPTION	QTY.
1	Welded Assembly for T7P724	1	13	M10x1.25x30 Bolt	4
2	End Plate PS	1	14	M10 FLAT WASHER FLAT ROUND	8
3	End Plate DS	1	15	M10x1.25 Nut	4
4	PS Step Mount Assembly	1	16	Cover Hitch Receiver Collar TAG	1
5	DS Step Bracket Assembly	1	17	TAG D-Shackle - 10mm, 1000kg, Galvanised	2
6	TAG Rear Step (w/ towbar relief)	1	18	Class 4 Pin & Clip	1
7	M12x1.75x40 Bolt	4	19	TAG Compliance plate	3
8	M12 Flat Washer Zinc Clear	20	20	TAG + Foil Sticker 123x38	2
9	M12 Shakeproof Washer	8	21	Fitting Instructions	1
10	M12x1.75x50 Bolt	4	22	Spacer 3mm T7P724	2
11	M12x1.25x45 Bolt	6	23	L4045 Ball Mount - Powder Coated	1
12	M12x1.25 Nut	6			

FITTING INSTRUCTIONS

Renault Master 09/11-on – T7P739



Warning:

- This product is for towing purposes only and must only be loaded as shown in your vehicle Owner's Manual.
- This towbar is NOT to be drilled, cut, welded or modified in any way.
- Check behind chassis rail and body panels before drilling to ensure no hazards are present

General:

- Before fitting this towbar read fitting instructions and check installation hardware is correct.
- Check that the towbar is suitable for the vehicle and be wary of any changes to the vehicle design that may conflict with the fitting of this towbar.
- After drilling, blow any filings clear, remove any swarf and treat exposed metal with a rust inhibitor.
- If this vehicle requires a bumper cut out, please check to make sure that you measure twice and check twice before cutting any panels as some bumper profiles can change. If you are not sure, then please ask your towbar supplier

FITTING INSTRUCTIONS

Renault Master 09/11-on – T7P739



Step 1 Remove Tow Hook & Centre Bumper Cover



FITTING INSTRUCTIONS

Renault Master 09/11-on – T7P739



Instructions	Tools	Torque Spec
<ul style="list-style-type: none"> a. Remove the factory towing/shipping hook from the PS Chassis if fitted via 4 M12 bolts. Discard tow hook & bolts. b. Open rear doors. c. Remove Torx head bolts securing bumper cover to body around rubber seal. d. Remove plastic scrivets from bumper cover near rear wheel arch. e. Gently pull outer cover outwards. f. Unclip the bottom of the centre bumper cover & unplug both (2) reverse sensor harnesses. 		

Step 2 | Cut Bumper Bar



Instructions	Tools	Torque Spec
<ul style="list-style-type: none"> a. Cut the bumper bar using the dimension in the photo. b. Fit pinch-weld to the cut out. 		

FITTING INSTRUCTIONS

Renault Master 09/11-on – T7P739



Step 3 | Fit Towbar



Instructions	Tools	Torque Spec
<p>a. Bolt the towbar end plates up to the chassis using the M12x 1.75x 40 bolts with flat & shake proof washers in forward most holes and side holes. Leave loose.</p> <p>b. Bolt the main bar to the endplates with the M12x 1.25x 45 bolts & flat washers.</p> <ul style="list-style-type: none"> • If there is more than approx. 3mm clearance between the parts on each side, then spacers will be required. • If the clearance is less than this, spacers will not be required between the parts. <p>c. Refit the bumper bar in reverse of step 1(a-f).</p> <p>d. Mount the step bracket assembly to the bottom side of the towbar end plates and insert M12x 50 bolts with flat & shakeproof washers.</p> <p>e. Mount the step to the step bracket assemblies and insert M10x 30 bolts with washers & nuts.</p> <p>f. Tighten all M12 chassis bolts.</p> <p>g. Tighten all M12 main bar bolts.</p> <p>h. Tighten all M10 step bolts.</p> <p>i. Fit ball mount, pin & clip & D-shackles.</p>		

FITTING INSTRUCTIONS

Renault Master 09/11-on – T7P739



Step 3 | Apply door sticker



Instructions	Tools	Torque Spec
a. Apply extra load rating label to inner DS door pillar & one other to the vehicle owner's handbook. •		

FITTING INSTRUCTIONS

Renault Master 09/11-on – T7P739



WARRANTY STATEMENT

The manufacturer of TAG branded products, warrants your TAG Towbar for its full product life under the following conditions:

- You can show proof of purchase.
- The towbar has been correctly installed by a suitably qualified installer.
- The towbar has not been modified or abused in any way and has only been used for the purpose intended.
- The towbar was not fitted second hand to your vehicle.

The extent of this warranty includes materials and workmanship used in the manufacture of the towbar and is to the equivalent value of current, full replacement cost.

Nothing stated or implied in this warranty limits in any way, the statutory rights that you may have.

To make a claim visit the original installer in the first instance or, if you are unable to or are not satisfied with their help, then contact us directly by email at warranty@tagtowing.com