

# Fitting Instructions



SKU

PRODUCT

**T2M643**

**TAG Standard Duty Towbar  
to suit Mazda CX-3  
(03/2015 - on)**



Scan for latest  
version of these  
instructions

## SPECIFICATIONS

- Towbar Class: Standard Duty
- Towing Capacity: 1200kg

## IN THIS GUIDE

- Fitment Instructions
- Torque Settings
- Warranty Info

# Towbar Fitting Instructions



## Step-By-Step Instructions

### Warning:

Safety First: Always use correct safety equipment.

This towbar is NOT to be drilled, cut, welded or modified in any way.

Check the surrounding area before drilling into chassis or body panels for fuel lines, wiring harnesses and other components that may be a hazard.

### General:

Before fitting this towbar read fitting instructions and check installation hardware is correct.

Check that the towbar is suitable for the vehicle and be wary of any changes to the vehicle design that may conflict with the fitting of this towbar.

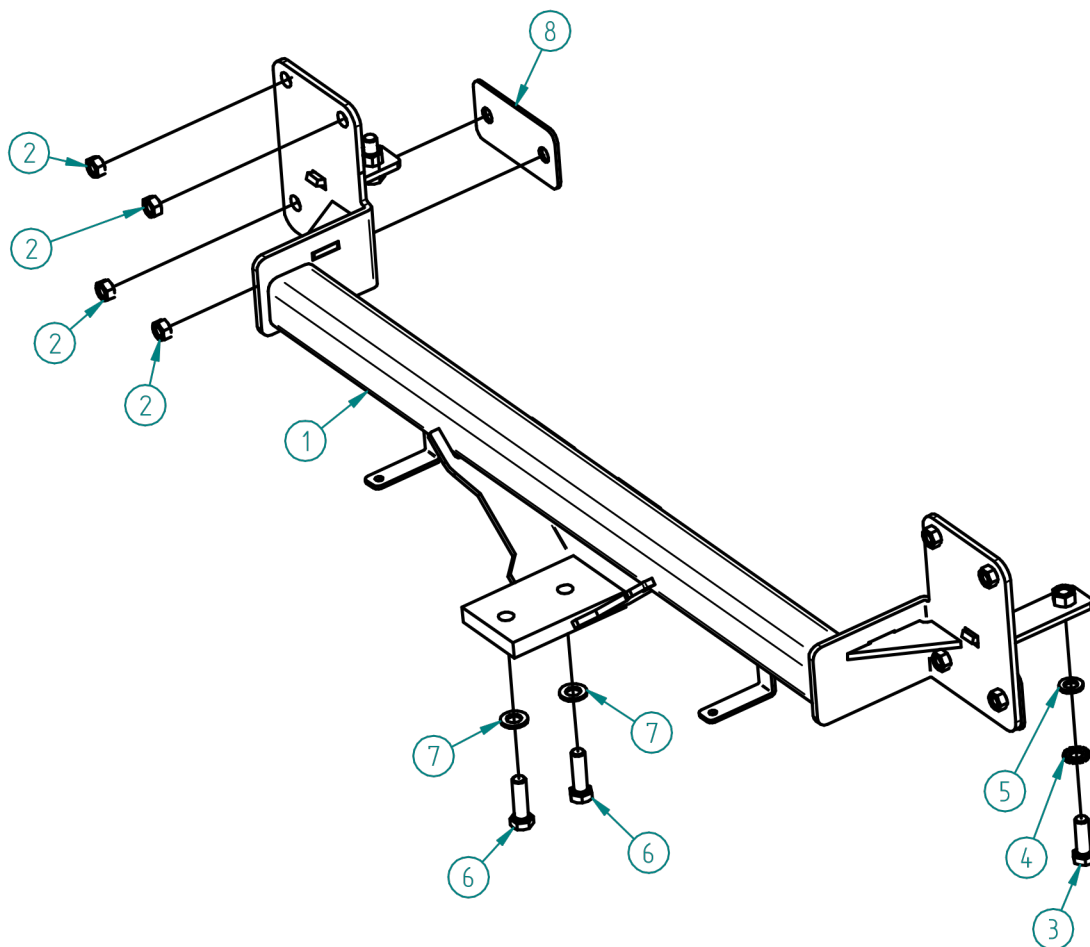
After drilling, blow any filings clear, remove any swarf and treat exposed metal with a rust inhibitor.

If this vehicle requires a bumper cut out, please check to make sure that you measure twice and check twice before cutting any panels as some bumper profiles can change.

If you are not sure then ask your towbar supplier.

Tighten all bolts as specified on the last page.

# Towbar Fitting Instructions



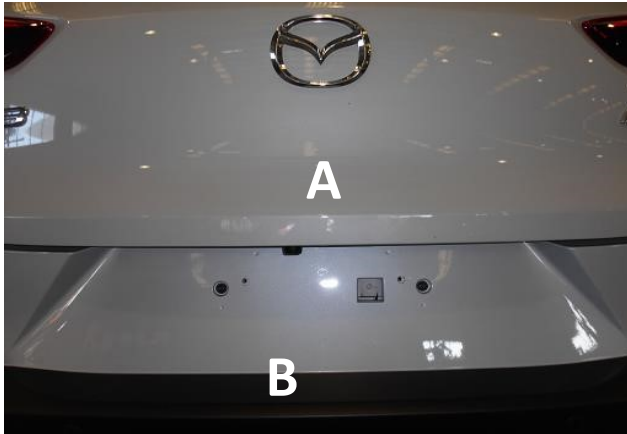
Scheme1

T2M643 Hardware KIT	
Item	Quantity
1. Towbar	1
2. M10 x 1.25 pitch lock nut	8
3. M12 x 35 x 1.25 pitch bolt	2
4. M12 shakeproof washer	2
5. M12 flat washer	2
6. M16 x 40 x 2 pitch bolt	2
7. M16 spring washer	2
8. Spacer plate	2
9. L233C ball mount	1
10. Compliance plate	1
11. Door sticker	1

# Towbar Fitting Instructions



1.



Pic.1

1.1 Remove number plates by undoing 2 screws

1.2 Remove 2 torx screws ( A ) as shown on Pic.1

2.



Pic.2

2.1 Remove tail lights by undoing two screws as shown on Pic.2 and pull them straight out

2.2 Remove tail light plugs

3.



Pic.3

3.1 Remove screws as shown on Pic.3

# Towbar Fitting Instructions



4.



Pic.4

4.1 Remove 3 plastic scrivenets as shown on Pic.4

5.



Pic.5

5.1 Pull away the wheel arch trim and remove a plastic scrivet and a screw as shown on Pic.5

# Towbar Fitting Instructions



6.



Pic.6

6.1 Remove screws underneath the bumper bar as shown on Pic.6

7.



Pic.7

7.1 Before removing the bumper bar undo plastic scrivetts from the bumper bracket as shown on Pic.7

7.2 Remove reversing sensor plug (if reversing sensor fitted)

7.3 Remove the bumper bar by unclipping it from the plastic clips, lift it up to undo the centre clip (A) as shown on Pic.1 and pull it straight out

7.4 Remove and discard the bumper bracket as shown on Pic.7

8.



Pic.8

8.1 Remove and discard impact beam as shown on Pic.8

# Towbar Fitting Instructions



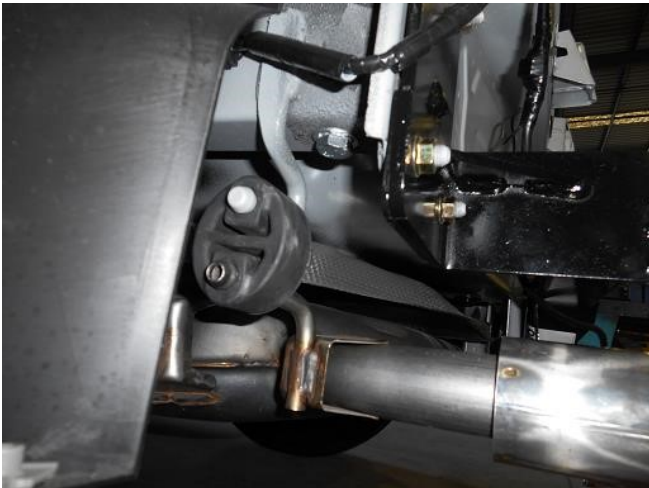
9.



Pic.9

9.1 Fit spacer plates (Item No. 8 in the Hardware KIT list) as shown on Pic.9

10.



Pic.10

- 10.1 Replace the impact beam with the towbar
- 10.2 Fit supplied stud nuts finger tight as shown on Pic.10 and Scheme1
- 10.3 Fit supplied fastener to the chassis rail as shown on Pic.10 and Scheme1
- 10.4 Tighten all bolts as specified on the last page

11.

- 11.1 Fit supplied compliance plate to the towbar and door sticker inside of the driver's door pillar
- 11.2 Refit bumper bar, reversing sensor, wheel arch trim, tail lights and number plate in reverse order
- 11.3 Use bumper brackets on the towbar to secure the bumper bar from centre
- 11.4 Mount L233C ball mount to the towbar

## Torque table for bolt tightening

<b>Metric GRADE 8.8</b>	<b>UNC GRADE 8</b>
M6 – 12.5 Nm	3/8 – 50 Nm
M8 – 30 Nm	1/2 – 125 Nm
M10 – 60 Nm	5/8 – 245 Nm
M12 – 103 Nm	
M14 – 167 Nm	
M16 – 270 Nm	

## TAG Warranty Statement

SWD warrants your TAG Towbar for its full product life under the following conditions:

- You can show proof of purchase.
- The towbar has been correctly installed by a suitably qualified installer.
- The towbar has not been modified or abused in any way and has only been used for the purpose intended.
- The towbar was not fitted second hand to your vehicle.

The extent of this warranty includes materials and workmanship used in the manufacture of the towbar and is to the equivalent value of current, full replacement cost.

Nothing stated or implied in this warranty limits in any way, the statutory rights that you may have.

To make a claim visit the original installer in the first instance or, if you are unable to or are not satisfied with their help, then contact us direct by phone on 1300 669122 or visit [www.swd.com.au](http://www.swd.com.au)