

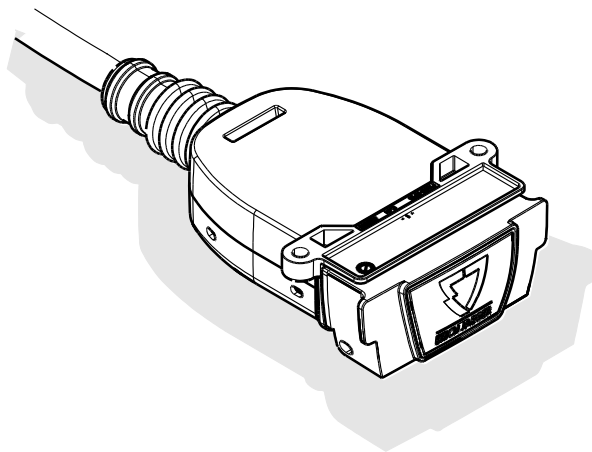
MERCEDES BENZ V-CLASS W447

06/14 >>

MERCEDES BENZ VITO W447

11/14 >>

750091



Installation instructions

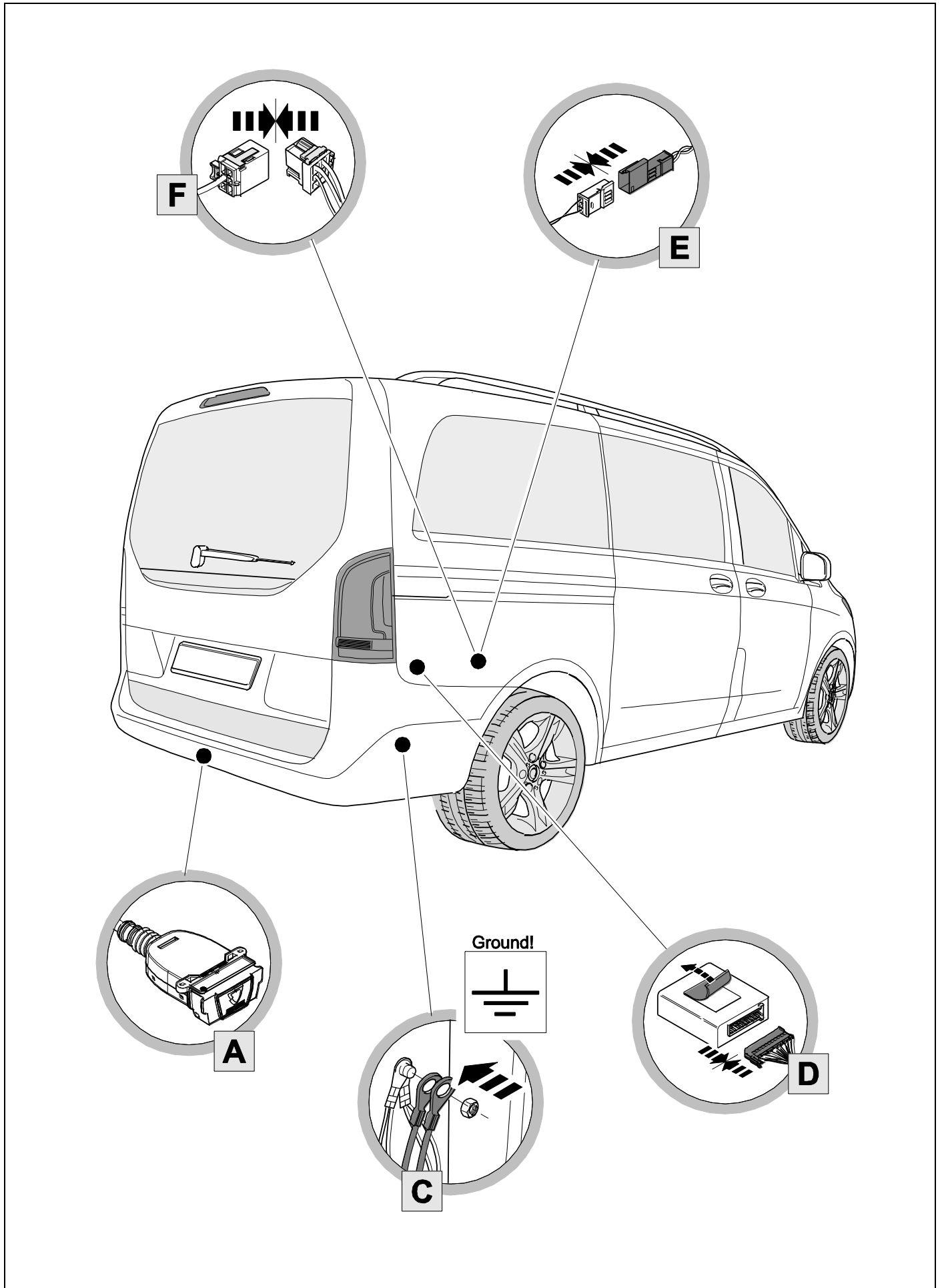
Reference:

The following information must be reviewed before beginning the assembly:

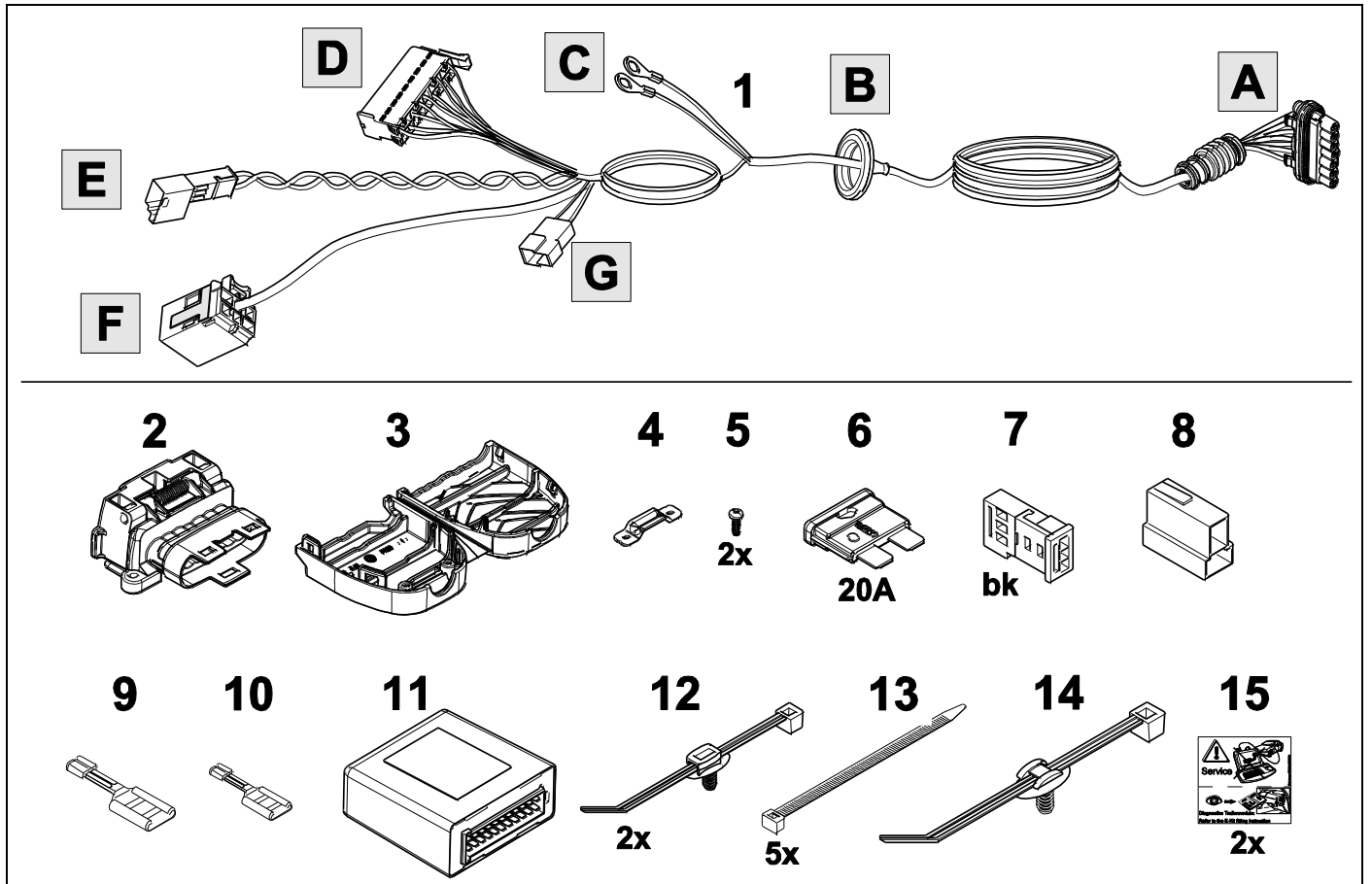
The installation instructions are to be thoroughly read.

The installation should be carried out by qualified personnel with the relevant technical knowledge. The vehicle manufacturers' current technical notices and information on retrofitting must be followed. The removal and replacement instructions found in the current repair manuals must be followed.

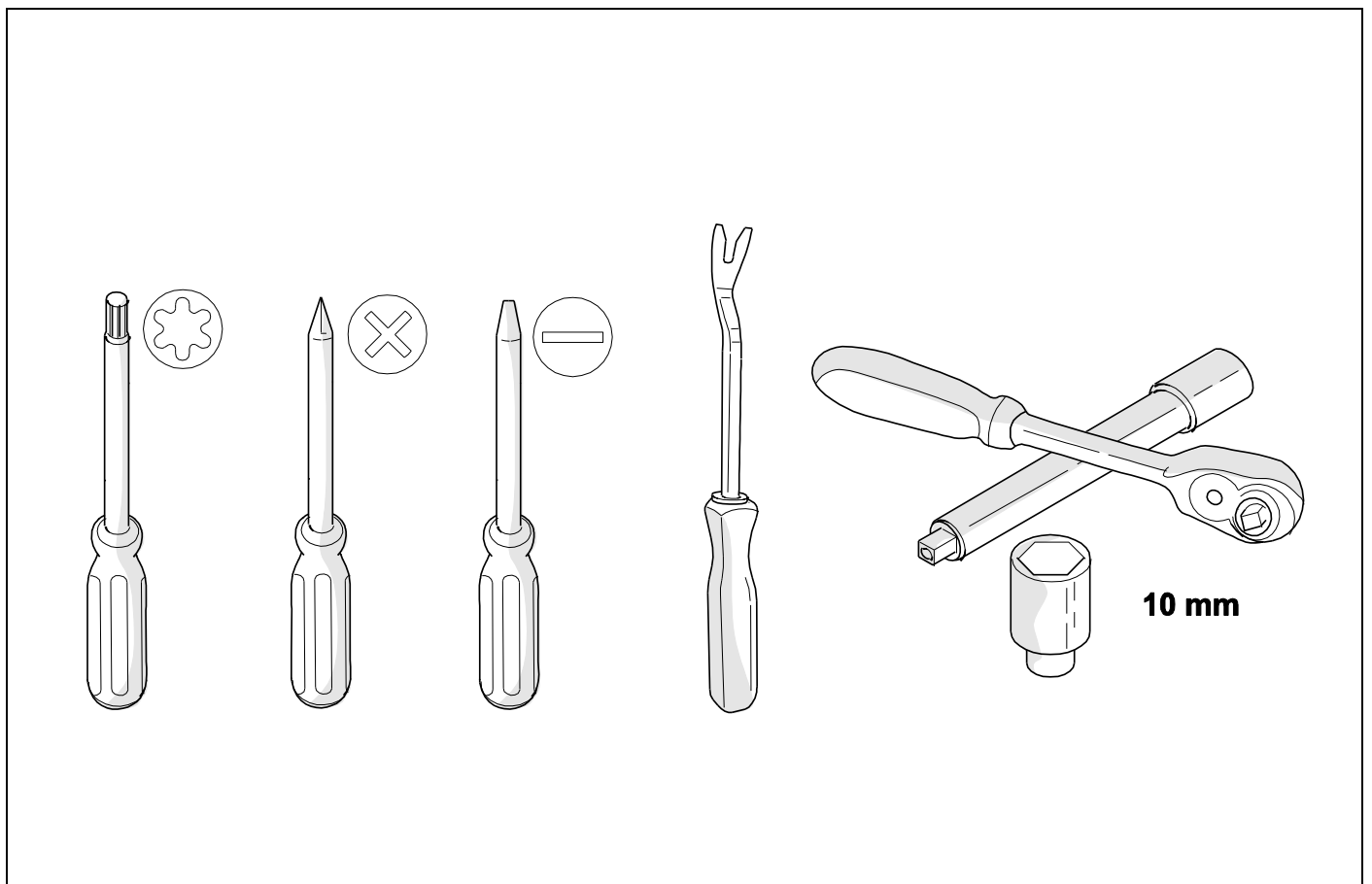
It must be ensured that the vehicle is technically suitable for the installation of a trailer hitch.

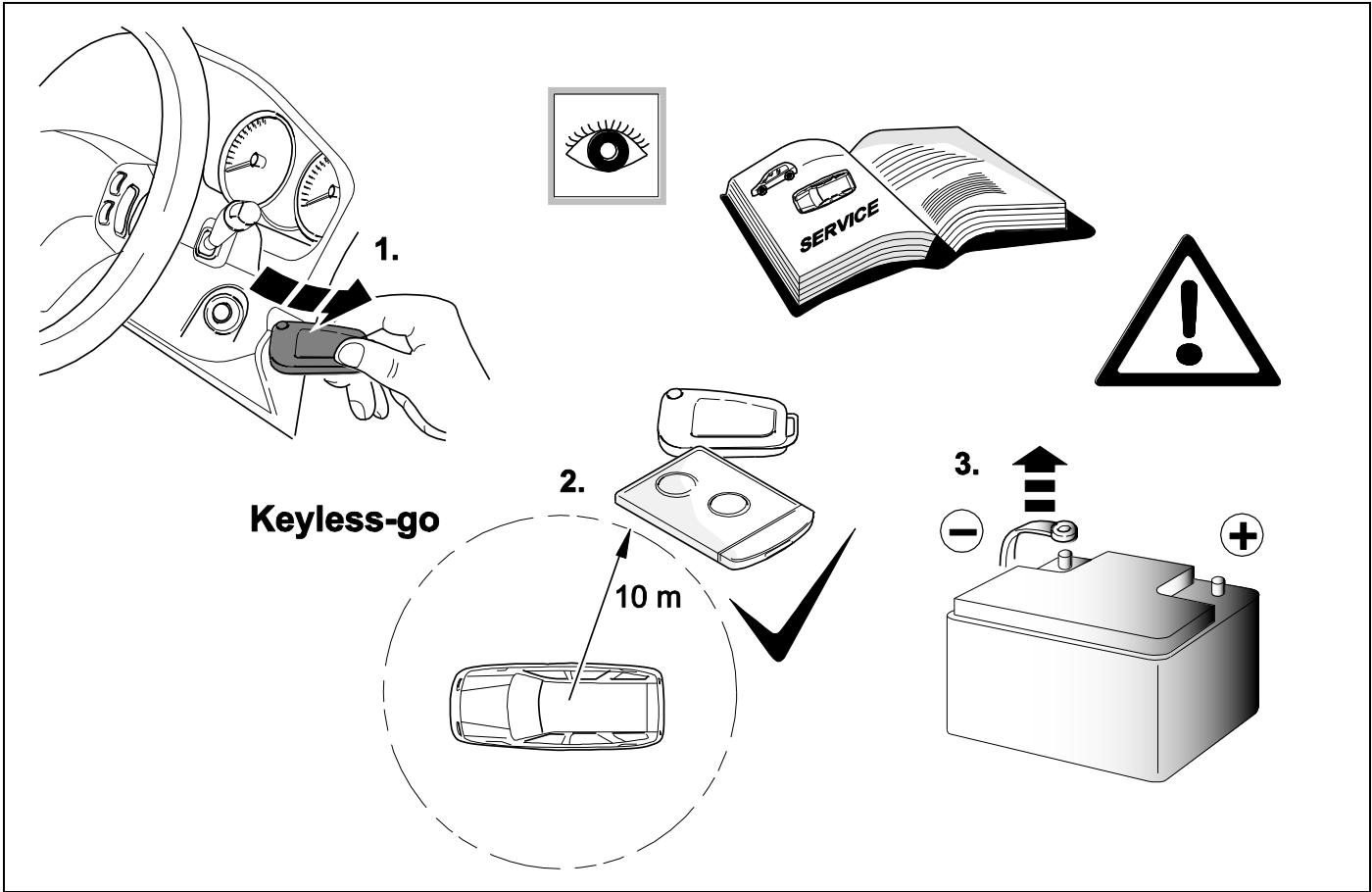


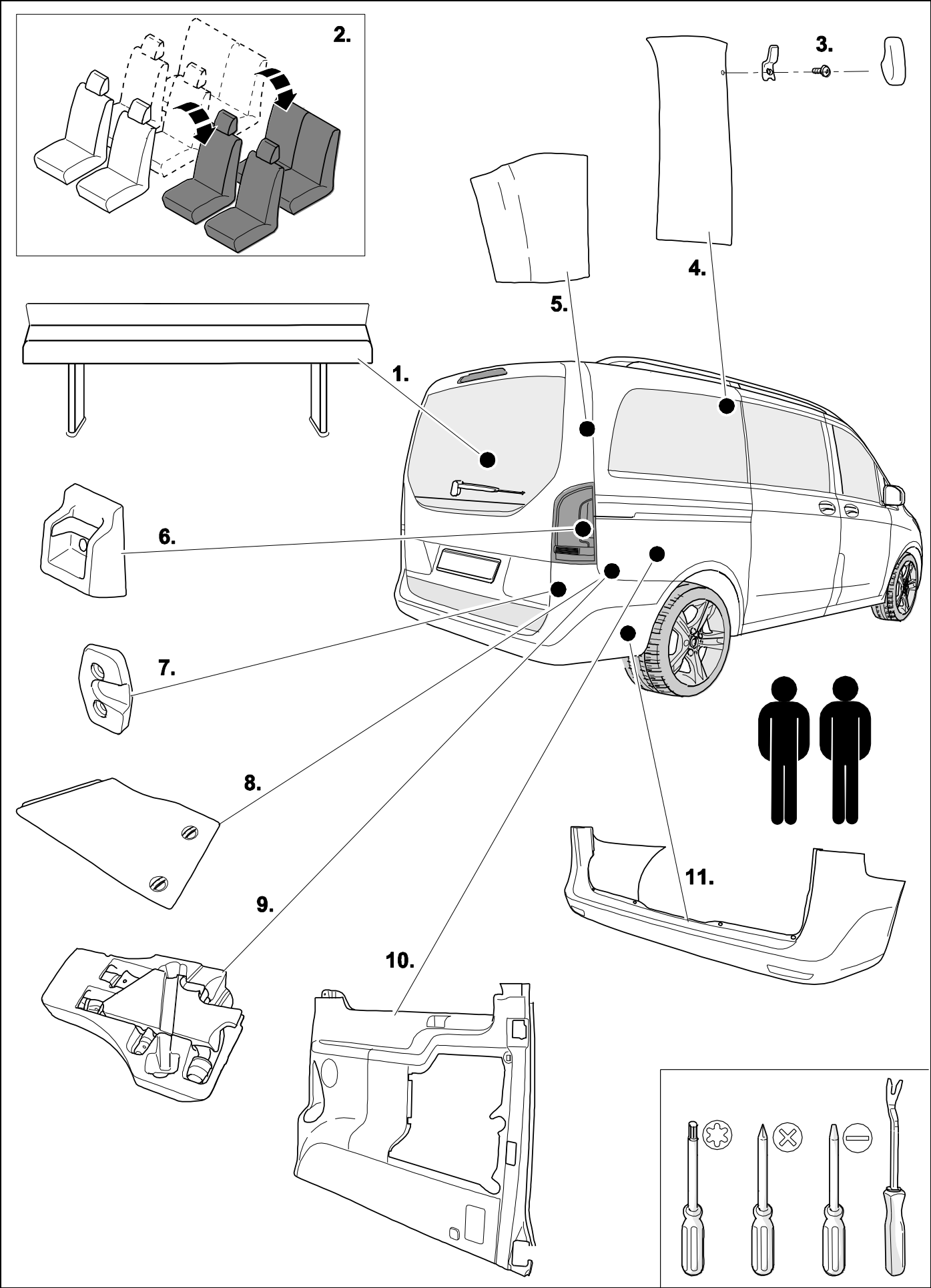
KIT



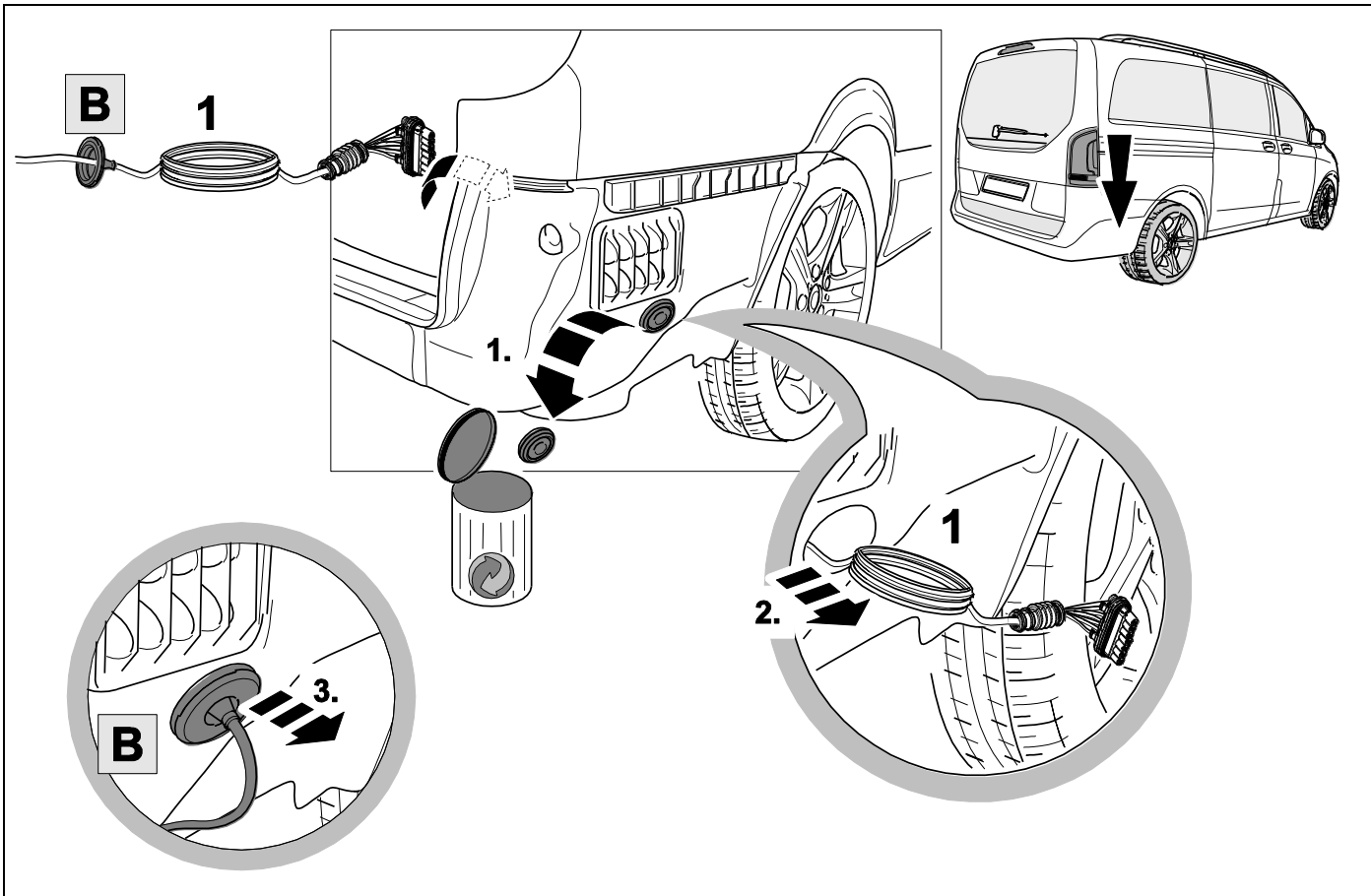
TOOLS



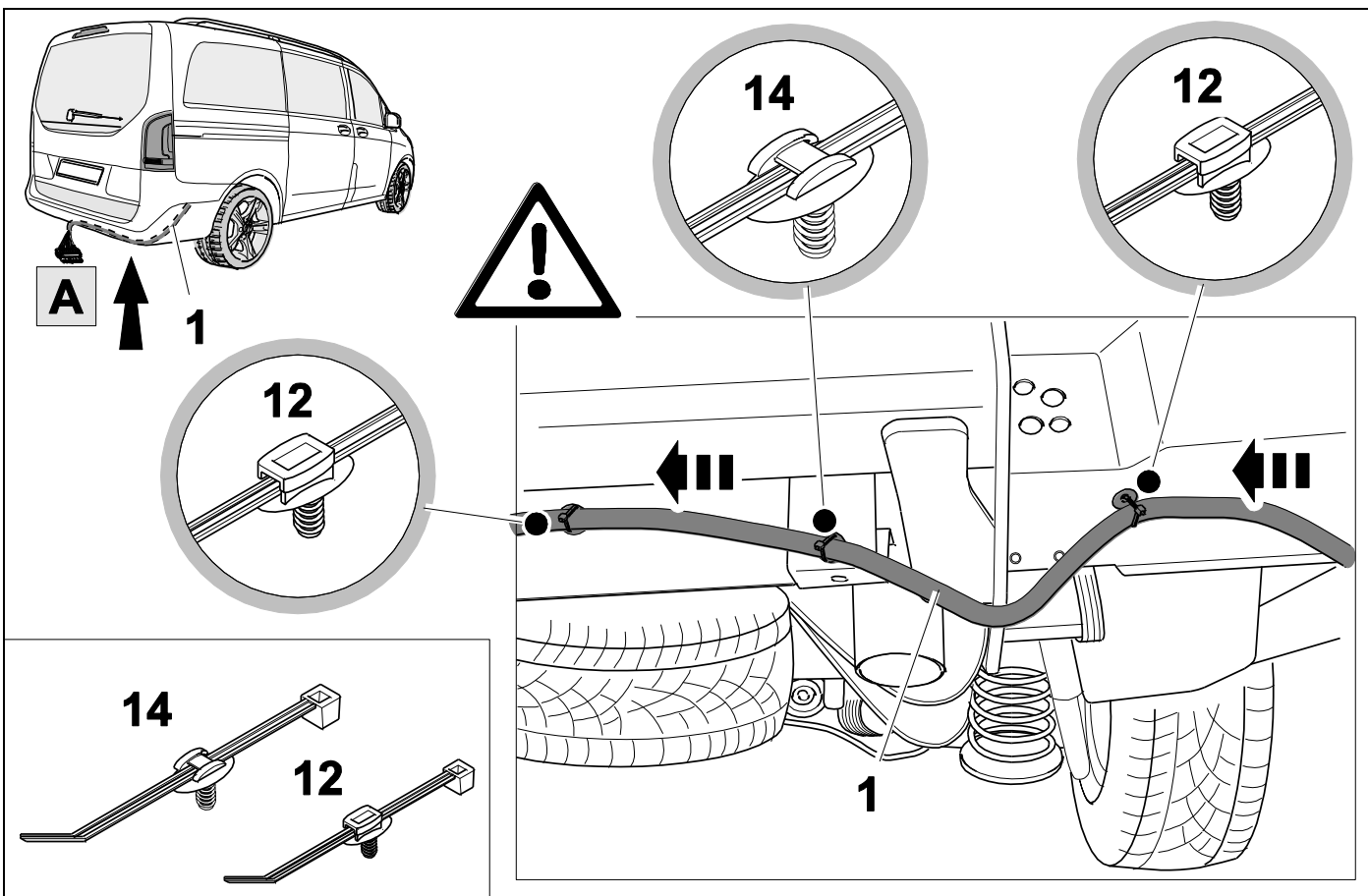




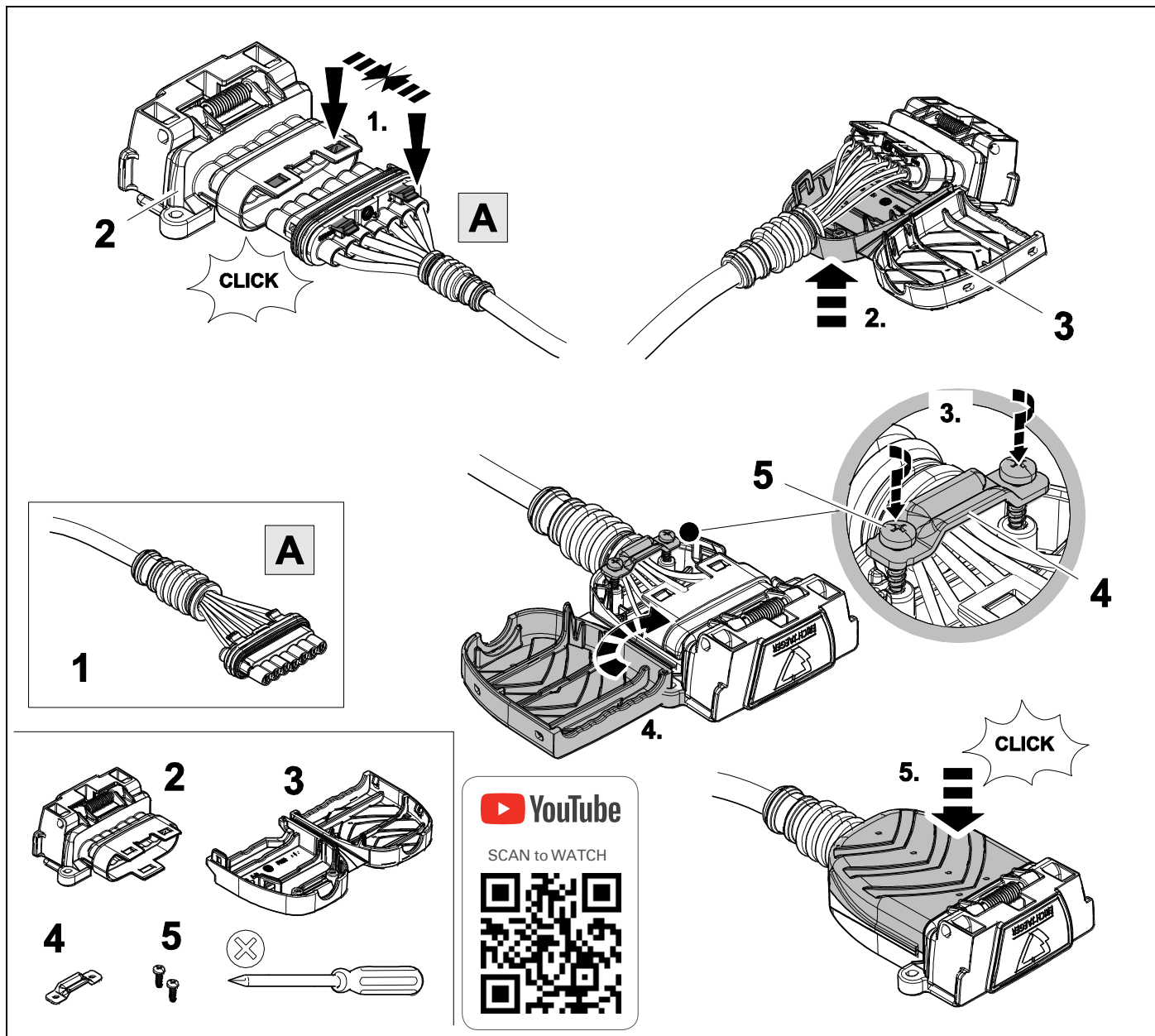
3



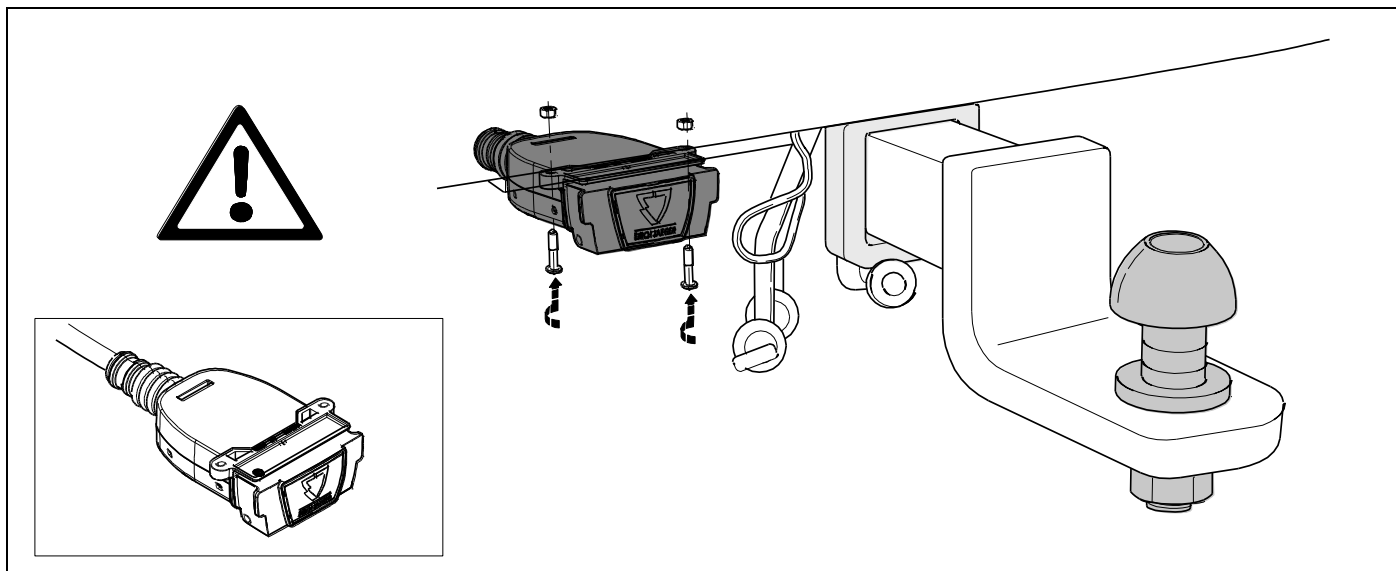
4



5



6



7

👁️ ⇒ 8

1	ye	←
2	bk	1 3 2 4 (R)
3	wh	⏏
4	gn	→
5	bu	🔑
6	rd	Stop ⊙
7	bn	💡

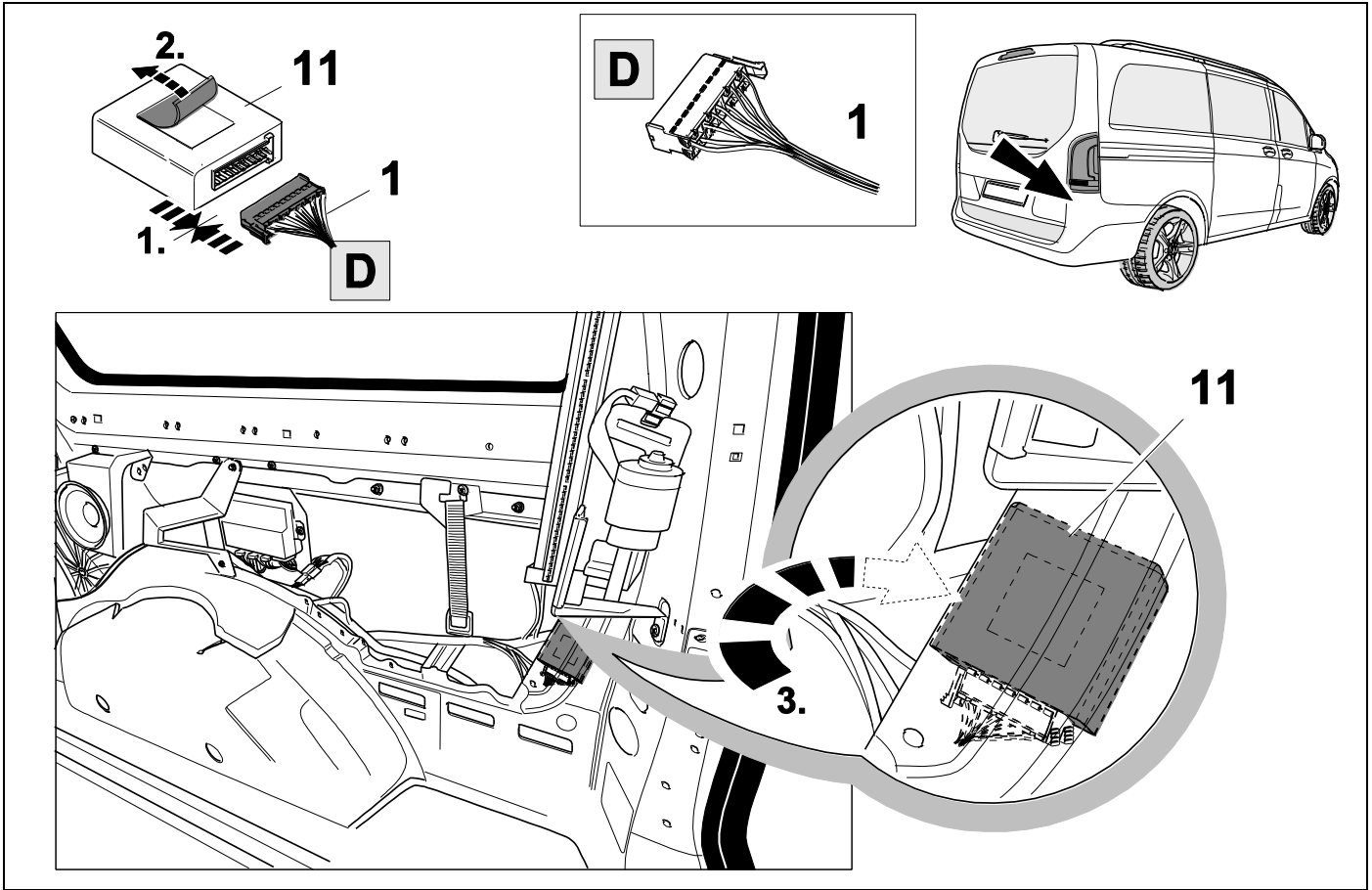
8	bk	wh	gy	gn	rd	bu	ye	bn	pu	or	no
---	----	----	----	----	----	----	----	----	----	----	----

GB	black	white	grey	green	red	blue	yellow	brown	purple	orange	not occupied
----	-------	-------	------	-------	-----	------	--------	-------	--------	--------	--------------

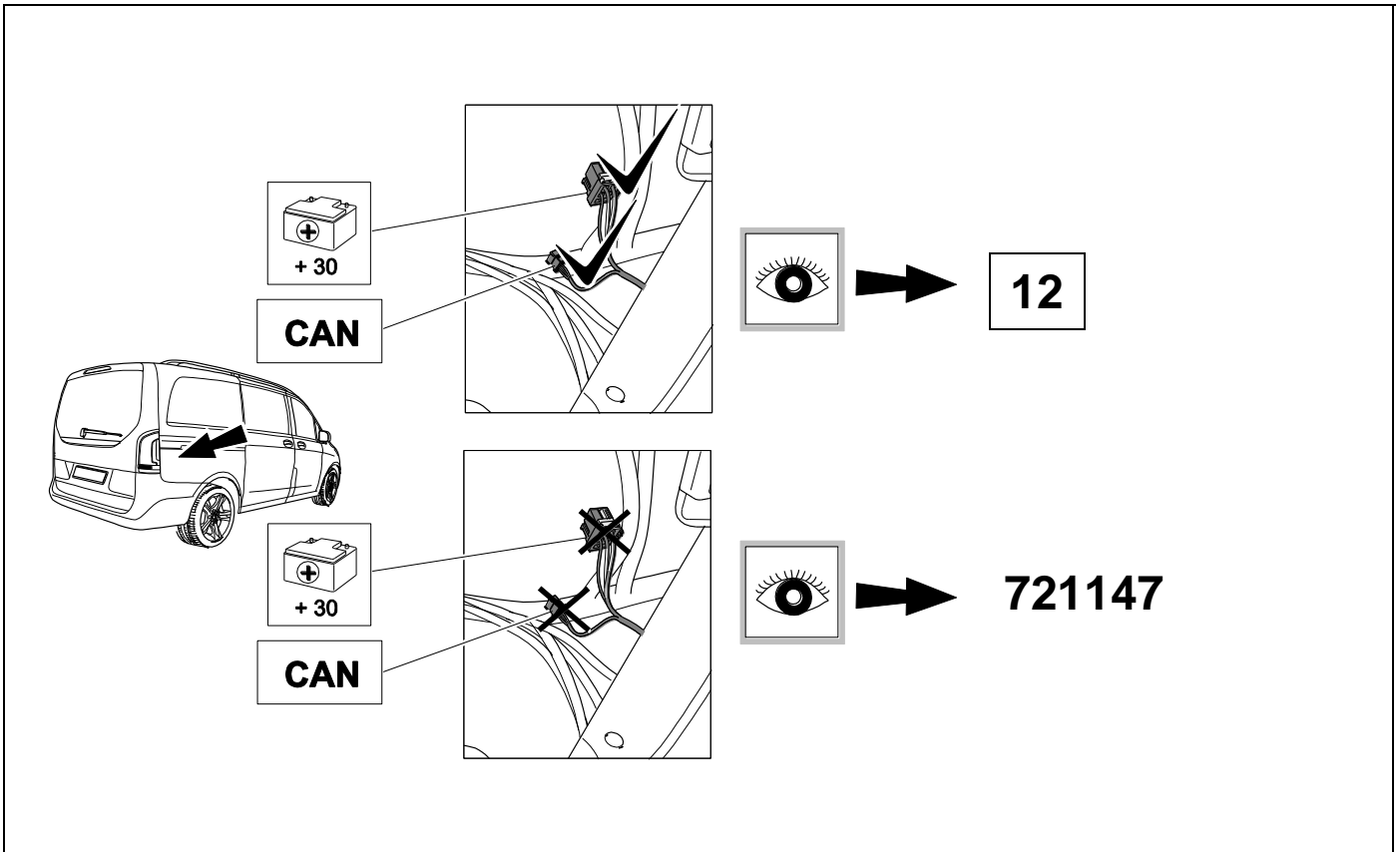
9

The diagram illustrates the location of the fuse box in a vehicle, showing a close-up of the fuse box cover being removed. A warning symbol (exclamation mark in a triangle) is present. A ground connection symbol (three horizontal lines of decreasing length) is shown with the text "Ground!". The internal wiring of the fuse box is shown with a label 'C' and an arrow pointing to the ground connection point. A screwdriver and a 10 mm nut are shown as tools. A label 'C' and the number '1' are shown next to a pair of wire cutters.

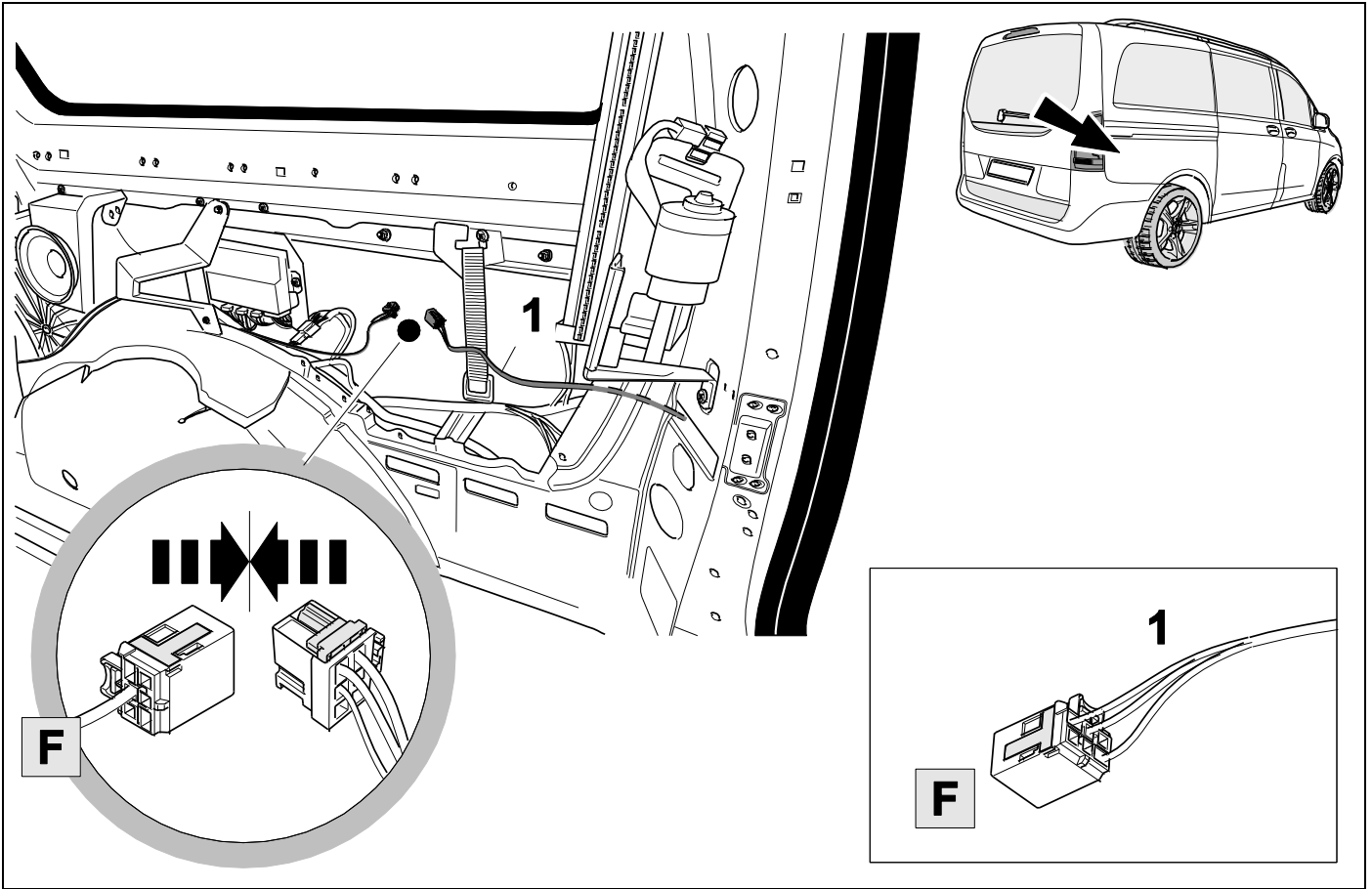
10



11

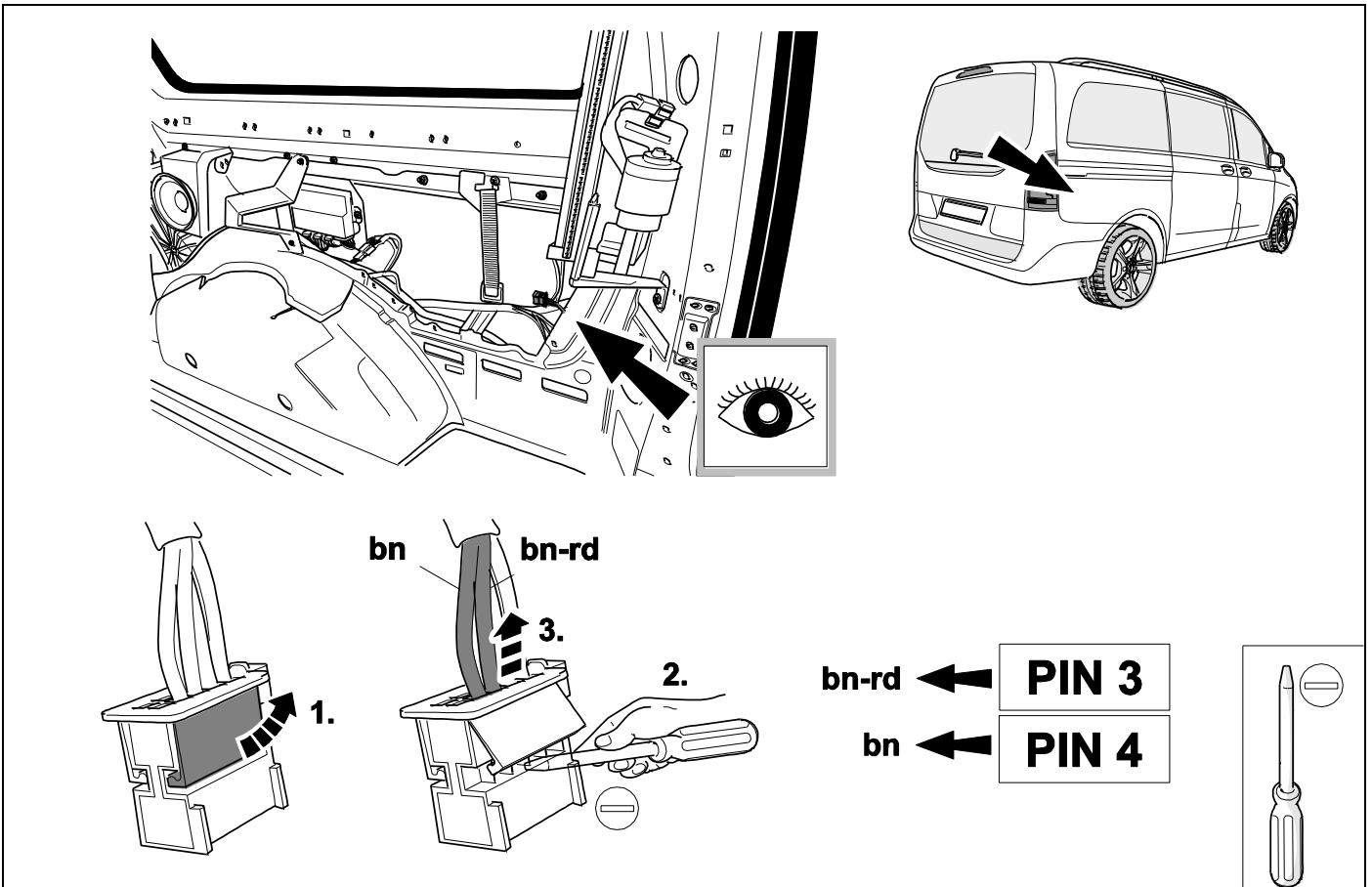


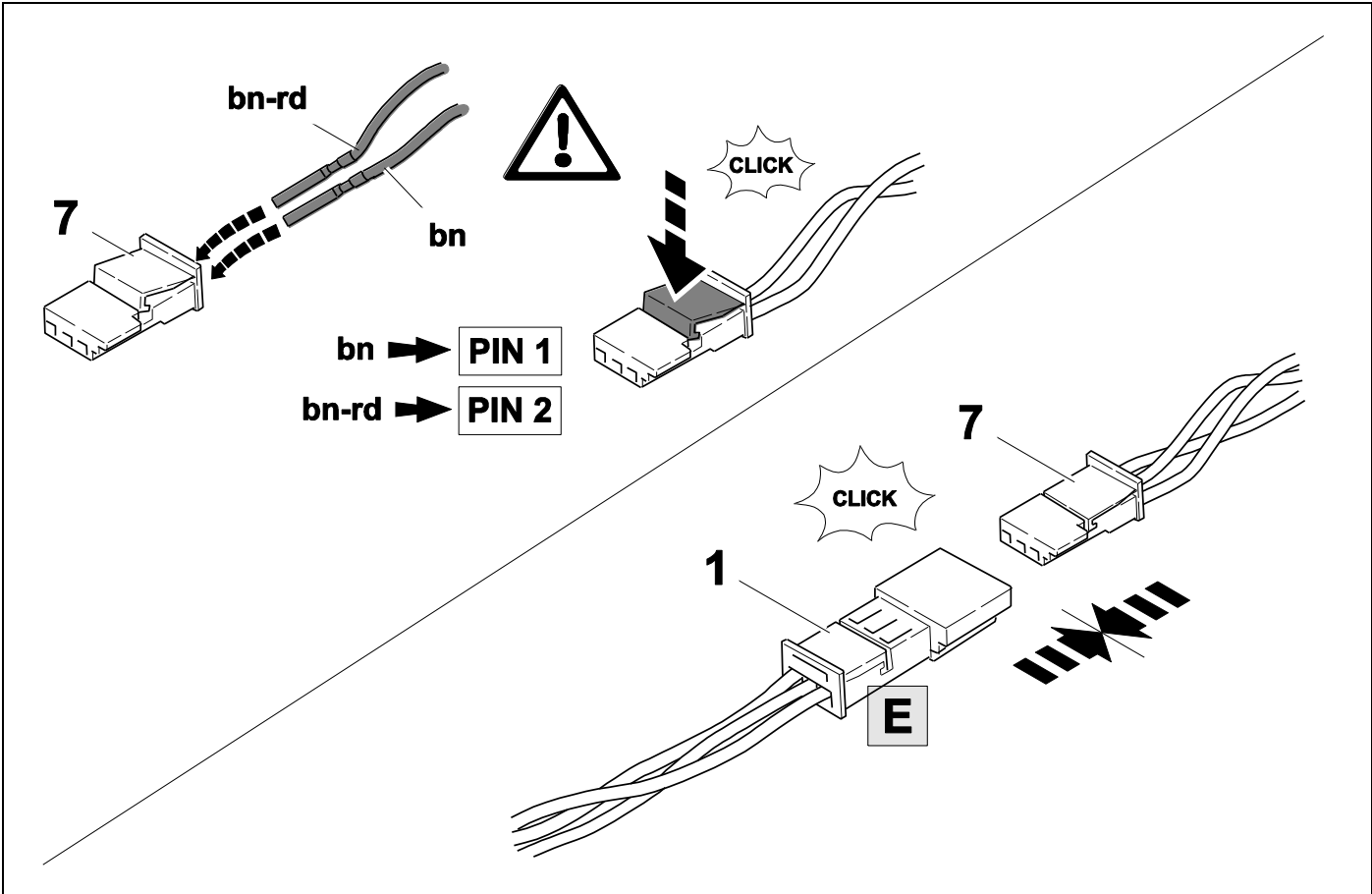
12

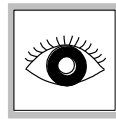
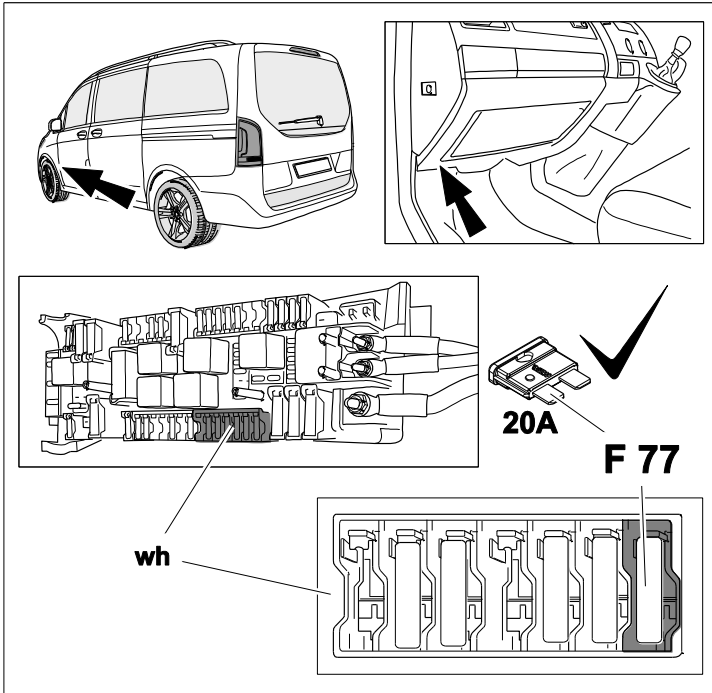


13

👁️ → 8



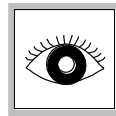
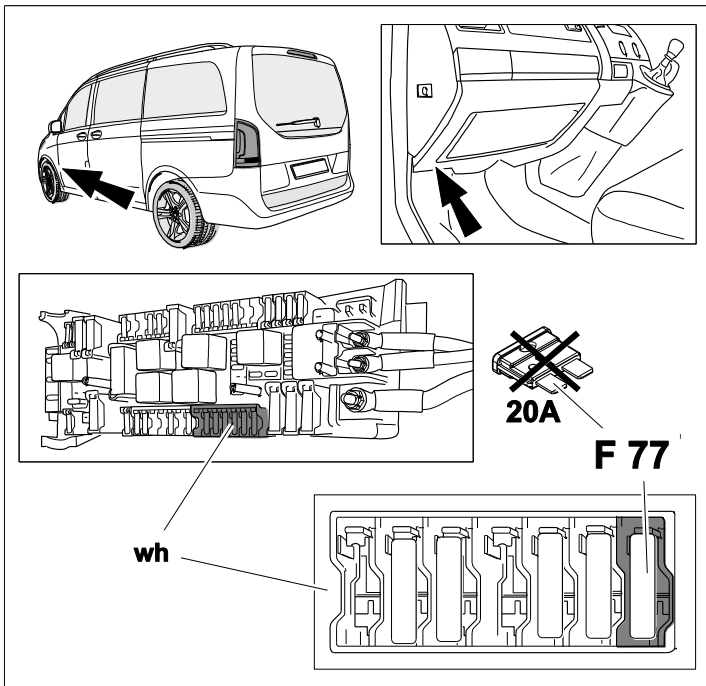




17



24



16



24

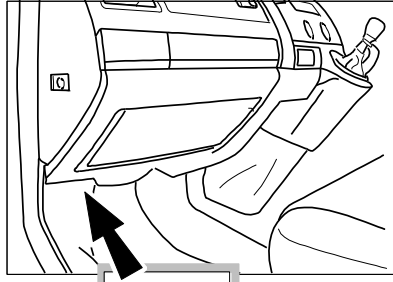
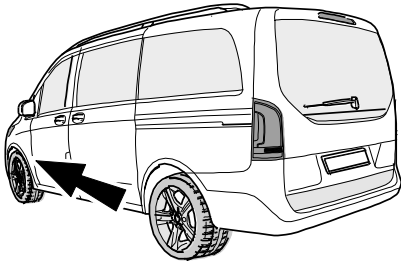
16



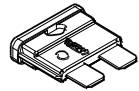
8

+

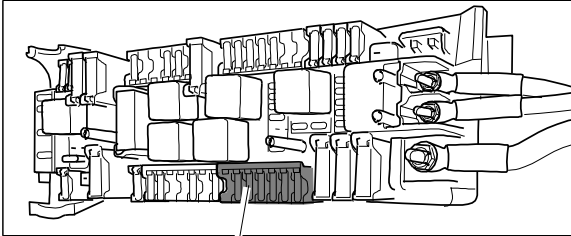
22



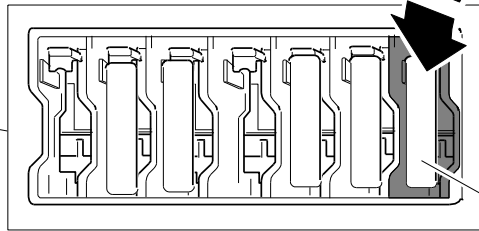
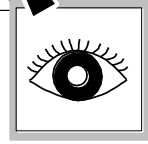
6



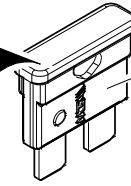
20A



wh

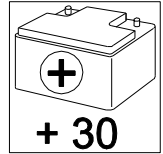


F 77



6

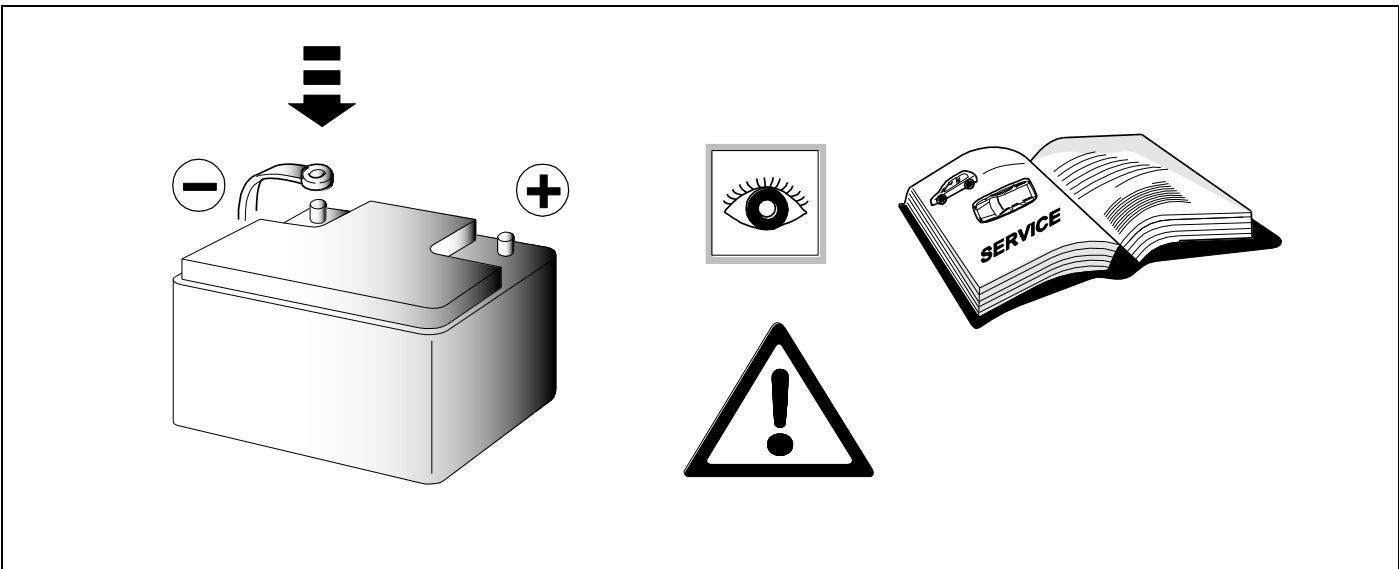
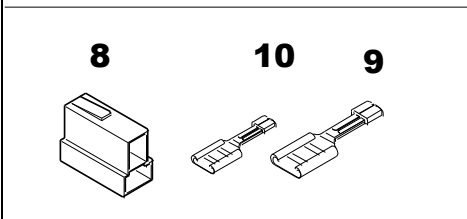
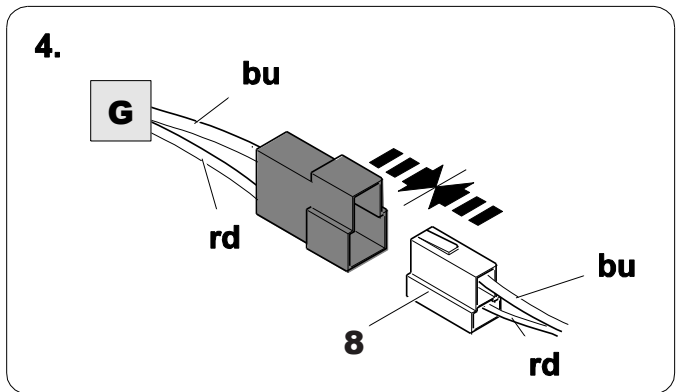
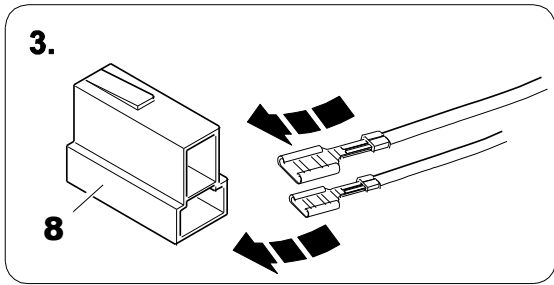
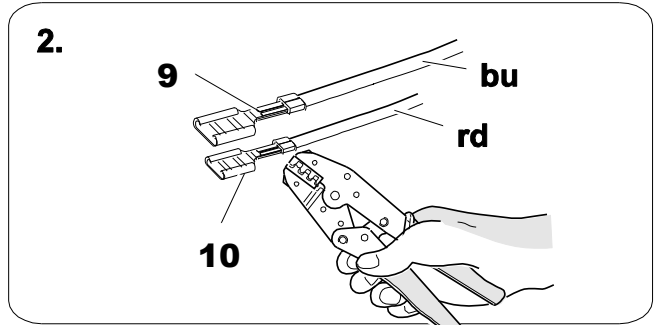
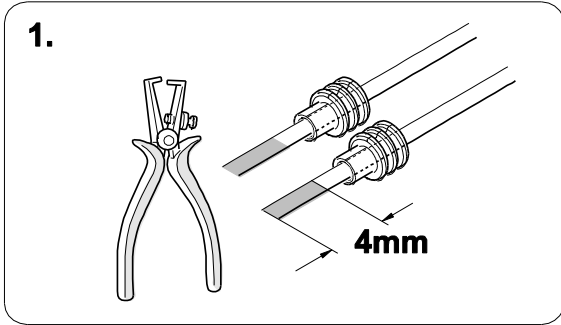
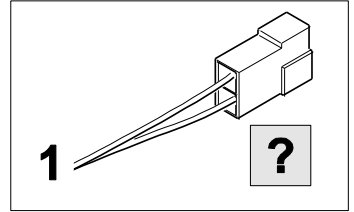
Hot all times!



+ 30

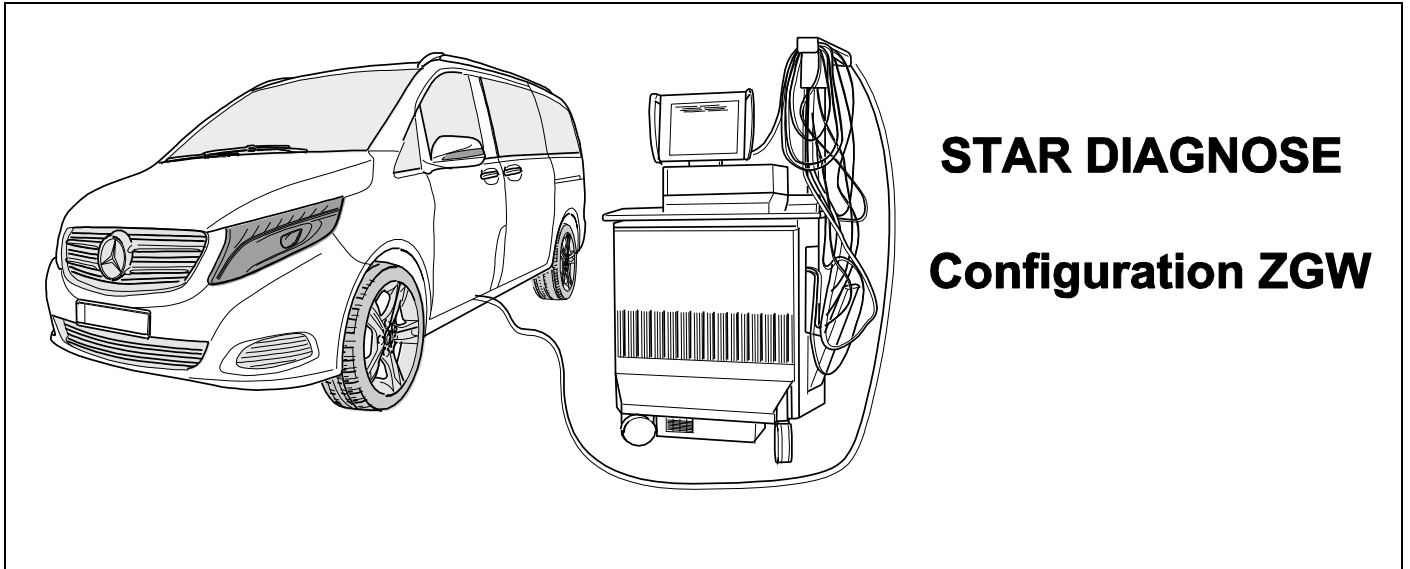


Trailer Brake Preparation



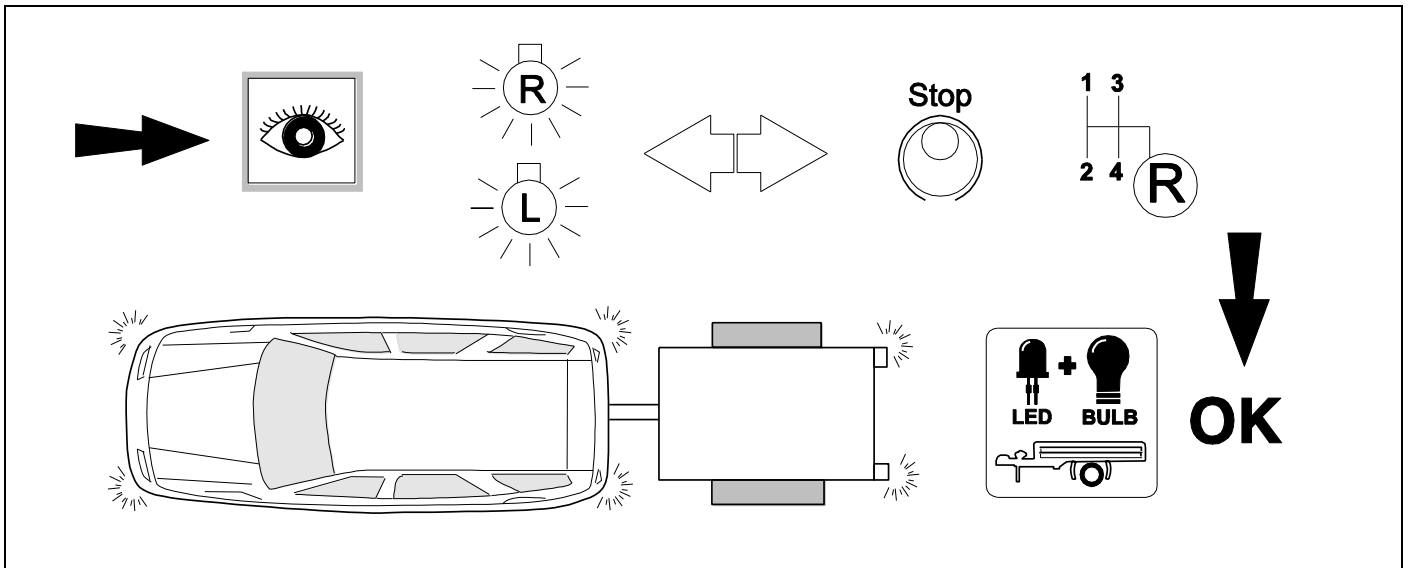
19

Coding Optional



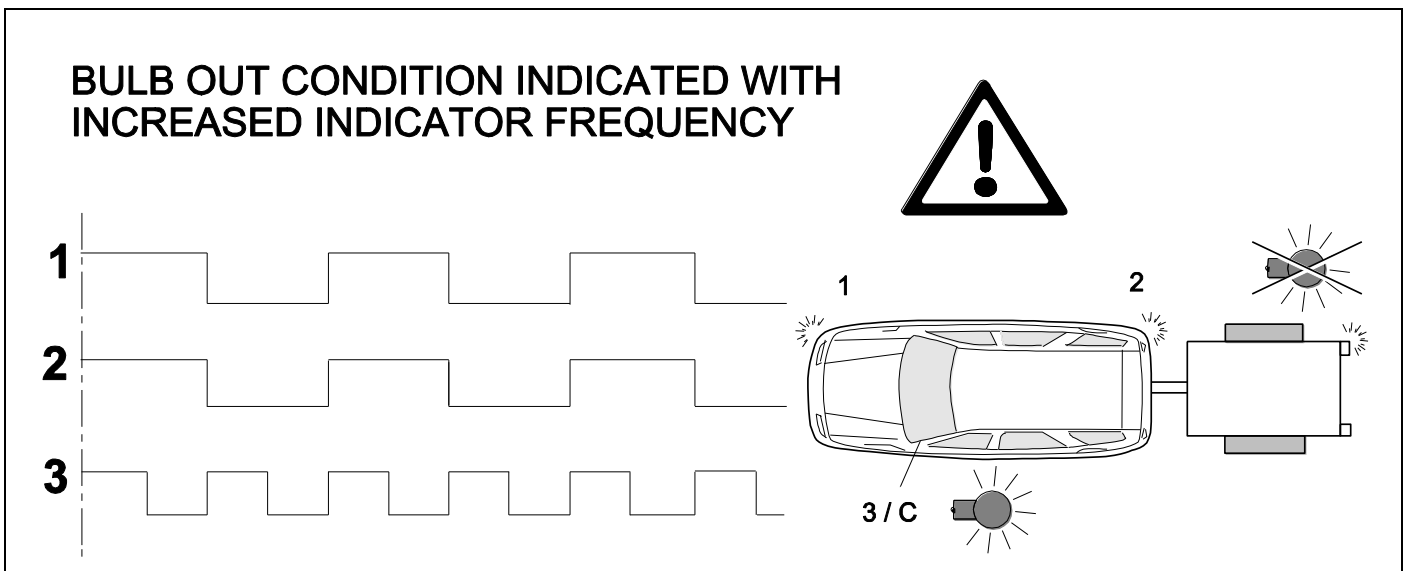
20

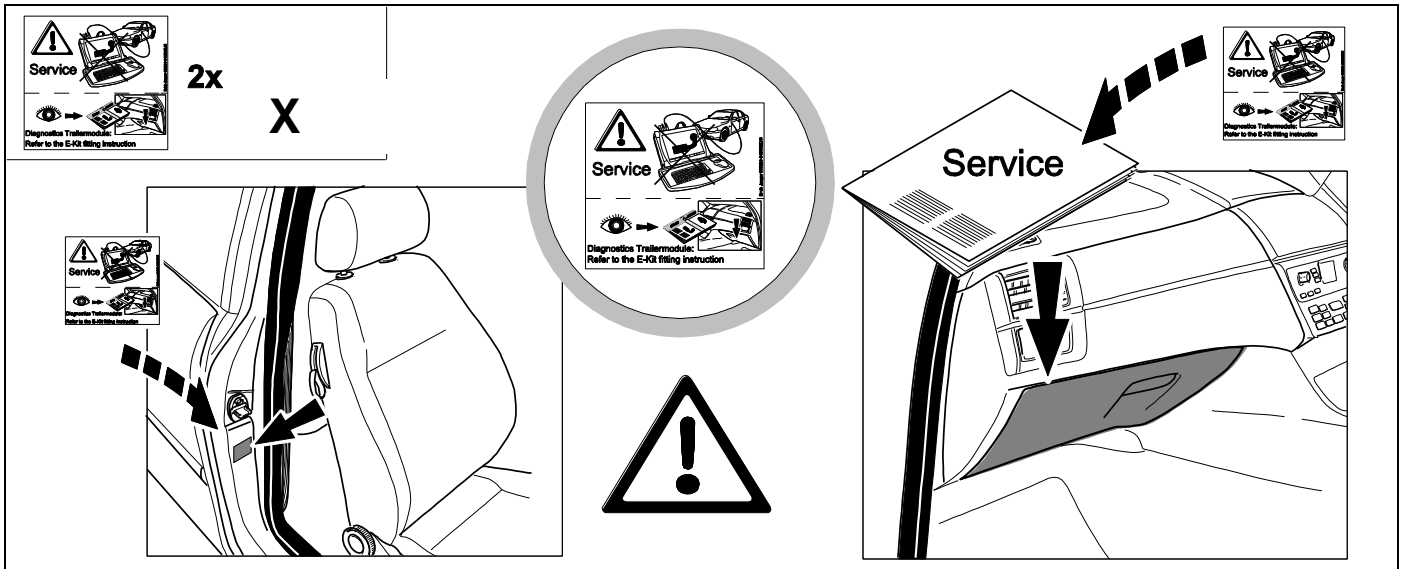
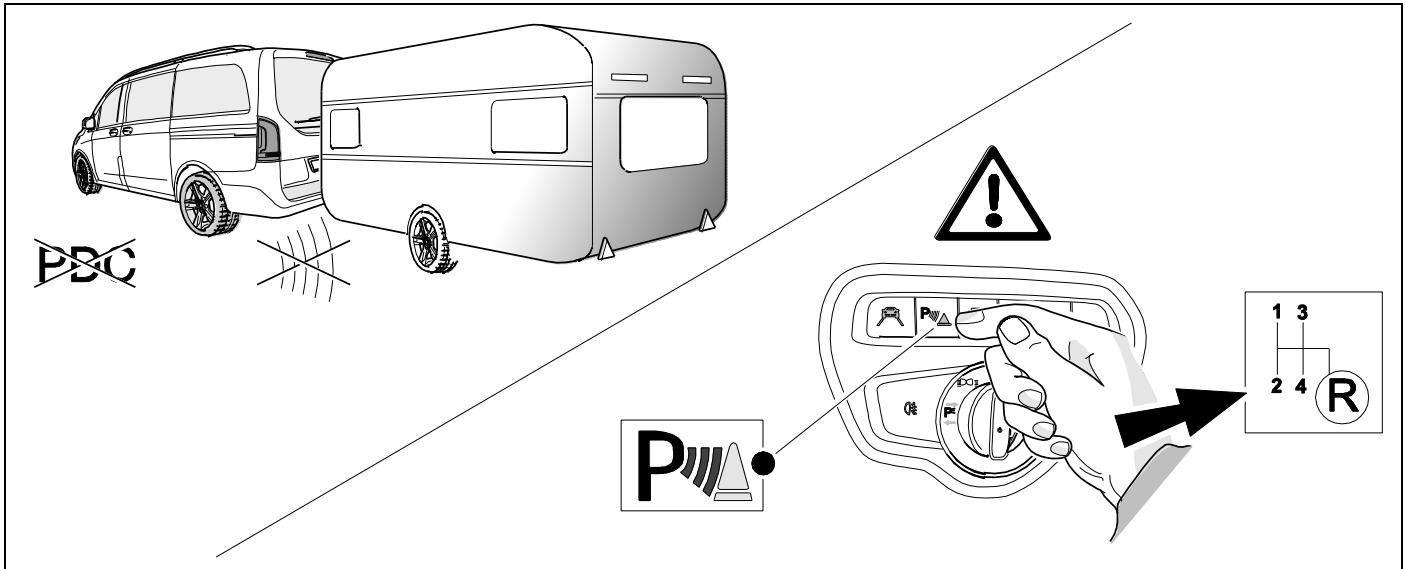
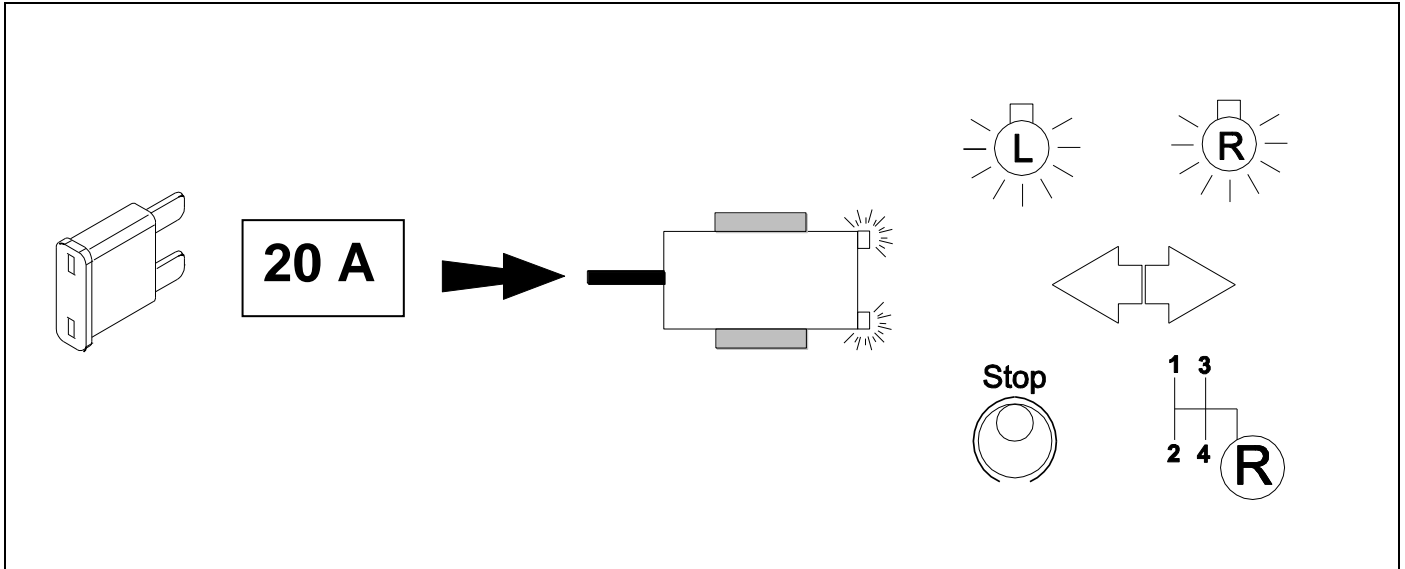
CHECK ALL LIGHTING FUNCTIONS

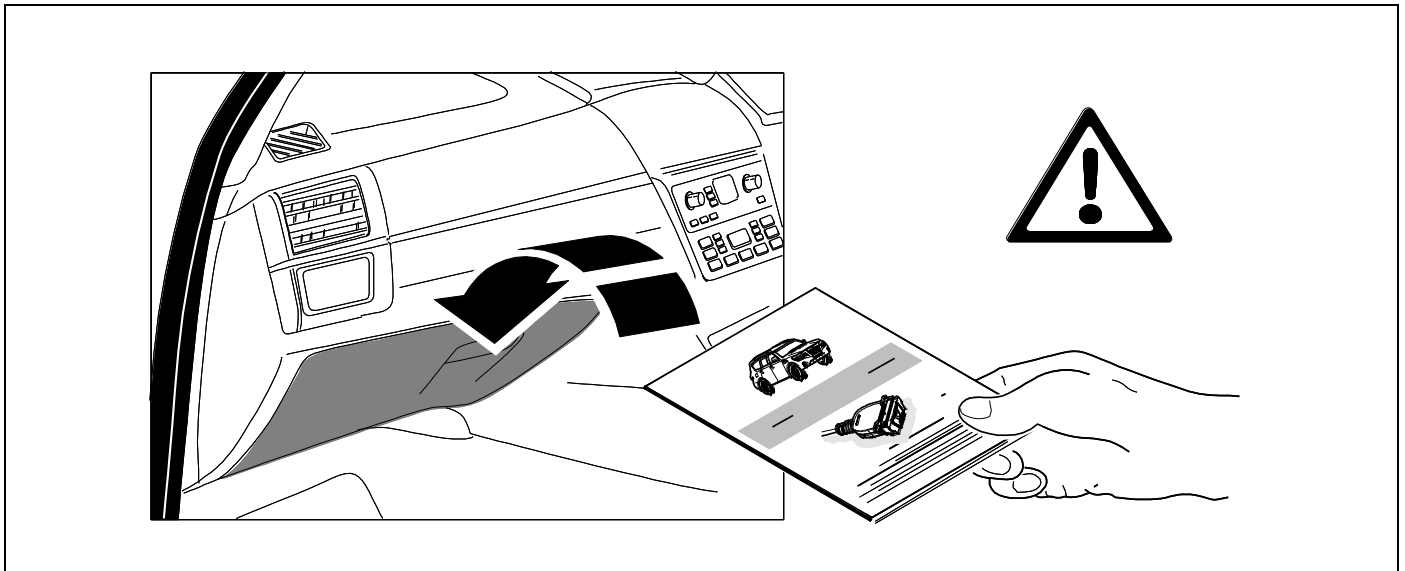


21

CHECK BULB OUT DETECTION







Subject to change in terms of construction, equipment and colour, and may contain errors.
The information and illustrations are non-binding.

Scan this for our full E-Kit catalogue

