

Fitting Instructions



SKU

PRODUCT

T7Z801

**TAG Heavy Duty Towbar
to suit Hyundai Kona
(06/2017 - on)**



Scan for latest
version of these
instructions

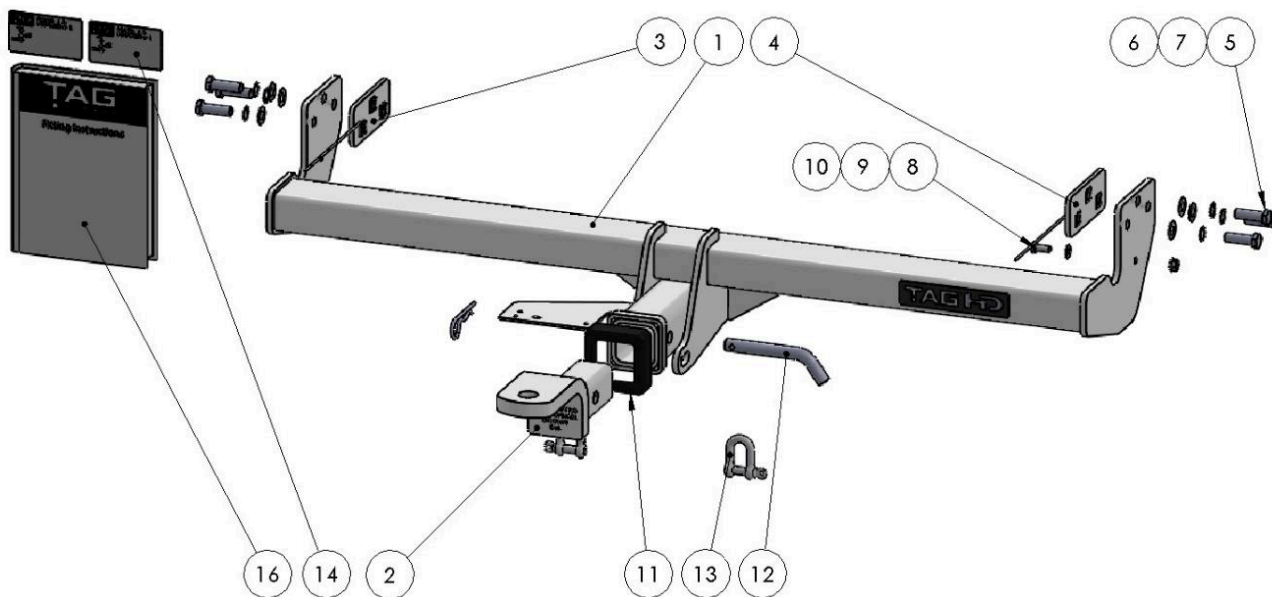
SPECIFICATIONS

- Towbar Class: Heavy Duty
- Towing Capacity: 1300kg

IN THIS GUIDE

- Fitment Instructions
- Torque Settings
- Warranty Info

Towbar Fitting Instructions



No.	DESCRIPTION	QTY	No.	DESCRIPTION	QTY
1	Welded Assembly for T7Z801	1	9	M8 Flat Washer	1
2	L4120 Ball Mount	1	10	M8x1.25 Serrated Flange Nut	1
3	M12x1.75 Nut Plate on 200mm Wire	1	11	TAG Hitch Receiver Cover	1
4	M12x1.75 Nut Plate on 200mm Wire	1	12	Class 4 Pin & Clip	1
5	M12x1.75x40 Bolt	6	13	TAG D-Shackle - 10mm	2
6	M12 Flat Washer	6	14	TAG Compliance plate	3
7	M12 Shakeproof Washer	6	15	TAG HD Sticker 150 x 33mm	1
8	M8x 20x 1.25 Bolt	1	16	Fitting Instruction	1

Step-By-Step Instructions

Warning:

- This product is for towing purposes only and must only be loaded as shown in your vehicle Owner's Manual.
- This towbar is NOT to be drilled, cut, welded, or modified in any way.
- Check behind chassis rail and body panels before drilling to ensure no hazards are present
- All load ratings shown are under the assumption your trailer has a functional braking system installed
- When installed in positions other than the one depicted in these instructions the Tow Ball Mount may interfere or obstruct certain features of your vehicle (tailgate opening, Chassis clearance, etc.)

General:

- Before fitting this towbar read fitting instructions and check installation hardware is correct.
- Check that the towbar is suitable for the vehicle and be wary of any changes to the vehicle design that may conflict with the fitting of this towbar. (Tray, Canopy, Suspension etc.)
- After drilling, blow any filings clear, remove any swarf and treat exposed metal with a rust inhibitor.
- The high tensile fasteners supplied with this product are an integral feature to achieving the specified rating, if replacement is required ensure that fasteners of the same grade (8.8) & quality are used. Contact an authorised TAG distributor or the TAG fitment centre - (07) 3208 3022 - if further information is required.

Towbar Maintenance and Care:

It is recommended, when not in use, the Tow Ball Mount assembly and class 4 Pin and Clip is stored inside the car away from moisture to prevent standing water from forming rust. Inspect to ensure, on regular basis, fasteners are torqued to the specifications below and in good condition.

Ensure that the fitting instructions are read and understood prior to fitment

Place these instructions in the vehicle's glovebox after installation is completed

Towbar Fitting Instructions



Step 1. Remove Bumper

- a) Lift tailgate and remove 2x screws.
- b) Remove 3x screws and 1 x hex head screw from each wheel arch.
- c) Remove 3x scrivets from underside of bumper DS behind wheel arch and 2x scrivets behind wheel arch on PS.
- d) Remove 2x hex head bolts from the front face of the rear panel fastening the impact beam to the panel.
- e) Disconnect the wiring harness connected to the bumper.
- f) Beginning at each wheel arch carefully unclip and remove bumper.
- g) Remove the plastic guard on the DS fastened to the chassis via 1x M6 nut. Discard nut.
- h) Trim the plastic guard as per the picture.



Step 2. Fit Towbar

- a) Insert nut plates into holes on back panel and align with holes on the outside of the chassis.
- b) Lift towbar up to the outside of the chassis rails and insert 3x M12x 40 bolts with flat & shakeproof washers. Secure loosely. Repeat on opposite side.
- c) Tighten all bolts to torque specifications included in the table.

Towbar Fitting Instructions

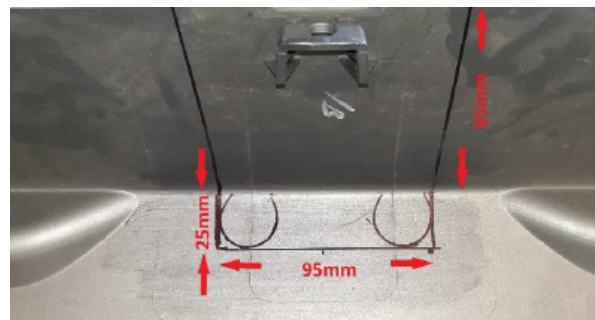


Step 3. Cut Bumper

The towbar installer is ultimately responsible for the location & quality of the bumper cut. To avoid mistakes, please use the following measurements as a guide only. We suggest making small incremental cuts and regularly test fit the bumper to ensure an accurate and tidy appearance. The additional application of rubber pinch-weld around the cut edge ensures a neat & tidy look.

To aide in measuring the bumper for cutting, the impact beam may be removed from the bumper. This can be done by the removal of 4x plastic scrivets and some of the harness. Be sure to refit all parts removed prior to refitting the bumper.

- a) Remove the centre bumper retaining tab via 1x screw and 1x plastic scrivet.
- b) Establish the centre line of the bumper.
- c) Measure and mark the bumper cut 95mm wide & 95mm from the edge to the first contour change. Mark another 25mm up toward the boot.
- d) Cut the bumper using an appropriate cutting tool. Deburr all cut edges.
- e) Refit the bumper in reverse of steps 1 a-f.
- f) Refit the DS plastic guard via 2x scrivets.
- g) Using the hole in the DS towbar endplate drill an 8mm hole in the plastic guard and fasten with the M8x 20 bolt, flat washer & flange nut.



Towbar Fitting Instructions



Step 4. Apply Door Sticker

- a) Attach plastic hitch surround to receiver.
- b) Insert ball mount into hitch receiver and secure with the pull pin and R-clip.
- c) Apply one of the compliance labels to the pillar of the driver's door.
- d) Leave the remaining label & the fitting instructions in the vehicle handbook.



Torque table for bolt tightening

Diameter	Pitch	Grade	Torque	Unit
M8	1.25	8.8	29	Nm
M10	1.25	8.8	57	Nm
M10	1.50	8.8	44	Nm
M12	1.25	8.8	101	Nm
M12	1.50	8.8	97	Nm
M12	1.75	8.8	77	Nm
M14	2.00	8.8	122	Nm
M16	2.00	8.8	190	Nm

TAG Warranty Statement

SWD warrants your TAG Towbar for its full product life under the following conditions:

- You can show proof of purchase.
- The towbar has been correctly installed by a suitably qualified installer.
- The towbar has not been modified or abused in any way and has only been used for the intended purpose.
- The towbar was not fitted second hand to your vehicle.

The extent of this warranty includes materials and workmanship used in the manufacture of the towbar and is to the equivalent value of current, full replacement cost.

Nothing stated or implied in this warranty limits in any way, the statutory rights that you may have.

To make a claim visit the original installer in the first instance or, if you are unable to or are not satisfied with their help, then contact us direct by phone on 1300 669122 or visit www.swd.com.au