

Fitting Instructions



SKU

PRODUCT

T7Z828

**TAG Heavy Duty Towbar to suit
Hyundai Staria (06/2021 - on)**



Scan for latest
version of these
instructions

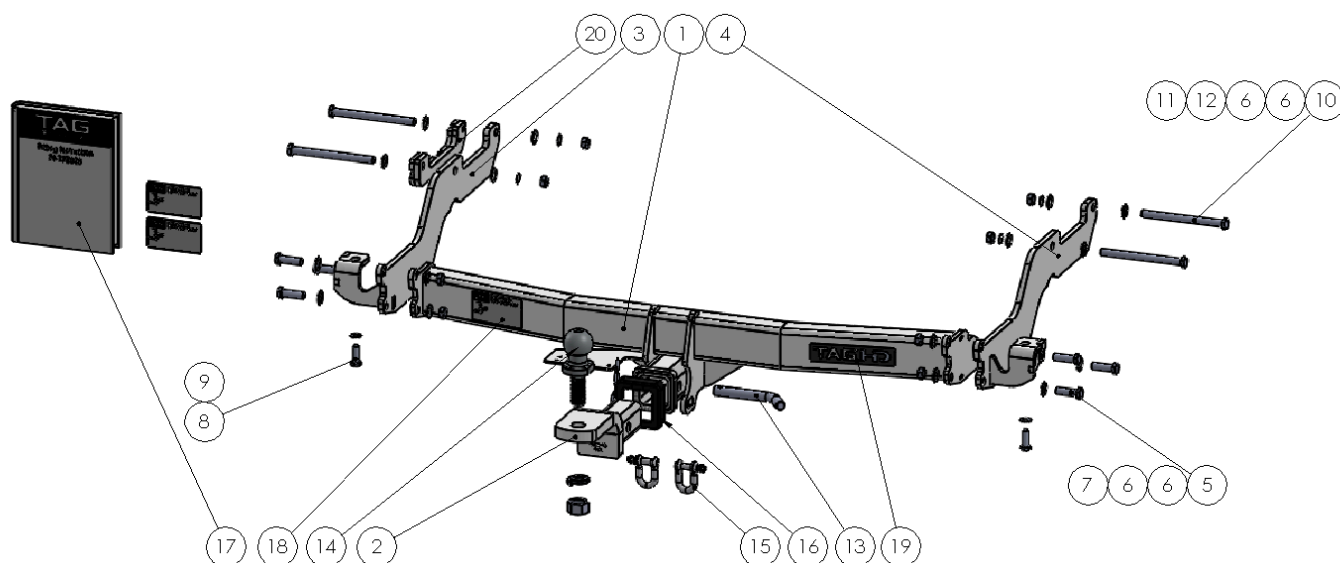
SPECIFICATIONS

- Towbar Class: Heavy Duty
- Towing Capacity: 2500kg

IN THIS GUIDE

- Fitment Instructions
- Torque Settings
- Warranty Info

Towbar Fitting Instructions



Spanners, Sockets, Trim Removal Tool, Torque wrench.

ITEM NO.	DESCRIPTION	QTY.	ITEM NO.	DESCRIPTION	QTY.
1	Main Bar Assembly for T7Z828	1	11	M12X1.75 Nut	4
2	TAG Tow Ball Mount - L4120	1	12	M12 Shakeproof Washer	4
3	End Plate Assembly	1	13	Class 4 Pin & Clip	1
4	DS End Plate Assembly	1	14	50mm TAG Tow Ball	1
5	M12x1.25x40 Bolt	6	15	TAG D-Shackle - 10mm Galvanised	2
6	M12 Flat Washer Zinc Clear	20	16	Cover Hitch Receiver Collar TAG	1
7	M12x1.25 Nut	6	17	Fitting Instruction	1
8	M10X40X1.25 Bolt	2	18	TAG Compliance plate	3
9	M10 Flat Washer	2	19	TAG HD Sticker 150 x 33mm	1
10	M12x1.75x150 Bolt	4	20	Chassis Spacer Assembly	1

Step-By-Step Instructions

Warning:

- This product is for towing purposes only and must only be loaded as shown in your vehicle Owner's Manual.
- This towbar is NOT to be drilled, cut, welded, or modified in any way.
- Check behind chassis rail and body panels before drilling to ensure no hazards are present
- All load ratings shown are under the assumption your trailer has a functional braking system installed
- When installed in positions other than the one depicted in these instructions the Tow Ball Mount may interfere or obstruct certain features of your vehicle (tailgate opening, Chassis clearance, etc.)

General:

- Before fitting this towbar read fitting instructions and check installation hardware is correct.
- Check that the towbar is suitable for the vehicle and be wary of any changes to the vehicle design that may conflict with the fitting of this towbar. (Tray, Canopy, Suspension etc.)
- After drilling, blow any filings clear, remove any swarf and treat exposed metal with a rust inhibitor.
- The high tensile fasteners supplied with this product are an integral feature to achieving the specified rating, if replacement is required ensure that fasteners of the same grade (8.8) & quality are used. Contact an authorised TAG distributor or the TAG fitment centre - (07) 3208 3022 - if further information is required.

Towbar Maintenance and Care:

It is recommended, when not in use, the Tow Ball Mount assembly and class 4 Pin and Clip is stored inside the car away from moisture to prevent standing water from forming rust. Inspect to ensure, on regular basis, fasteners are torqued to the specifications below and in good condition.

Ensure that the fitting instructions are read and understood prior to fitment

Place these instructions in the vehicle's glovebox after installation is completed

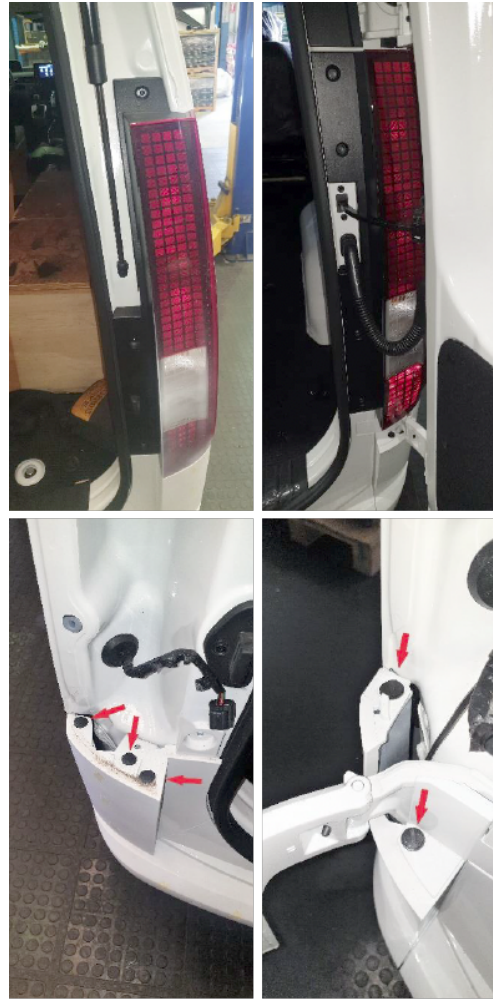
Towbar Fitting Instructions



Step 1. Remove Bumper

Note: Removal of bumper applies to both lift-up tail gate (TG) & barn door (BD) models.

- a. Open door(s) and remove 4x phillips screws from each taillight assembly and gently remove rearward from body. Disconnect wiring. Remove plastic scrivets from the taillight cavity. (3/ side TG) (2/side BD).
- b. Remove 1x phillips screw and 2x scrivets from inside each wheel arch.
- c. Remove 3x scrivets from behind each wheel arch attaching bumper to mud guard.
- d. Disconnect large sensor harness from inside rear LHS of bumper.
- e. Remove 2x M10 bolts (14mm socket) fastening the bumper to the chassis rail. Discard 2 bolts.
- f. Use masking tape to protect paint on (BD) models for bumper removal as pictured.
- g. Beginning at each wheel arch, carefully peel the plastic bumper away from the body. Pull rearwards firmly below door area as bumper clips onto body.
- h. Release the harness from the foam insert via Xmas tree style fasteners.
- i. Remove 3x L-shaped plastic brackets from the bumper retaining the foam insert. Discard the centre L-shaped bracket & the foam insert.
- j. Remove the exhaust from the 2x rear-most hangers.

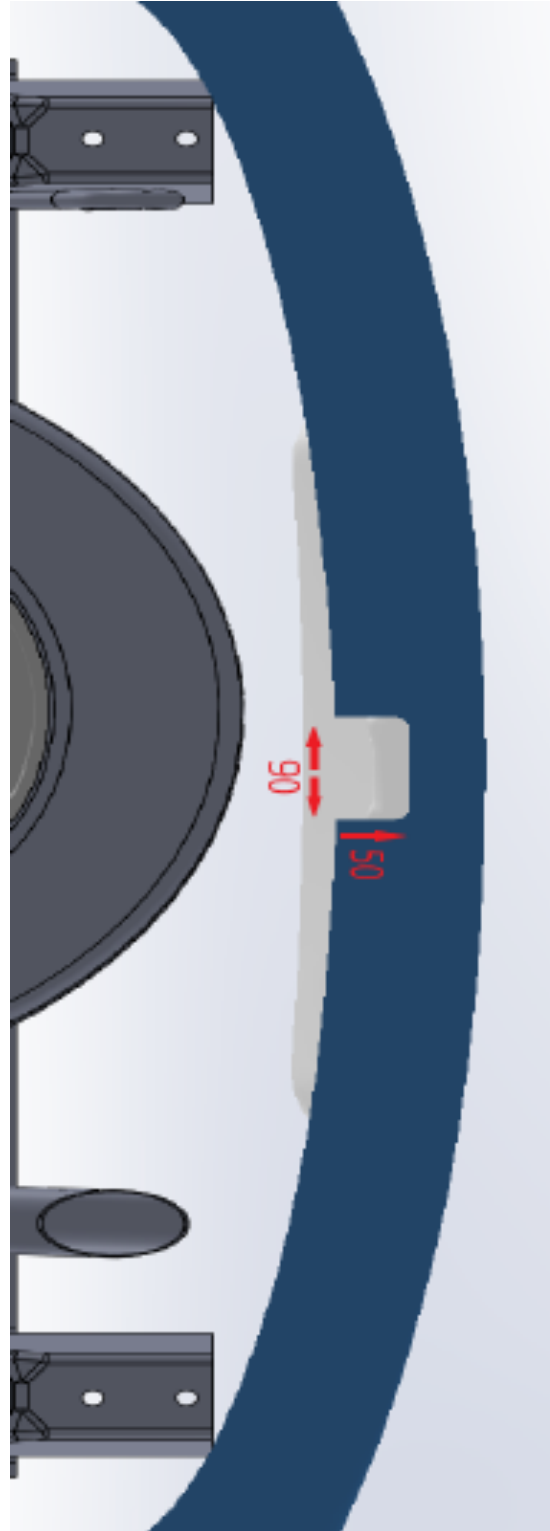


Step 2. Cut Bumper

The towbar installer is ultimately responsible for the location & quality of the bumper cut. To avoid mistakes, please use the following measurements as a guide only. We suggest making small incremental cuts and regularly test fit the bumper to ensure an accurate and tidy appearance. The additional application of rubber pinch-weld around the cut edge ensures a neat & tidy look.

- a. Establish the centreline of the bumper & mark.
- b. Measure & mark 45mm either side of the centreline and 50mm deep.
- c. Cut the bumper using an air saw or similar device. Deburr all cut edges.
- d. Reinstall the bumper in reverse of steps 1a-g.

Note: do not re-install the rear-most M10 crash-bar bolts on each side.



Towbar Fitting Instructions



Step 3. Fit Towbar

a. Assemble the towbar parts (Main bar, & Endplates) **off the vehicle**, aligning endplates to main bar end caps. Torque all bolts to the specification on page 2.

b. Insert 2x M1 2x1.75x150 bolts with flat washers into the chassis holes from the outside till end of bolt is level with inside of chassis.

c. Lift the towbar assembly by swinging DS in toward front and allowing PS to swing up to chassis. Push M12x 150mm bolts through to hold bar in place.

d. On PS, pull bolts back individually to allow the 18mm spacer to be inserted between the end plate & chassis. Loosely fasten all bolts with flat, shake proof washers & nuts.

e. Insert M10x 1.25x 40 bolts with flat washers into each end plate outrigger and loosely fasten to underside of bumper mounting bracket/ chassis. (Rear-most hole).

f. Tighten the 2x M10x 1.25x 40 bolts to the torque specification on page 2.

g. Re-install exhaust onto hangers.

h. Use cable ties to fasten the sensor harness to the main bar.



Torque table for bolt tightening

Diameter	Pitch	Grade	Torque	Unit
M8	1.25	8.8	29	Nm
M10	1.25	8.8	57	Nm
M10	1.50	8.8	44	Nm
M12	1.25	8.8	101	Nm
M12	1.50	8.8	97	Nm
M12	1.75	8.8	77	Nm
M14	2.00	8.8	122	Nm
M16	2.00	8.8	190	Nm
Imperial Bolt Torque Settings				
3/8"	UNC	8	44.75	Nm
1/2"	UNC	8	108.5	Nm

TAG Warranty Statement

SWD warrants your TAG Towbar for its full product life under the following conditions:

- You can show proof of purchase.
- The towbar has been correctly installed by a suitably qualified installer.
- The towbar has not been modified or abused in any way and has only been used for the purpose intended.
- The towbar was not fitted second hand to your vehicle.

The extent of this warranty includes materials and workmanship used in the manufacture of the towbar and is to the equivalent value of current, full replacement cost.

Nothing stated or implied in this warranty limits in any way, the statutory rights that you may have.

To make a claim visit the original installer in the first instance or, if you are unable to or are not satisfied with their help, then contact us direct by phone on 1300 669122 or visit www.swd.com.au