

V Fitting Instructions



SKU

PRODUCT

T4U652

**TAG Heavy Duty Towbar to suit
Suzuki Vitara (09/2015 - 10/2018)**



Example Image Only

Towbars are designed specifically for each vehicle and may differ from the example above



Scan for latest version of these instructions

SPECIFICATIONS

- Towbar Class: Heavy Duty
- Towing Capacity: 1200kg

IN THIS GUIDE

- Fitment Instructions
- Torque Settings
- Warranty Info

Step-By-Step Instructions

Warning:

- This product is for towing purposes only and must only be loaded as shown in your vehicle Owner's Manual.
- This towbar is NOT to be drilled, cut, welded, or modified in any way.
- Check behind chassis rail and body panels before drilling to ensure no hazards are present
- All load ratings shown are under the assumption your trailer has a functional braking system installed
- When installed in positions other than the one depicted in these instructions the Tow Ball Mount may interfere or obstruct certain features of your vehicle (tailgate opening, Chassis clearance, etc.)

General:

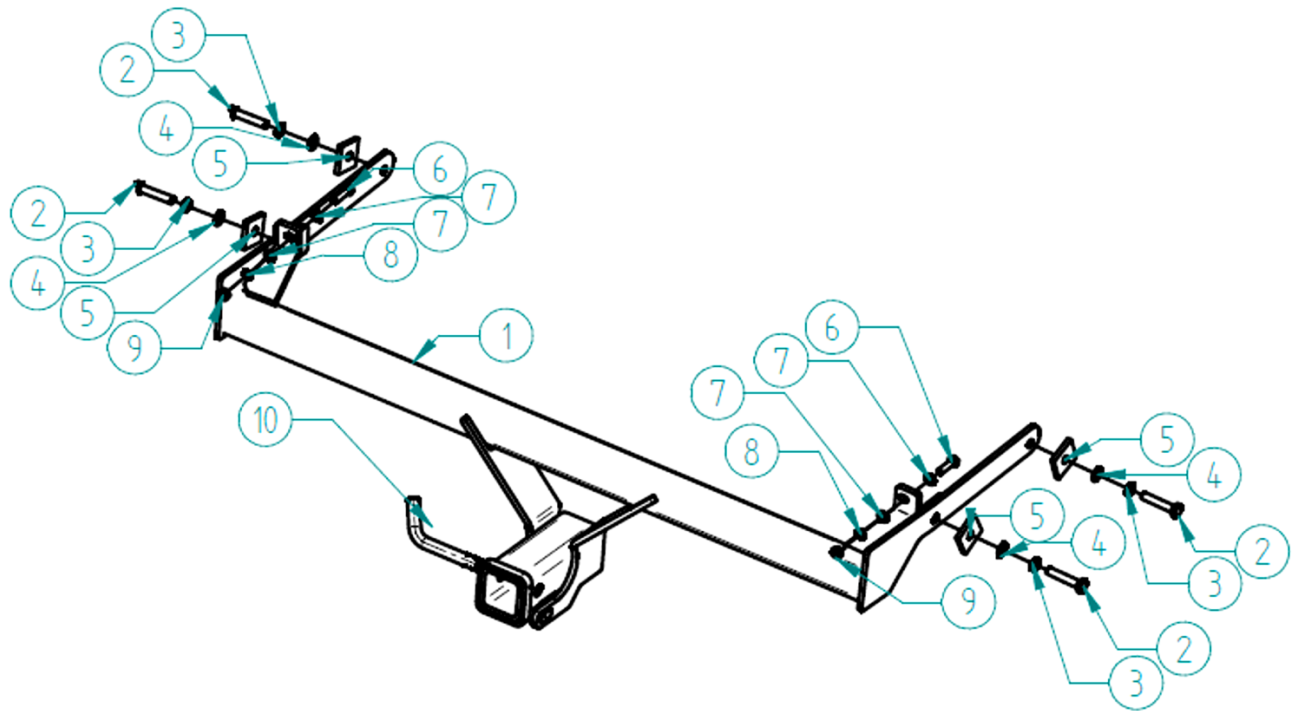
- Before fitting this towbar read fitting instructions and check installation hardware is correct.
- Check that the towbar is suitable for the vehicle and be wary of any changes to the vehicle design that may conflict with the fitting of this towbar. (Tray, Canopy, Suspension etc.)
- After drilling, blow any filings clear, remove any swarf and treat exposed metal with a rust inhibitor.
- The high tensile fasteners supplied with this product are an integral feature to achieving the specified rating, if replacement is required ensure that fasteners of the same grade (8.8) & quality are used. Contact an authorised TAG distributor or the TAG fitment centre - (07) 3208 3022 - if further information is required.

Towbar Maintenance and Care:

It is recommended, when not in use, the Tow Ball Mount assembly and class 4 Pin and Clip is stored inside the car away from moisture to prevent standing water from forming rust. Inspect to ensure, on regular basis, fasteners are torqued to the specifications below and in good condition.

**Ensure that the fitting instructions are read and understood prior to fitment
Place these instructions in the vehicle's glovebox after installation is completed**

Towbar Fitting Instructions



Tools required: Spanners, Sockets, Screwdriver, Torque wrench

| Item Number | Item | Quantity |
|-------------|-----------------------|----------|
| 1 | Towbar | 1 |
| 2 | M10x35 Bolt | 4 |
| 3 | M10 Shakeproof Washer | 4 |
| 4 | M10 Flat Washer | 4 |
| 5 | 40x40mm Top Plate | 4 |
| 6 | M8x35 Bolt | 2 |
| 7 | M8 Flat Washer | 4 |
| 8 | M8 Shakeproof Washer | 2 |
| 9 | M8 Nut | 2 |
| 10 | Pin | 4 |

Step 1. Remove Bumper

- a. Lift tail gate.
- b. Remove 4 screws each side. 2x screws fastening the taillight assemblies & 2 screws fastening the bumper.
- c. Carefully remove & disconnect the taillights.
- d. Remove 1x plastic scrivet from each wheel arch.
- e. Remove 2x scrivet & 1x screw from the plastic wheel arch trim on each side.
- f. Carefully peel the wheel arch trim up toward the rear door to reveal 1x screw & 1x scrivet per side. Remove these fasteners.
- g. Beginning at each wheel arch carefully peel the bumper away from the body to remove bumper from vehicle.
- h. Disconnect any harnesses.
- i. Remove & discard the impact beam.

Step 2. Fit Towbar

- a. Insert sidearms of towbar into holes on rear panel & align with holes in the sides of the chassis. Secure loosely with M10x 35 bolts with flat square plates and washers.
- b. Insert M8 bolts with washers through inner holes of towbar and rear panel and secure loosely with nuts & washers.
- c. Tighten all bolts to torque specification on last page.

Step 3. Cut Bumper

The towbar installer is ultimately responsible for the location & quality of the bumper cut. To avoid mistakes, please use the following measurements as a guide only. We suggest making small incremental cuts and regularly test fit the bumper to ensure an accurate and tidy appearance. The additional application of rubber pinch-weld around the cut edge ensures a neat & tidy look.

- a. Establish the centreline of the bumper. Measure 45mm either side of the centreline 75mm up from the bottom edge.

Towbar Fitting Instructions



- b. Cut the bumper with an air saw or similar. Deburr all cut edges.
- c. Refit bumper in reverse of steps 1a-h.
- d. Attach the plastic hitch surround.
- e. Insert ball mount into receiver & secure with pull pin & clip.

Step 4. Fit Ball Mount and Apply compliance Label

- a. Apply one of the compliance labels to the pillar of the driver's door. Leave the remaining label & the fitting instructions in the vehicle handbook...



Towbar Fitting Instructions



Torque table for bolt tightening

| Diameter | Pitch | Grade | Torque | Unit |
|--------------------------------------|-------|-------|--------|------|
| M8 | 1.25 | 8.8 | 29 | Nm |
| M10 | 1.25 | 8.8 | 57 | Nm |
| M10 | 1.50 | 8.8 | 44 | Nm |
| M12 | 1.25 | 8.8 | 101 | Nm |
| M12 | 1.50 | 8.8 | 97 | Nm |
| M12 | 1.75 | 8.8 | 77 | Nm |
| M14 | 2.00 | 8.8 | 122 | Nm |
| M16 | 2.00 | 8.8 | 190 | Nm |
| Imperial Bolt Torque Settings | | | | |
| $\frac{3}{8}$ " | UNC | 8 | 44.75 | Nm |

TAG Warranty Statement

SWD warrants your TAG Towbar for its full product life under the following conditions:

- You can show proof of purchase.
- The towbar has been correctly installed by a suitably qualified installer.
- The towbar has not been modified or abused in any way and has only been used for the intended purpose.
- The towbar was not fitted second hand to your vehicle.

The extent of this warranty includes materials and workmanship used in the manufacture of the towbar and is to the equivalent value of current, full replacement cost.

Nothing stated or implied in this warranty limits in any way, the statutory rights that you may have.

To make a claim visit the original installer in the first instance or, if you are unable to or are not satisfied with their help, then contact us direct by phone on 1300 669122 or visit www.swd.com.au