

Fitting Instructions



SKU

PRODUCT

T4P653

**TAG Heavy Duty Towbar to
suit Volkswagen Tiguan
(01/2016 - on)**



Scan for latest
version of these
instructions

SPECIFICATIONS

- Towbar Class: Heavy Duty
- Towing Capacity: 2500kg

IN THIS GUIDE

- Fitment Instructions
- Torque Settings
- Warranty Info

Towbar Fitting Instructions



Step-By-Step Instructions

Step-By-Step Instructions

Warning:

- This product is for towing purposes only and must only be loaded as shown in your vehicle Owner's Manual.
- This towbar is NOT to be drilled, cut, welded, or modified in any way.
- Check behind chassis rail and body panels before drilling to ensure no hazards are present
- All load ratings shown are under the assumption your trailer has a functional braking system installed
- When installed in positions other than the one depicted in these instructions the Tow Ball Mount may interfere or obstruct certain features of your vehicle (tailgate opening, Chassis clearance, etc.)

General:

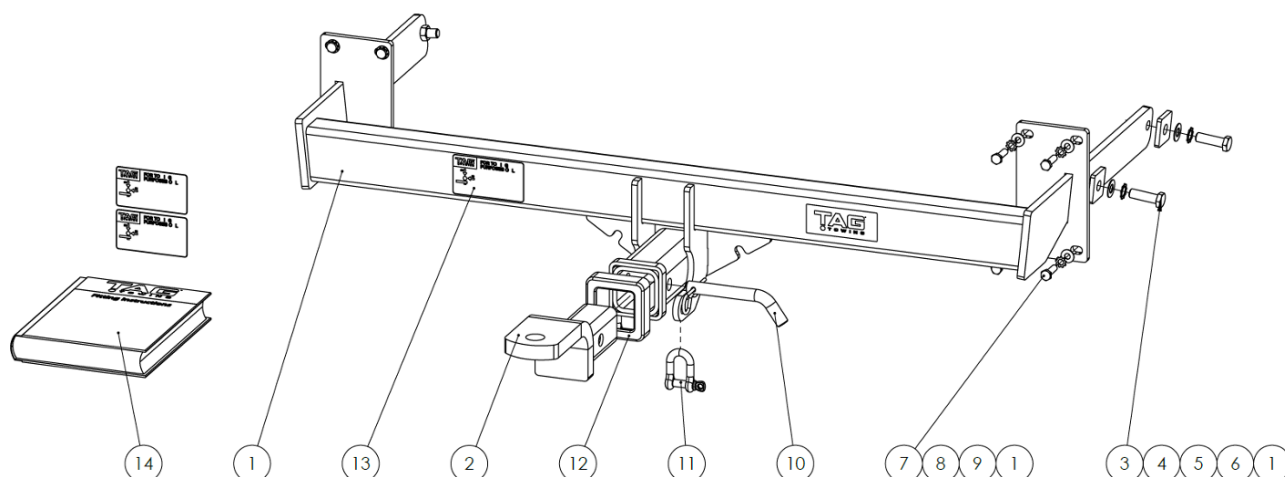
- Before fitting this towbar read fitting instructions and check installation hardware is correct.
- Check that the towbar is suitable for the vehicle and be wary of any changes to the vehicle design that may conflict with the fitting of this towbar. (Tray, Canopy, Suspension etc.)
- After drilling, blow any filings clear, remove any swarf and treat exposed metal with a rust inhibitor.
- The high tensile fasteners supplied with this product are an integral feature to achieving the specified rating, if replacement is required ensure that fasteners of the same grade (8.8) & quality are used. Contact an authorised TAG distributor or the TAG fitment centre - (07) 3208 3022 - if further information is required.

Towbar Maintenance and Care:

It is recommended, when not in use, the Tow Ball Mount assembly and class 4 Pin and Clip is stored inside the car away from moisture to prevent standing water from forming rust. Inspect to ensure, on regular basis, fasteners are torqued to the specifications below and in good condition.

**Ensure that the fitting instructions are read and understood prior to fitment
Place these instructions in the vehicle's glovebox after installation is completed**

Towbar Fitting Instructions



Tools Required: Spanners, Sockets, Screwdriver, Torque wrench

ITEM NO.	DESCRIPTION	QTY.	ITEM NO.	DESCRIPTION	QTY.
1	Towbar Assembly – T4P653	1	6	M12 Bolt	4
2	Class 4 Pin & Clip	1	7	M8 Flat Washer	8
3	Top Plate	4	8	M8 Shakeproof Washer	8
4	M12 Flat Washer	4	9	M8 Bolt	8
5	M12 Shakeproof Washer	4	10	Ball Mount – L4120	1

Towbar Fitting Instructions



Step 1. Remove bumper, Remove impact beam

- a. Remove trim inside boot and remove plastic screw securing taillight assembly. Repeat for opposite side of vehicle.
- b. Remove and disconnect rear taillight assembly. Repeat for opposite side of vehicle.
- c. Remove 3 x screws from within rear wheel arch. Repeat for opposite side of vehicle.
- d. Remove 1 x screw from underside of bumper rear of wheel arch. Repeat for opposite side of vehicle
- e. Partially unclip rear wheel arch trim; remove 1 x screw from rear bumper, next to rear wheel arch.
- f. Remove 4 x scrivets from underside of bumper.
- g. Remove and discard 7 x hex head screws (3 on left and 4 on right) from impact beam; remove and discard impact beam.

Step 2. Fit Towbar

- a. Insert endplates into chassis rail and secure with the 8 X M8 Bolt sets on the rear panel
- b. Secure the endplates too the chassis rails
- c. Torque all fasteners to their specified values (back page).

Step 3. Fit Ball Mount and Apply Door Sticker

- a. Attach plastic hitch surround to receiver.
- b. Insert ball mount into hitch receiver and secure with the pull pin and R-clip.
- c. Apply one of the compliance labels to the pillar of the driver's door.
- d. Leave the remaining label & the fitting instructions in the vehicle handbook.



Towbar Fitting Instructions



Torque table for bolt tightening

Metric GRADE 8.8	UNC GRADE 8
M6 – 12.5 Nm	3/8 – 50 Nm
M8 – 30 Nm	1/2 – 125 Nm
M10 – 60 Nm	5/8 – 245 Nm
M12 – 103 Nm	
M14 – 167 Nm	
M16 – 270 Nm	

TAG Warranty Statement

SWD warrants your TAG Towbar for its full product life under the following conditions:

- You can show proof of purchase.
- The towbar has been correctly installed by a suitably qualified installer.
- The towbar has not been modified or abused in any way and has only been used for the purpose intended.
- The towbar was not fitted second hand to your vehicle.

The extent of this warranty includes materials and workmanship used in the manufacture of the towbar and is to the equivalent value of current, full replacement cost.

Nothing stated or implied in this warranty limits in any way, the statutory rights that you may have.

To make a claim visit the original installer in the first instance or, if you are unable to or are not satisfied with their help, then contact us direct by phone on 1300 669122 or visit www.swd.com.au